

Index

No.	Part No.		Description
1.	53-300362-000	N.A.	Lens (Red)
	53-300388-000	R.O.	LED Ball Light Lens (Red)- 1998-Present
2.	53-300072-000		Grommet
3.	53-300091-000		Lamp Housing
4.	53-300092-000	N.A.	Baffle
5.	53-300100-000	N.A.	Ball Light Assembly (Index nos. 3,4,7,9 & 10)
	53-861665-000	R.O.	Pkg. LED Ball Light Assembly (1993-1998) - also order: 53-300054-000 Lens, 53-861666-000 1st & 2nd Ball Light LED and 53-900217-000 Instructions 1st & 2nd Ball Light LED.

LANE NUMERALS (DIE CUT WHITE)

6.	53-300103-000	N.A.	Lane Numerals (0-9)
	53-300113-001		#1
	53-300113-002		#2
	53-300113-003		#3
	53-300113-004		#4
	53-300113-005		#5
	53-300113-006		#6 or #9
	53-300113-007		#7
	53-300113-008		#8
	53-300113-010	N.A.	#0
7.	11-615501-000		Toggle Switch
8.	11-176000-001		Keps Nut (1/4-20)
9.	11-675582-000		Lamp #624
10.	10-703501-000	N.A.	Lamp Socket Assembly w/Wire
	**	R.O.	See Note

AMF ADAPTER KITS

*53-860247-000	Pkg. Masking Unit Adapter Kit - (SS) 8270
*53-860248-000	Pkg. Adapter Kit - 8270
*53-860249-000	Pkg. Masking Unit Adapter Kit - (MP) 8270 MP w/Round Plug
*11-675523-000	Lamp - AMF 13.5V

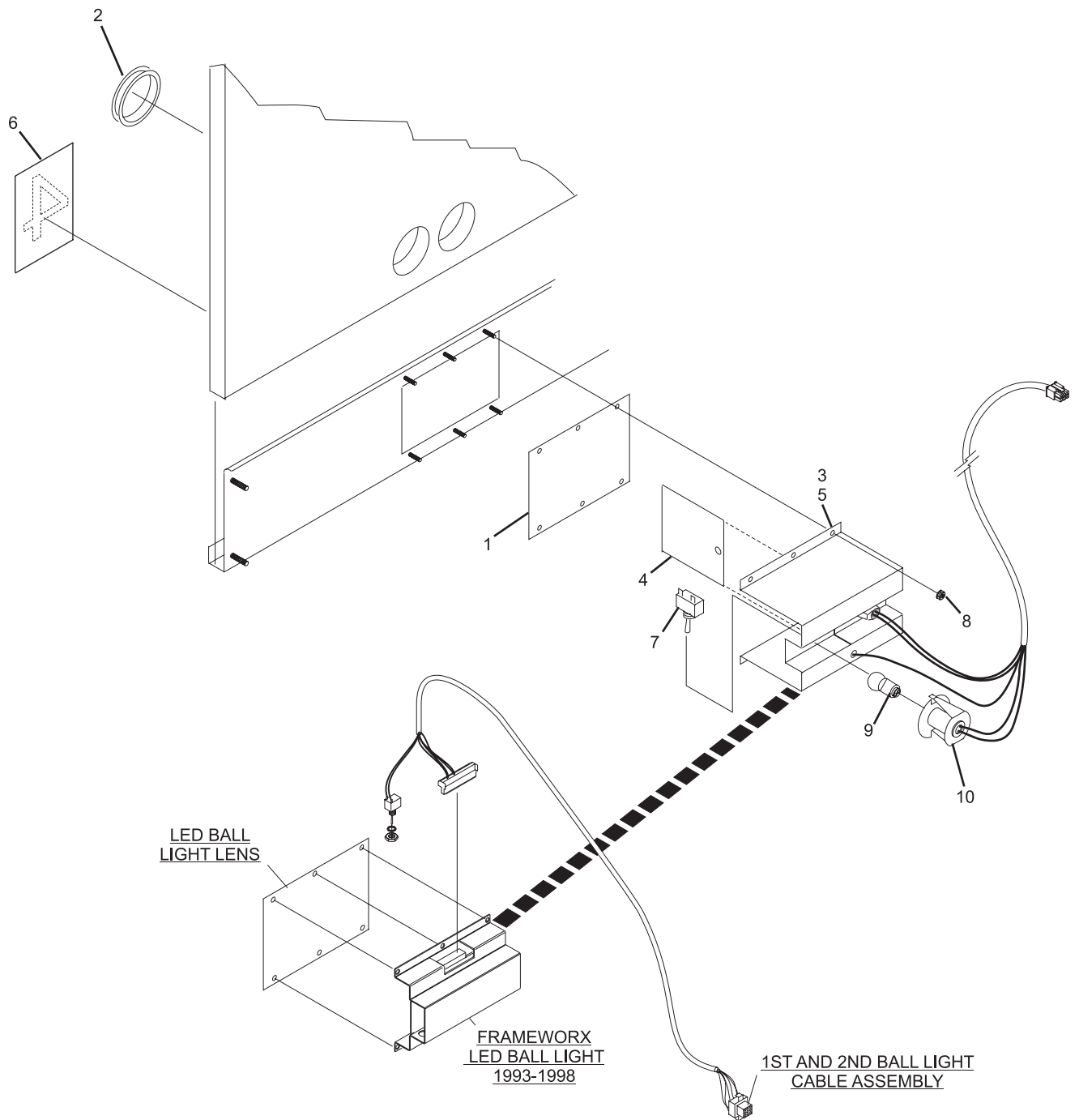
* = *Not Illustrated*

** *When originally replacing 10-703501-000 order: 53-861665-000 Pkg. Ball Light Assy LED 1993-1998, 53-300054-000 Lens, 53-861666-000 Pkg. - Cable, 1st & 2nd Ball Light LED and 53-900217-000 Instructions 1st & 2nd Ball Light LED.*

N.A. = No Longer Available

R.O. = Replacement Option

Frameworkx Ball Light Assembly



Framework Ball Light Assembly