

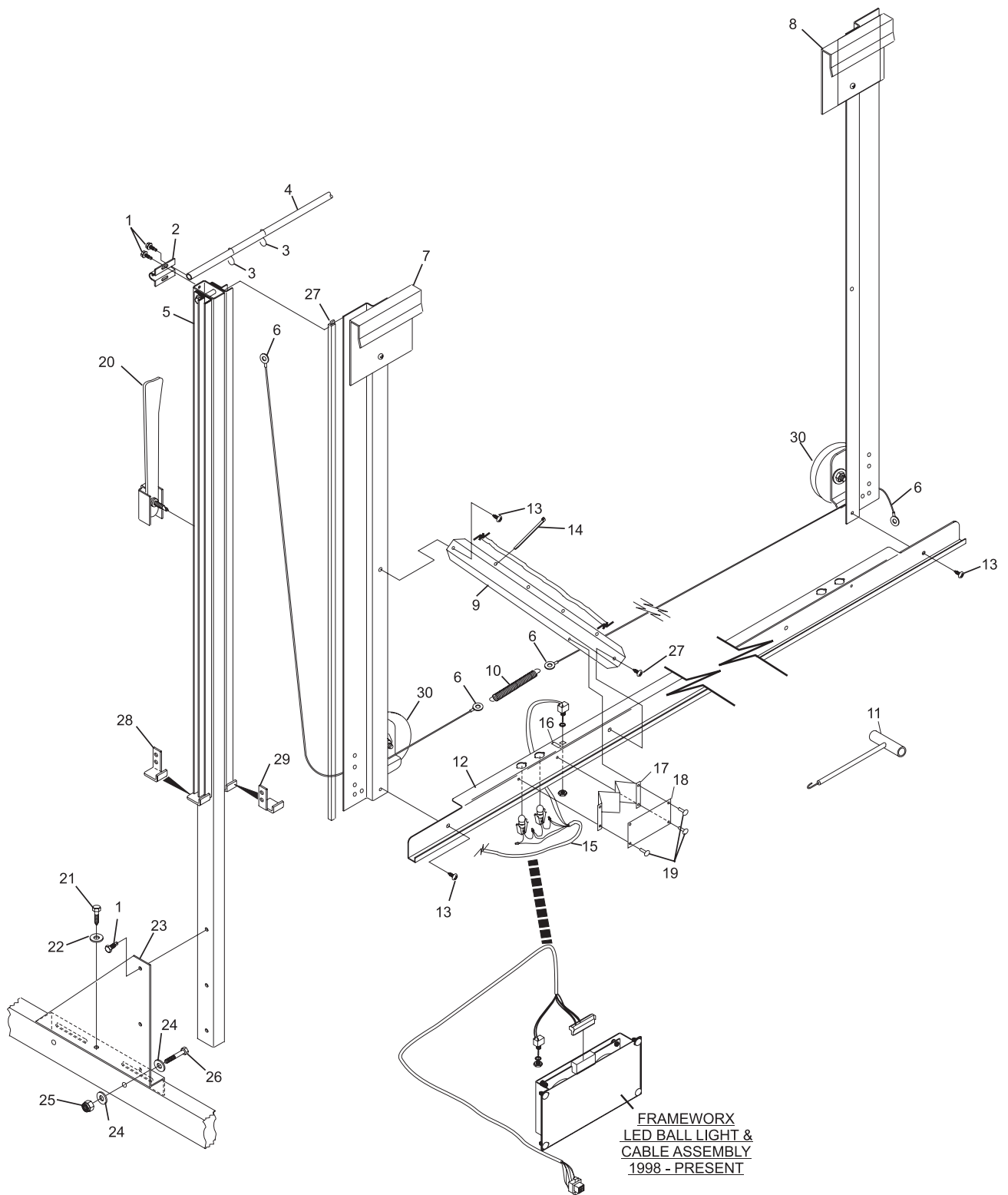
Index No.	Part No.		Description
1.	11-010812-001	N.A.	Hex Washer Head Self Drilling Screw (1/4-14 x 3/4")
2.	53-300337-000		Clamp
3.	11-045310-000		"S" Hook (2.38")
4.	53-300335-002	N.A.	Cross Lane Tube (2 lane)
	53-300334-001	N.A.	Cross Lane Tube (1 lane)
5.	53-300368-000		Lower Vertical Support Assembly
6.	*53-861094-000		Replacement Kit - Pulley Cables and Spring (2 lane)
	*53-861095-000		Replacement Kit - Pulley Cables and Spring (1 lane)
7.	53-300370-000		L.H. Z-Bar Assembly
8.	53-300369-000		R.H. Z-Bar Assembly
9.	53-300347-000		Brace
10.	*53-861096-000		Spring (Pkg. of 10) must order item 11 Spring Puller to install Springs
11.	11-112131-000		Spring Puller Tool
12.	53-300346-000		Cross Channel (1 lane)
	53-300327-000		Cross Channel (2 lane)
13.	11-006180-001		Button Head C.R. Screw (1/4-20 x 5/8")
14.	11-603108-000	N.A.	Cable Tie (3-5/8")
15.	53-861079-000	N.A.	First to Second Ball Light Cable Assembly
	**53-861664-000	R.O.	Pkg. LED Ball Light and Cable Assembly 1998-PRESENT
	**53-861666-000	R.O.	Pkg. LED 1st and 2nd Ball Light Cable Assembly
16.	53-300372-000	N.A.	ON/OFF Label
17.	53-300320-000		Light Shield
18.	53-300388-000		Lens (1998-PRESENT)
19.	53-300363-000		Tree Fasteners
20.	53-300373-000		Latch Assembly
21.	11-070545-001	N.A.	Lag Screw (5/16 x 2")
22.	11-191012-001		Flat Washer (5/16)
23.	53-300332-000	N.A.	Support Gusset
24.	11-190552-001	N.A.	Fender Washer (1-1/4 OD x 3/8 ID)
25.	11-170009-001		Hex Nut Nylock (5/16-18)
26.	11-001273-001		Screw (5/16-18 x 2-1/4")
27.	53-300356-000		Edge Guard (part of # 7/8 Z-Bar)
28.	53-300342-000		R.H. Bottom Stop
29.	53-300341-000		L.H. Bottom Stop
30.	53-861097-000		Cord Reel
31.	*53-860247-000		Masking Unit Adapter, AMF (ss) 8270 - Kit
32.	*53-860248-000		Adapter, AMF 8270 - Kit
33.	*53-860849-000		Masking Unit Adapter, (mp) 8270 MP w/Round Plug - Kit
34.	*11-675523-000		Lamp AMF (13.5V)

* = Not Illustrated

** When originally replacing 53-861079-000 order **53-861664-000** Pkg. LED Ball Light Assembly-1998 to Present, **53-861666-000** Pkg. LED 1st and 2nd Ball Light Cable Assembly and **53-900217-000** Installation Instructions Must replace both when replacing 53-861079-000.

N.A. = No Longer Available

Frameworkx Masking Unit



Framework Masking Unit