

Index

No.	Part No.	Description
1.	11-082062-001	N.A. C.R. Rd. Hd. Screw (#8-15 x 1/2")
<u>CORNER MOLDING</u>		
2.	53-200891-002	N.A. 133"
	53-200891-003	N.A. 12"
	N.A.	24"
	53-200891-005	N.A. 36"
	N.A.	48"
	N.A.	72"
	53-200891-008	N.A. 96"
	N.A.	73"
<u>UPPER FACE SHEET</u>		
3.	N.A.	12" x 9-1/2" Wide
	N.A.	24" x 9-1/2" Wide
	N.A.	36" x 9-1/2" Wide
	N.A.	48" x 9-1/2" Wide
	N.A.	72" x 9-1/2" Wide
	N.A.	96" x 9-1/2" Wide
	N.A.	73" x 9-1/2" Wide
	53-200858-017	133" x 9-1/2" Wide
<u>TRIM MOLDING</u>		
4.	53-200862-002	N.A. 133"
	N.A.	12"
	53-200862-004	N.A. 24"
	N.A.	36"
	53-200862-006	N.A. 48"
	N.A.	72"
	53-200862-008	N.A. 96"
	N.A.	73"
5.	53-860247-000	Adaptor Kit for AMF 8270 Pinspotter to Action Set Masking Unit
6.	11-680204-000	N.A. Connector Housing
7.	11-680301-000	N.A. Terminal
	57-860031-00	R.O. Terminal - Female (Pkg. of 20)
8.	53-200777-000	Relay Chassis Action Set Assembly (AMF 8270)
9.	N.A.	Connector
10.	11-612652-000	N.A. Contact
11.	N.A.	Guide Pin
12.	N.A.	Guide Socket
13.	11-675523-000	Lamp (#68)
14.	N.A.	Solderless Connector
15.	N.A.	Action Set Cable Assy. (AMF 8270-SS)
16.	53-860248-000	Adaptor Kit for AMF 8270-SS Pinspotter to Action Set Masking Unit
17.	53-860246-000	N.A. Adaptor Kit for AMF 8230 Pinspotter to Action Set Masking Unit
18.	N.A.	Dbl. Tab Spade Adaptor
19.	11-612253-000	Faston Connector
20.	53-200896-000	N.A. Jumper (AMF 8230)

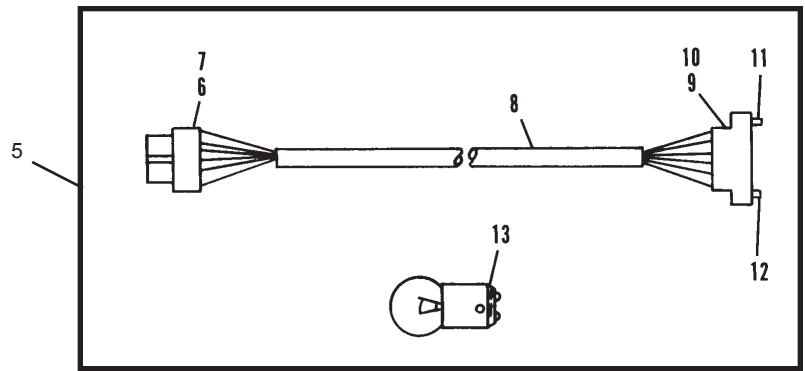
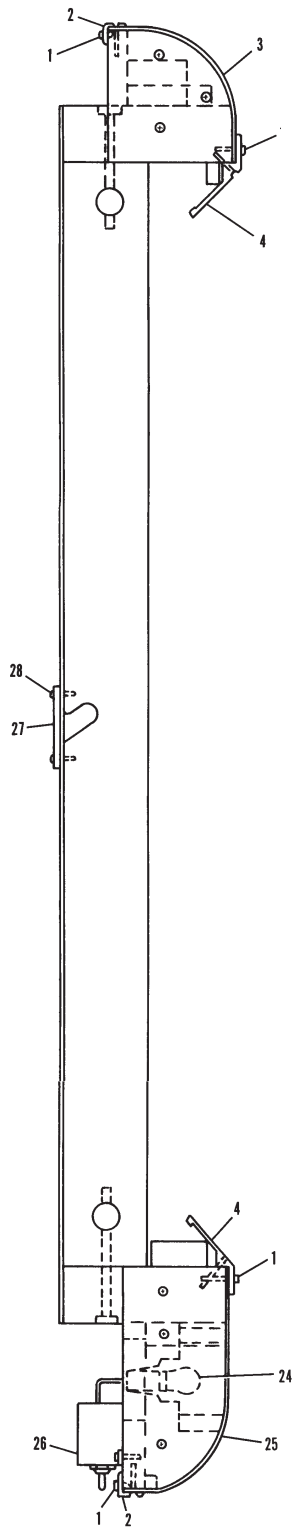
21. 53-200776-000 N.A. Action Set Cable Assy. (AMF 8230)

Index

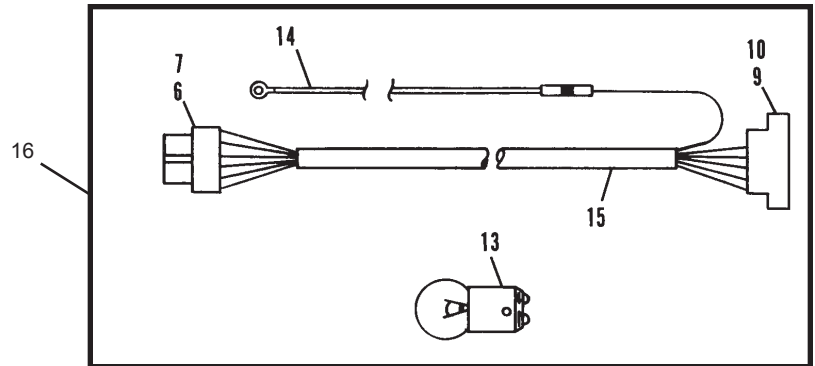
No.	Part No.	Description
<u>LANE NUMERALS (WHITE W/BLACK TRIM)</u>		
22.	53-300113-002	#2
	53-300113-003	#3
	53-300113-004	#4
	53-300113-005	#5
	53-300113-006	#6 or #9
	53-300113-007	#7
	53-300113-008	#8
	53-300113-009	#0
	53-300113-001	#1
<u>LANE NUMERALS (SOLID BLACK)</u>		
23.	53-300113-002	#2
	53-300113-003	#3
	53-300113-004	#4
	53-300113-005	#5
	53-300113-006	#6 or #9
	53-300113-007	#7
	53-300113-008	#8
	53-300113-009	#0
	53-300113-001	#1
24.	11-300113-000	N.A. Lamp (#624)
<u>LOWER FACE SHEET</u>		
25.	N.A.	12" x 12" Wide
	N.A.	24" x 12" Wide
	N.A.	36" x 12" Wide
	N.A.	48" x 12" Wide
	N.A.	72" x 12" Wide
	N.A.	96" x 12" Wide
	53-200853-000	133" x 12" ("Brunswick" and Lights)
	53-200853-002	N.A. 133" x 12" (w/ Crown)
	*53-201043-000	N.A. 133" x 12" (Plain)
26.	N.A.	Strike & Ball Light Harness
27.	N.A.	Retaining Strap
28.	N.A.	C.R. Truss Hd. Screw (#10-12 x 1")

N.A. = No Longer Available

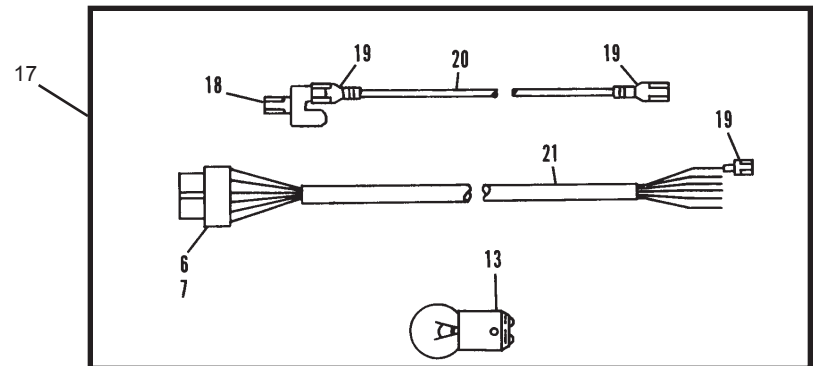
* Available as a private label. Call 1-800-YES-BOWL for Details.



ADAPTER KIT FOR AMF 82-70 PINSPOTTER



ADAPTER KIT FOR AMF 82-70-SS PINSPOTTER



ADAPTER KIT FOR AMF 82-30 PINSPOTTER

