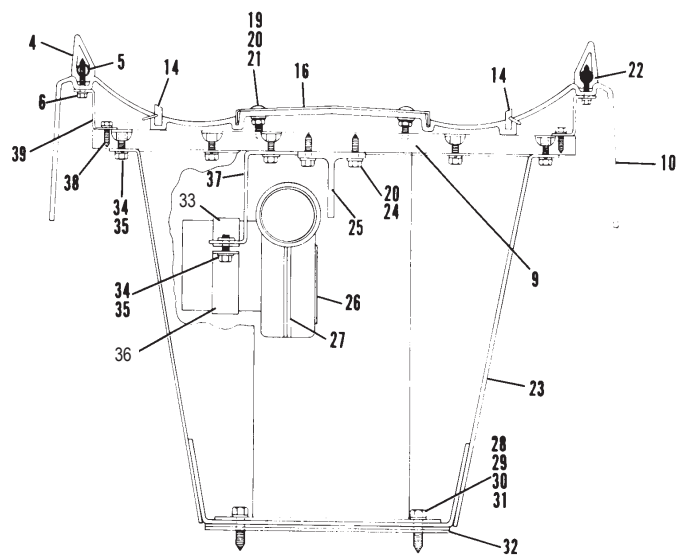
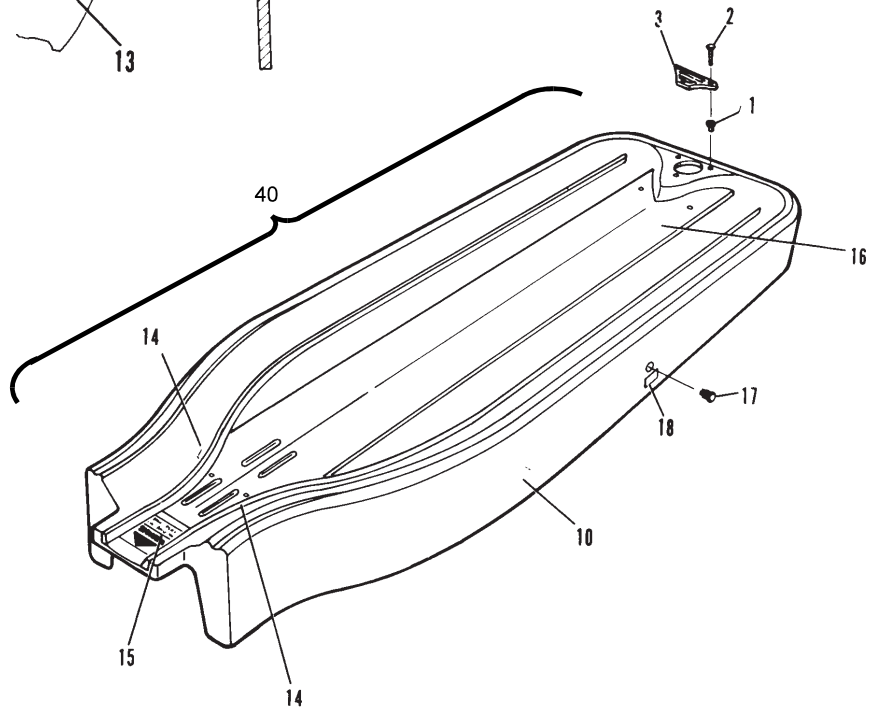
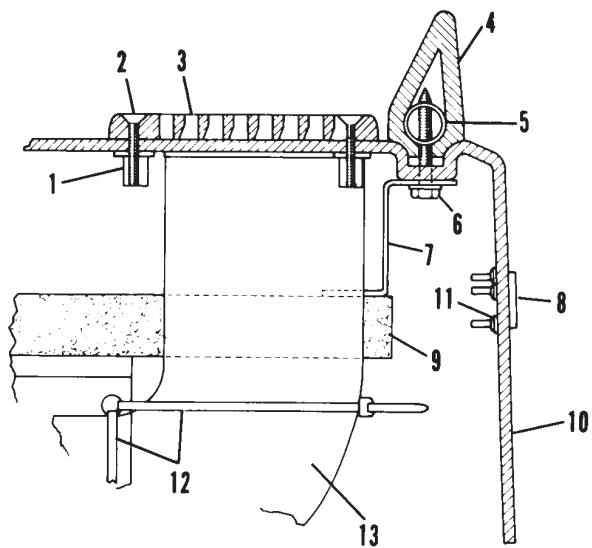


**Index**

<b>No.</b>	<b>Part No.</b>		<b>Description</b>
1.	11-135501-000		Well Nut (6-32)
2.	11-014026-004		C. R. Flat Hd. Machine Screw (6-32 x 5/8")
3.	53-100410-000	N.A.	Bezel
4.	53-100403-000		Bumper Strip
5.	53-100411-000	N.A.	Retaining Tube
6.	11-081012-001		Self Tapping Hex Hd. Washer Screw (#10 x 1-1/4")
7.	53-100414-003	N.A.	End Support Bracket
8.	53-100424-000		Name Plate - "Brunswick"
9.	53-100408-000	N.A.	Support Panel Assembly
10.	53-100484-000	N.A.	Ball Rack Only
11.	N.A.		Push On Fastener
12.	N.A.		Cable Tie
13.	53-100415-000		Hand Dryer Hose (32")
14.	53-100204-004		Outside Ball Track
15.	53-100419-000		Warning Decal
16.	53-100483-000	N.A.	Center Ball Track
17.	11-615019-000		Reset Button
18.	53-100050-000		Decal - "Reset"
19.	54-100107-002	N.A.	"T" Hd. Nib Screw (1/4-20 x 1-1/8")
20.	11-190010-001		Flat Washer (1/4)
21.	11-176000-001		Keps Nut (1/4-20)
22.	53-100224-000		Stem Buttons
23.	N.A.		Pedestal Assembly
24.	N.A.		Hex Hd. Lag Screw (1/4 x 1-1/4")
25.	N.A.	N.A.	Ball Rack Support Frame
26.	53-100276-002		Fan Screen
27.	53-100278-000		Blower Assembly (24V)
28.	11-070563-001	N.A.	Hex Hd. Lag Screw (3/8-7 x 1-1/2)
29.	11-190014-001		Flat Washer (3/8)
30.	11-195016-001		Lockwasher (3/8)
31.	11-190522-001		Special Washer
32.	N.A.		Shim
33.	53-100040-091	N.A.	Lower Clamp
34.	11-001182-001		Hex Hd. Cap Screw (1/4-20 x 3/4")
35.	11-195014-001		Lockwasher (1/4)
36.	53-100043-000		Upper Clamp
37.	53-100413-020	N.A.	Fan Mounting Clamp
38.	N.A.		Self Tapping Hex Hd. Washer Screw (#12 x 3/4")
39.	53-100414-002	N.A.	Side Support Bracket
40.	53-860675-000	N.A.	Complete Assembled Ball Rack - includes Pedestal Assembly (Item #23)

*N.A. = No Longer Available*

**"2000" Twinline II Ball Rack**



"2000" Twinline II Ball Rack