

Index

No.	Part No.	Description
1.	84-200456-002	L.H. Adapter Block
2.	84-200456-001	R.H. Adapter Block
3.	84-200241-xxx	Division Capping (Gray)
4.	84-200242-000	N.A. Color Strip (Division Capping)
	*84-860736-xxx	Division Capping (Pkg. of 6)
	*84-860553-xxx	N.A. Division Capping w/Hardware Pkg.
	84-860734-301	Division Capping w/Hardware Pkg. (Clear)
5.	11-086487-000	Hole Cutting Screw (#8 x 1-1/4")
6.	84-200245-000	N.A. Gutter Section
7.	84-200258-000	N.A. Shim (2" x 3-1/2")
8.	11-081207-000	Robertson Flat Head Screw (#8-1-1/4")
9.	84-200244-000	Ball Return Capping Clip (2-1/2")
	*84-200240-000	Ball Return Capping Clip (5")
10.	84-860740-000	Return Capping w/Hardware - (Pkg. of 6)
	84-200243-000	Return Capping only (Lt. Gray)
11.	84-200462-000	Gutter Coupler (Replaces P/N 84-200250-000)
12.	84-860557-000	Heavy Duty Flat Gutter
13.	52-100074-000	N.A. Header Block
	84-200603-000	N.A. Header Block
	84-200644-000	R.O. Header Block

* = Not Illustrated

N.A. = No Longer Available

R.O. = Replacement Option

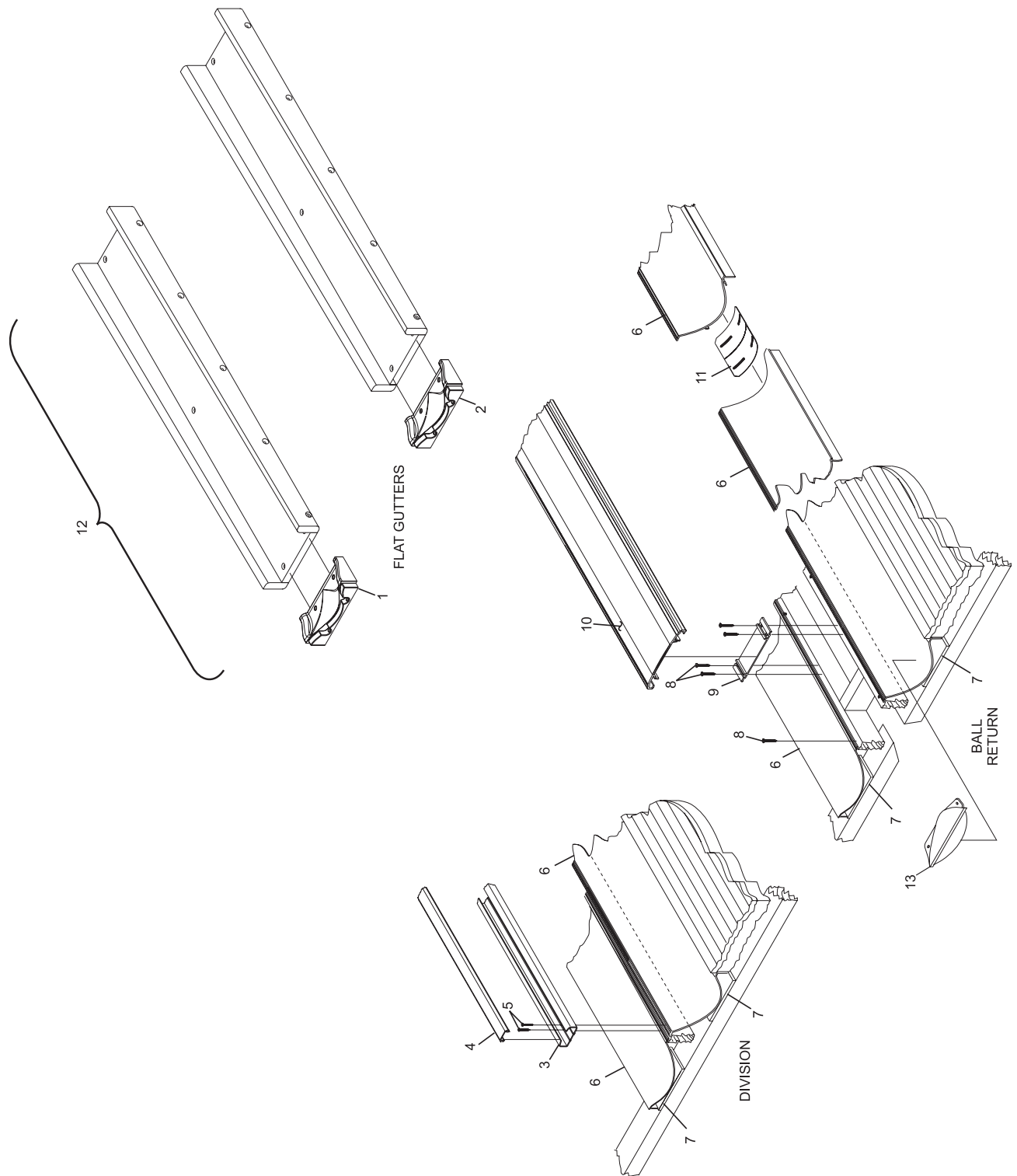
Package 84-860553-XXX - contains: 6 Gray lower division capping (index number 3) and 6 color strips (index number 4) as selected. Available in colors -220 through -229.

* Color Chart

Part No. Suffix	Division Capping Color Strips
-220	BLUEBERRY
-222	CRANBERRY
-223	GRAPE
-224	BANANA
-225	STRAWBERRY
-229	GRAPHITE
-301	CLEAR

Part No.	Gutter Color
-000	BLACK
-100	GREY
-101	BROWN
-102	BLUE

Framework Flat Gutters and Capping



Framework Flat Gutters and Capping