

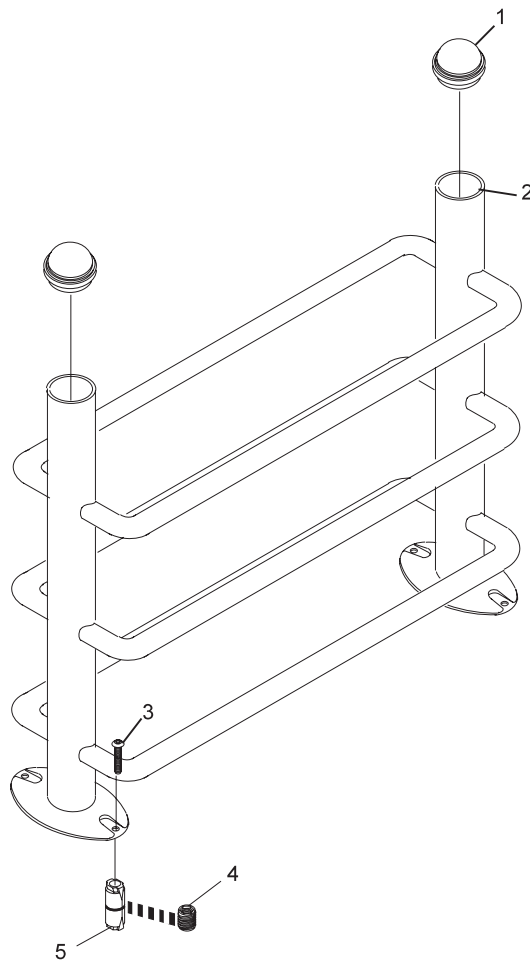
Index

No.	Part No.		Description
1.	53-400183-000		Tube Cap (4")
2.	53-860951-000	N.A.	Wall Ball Rack w/o Top Frame
3.	53-400301-001		Button Hd. Cap Screw (3/8-16 x 2-14")
	*53-400301-003		Button Hd. Socket Cap Screw (3/8-16 x 3/4")
4.	11-095011-000		Wood Insert (3/8-16)
5.	N.A.		Concrete Anchor
	*11-111560-000		Concrete Anchor (3/8-16 x 1-9/16")

N.A. = No Longer Available

* Concrete Anchor - Part No. 11-111560-000 must be used with Button Hd. Socket Cap Screw - Part No. 53-400301-003.

Frameworkx Wall Ball Rack without Top



Framworx Wall Ball Rack without Top