

**Index**

<b>No.</b>	<b>Part No.</b>		<b>Description</b>
1.	*54-861004-000	S.O.	Back Rest Complete Assembly (Upholstered)
	*54-861078-000	S.O.	Backrest Replacement Fabric Only
2.	*54-861085-000	S.O.	L.H. Armrest Complete Assembly
	*54-861077-000	S.O.	L.H. Armrest Replacement Fabric Only
3.	*54-861059-000	S.O.	R.H. Armrest Complete Assembly (Upholstered)
	*54-861076-000	S.O.	R.H. Armrest Replacement Fabric Only
4.	*54-861060-000	S.O.	Seat Complete Assembly (Upholstered)
	*54-861075-000	S.O.	Seat Assembly Replacement Fabric Only
5.	54-200008-000		L.H. Bottom Panel
6.	54-200009-000		R.H. Bottom Panel
7.	11-051567-009	N.A.	Socket Head Cap Screw (M8 x 70 mm)
8.	11-052003-001	N.A.	Flat Washer (8.4 mm)
9.	11-051568-009	N.A.	Socket Head Cap Screw (M8 x 80 mm)
10.	11-052019-001		Flat Washer (M8)
11.	11-051566-009	N.A.	Socket Head Cap Screw (M6 x 40 mm)
12.	11-052023-001	N.A.	Flat Washer (6.4 mm)
	11-052048-001	R.O.	Flat Washer (6.4 mm)
13.	11-051509-009	N.A.	Socket Head Cap Screw (M6 x 12 mm)
14.	53-400301-002		Button Head Socket Cap Screw (3/8-16 x 1-1/4")
15.	11-191014-001		Flat Washer (3/8)
16.	11-051891-000		Pan Head Phillips Screw (M4 x 17 mm)
17.	11-111560-000		Hilti Concrete Anchor (3/8-16 x 1-9/16")
18.	**54-200010-000		Glides
19.	*54-200013-000		Trim Piece

*N.A. = No Longer Available*

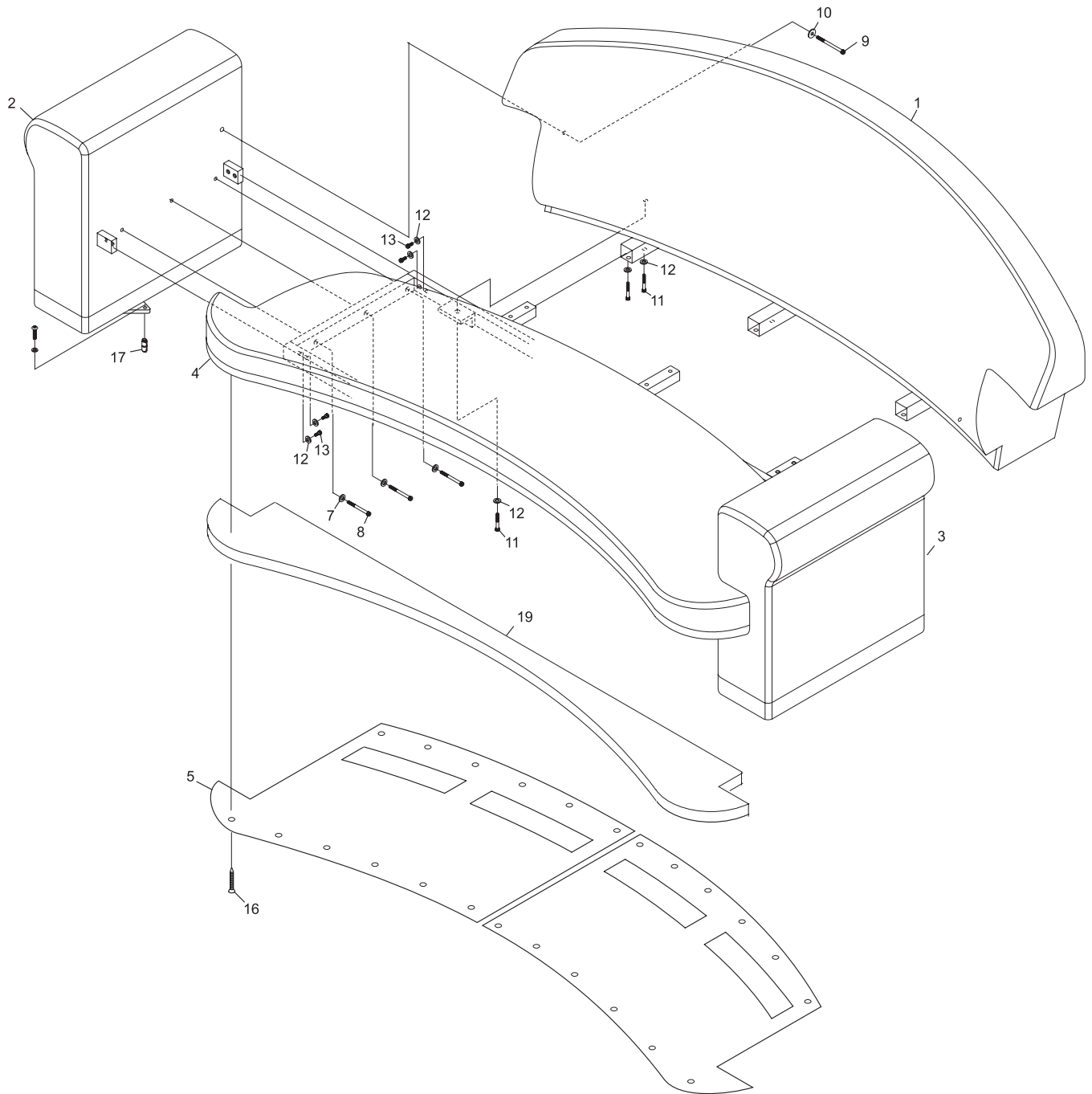
*R.O. = Replacement Option*

*S.O. = Special Order*

\* NOTE: Fabric options can be reviewed online at [www.brunswickbowling.com](http://www.brunswickbowling.com) or by contacting your Brunswick Representative. When purchasing replacement fabric contact a local upholster to mount fabric to furniture.

\*\* Not Illustrated

## Striking Line Sofa



## Striking Line Sofa