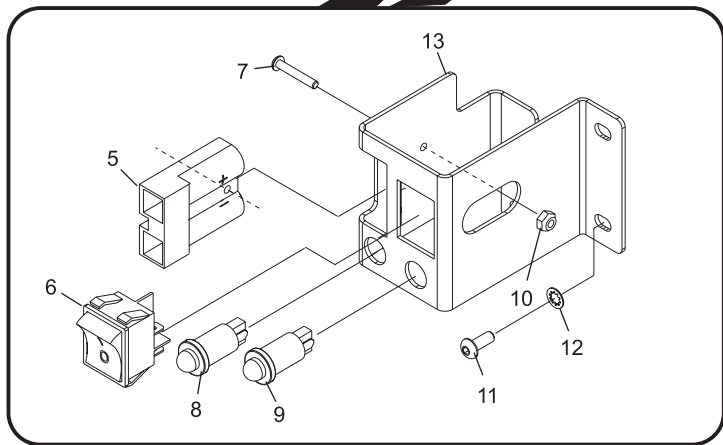
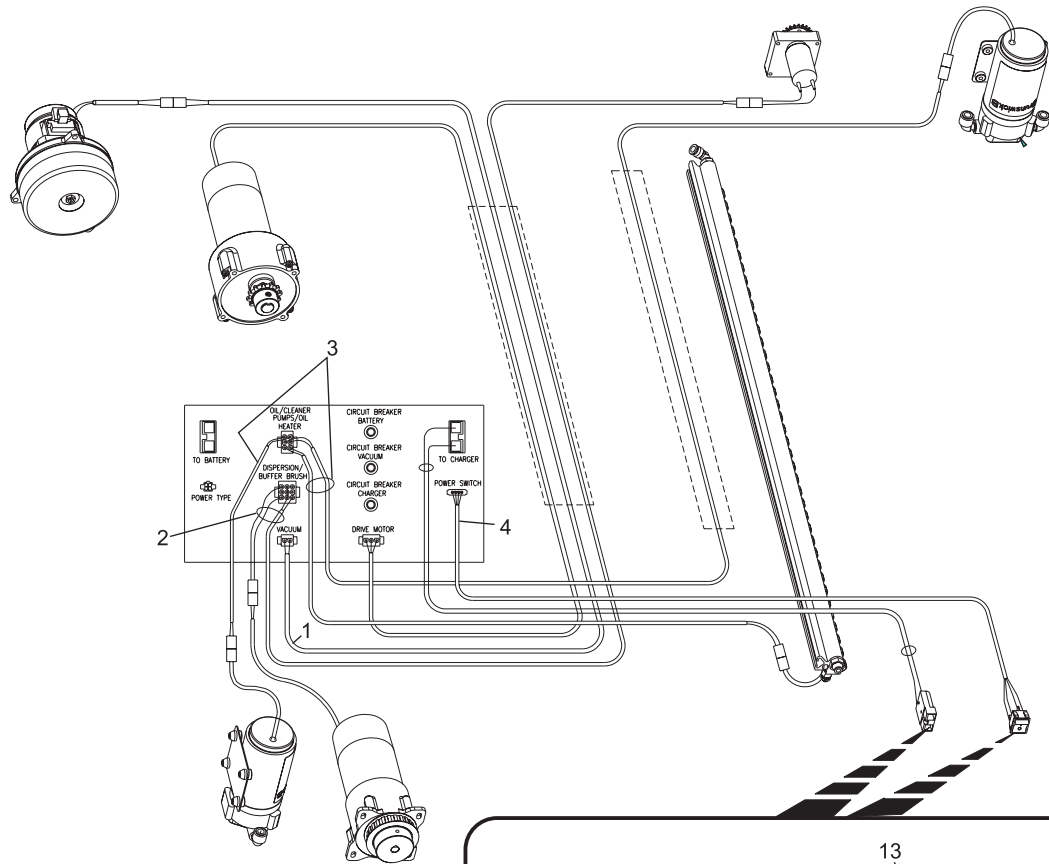


Index No.	Part No.	Description
1.	14-100813-000	Vacuum Motor (DC) Cable Assembly
2.	14-100885-000	Dispersion/Buffer Brush Cable Assembly
3.	14-100886-000	Oil/Cleaner Pumps/Oil Heater Cable Assembly
4.	14-100891-000	Power Switch Cable Assembly
5.	14-100815-000	DC Charging Port Cable Assembly
6.	11-615189-000	Rocker Switch
7.	11-006045-015	Button Head Cap Screw (#10-32 x 1/2")
8.	11-680045-000	LED, Red (12V)
9.	11-680046-000	LED, Green (12V)
10.	11-170020-015	Locknut (#6-32)
11.	11-006118-015	Button Head Cap Screw (#10-32 x 1/2")
12.	11-199003-015	Button Head Cap Screw (#10-32 x 1/2")
13.	14-100847-000	Charging Port Indicator Lights Bracket

Electronic Enclosure - Left Side Video - Cable Assemblies



Electronic Enclosure - Left Side Video - Cable Assemblies