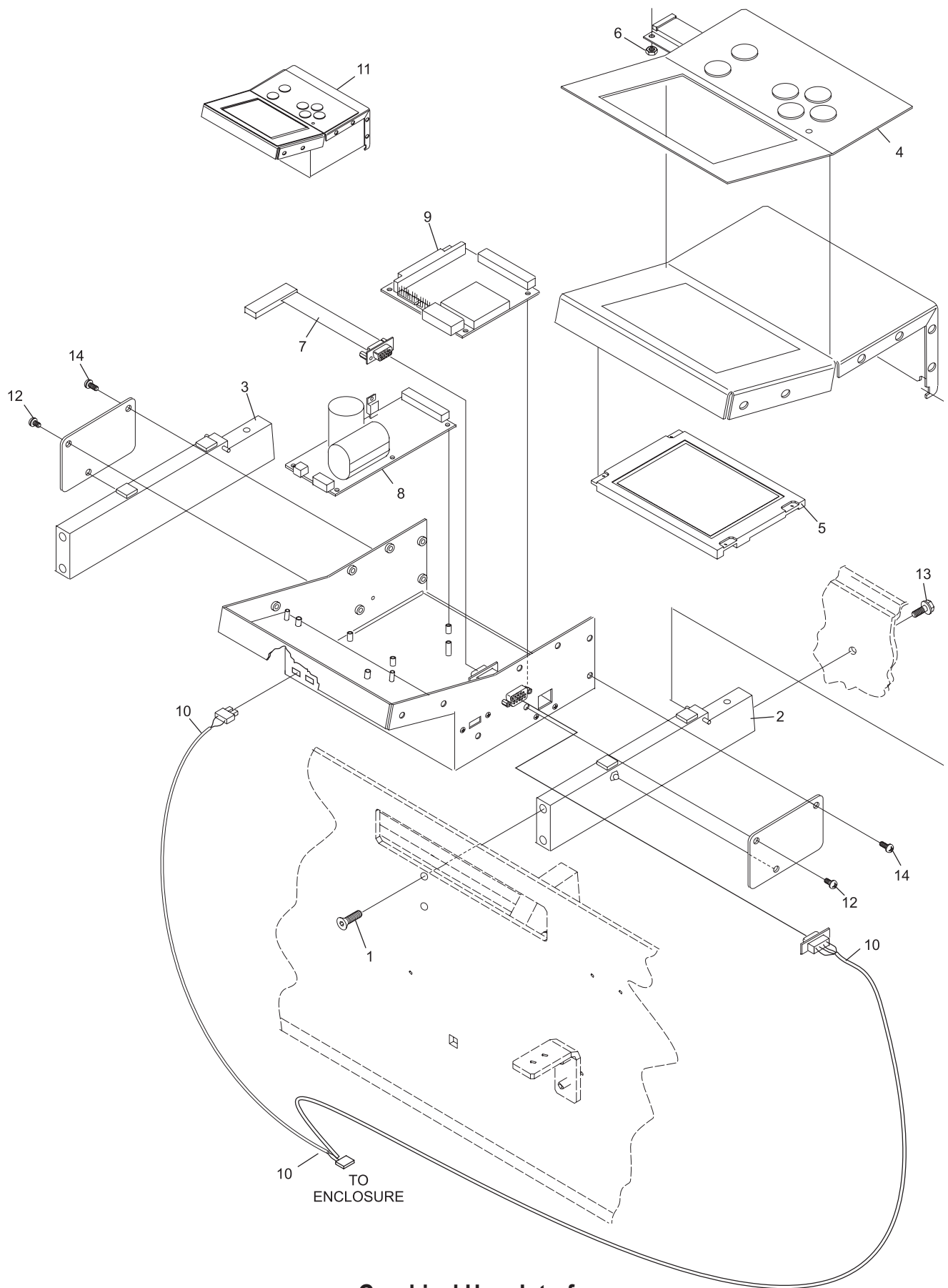


Index No.	Part No.	Description
1.	11-007180-015	Flat Head Socket Cap Screw (1/4-20 x 5/8")
2.	14-100441-001	GUI Support Assembly (left hand)
3.	14-100441-002	GUI Support Assembly (right hand)
4.	14-100357-000	GUI Keypad
5.	14-100176-000	GUI LCD
6.	11-176-005015	Keys Nut (#6-32)
7.	14-100853-000	Com 1 Ribbon Cable Assembly
8.	14-100177-000	UPS PCB
9.	14-100857-400	GUI PCB
10.	14-100812-000	GUI Power/Communications Cable Assembly
11.	14-100842-400	Graphics User Interface
12.	11-012056-015	Pan Head Socket Screw (#8-32 x 1/4")
13.	11-010783-000	Hex Head Serrated Flange Screw (5/16-18 x 3/4")
14.	11-012057-015	Pan Head C.R. Screw (#8-32 x 5/16")
15.	*14-860246-000	Pkg. Emergency Run Display

* Not Illustrated



Graphical User Interface