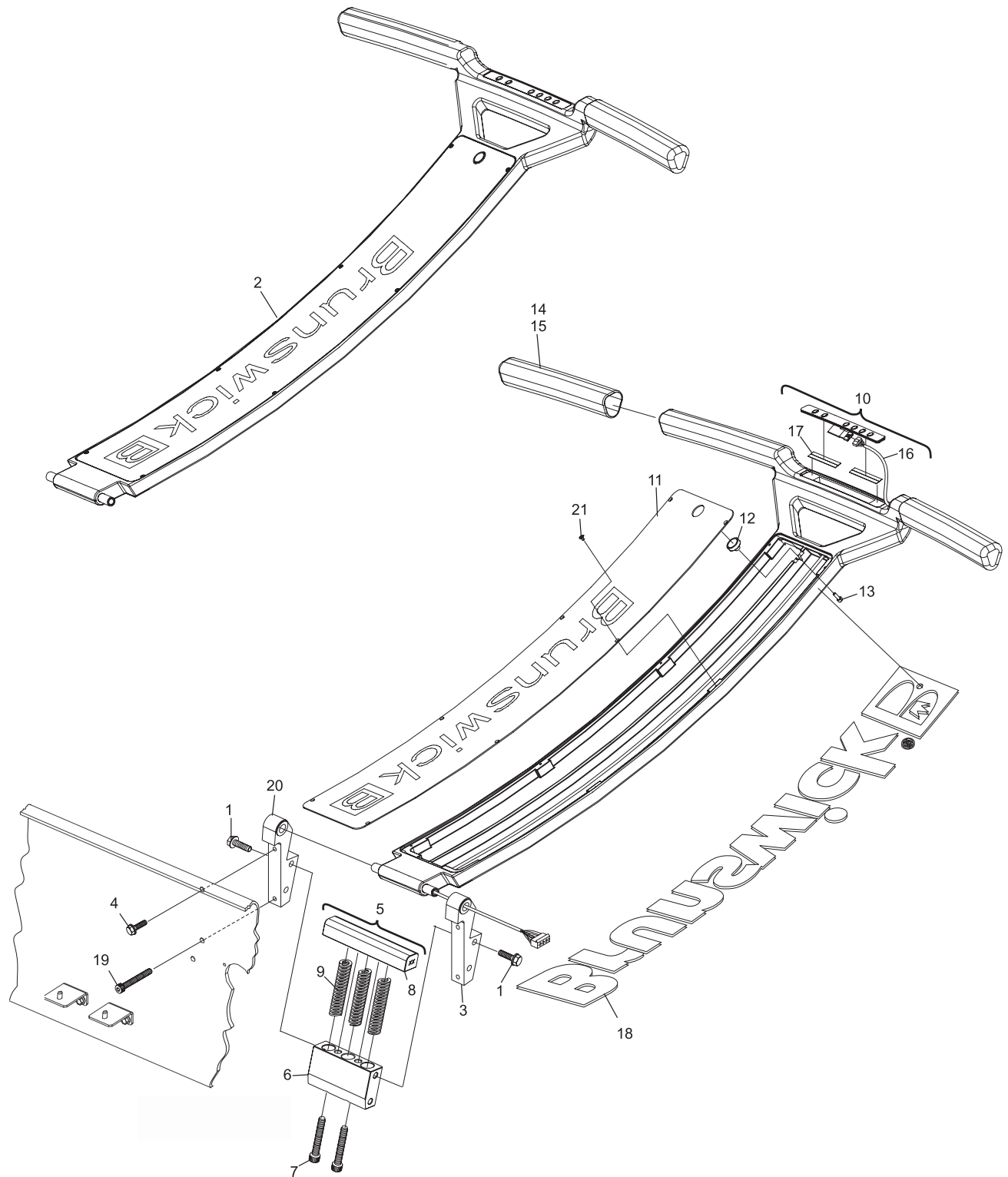


**Index**

<b>No.</b>	<b>Part No.</b>	<b>Description</b>
1.	11-010789-000	Hex Head Serrated Flange Screw (5/16-18 x 1-1/4")
2.	14-100132-001	Handle w/Cover plate Assembly
3.	14-100134-002	Handle Hinge Bracket (left hand)
4.	11-010783-000	Hex Head Serrated Flange Screw (5/16-18 x 3/4")
5.	14-100543-000	Over Travel Block Assembly
6.	14-100142-000	Over Travel Block (lower)
7.	11-005353-015	Socket Head Cap Screw (3/8-16 x 2-1/4")
8.	14-100141-000	Over Travel Block (upper)
9.	11-581050-000	Spring
10.	14-100393-000	Handle Keypad Assembly
11.	14-100376-001	Handle Cover Plate
12.	11-637202-000	Magnet
13.	11-004996-000	Socket Head Cap Screw (M4 x 12 mm)
14.	14-100012-002	Handle Grip (left hand)
15.	14-100012-001	Handle Grip (right hand)
16.	14-100186-091	Handle Keypad to GUI Cable Assembly
17.	84-200297-000	Double Sided Adhesive Foam Tape
18.	14-100415-001	Raised Brunswick Decal
19.	11-005272-015	Socket Head Cap Screw (5/16-18 x 2")
20.	14-100134-001	Handle Hinge Bracket (right hand)
21.	11-084222-015	Flat Head Self Tapping Screw (#4-40 x 1/4")

**Handle System**



## Handle System