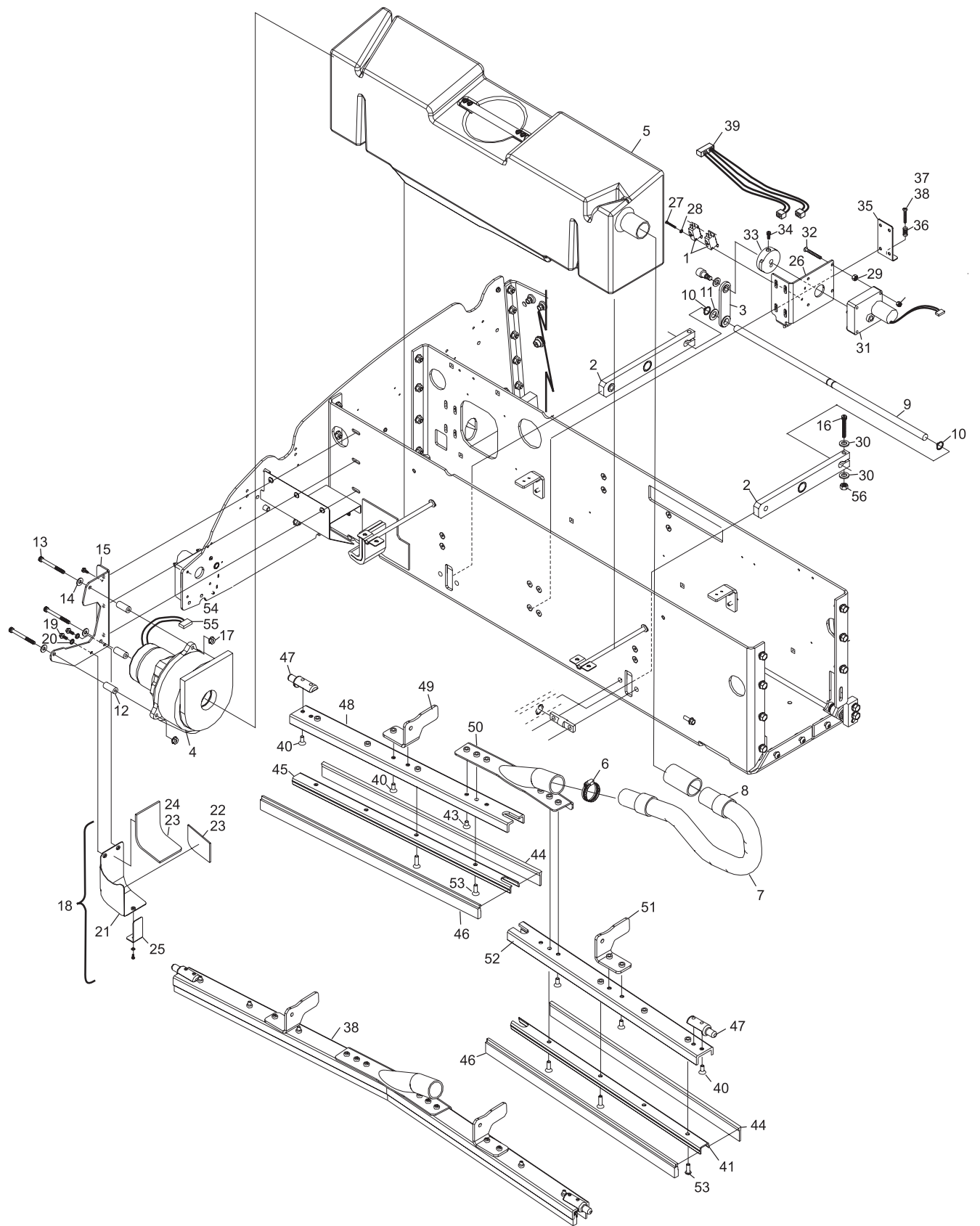


## Index

No.	Part No.	Description
1.	11-616026-000	Switch
2.	14-100060-000	Pivot Arms
3.	14-100065-000	Lifting Linkage
4.	14-100914-000	Vacuum Motor Assembly
5.	14-100301-000	Waste Tank
6.	14-100917-000	Vacuum Hose Assembly
7.	11-655078-002	Hose
8.	11-655077-000	Hose Cuff
9.	14-100061-000	Lift Rod
10.	11-537051-000	Retaining Ring (external)
11.	11-192576-000	Shim
12.	11-388000-000	Spacer (1/4" I.D. x 1/2" O.D. x 1-1/4")
13.	11-005193-015	Screw (1/4-20 x 2-1/4")
14.	11-190010-015	Flat Washer (1/4)
15.	14-100093-000	Vacuum Motor Bracket
16.	11-005190-015	Socket Head Cap Screw (1/4-20 x 13/4")
17.	11-171504-000	Hex Serrated Head Nut (1/4-20)
18.	14-100097-000	Vacuum Exhaust Deflector Assembly
19.	11-006116-000	Screw (#10-32 x 3/8")
20.	11-199003-015	Lock Washer (#10)
21.	14-100066-000	Vacuum Exhaust Deflector
22.	14-100106-000	Side Exhaust Deflector Felt
23.	14-860222-000	Adhesive (for felt)
24.	14-100104-000	Top Exhaust Deflector Felt
25.	14-100377-000	Diffuser Bracket
26.	14-100764-000	Motor Mount Bracket
27.	11-006010-000	Screw (#4-40 x 1")
28.	11-199000-015	Internal Tooth Lockwasher (#4)
29.	11-199003-015	Nut (#8-32)
30.	11-190010-015	Flat Washer (1/4)
31.	14-100724-022	Motor Assembly
32.	11-006125-000	Screw (#8-32 x 1-1/2")
33.	14-100729-000	Squeegee Up/Down Cam
34.	11-105454-000	Set Screw (1/4-28 x 3/8")
35.	14-100310-000	Nut Plate
36.	11-581011-000	Spring
37.	11-012353-015	Pan Head Cap Screw (#10-32 x 1-1/4")
38.	14-100850-000	V-Squeegee Assembly - complete
39.	14-100258-000	Up/Down Switch Cable Assembly
40.	11-007776-000	Flat Head Cap Screw (1/4-20 X 5/8")
41.	14-100457-001	Inner Squeegee Extrusion (left hand)
42.	11-170007-015	Nut (1/4-20)
43.	11-007775-000	Flat Head Cap Screw (1/4-20 X 1/2")
44.	14-100523-091	V-Squeegee Blade Assembly
45.	14-100457-002	Inner Squeegee Extrusion (right hand)
46.	14-100556-091	Absorbent Wiper Assembly
47.	14-100488-000	Alignment Pin
48.	14-100455-002	Outer Squeegee Extrusion (right hand)
49.	14-100458-002	Arm Bracket (right hand)
50.	14-100460-000	Vacuum Head Assembly
51.	14-100458-001	Arm Bracket (left hand)
52.	14-100455-001	Outer Squeegee Extrusion (left hand)
53.	11-007777-000	Button Head Cap Screw (1/4-20 x 3/4")
54.	11-696736-000	Terminal - Male
55.	11-696701-000	Connector Housing

## Squeegee & Waste System



## Squeegee & Waste System