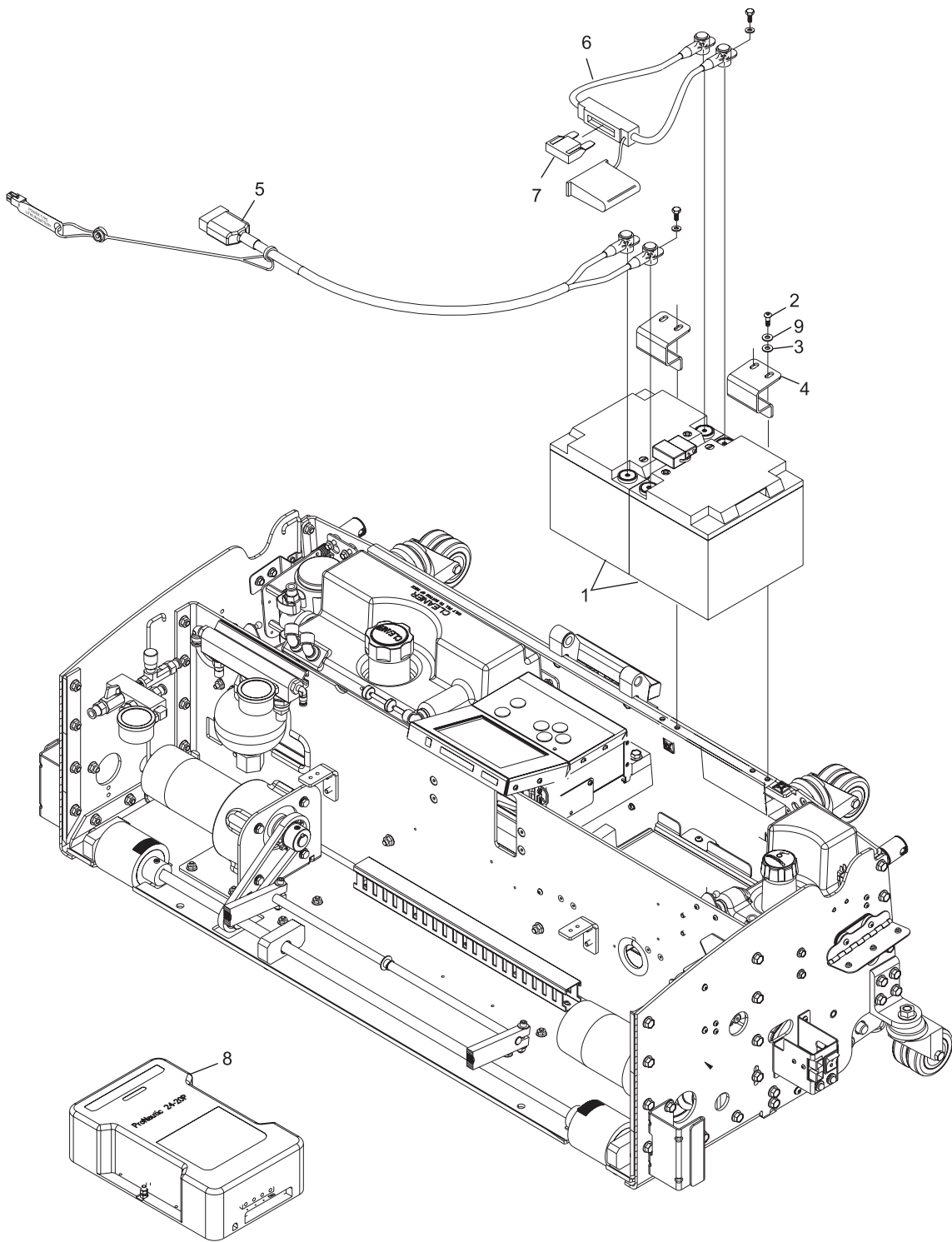


| <b>Index No.</b> | <b>Part No.</b> | <b>Description</b>                  |
|------------------|-----------------|-------------------------------------|
| 1.               | R8-040000-000   | Battery - 12 VDC AGM (pair 2)       |
| 2.               | 11-006120-015   | Screw (#10-32 X 5/8")               |
| 3.               | 11-190006-015   | Plain Washer (#10)                  |
| 4.               | 14-100753-000   | Battery Clamp - AGM                 |
| 5.               | 14-100957-003   | AGM Battery Cable w/Jumper Assembly |
| 6.               | 14-100931-000   | In-Line Fuse Assembly               |
| 7.               | 11-685134-000   | Fuse (40 AMP Maxi Fuse)9            |
| 8.               | 14-100924-115   | Battery Charger (115V)              |
|                  | 14-100924-230   | Battery Charger (230V)              |
| 9.               | 11-652054-000   | Rubber Washer                       |



## AGM Power