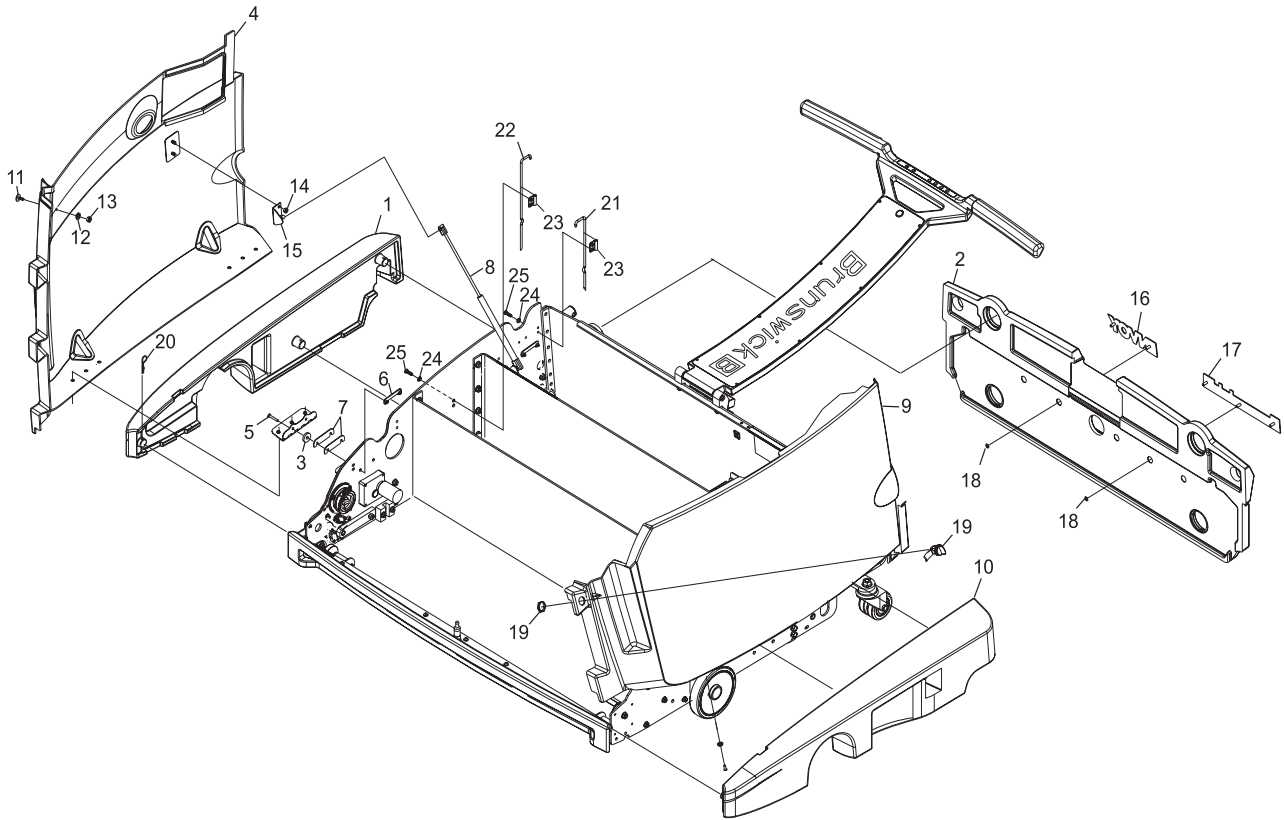


Section D

Cover & Handle System

No.	Index Part No.	Description
1.	14-100738-000	Side Cover (right-hand)
2.	14-100736-000	Rear Cover
3.	11-192028-000	Spacer(nylon)
4.	14-100742-002	Top Cover Assembly (right-hand)
5.	11-006127-000	Button Head Cap Screw (#10-32 x 1-1/4")
6.	14-100312-000	Hinge Nut Plate
7.	14-100373-000	Shim
8.	11-210008-000	Gas Spring (10lb. force)
9.	14-100740-002	Top Cover Assembly (left-hand)
10.	14-100737-000	Side Cover (left-hand)
11.	14-100358-000	Magnet Catch Plate
12.	11-190006-015	Flat Washer (#10)
13.	11-170006-015	Locknut (#10-32)
14.	11-170004-015	Locknut (#8-32)
15.	11-210007-000	Gas Spring Bracket
16.	14-100922-000	Envoy Logo
17.	53-860648-000	Brunswick Logo
18.	11-532004-009	External Retaining Ring
19.	11-112201-000	Latch
20.	11-054301-015	Cover Pin (front)
21.	14-100875-001	Cover Pin (rear)
22.	14-100875-002	Cover Pin (middle)
23.	14-100876-000	Cover Pin (guide)
24.	11-199002-015	Lockwasher (#8)
25.	11-006063-009	Button Head Cap Screw (#8-32 x 1/2")

Hood System

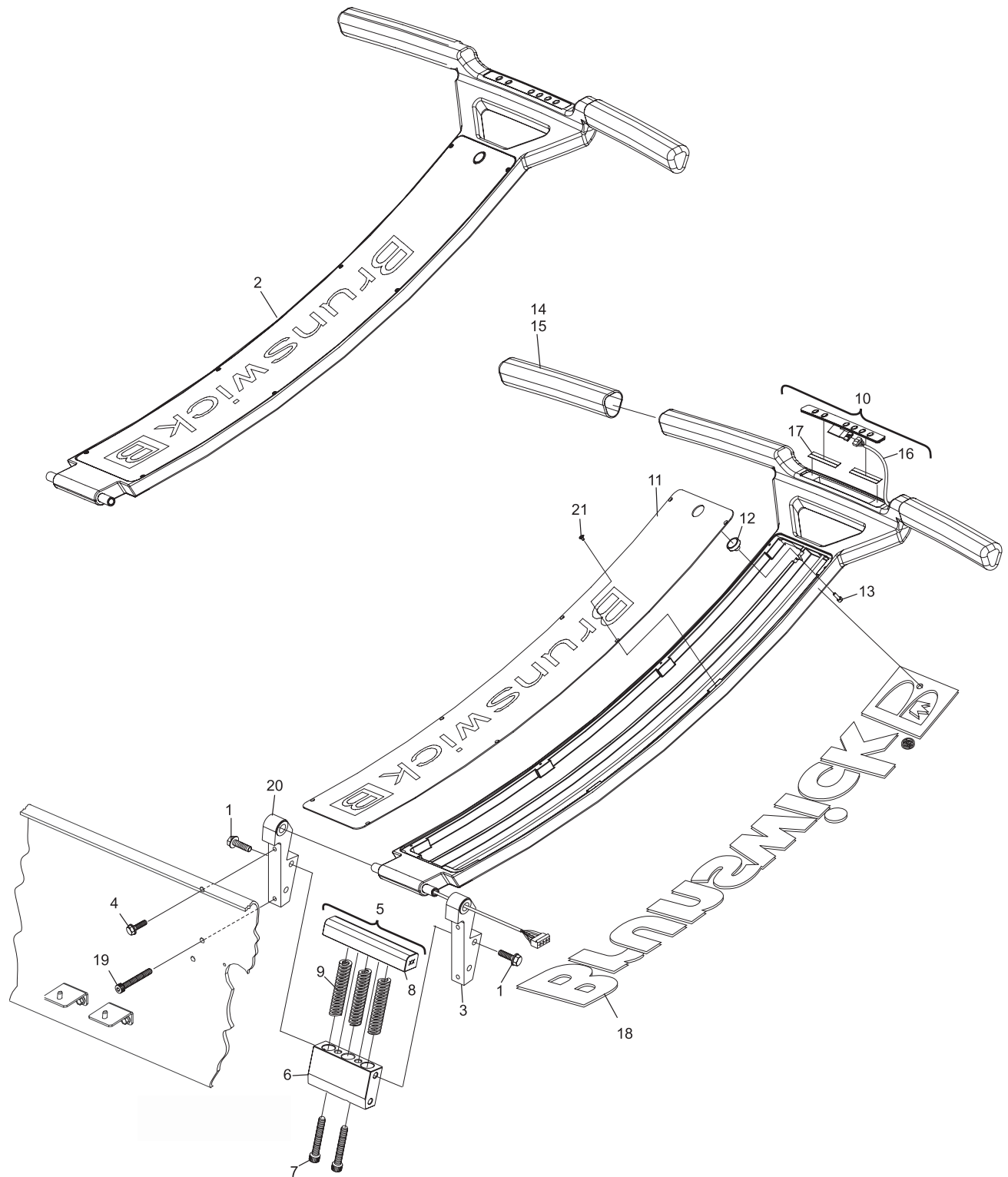


Hood System

Index

No.	Part No.	Description
1.	11-010789-000	Hex Head Serrated Flange Screw (5/16-18 x 1-1/4")
2.	14-100132-001	Handle w/Cover plate Assembly
3.	14-100134-002	Handle Hinge Bracket (left hand)
4.	11-010783-000	Hex Head Serrated Flange Screw (5/16-18 x 3/4")
5.	14-100543-000	Over Travel Block Assembly
6.	14-100142-000	Over Travel Block (lower)
7.	11-005353-015	Socket Head Cap Screw (3/8-16 x 2-1/4")
8.	14-100141-000	Over Travel Block (upper)
9.	11-581050-000	Spring
10.	14-100393-000	Handle Keypad Assembly
11.	14-100376-001	Handle Cover Plate
12.	11-637202-000	Magnet
13.	11-004996-000	Socket Head Cap Screw (M4 x 12 mm)
14.	14-100012-002	Handle Grip (left hand)
15.	14-100012-001	Handle Grip (right hand)
16.	14-100186-091	Handle Keypad to GUI Cable Assembly
17.	84-200297-000	Double Sided Adhesive Foam Tape
18.	14-100415-001	Raised Brunswick Decal
19.	11-005272-015	Socket Head Cap Screw (5/16-18 x 2")
20.	14-100134-001	Handle Hinge Bracket (right hand)
21.	11-084222-015	Flat Head Self Tapping Screw (#4-40 x 1/4")

Handle System



Handle System