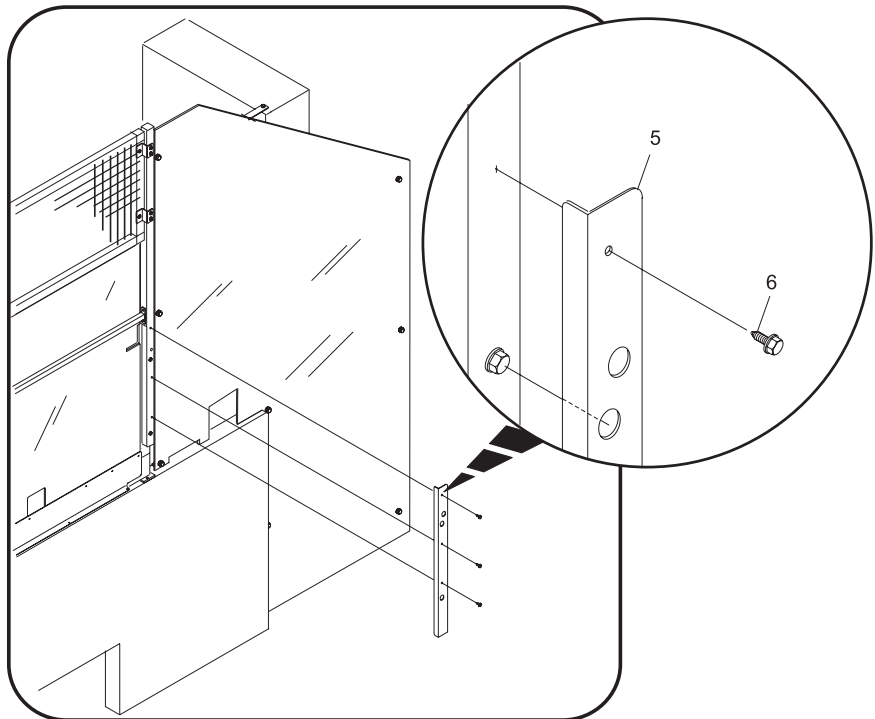
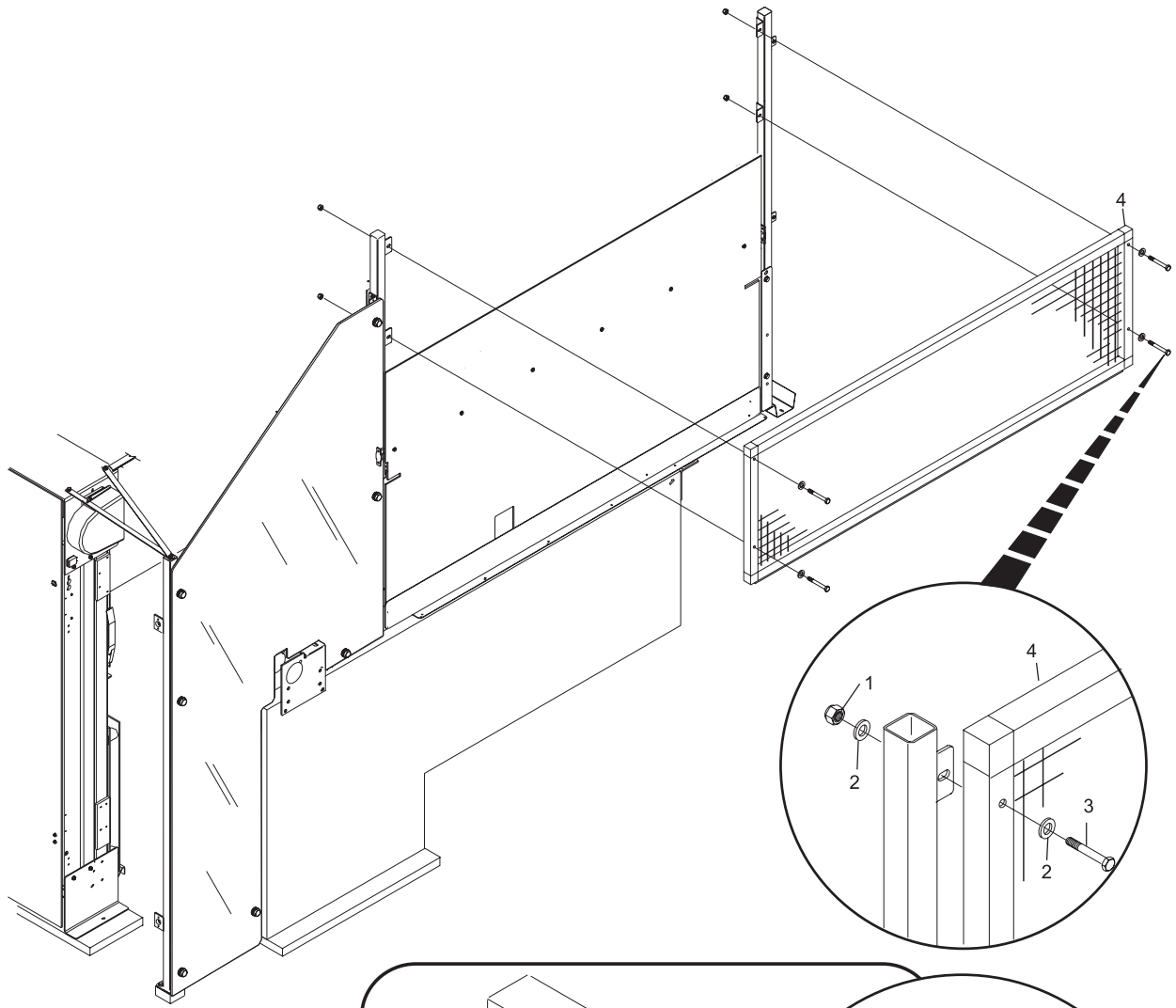


Index

No.	Part No.		Description
1.	11-051743-001		Locknut (6 mm)
2.	11-052037-001		Flat Washer (6.4)
3.	11-051036-001	N.A.	Hex Head Cap Screw (M6 x 35 mm)
4.	47-085984-000		Upper Division Guard
5.	47-085996-000	N.A.	End Guard Cover - Used On Right Side Only
6.	11-010818-001	N.A.	Self Tapping Screw (1/4-14 x 1")

N.A. = No Longer Available



RIGHT HAND SIDE ONLY

**UK Advanced/Advanced
Left & Right Side Upper Machine Guards**