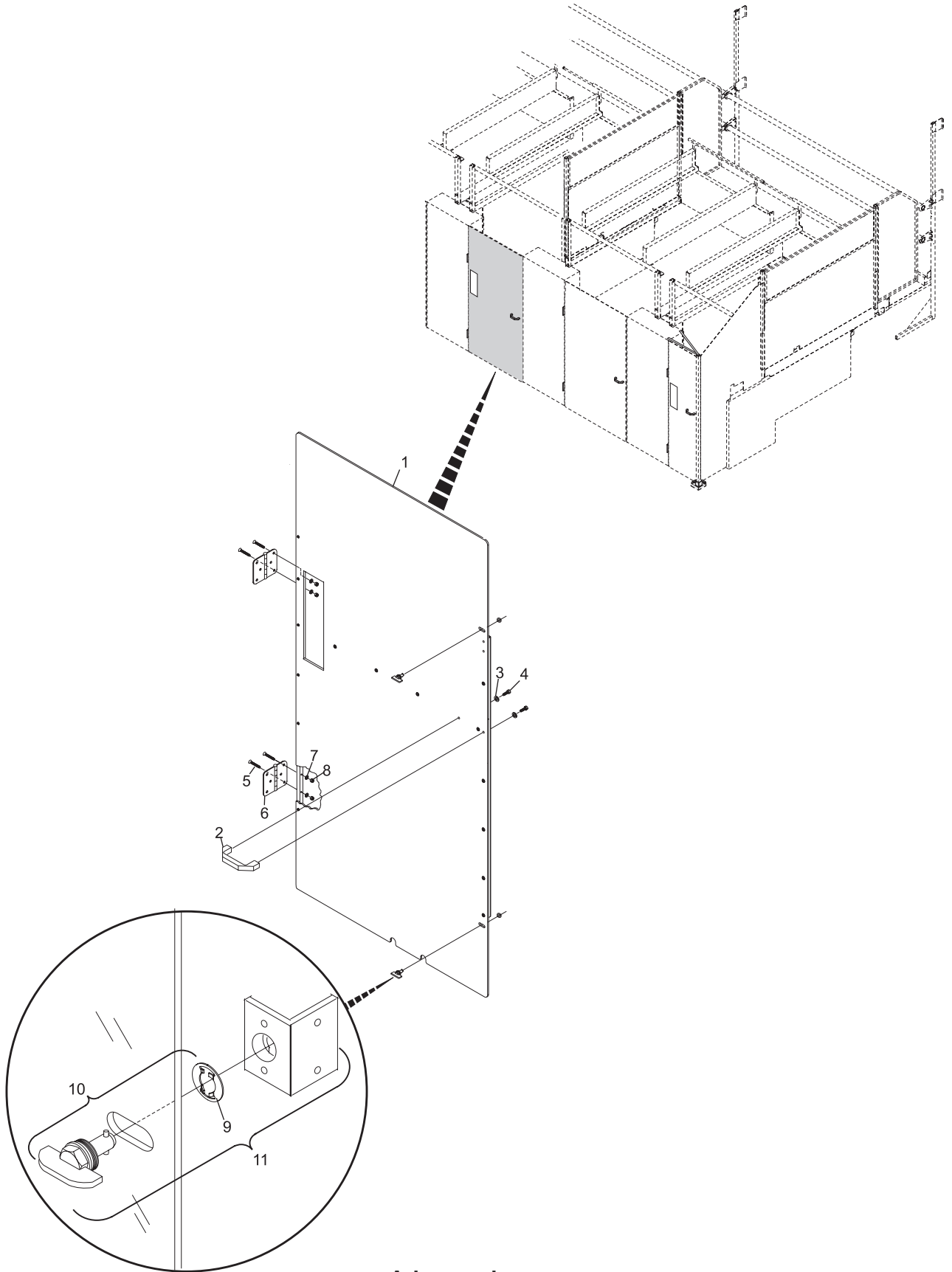


Index

No.	Part No.		Description
1.	47-086144-009	S.O.	Rear Division Hinged Guard
2.	47-085826-009		Handle Pkg. (includes Hardware)
3.	11-052037-001		Flat Washer (6.4)
4.	11-051035-001		Hex Head Cap Screw (M6 x 16 mm)
5.	11-052554-001	N.A.	Flat Hd. Machine Screw CR (M5 x 35 mm)
6.	11-077000-000	N.A.	Mortise Mount Hinge (3-1/2" x 3-1/2")
7.	11-052020-001		Flat Washer (5.3 mm)
8.	11-051742-001		Locknut (5 mm)
9.	47-086163-009		Quick Lock Retainer (Qty. 10)
10.	47-086166-009		Quick Lock Blade Hd. Fastener w/Retainer Ring
11.	47-016014-009		Quick Lock Assembly (includes Blade Hd. Fastener, Retainer and Bracket)

N.A. = No Longer Available

S.O. = Special Order



**Advanced
Rear (Division) Hinged Machine Guards**