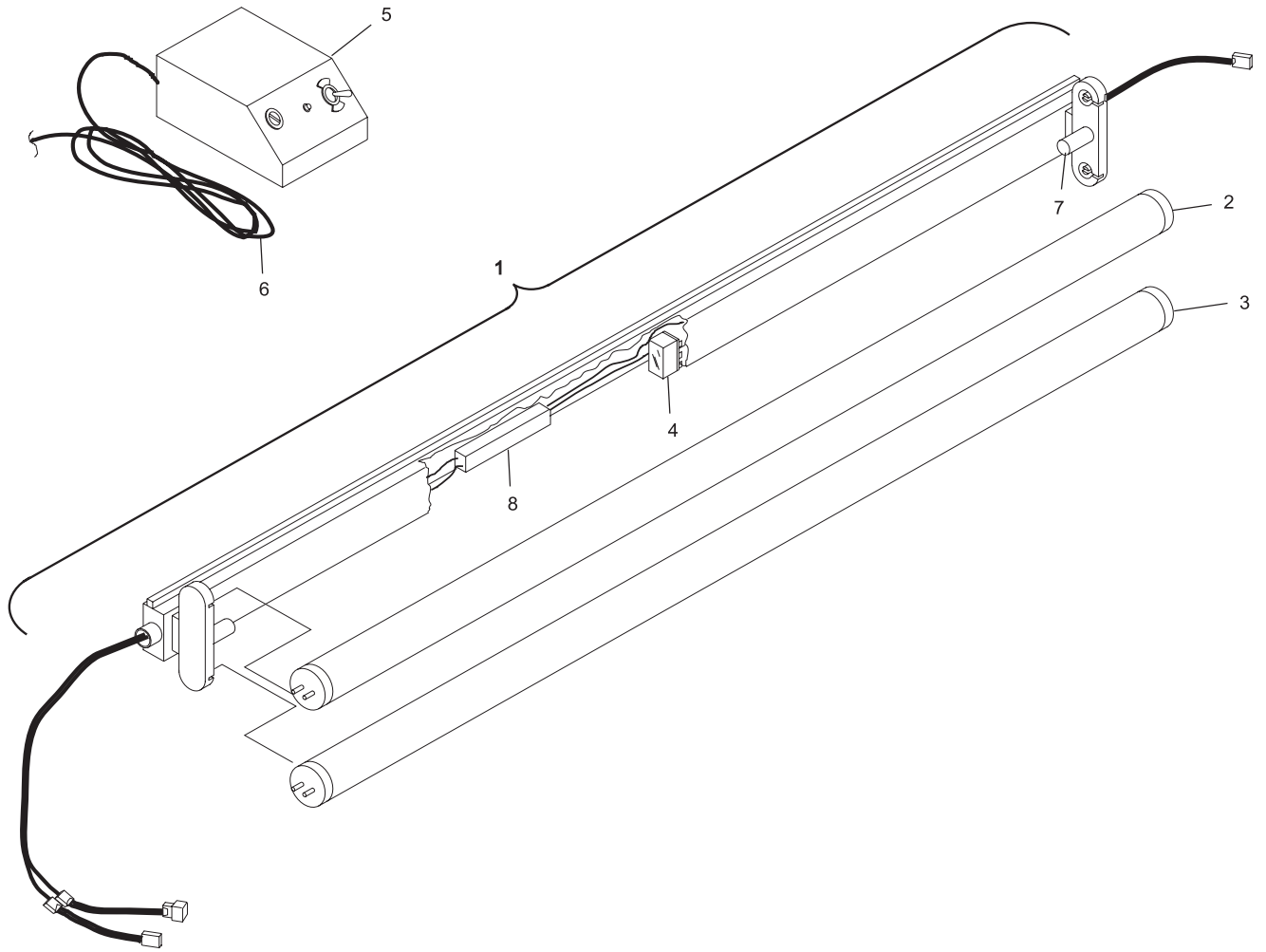


Index

| No. | Part No. | Description |
|------------|-----------------|---|
| 1. | 47-225723-004 | Dual Light Assembly - w/o Bulbs or Power Supply/Control Unit (230/380 Volt) |
| | 47-225722-004 | Dual Light Assembly - without Bulbs or Power Supply/Control Unit (208 Volt) |
| 2. | 47-203152-000 | Bulb - White |
| 3. | 99-220385-004 | Bulb - Black |
| 4. | 99-220366-004 | Relay (24VAC) |
| 5. | 47-225254-003 | Power Supply/Control Unit |
| 6. | 47-225263-004 | Controller Cable |
| 7. | 47-203147-000 | Starter (230/380 volt pinsetters only) |
| 8. | 47-225732-004 | Electronic Ballast (208 Volt) |
| | 47-226294-004 | Electronic Ballast (230 Volt) |

**Dual Pin Lamp System
(Machine Series 443 and Above)**



**Dual Pin Lamp System
(Machine Series 443 and Above)**