

Section A

**SYNTHETIC LANES
&
PINDECKS**

Index

No.	Part No.	Description
1.	N.A.	Integral Pine/Pin Deck Assembly
2.	*N.A.	Pine Panel
	**N.A.	Pine Panel
3.	N.A.	Head and Pine Panel
4.	N.A.	Division Tel-E-Foul Mount
5.	*N.A.	Division Fill Panel
	**N.A.	Division Fill Panel
6.	N.A.	Foul Line and Approach Panel
7.	N.A.	Short Door
	**N.A.	Short Door
8.	*84-200026-000	N.A. Large Return Door
	N.A.	Long Door
9.	*N.A.	Ball Return Fill Panel w/Door
	**N.A.	Ball Return Fill Panel w/Door
10.	84-200133-000	N.A. Return Tel-E-Foul Mount
11.	N.A.	ABC Plug (Pine)
12.	****N.A.	Squash Plug .697 Dia.
	****N.A.	Squash Plug .702 Dia.
13.	84-860427-000	Maple Plug .692 Dia. (Qty. 84)
	84-860428-000	Maple Plug .697 Dia. (Qty. 42)
	84-860429-000	N.A. Maple Plug .702 Dia. (Qty. 5)
14.	84-860431-000	Pine Plug .697 Dia. (Qty. 23)
	84-860432-000	N.A. Pine Plug .702 Dia. (Qty. 5)
15.	11-081203-000	Robertson Hd. Screw (#14 x 4")
16.	N.A.	C. R. Wood Screw (#14 x 3-1/2")
17.	84-860406-000	N.A. Oversize Plug .875 Dia. (Qty. 5 each of Maple, Pine and Squash)
18.	N.A.	ABC Plug (Maple)
19.	***11-676678-000	Paneling Adhesive (29 oz. Tube)
20.	N.A.	Short Pine Section
21.	N.A.	M/O Pin Deck
22.	84-200046-000	Tail Plank
23.	N.A.	Maple Plug .875 Dia. (Qty. 5)
24.	84-860391-002	Maple Plug .687 Dia. (Qty. 70)
25.	N.A.	Pine Plug .687 Dia. (Qty. 50)
26.	N.A.	Pine Plug .875 Dia. (Qty. 5)
27.	****N.A.	Squash Plug .687 Dia.
28.	***N.A.	Squash Plug .875 Dia. (Qty. 5)
29.	**N.A.	Router Guide

LAMINATE PATCHES -

(Not Illustrated) For use on Armor Plate replacement and new lanes - Not for Anvilane

30.	***84-860393-000	N.A.	Maple Patch 2-3/16" x 7-3/4" (Qty. 7)
31.	***84-860394-000	N.A.	Pine Patch 2-3/16" x 7-3/4" (Qty. 7)
32.	***84-860395-000	N.A.	Maple Patch 1-1/4" x 7-3/4" (Qty. 7)
33.	***84-860396-000	N.A.	Pine Patch 1-1/4" x 7-3/4" (Qty. 7)
34.	***84-860397-000	N.A.	Pine Patch 3-1/2" Dia. (Qty. 7)
35.	***84-860398-000	N.A.	Maple Patch 3-1/2" Dia. (Qty. 7)
36.	***84-860399-000	N.A.	Maple Patch 12" x 12" (Qty. 2)
37.	***84-860400-000	N.A.	Pine Patch 12" x 12" (Qty. 2)
38.	52-100464-000	N.A.	Counterbore Drilling Fixture
	***52-100465-000	N.A.	Counterbore Drill Bit (11/16")
39.	***52-860270-000	N.A.	Router Template and Router Guide Pkg.
40.	84-200084-010		Side Moulding for Integral Pin Deck (48" x 1 3/8")
41.	84-200083-010		Rear Molding for Integral Pin Deck (40-3/8" x 1 3/8")
42.	11-084610-001		Flat Hd. C. R. Tap Screw (14-10 x 1-3/4")
43.	11-081202-000		Robinson Hd. Wood Screw (14-10 x 3-1/2")
44.	**N.A.		#2 Robinson Driver Bit
45.	***11-700078-000		#3 Robinson Driver Bit

N.A. = No Longer Available

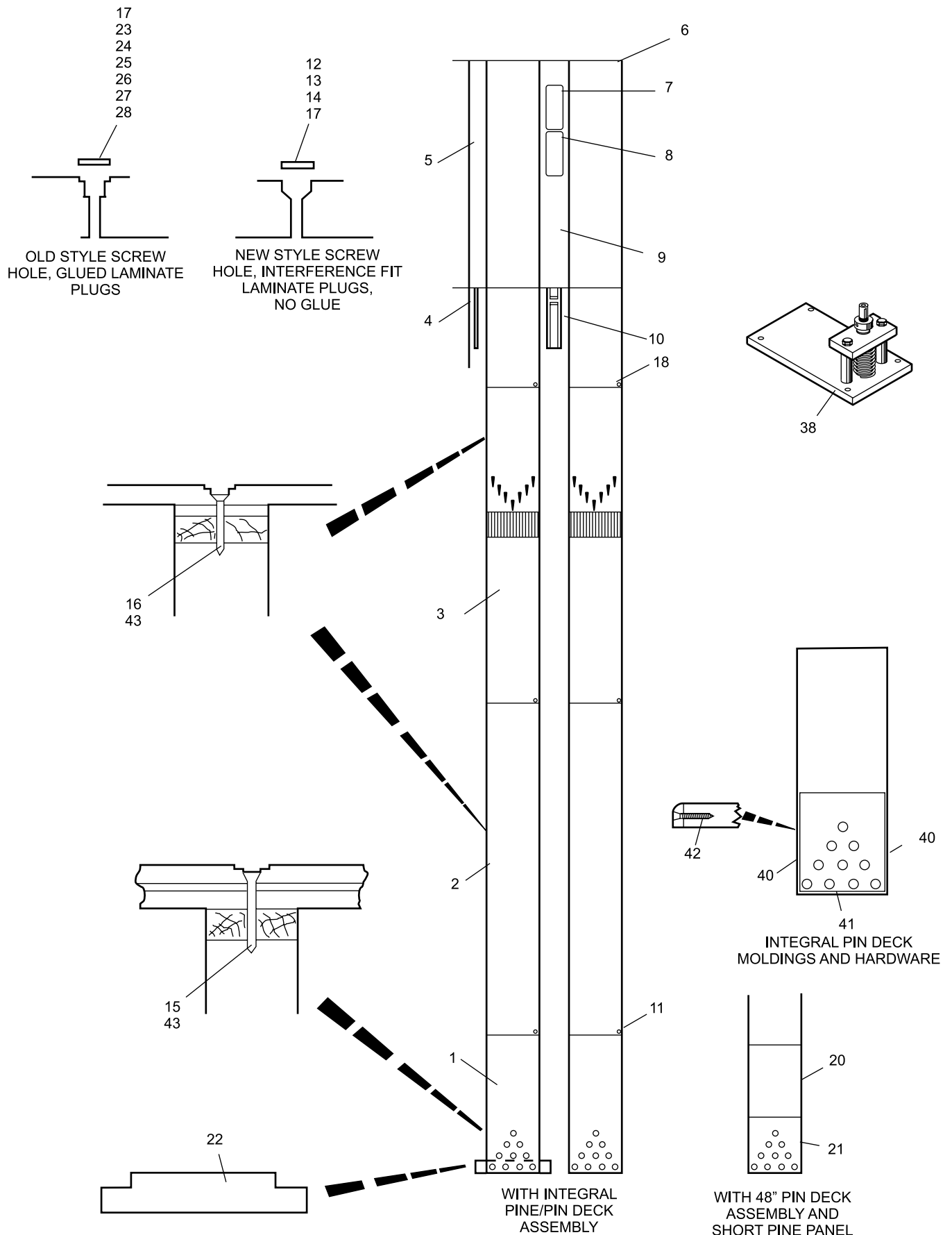
* For installations 1988 and after.

** For installations prior to 1988.

*** Not illustrated.

**** Squash Plug not available use appropriate size Pine Plug

Armor Plate Lanes - Laminate Plugs & Patch Kits



Armor Plate Lanes - Laminate Plugs & Patch Kits

Index

No.	Part No.		Description
1.	N.A.		Pin Deck Assembly - Complete
	52-860151-000	N.A.	Foot Package - Complete (Contains 4 feet)
2.	11-084610-001		Self Tapping C. R. Flat Hd. Screw (#14-10 x 1-3/4")
3.	52-100243-001		Side Edge Moulding (48" x 2-1/16")
	52-100244-000		Rear Edge Moulding (40-3/4" x 2-1/16")
4.	52-100224-000		Adjusting Screw
5.	11-125213-001		Hex Jam Nut (5/8-18)
6.	11-195020-001		Lockwasher (5/8)
7.	52-100223-003		Adjusting Foot (L. H. Thread)
8.	52-100222-000	N.A.	Adjusting Screw and Foot Assembly - Complete
9.	52-100223-002		Adjusting Screw Foot (R. H. Thread)
10.	N.A.		Self Tapping C. R. Pan Hd. Screw (1/4 x 1-1/2")
11.	N.A.		Self Tapping Hex Hd. Washer Screw (5/16-18 x 1-1/4")
12.	52-100014-000		Maple Spline
13.	N.A.		C. R. Flat Hd. Machine Screw (5/16-18 x 2-1/2")
14.	11-190012-001		Flat Washer (5/16)
15.	11-170009-001		Self Locking Nut (5/16-18)
16.	11-040227-001		C. R. Flat Hd. Wood Screw (#20 x 4")
17.	N.A.		Bed Angle Bracket
18.	11-071061-001	N.A.	Carriage Bolt (3/8-16 x 3-1/2")
19.	11-190014-001		Flat Washer (3/8)
20.	11-170011-001		Self Locking Nut (3/8-16)
21.	52-100288-000	N.A.	Pin Deck Angle Bracket
22.	N.A.		Self Tapping C. R. Pan Hd. Screw (1/4 x 1-1/2")
23.	N.A.		Self Tapping C. R. Flat Hd. Screw (#12 x 2")
24.	21-202156-000	N.A.	Lower Pit Header Plank
25.	52-100009-000		Fill Block (for tail Plank)
26.	N.A.		Barrel Nut
27.	N.A.		Self Tapping Hex Hd. Washer Screw (5/16-18 x 1")
28.	N.A.		Splice Plate
29.	N.A.		Hex Hd. Cap Screw (1/4-20 x 6")
30.	11-190530-001		Flat Washer
31.	52-100079-000		Rear Phenolic Strip - Back (40" x 2-3/4")
32.	52-100078-000		Phenolic Strip - Side (48" x 2-3/4")
33.	N.A.		Phenolic Sheet - Top
34.	*52-100091-000	N.A.	Stop Pin
	**21-016034-000	R.O.	Black Fibre Bed Spot
	52-100087-000	N.A.	Paper Spacer (order separate if needed)
35.	N.A.		Slt'd. Flat Hd. Machine Screw (5/16-18 x 2-1/2")
36.	N.A.		Deck Angle Bracket
37.	11-190010-001		Flat Washer (1/4)
38.	11-195016-001		Lockwasher (3/8)
39.	11-125011-001		Hex Nut (3/8-16)
40.	11-125112-001	N.A.	Hex Nut (5/8-11)
41.	11-190022-001		Flat Washer (5/8)
42.	N.A.		Upper Support Plate
43.	11-125212-000	N.A.	Hex Jam Nut (5/8-11)
44.	N.A.		Lower Support Plate
45.	N.A.		Slt'd. Flat Hd. Wood Screw (#12 x 2")

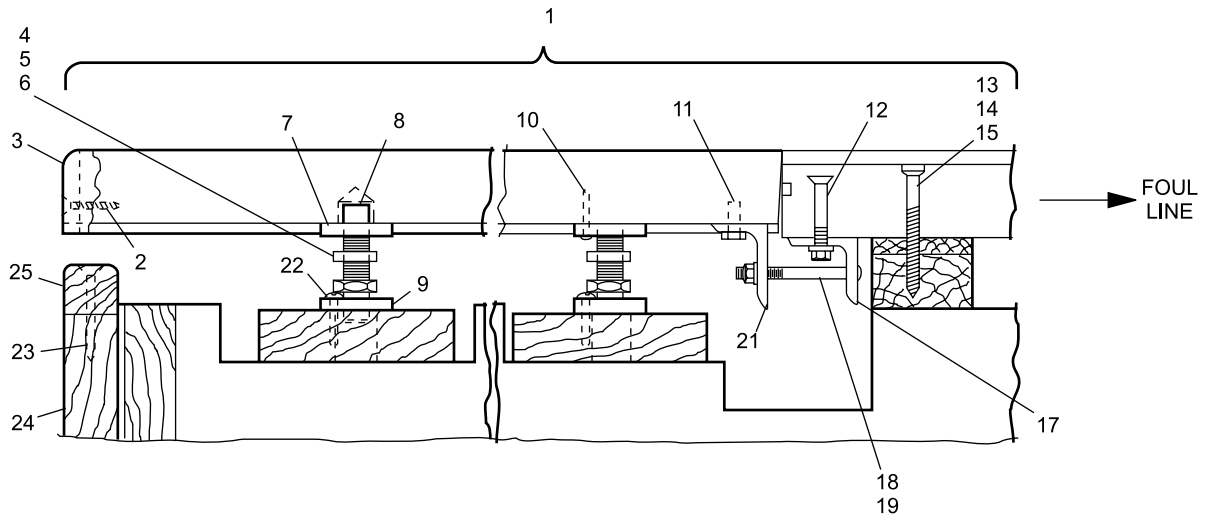
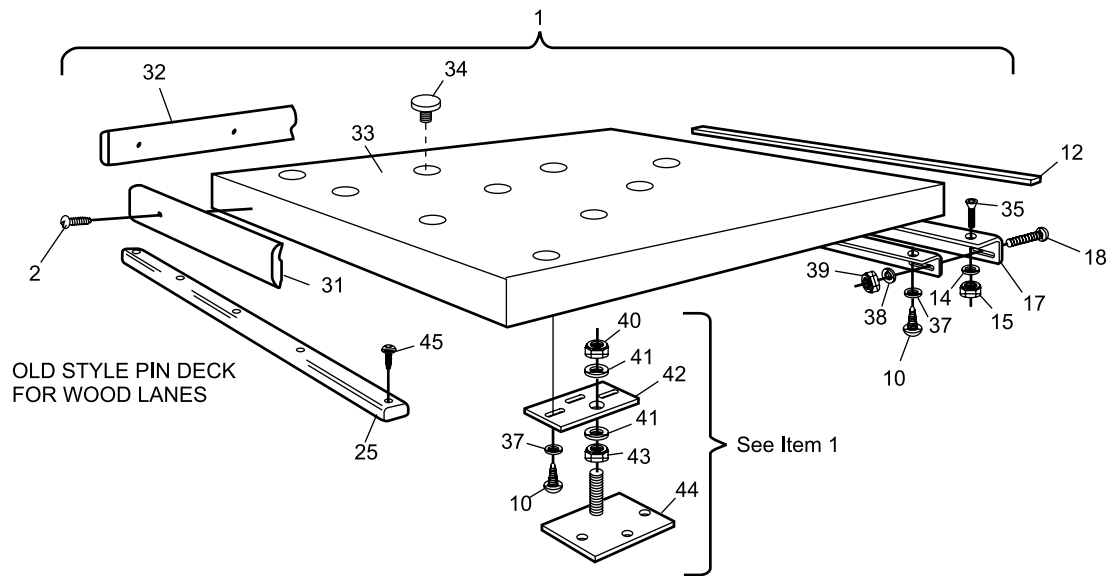
N.A. = No Longer Available

R.O. = Replacement Option

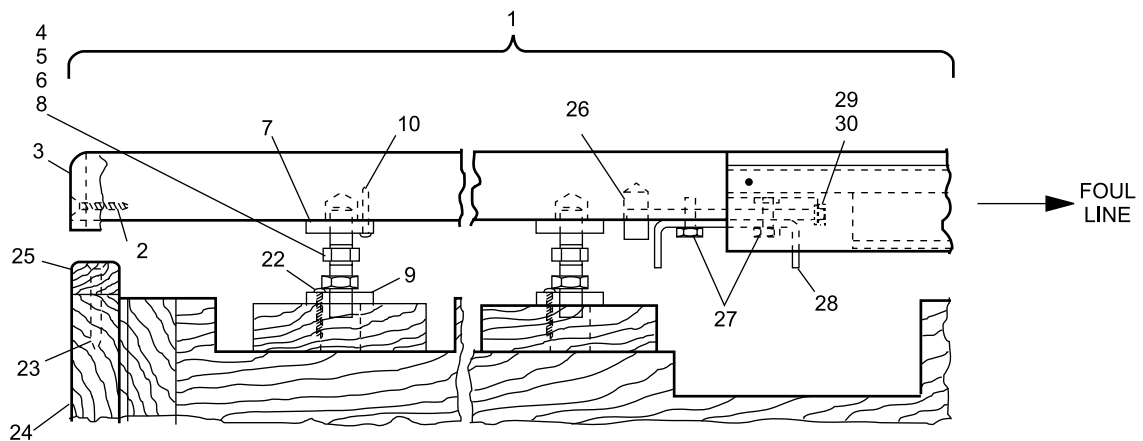
* For Armor Plate Pin Decks so equipped. For replacement of worn original pin spots, contact your local Brunswick Service Representative.

** Not Illustrated

Old Style Pin Deck Assemblies For Lanes So Equipped



WOODLANE, AMOR PLATE & ANVILANE PINDECK



SYSTEMS 2000 PINDECK

Old Style Pin Deck Assemblies For Lanes So Equipped

Index		
No.	Part No.	Description
1.	84-860510-000	Anti-Skid Pindeck Assembly
2.	84-200263-900	S.O. Anvilane 7/16" Pine Panel 41-7/8" x 142-1/2"
3.	84-200272-900	S.O. Anvilane 7/16" Head Panel 41-7/8" x 126-1/2"
4.	84-200262-900	S.O. Anvilane 7/16" Foul Line Panel 41-7/8" x 142-1/2"
5.	84-200265-900	S.O. Anvilane 7/16" Approach Panel 41-7/8" x 144"
6.	84-200267-999	S.O. Anvilane 7/16" Modernization/Wide Ball Return Fill Panel 28-7/8" x 144"
	84-200268-900	S.O. Anvilane 7/16" New Start/Narrow Ball Return Fill Panel 28-1/2" x 144"
7.	84-200266-999	S.O. Anvilane 7/16" Modernization/Wide Division Fill Panel 20-15/16" x 144"
	84-200269-900	S.O. Anvilane 7/16" New Start/Narrow Division Fill Panel 20-31/32" x 12'
8.	84-200261-900	S.O. Anvilane 7/16" Approach Walkway Fill Panel 43" Wide 43" x 145-1/4"
9.	84-860423-900	S.O. Pine Laminate Plug - Pkg. of 60 (.445" Dia.)
	84-860424-900	S.O. Pine Laminate Plug - Pkg. of 60 (.45" Dia.)
10.	11-081208-000	Robertson Flat Head Screw (#10 x 2")
11.	84-860520-000	Pin Deck Plugs - Pkg. of 15 (.687 Dia.)
12.	11-081203-000	Robertson Flat Head Screw (#14 x 4")
13.	11-700077-000	#2 Robertson Driver Bit
14.	11-700078-000	#3 Robertson Driver Bit

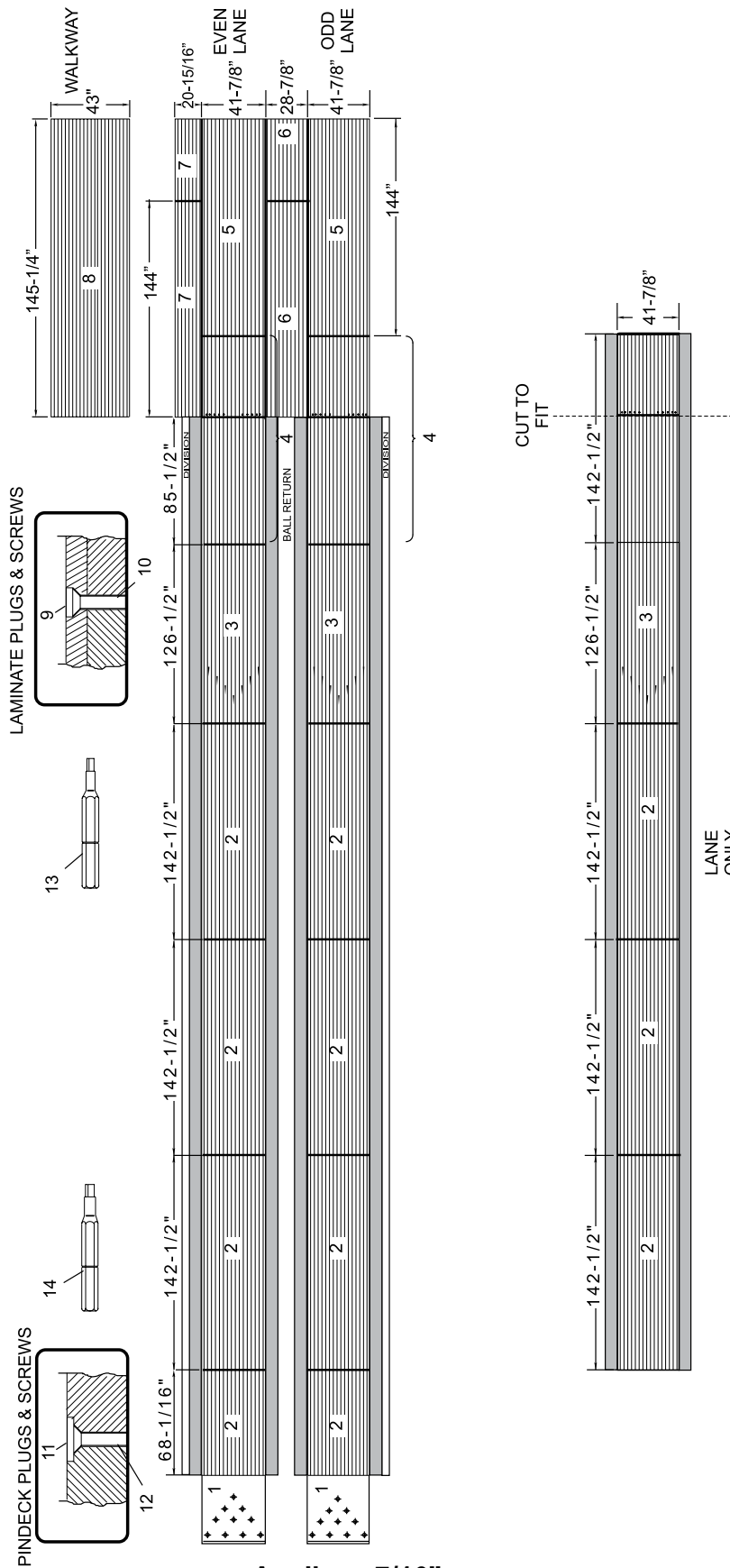
N.A. = No Longer Available
S.O. = Special Order

Index		
No.	Part No.	Description
1.	84-860510-000	S.O. Anti-Skid Pindeck Assembly
2.	84-200263-000	S.O. Anvilane 7/16" Pine Panel 41-7/8" x 142-1/2"
3.	84-200272-000	S.O. Anvilane 7/16" Head Panel 41-7/8" x 126-1/2"
4.	84-200262-000	S.O. Anvilane 7/16" Foul Line Panel 41-7/8" x 142-1/2"
5.	84-200265-000	S.O. Anvilane 7/16" Approach Panel 41-7/8" x 144"
6.	84-200267-000	S.O. Anvilane 7/16" Modernization/Wide Ball Return Fill Panel 28-7/8" x 144"
	84-200268-000	S.O. Anvilane 7/16" New Start/Narrow Ball Return Fill Panel 28-1/2" x 144"
7.	84-200266-000	S.O. Anvilane 7/16" Modernization/Wide Division Fill Panel 20-15/16" x 144"
	84-200269-000	S.O. Anvilane 7/16" New Start/Narrow Division Fill Panel 20-31/32" x 144"
8.	84-200261-000	S.O. Anvilane 7/16" Approach Walkway Fill Panel 43" Wide 43" x 145-1/4"
9.	84-860420-000	Maple Laminate Plug - Pkg. of 60 (.445" Dia.)
	84-860421-000	Maple Laminate Plug - Pkg. of 60 (.45" Dia.)
	84-860423-000	N.A. Pine Laminate Plug - Pkg. of 60 (.445" Dia.)
	84-860424-000	Pine Laminate Plug - Pkg. of 60 (.45" Dia.)
10.	11-081208-000	Robertson Flat Head Screw (#10 x 2")
11.	84-860520-000	Pin Deck Plugs - Pkg. of 15 (.687 Dia)
12.	11-081203-000	Robertson Flat Head Screw (#14 x 4")
13.	11-700077-000	#2 Robertson Driver Bit
14.	11-700078-000	#3 Robertson Driver Bit

N.A. = No Longer Available
S.O. = Special Order

Anvilane 7/16"
Non-Textured "Plate Finish"
GID

Anvilane 7/16"
Non-Textured "Plate Finish"
Non GID



Anvilane 7/16"
Non-Textured "Plate Finish"

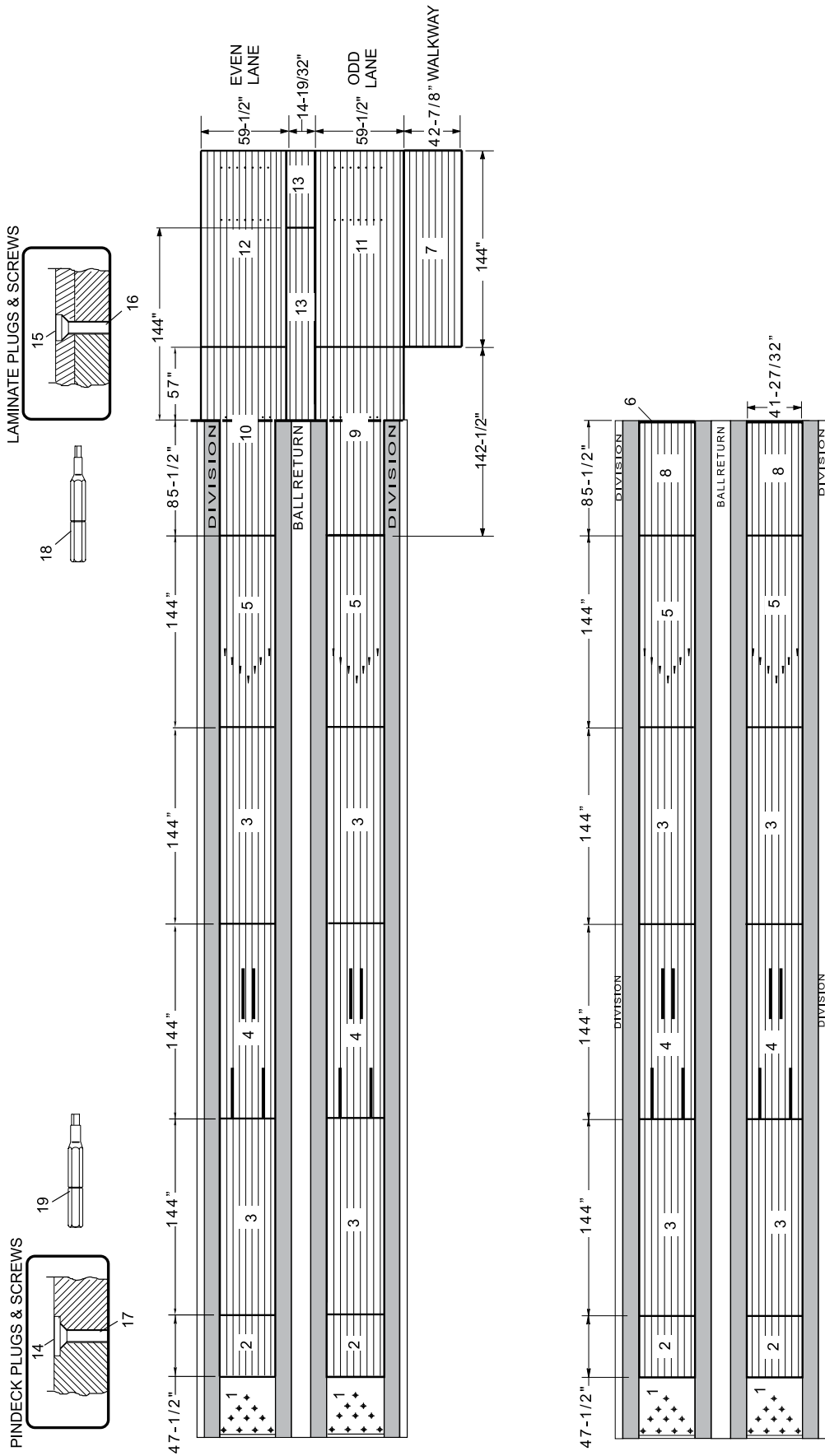
Index

No.	Part No.	Description
1.	84-860510-000	Anti-Skid Pin Deck
2.	84-200695-999	Pro Lane Short Lane Panel (41-27/32" x 47-1/8") cut to fit
3.	84-200693-999	Pro Lane Lane Panel (41-27/32" x 144")
4.	84-200694-999	ProLane Lane Panel (with characters) (41-27/32" x 144")
5.	84-200692-999	Pro Lane Head Lane Panel (41-27/32" x 144")
6.	84-200365-000	Foul Line - Urethane (42-1/2" x 3/4" x 1/2")
7.	84-200704-999	Pro Lane Walkway Fill Panel (42-1/2" x 145-1/4")
	84-200446-999	S.O. Pro Lane Walkway Non-Textured Fill Panel (42-1/2" x 145-1/4")
8.	84-200700-999	Pro Lane Foul Line Lane (lane only) (41-27/32" x 85-12")
	84-200447-999	Pro Lane Non-Textured Foul Line Panel (41-27/32" x 85-12") - Lane Only
9.	84-200699-999	L.H. Pro Lane Foul Line Lane Panel (59-1/2" x 142-1/2")
10.	84-200698-999	R.H. Pro Lane Foul Line Lane Panel (59-1/2" x 142-1/2")
11.	84-200697-999	L.H. Pro Lane Approach Lane Panel Textured (59-1/2" x 144")
	84-200401-999	S.O. L.H. Pro Lane Approach Non-Textured Lane Panel (41-27/32" x 85-1/2")
12.	84-200696-999	R.H. Pro Lane Approach Lane Panel Textured (59-1/2" x 144")
	84-200436-999	R.H. Pro Lane Approach Lane Panel Non- Textured (59-1/2" x 144")
13.	84-200701-999	Pro Lane New Start/Narrow Ball Return Fill Panel (14-5/32" x 144") cut to fit
	84-200702-999	Pro Lane Modernization/Wide Ball Return Fill Panel (15-1/4" x 144") cut to fit
	84-200445-999	Pro Lane Modernization/Wide Ball Return Fill Non-Textured Panel (15-1/4" x 144") cut to fit
	84-200495-999	Pro Lane Non-Textured Newstart/Narrow Ball Return Fill Panel (14-5/32" x 144") Cut to Fit
14.	84-860520-000	Pin Deck Plugs - .687 Dia. (Qty. 15)
15.	84-860600-999	Lane Plugs (Qty. 500)
16.	11-081208-000	Robertson Flat Head Screw (#10 x 2")
17.	11-081203-000	Robertson Flat Head Screw (#14 x 4")
18.	11-700077-000	#2 Robertson Driver Bit
19.	11-700078-000	#3 Robertson Driver Bit

S.O. = Special Order

**Pro Lane
GID**

Pro Lane
GID



Index No.	Part No.	Description
1.	84-200712-999	Anvilane/IQ 3/8" Synthetic Right Hand Textured Approach Panel (59-1/2" x 144")
	84-200664-999	S.O. Anvilane/IQ 3/8" Synthetic Right Hand Non-Textured Approach Panel (59-1/2" x 144")
2.	84-200711-999	L.H. Anvilane/IQ 3/8" Synthetic Textured Approach Panel (59-1/2" x 144")
	84-200663-999	N.A. L.H. Anvilane/IQ 3/8" Synthetic Non-Textured Approach Panel (59-1/2" x 144")
3.	84-200714-999	R.H. Anvilane/IQ 3/8" Synthetic Textured Foul Line Panel (59-1/2" x 142-1/2")
	84-200666-999	N.A. R.H. Anvilane/IQ 3/8" Synthetic Non-Textured Foul Line Panel (59-1/2" x 142-1/2")
4.	84-200713-999	L.H. Anvilane/IQ 3/8" Synthetic Textured Foul Line Panel (59-1/2" x 142-1/2")
	84-200665-999	S.O. L.H. Anvilane/IQ 3/8" Synthetic Non-Textured Foul Line Panel (59-1/2" x 142-1/2")
5.	84-200715-999	Anvilane/IQ 3/8" Synthetic Textured Modernization/Wide Ball Return Fill Panel (14-3/8")
	84-200660-999	S.O. Anvilane/IQ 3/8" Synthetic Non-Textured Modernization/Wide Ball Return Fill Panel (14-3/8")
	84-200716-999	Anvilane/IQ 3/8" Synthetic Textured New Start/Narrow Ball Return Fill Panel (14-3/8")
	84-200661-999	N.A. Anvilane/IQ 3/8" Synthetic Non-Textured New Start/Narrow Ball Return Fill Panel (14-3/8")
6.	84-200708-999	R.H. Anvilane/IQ 3/8" Synthetic Arrow Panel (41-7/8" x 144")
7.	84-200707-999	L.H. Anvilane/IQ 3/8" Synthetic Arrow Panel (41-7/8" x 144")
8.	84-200706-999	R.H. Anvilane/IQ 3/8" Synthetic Common Panel (41-7/8" x 144")
9.	84-200705-999	L.H. Anvilane/IQ 3/8" Synthetic Common Panel (41-7/8" x 144")
10.	84-200710-999	R.H. Anvilane/IQ 3/8" Synthetic Short Panel (41-7/8" x 144")
11.	84-200709-999	L.H. Anvilane/IQ 3/8" Synthetic Short Panel (41-7/8" x 144")
12.	84-200717-999	Anvilane/IQ 3/8" Synthetic Textured Walkway Fill Panel (42-7/8" x 144")
	84-200722-999	Anvilane/IQ 3/8" Synthetic Non-Textured Walkway Fill Panel (42-7/8" x 144")
13.	84-200719-999	R.H. Anvilane/IQ 3/8" Synthetic Lane Only Foul Line Panel (41-7/8" x 144")
14.	84-200718-999	L.H. Anvilane/IQ 3/8" Synthetic Lane Only Foul Line Panel (41-7/8" x 144")
15.	84-200721-999	R.H. Anvilane/IQ 3/8" Synthetic Lane Only Arrow Panel (41-7/8" x 144")
16.	84-200720-999	L.H. Anvilane/IQ 3/8" Synthetic Lane Only Arrow Panel (41-7/8" x 144")
17.	84-860600-999	Lane Plugs Pkg. of 500
18.	11-081208-000	Robertson Flat Head Screw (#10 x 2")
19.	84-860520-000	Pin Deck Plug Pkg. of 15 (.687 Dia.)
20.	11-081203-000	Robertson Flat Head Screw (#14 x 4")
21.	11-700078-000	#3 Robertson Driver Bit
22.	11-700077-000	#2 Robertson Driver Bit

S.O. = Special Order
N.A. = No Longer Available

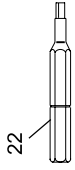
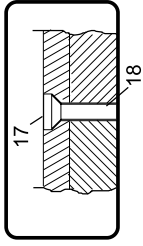
Anvilane IQ 3/8"
GID

Index No.	Part No.	Description
1.	84-200712-000	R.H. Anvilane/IQ 3/8" Synthetic Textured Approach Panel (59-1/2" x 144")
	84-200664-000	S.O. R.H. Anvilane/IQ 3/8" Synthetic Right Hand Non-Textured Approach Panel (59-1/2" x 144")
2.	84-200711-000	L.H. Anvilane/IQ 3/8" Synthetic Textured Approach Panel (59-1/2" x 144")
	84-200663-000	S.O. L.H. Anvilane/IQ 3/8" Synthetic Non-Textured Approach Panel (59-1/2" x 144")
3.	84-200714-000	R.H. Anvilane/IQ 3/8" Synthetic Textured Foul Line Panel (59-1/2" x 142-1/2")
	84-200666-000	S.O. R.H. Anvilane/IQ 3/8" Synthetic Non-Textured Foul Line Panel (59-1/2" x 142-1/2")
4.	84-200713-000	L.H. Anvilane/IQ 3/8" Synthetic Textured Foul Line Panel (59-1/2" x 142-1/2")
	84-200665-000	S.O. L.H. Anvilane/IQ 3/8" Synthetic Non-Textured Foul Line Panel (59-1/2" x 142-1/2")
5.	84-200715-000	Anvilane/IQ 3/8" Synthetic Textured Modernization/Wide Ball Return Fill Panel (14-3/8")
	84-200660-000	S.O. Anvilane/IQ 3/8" Synthetic Non-Textured Modernization/Wide Ball Return Fill Panel (14-3/8")
	84-200716-000	Anvilane/IQ 3/8" Synthetic Textured New Start/Narrow Ball Return Fill Panel (14-3/8")
	84-200661-000	S.O. Anvilane/IQ 3/8" Synthetic Non-Textured New Start/Narrow Ball Return Fill Panel (14-3/8")
6.	84-200708-000	R.H. Anvilane/IQ 3/8" Synthetic Arrow Panel (41-7/8" x 144")
7.	84-200707-000	L.H. Anvilane/IQ 3/8" Synthetic Arrow Panel (41-7/8" x 144")
8.	84-200706-000	R.H. Anvilane/IQ 3/8" Synthetic Common Panel (41-7/8" x 144")
9.	84-200705-000	L.H. Anvilane/IQ 3/8" Synthetic Common Panel (41-7/8" x 144")
10.	84-200710-000	R.H. Anvilane/IQ 3/8" Synthetic Short Panel (41-7/8" x 144")
11.	84-200709-000	L.H. Anvilane/IQ 3/8" Synthetic Short Panel (41-7/8" x 144")
12.	84-200717-000	Anvilane/IQ 3/8" Synthetic Textured Walkway Fill Panel (42-7/8" x 144")
	84-200722-000	Anvilane/IQ 3/8" Synthetic Non-Textured Walkway Fill Panel (42-7/8" x 144")
13.	84-200719-000	R.H. Anvilane/IQ 3/8" Synthetic Lane Only Foul Line Panel (41-7/8" x 144")
14.	84-200718-000	L.H. Anvilane/IQ 3/8" Synthetic Lane Only Foul Line Panel (41-7/8" x 144")
15.	84-200721-000	R.H. Anvilane/IQ 3/8" Synthetic Lane Only Arrow Panel (41-7/8" x 144")
16.	84-200720-000	L.H. Anvilane/IQ 3/8" Synthetic Lane Only Arrow Panel (41-7/8" x 144")
17.	84-860600-000	Lane Plugs (Qty. 500) - Non-Glow
18.	11-081208-000	Robertson Flat Head Screw (#10 x 2")
19.	84-860520-000	Pin Deck Plugs Pkg. of 15 (.687 Dia.)
20.	11-081203-000	Robertson Flat Head Screw (#14 x 4")
21.	11-700078-000	#3 Robertson Driver Bit
22.	11-700077-000	#2 Robertson Driver Bit

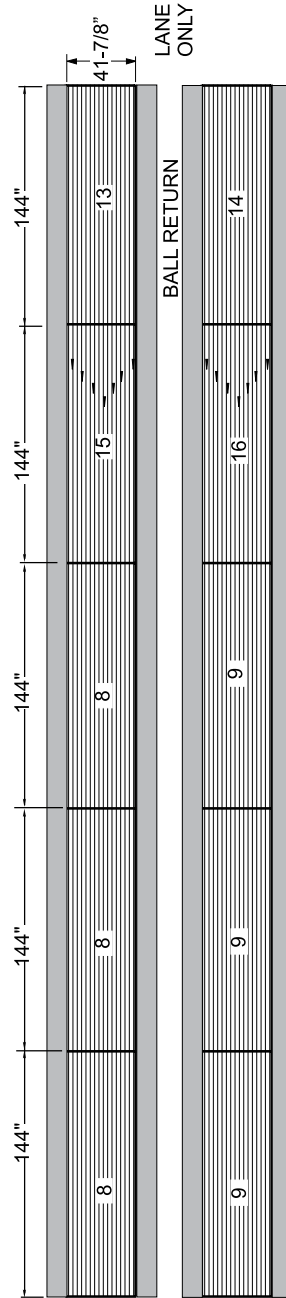
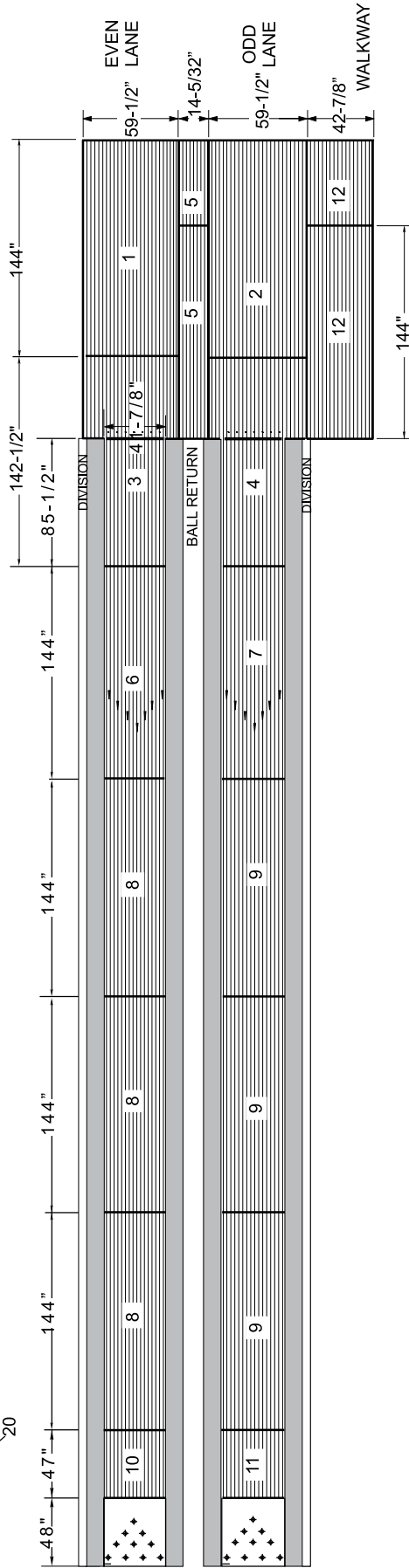
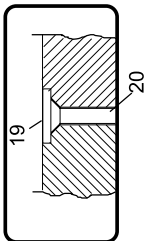
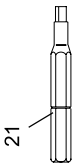
S.O. = Special Order
N.A. = No Longer Available

Anvilane IQ 3/8"
Non GID

LAMINATE PLUGS & SCREWS



PINDECK PLUGS & SCREWS



Anvilane IQ 3/8"