

Section B

**WOOD LANES
&
WOOD GUTTERS**

Index

No.	Part No.		Description
1.	*52-100083-002	N.A.	Maple Bedstock (1-5/64" x 2-3/4")
2.	*21-057216-000	N.A.	Pine Bedstock (1-5/64" x 2-3/4")
3.	*21-042538-000		Maple Patching (1-3/32" x 3/4")
	*21-033042-000		Maple Patching(1-9/64" x 3/4")
4.	*21-042539-000	N.A.	Pine Patching(1-3/32" x 3/4")
	21-033043-000		Pine Patching (1-9/64" x 3/4")
5.	**15-066169-000	N.A.	Magic Wood (1 Lb. Can)
BLACK FIBRE FOUL LINE			
6.	21-082527-000	N.A.	42-1/2" x 1/2" x 1/2"
	21-042886-000	N.A.	42-1/2" x 3/4" x 1/2"
	84-200365-000	R.O.	(Foul Line Urethane)
	21-047665-000	N.A.	42-1/2" x 1" x 1/2"
	21-081895-000		42-1/2" x 1" x 1/2" (Cut for 21-089814-000 Spline)
	84-200365-000		42-1/2" x 3/4" x 1/2" Urethane Foul Line
7.	21-089814-000	N.A.	Spline - Aluminum(Used w/124-01-010)
8.	21-042904-000		Fibre Dowel (3/16" x 2")
9.	21-016034-000		Black Fibre Bed Spot
10.	N.A.		Nu-Wood (6" x 3-1/2" x 1/2")
11.	52-100210-000		Nu-Wood (42" x 3-1/2" x 1/2")
12.	N.A.		Nu-Wood (48" x 1-5/8" x 1/2")
13.	21-087297-000	N.A.	Plywood (42" x 7-1/2" x 1/2")
14.	N.A.		Trim Panel (84" x 10" x 1/4")
	19-083209-000		Trim Panel (84" x 18" x 1/4")
15.	52-100201-000		Maple Shoe Moulding (L.F.)
	52-100202-000	N.A.	Pine Shoe Moulding (L.F.)
16.	52-100291-000		Maple Base Moulding (L.F.) 5-1/2"
17.	**16-590060-000	N.A.	White Glue (1/2 Pint)
18.	N.A.		Bed Clamp
19.	N.A.		Slted. Flat Hd. Wood Screw (#14 x 1-1/2")
20.	52-200061-000	N.A.	Maple Approach Flooring (1-5/64" x 1-1/2") -
	52-200061-003	R.O.	White Maple Approach
21.	**N.A.		Slted. Flat Hd. Wood Screw (#12 x 1-1/2")
	N.A.		Slted. Flat Hd. Wood Screw (#12 x 1-3/4")
	11-040663-001	N.A.	Slted. Flat Hd. Wood Screw (#14 x 3")
	15-611285-000	N.A.	C.R. Flat Hd. Wood Screw (#14 x 3-1/2")
	15-610089-000	N.A.	Slted. Flat Hd. Wood Screw (#16 x 1-3/4")
	11-040695-001	N.A.	Slted. Flat Hd. Wood Screw (#16 x 3-1/2")
	11-040227-001		Slted. Flat Hd. Wood Screw (#20 x 4")
	11-040228-001		C. R. Flat Hd. Wood Screw (#20 x 4-1/2")
22.	52-100203-000		Maple Dowel (1/2" x 1")
	52-100204-000		Maple Dowel (11/16" x 2-1/2")
23.	52-033065-000	N.A.	Pine Dowel (1/2" x 1")
	52-100211-000		Pine Dowel (11/16" x 2-1/2")
24.	52-200060-000		Red Fibre Dowel (11/16" x 3/4")
25.	52-200059-000		Red Fibre Dowel (1/2" x 3/4")
26.	**11-900107-000	N.A.	#8D Nail (Lb.)
	11-900108-000	N.A.	#10D Nail (Lb.)
	52-100209-000		#6D Screw Nail (Lb.)
	N.A.		#13 x 3/4" Nail (Lb.)
	N.A.		#6D Finishing Nail
27.	21-202155-000	N.A.	Upper Pit Header Plank
28.	**21-202156-000	N.A.	Lower Pit Header Plank
29.	21-202429-000	N.A.	Spline
30.	52-100315-000	N.A.	Bed Bolt (1/2-13 x 40-3/8")
31.	11-190018-001		Flat Washer (1/2)
32.	11-125108-001		Hex Nut (1/2-13)
33.	N.A.		General Lane Patch Kit
	61-860074-000	N.A.	Epoxy Pine Patch Kit
	61-860074-999		Epoxy Maple Patch Kit (GID)
	61-860073-000		Epoxy Maple Patch Kit
	61-860073-999		Epoxy Maple Patch Kit (GID)
	N.A.		Synthetic Lane Patch Kit
34.	52-200058-000		Range Finder Dart
35.	**11-676654-000	N.A.	Adhesive (for Dart Installation) - 4 oz
36.	52-860207-000	S.O.	Bridge Level w/Case
37.	52-100374-000	S.O.	Glass Vial Only
38.	11-125004-001		Hex Nut (10-24)
39.	N.A.		Slted. Rd. Hd. Machine Screw (10-24 x 2")
40.	**N.A.		Carrying Case Only

N.A. = No Longer Available

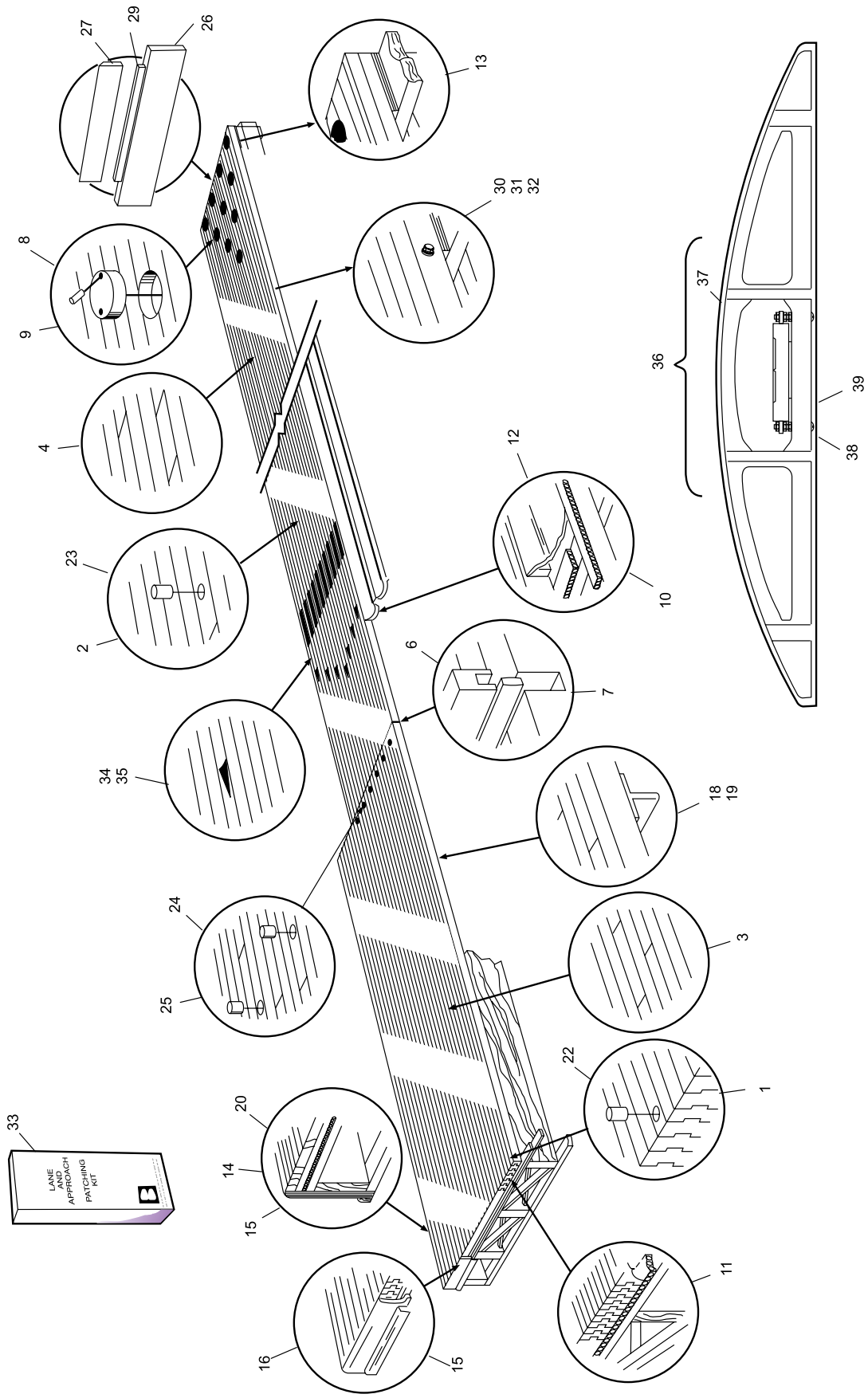
R.O. = Replacement Option

S.O. = Special Order

* Minimum order quantity is 30 feet

** Not Illustrated

Lane & Pit End Material



Lane & Pit End Material

Index

No.	Part No.	Description
<u>WOOD GUTTERS</u>		
1.	N.A.	L.H. Approach End - Ten Pin
2.	N.A.	R. H. Approach End - Ten Pin
3.	52-080462-000	N.A. Center and Pit End - Ten Pin ADAPTER BLOCK
4.	N.A.	L.H. Outside - Charcoal Gray
	N.A.	L.H. Outside - "2000" Brown
5.	N.A.	L.H. Inside - Charcoal Gray
	52-100021-600	L.H. Inside - "2000" Brown
6.	N.A.	R.H. Inside - Charcoal Gray
	52-100020-600	R.H. Inside - "2000" Brown
7.	N.A.	R.H. Outside - Charcoal Gray
	52-100020-600	R.H. Outside - "2000" Brown
8.	21-090495-000	N.A. Gutter Coupler - Ten Pin
	11-086365-003	Self Tapping C.R. Flat Hd. Screw (#8 x 3/4")
	52-100207-000	N.A. Grommet Nut
9.	52-860062-004	N.A. L.H. Pit End Gutter Assembly
10.	52-860062-003	N.A. R.H. Pit End Gutter Assembly
11.	52-100205-005	N.A. L.H. Pit End Gutter Moulding
12.	52-100205-004	N.A. R.H. Pit End Gutter Moulding
13.	52-100205-006	N.A. Pit End Gutter Bottom
14.	21-089714-002	N.A. Gutter Head
<u>WOOD GUTTER</u>		
15.	N.A.	L.H. Approach End - Duck and Candle Pin
16.	N.A.	R.H. Approach End - Duck and Candle Pin
17.	N.A.	Center and Pit End - Duck and Candle Pin
18.	21-090496-000	N.A. Gutter Coupler - Duck and Candle Pin
19.	N.A.	Outside Rear Gutter
20.	N.A.	Inside Rear Gutter
21.	N.A.	R.H. Outside Front Gutter
22.	N.A.	L.H. Outside Front Gutter
23.	N.A.	R.H. Inside Front Gutter
24.	N.A.	L.H. Inside Front Gutter
25.	*N.A.	Front Fibre Plate 33" x 15" x 3/16")
	52-200005-002	R.H. Kickback Plate (16 x 40)
26.	N.A.	Fibre Plate (15" x 50" x 3/16")
27.	N.A.	#13 x 3/4" Nail (Lb.)
28.	*21-088674-000	Rear Fibre Plate (21-3/4" x 19" x 3/16")
29.	21-042885-000	N.A. Ten Pin Spot End (2-3/4" x 1-5/64" x 46")
30.	21-042884-000	N.A. Ten Pin Spot End (2-3/4" x 1-5/64" x 62")
31.	N.A.	Maple Pit End Strip w/Fibre
	52-100030-000	N.A. Maple Pit End Strip w/Phenolic (1-5/64" x 2-3/4" x 46")

Index

No.	Part No.	Description
32.	N.A.	Fibre Bed Plate (42" x 41" x 3/8")
33.	N.A.	Cleat - 3 Ply Full Bored w/o Hdwe. - 39 Boards (1-1/2" x 42" x 14")
34.	N.A.	Cleat - 3 Ply Full Bored w/o Hdwe. - 42 Boards
35.	N.A.	Cleat - 3 Ply Unbored w/o Hdwe.
36.	***N.A.	Apron Assembly - Ten Pin
37.	***N.A.	Apron Assembly - Duck and Candle Pin
38.	***N.A.	Metal Loop - Ten Pin
39.	***N.A.	Metal Loop - Duck and Candle Pin
40.	***N.A.	Loop Bracket
41.	***N.A.	Slt'd. Rd. Hd. Wood Screw (#8 x 3/4")
42.	***N.A.	Stud
43.	***N.A.	Lower Fibre Plate (7-3/8" x 31" x 3/16")
44.	***N.A.	Upper Fibre Plate (15" x 65" x 3/16")
45.	***N.A.	Adhesive for Fibre Plate
46.	***N.A.	Rim Panel - See Note (6-3/4" x 54" x 1/8")
47.	***11-676047-000	Cement (One Gallon)

N.A. = No Longer Available

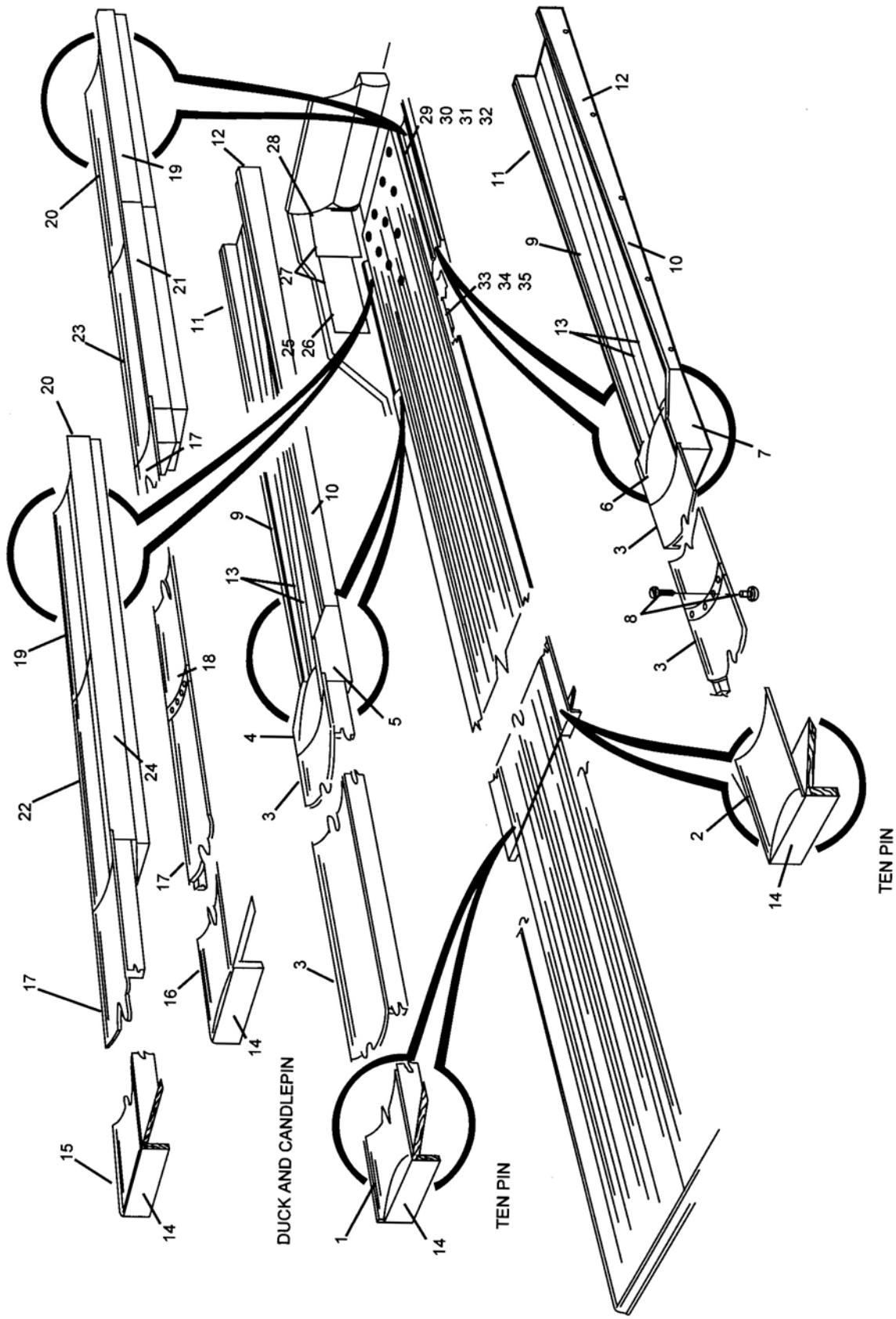
* Use Nail (179859) and Index No. 47 (11-676047-000) Cement

** These wood gutter products are no longer available. There is no direct replacement but the following assembly is a recommended replacement: 84-860557-000 Flat Gutter and Hardware Package. Please note this gutter assembly is made out of HDPE not wood. The assembly will replace index 9, 10, 11, 12, 13.

*** Not Illustrated

NOTE: Use to cover top of double kickback.

**Wood Gutters
Lane & Pit End Materials**



**Wood Gutters
Lane & Pit End Materials**