

Section C

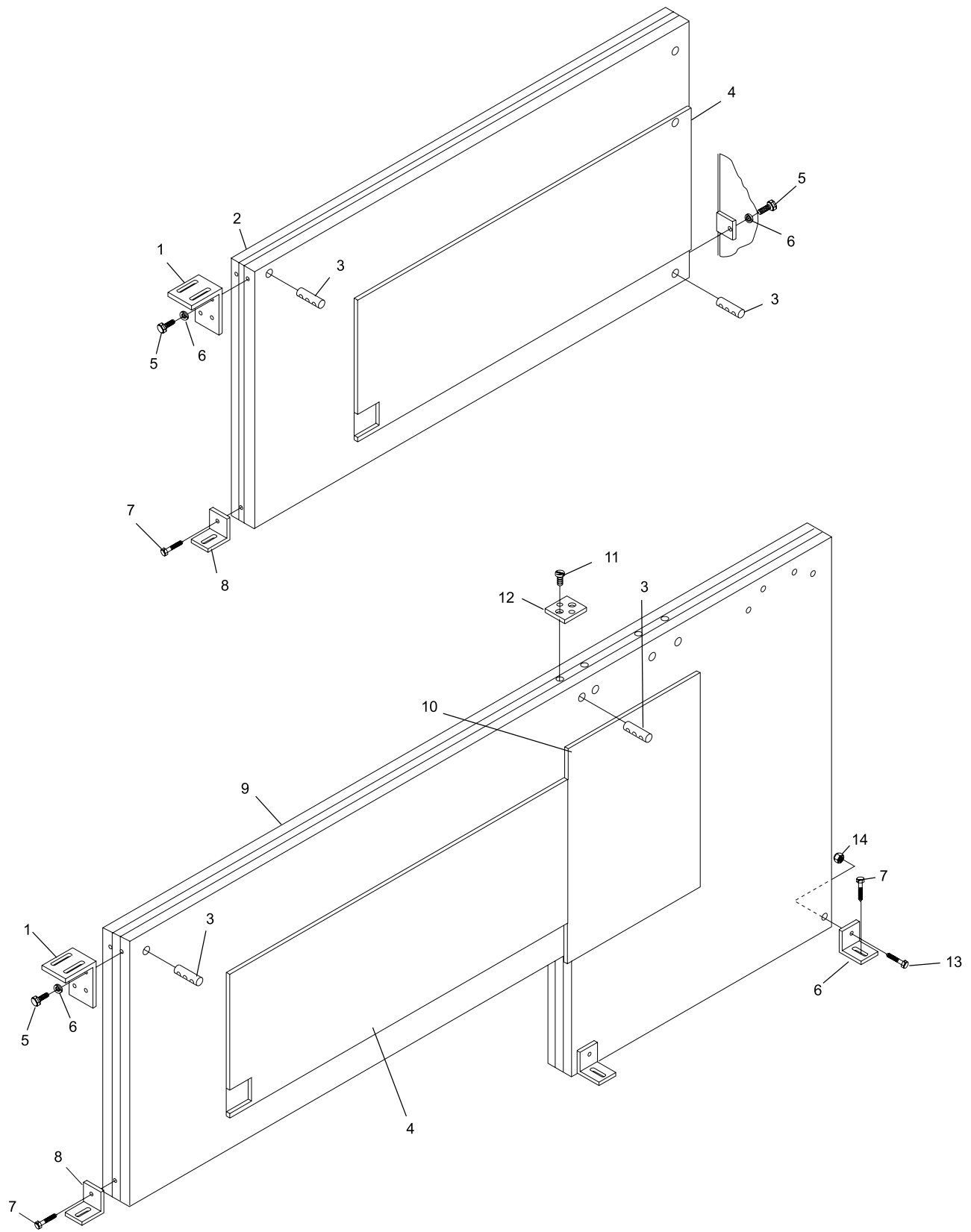
**KICKBACKS**

No.	Index Part No.	Description
1.	47-080207-003	Angle Bracket
2.	84-200074-002	N.A. Kickback - Accelerator - R. H. (GS-10)
	84-200074-003	N.A. Kickback - Accelerator - L. H. (GS-10)
3.	84-200073-000	Barrel Nut
4.	*52-200005-002	R.H. Kickback Plate (16 x 40) (7 Pin Side)
	*52-200005-004	L.H. Kickback Plate (16 x 40) (10 Pin Side)
5.	N.A.	Metric Hex Hd. Cap Screw (8 mm x 60 mm)
6.	11-051770-001	Metric Lockwasher (8mm)
7.	11-053303-001	Metric Hex Hd. Lag Screw (10 mm x 50 mm)
8.	84-200136-000	Kickback Bracket
9.	84-200075-000	Kickback - Division (GS-10)
	52-860055-002	Filler Blocks and Hardware
10.	52-200005-003	Kickback Plate (29 x 22)
11.	11-052552-001	N.A. Phillips Screw (8 mm x 60 mm)
12.	47-080206-004	Common Mounting Plate
13.	11-051013-001	Hex Hd. Cap Screw (10 mm x 90 mm)
14.	11-051745-001	Locknut (10 mm)

*N.A. = No Longer Available*

\* Use cement (P/N 11-676047-000) and nails (P/N 179859) to attach facing.

## Return & Division Kickback For GS-Series Pinsetters



**Return & Division Kickback For GS-Series Pinsetters**

**Index**

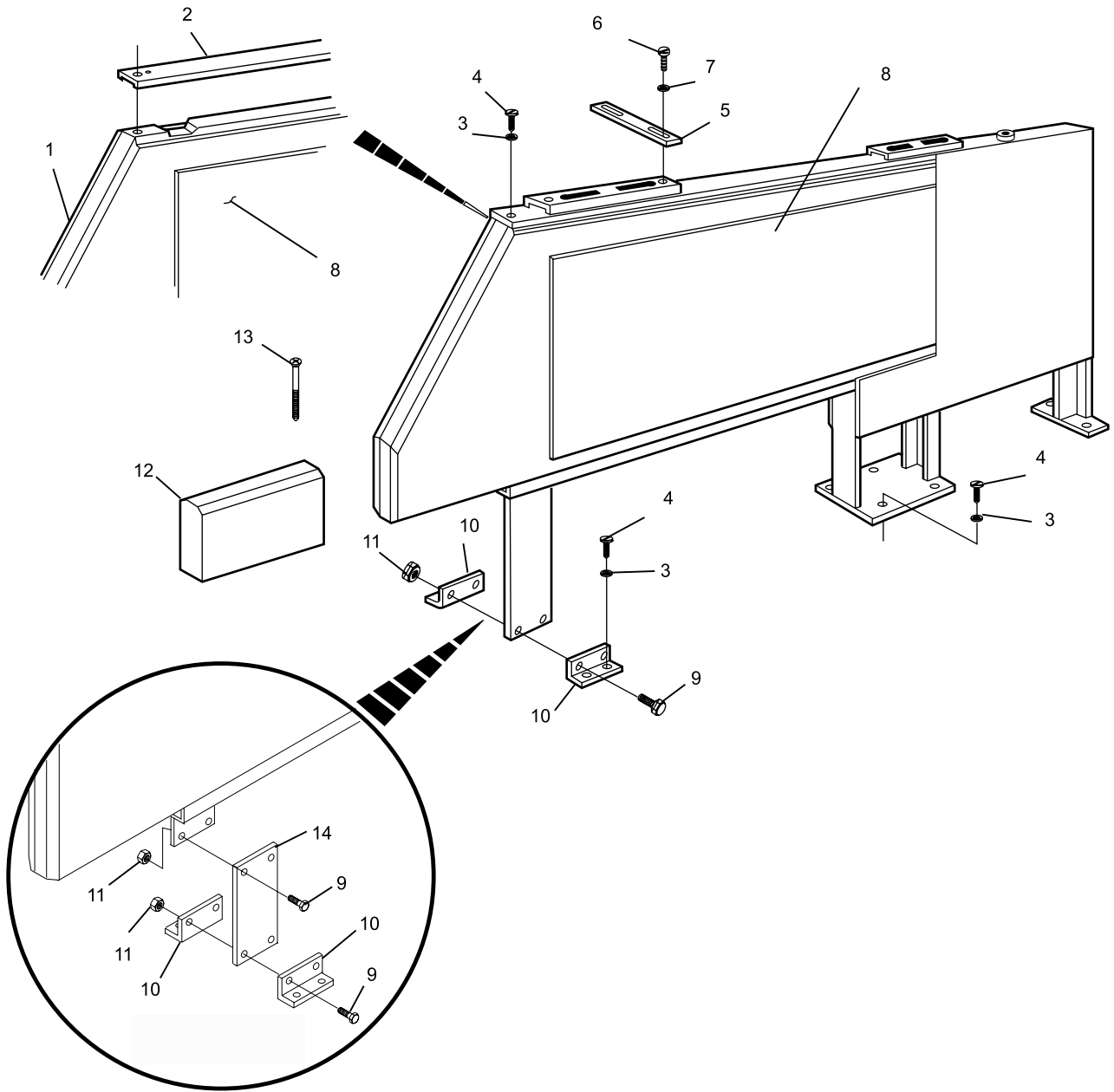
<b>No.</b>	<b>Part No.</b>		<b>Description</b>
1.	52-200054-000		Insert Panel Automatic Pinsetter Kickback (Facing Both Sides)
2.	N.A.		Retainer Angle
3.	11-191014-001		Flat Washer (3/8)
4.	11-070063-001	N.A.	Hex. Hd. Lag Screw (3/8-7 x 1-3/4")
5.	52-200041-000		Tie Strap
6.	11-015365-001	N.A.	Sems Hex Hd. Cap Screw (5/16-18 x 5/8")
7.	11-191012-001		Flat Washer (5/16")
8.	*52-200005-002		R.H. Kickback Plate (16 x 40) - 7 Pin Side
	*52-200005-004		L.H. Kickback Plate (16 x 40) - 10 Pin Side
9.	11-001347-001		Hex Hd. Cap Screw (3/8-16 x 1-3/8")
10.	52-200046-000	N.A.	Front Floor Bracket Pkg.
	52-860055-002	R.O.	Front Kickback Block Floor Bracket Pkg.
11.	11-170011-001		Self Locking Nut (3/8-16)
12.	52-860055-002		Fill Block
13.	11-040167-001	N.A.	Flat Hd. Wood Screw (#14 x 4")
14.	52-200049-000	N.A.	Adapter Bracket
	52-860056-000	R.O.	Adapter Block Pkg.
15.	**52-860056-000		Adapter Bracket Kit (includes items 14, 9, 11)
16.	**52-860055-002		Fill Blocks w/Hardware (includes items 3, 4, 6, 7, 9, 10, 11)

*N.A. = No Longer Available*

\* Use cement 11-676047-000 and nails 15-603401-000 to attach facing.

\*\* Not Illustrated

**Armor Frame Kickback  
For A-2 Pinsetters On Truss Foundation**



**Armor Frame Kickback  
For A-2 Pinsetters On Truss Foundation**

**Index**

<b>No.</b>	<b>Part No.</b>	<b>Description</b>
1.	N.A.	Filler Block
2.	N.A.	Slt'd. Flat Hd. Wood Screw (#14 x 2-1/2")
3.	21-088675-000	Front Fibre Plate (33" x 15" x 3/16") - Pre drilled
4.	21-088674-000	Rear Fibre Plate (21-3/4" x 19" x 3/16") - Pre drilled
5.	N.A.	#13 x 3/4" Nail (Lb.)
6.	N.A.	Cleat
7.	52-200076-000	N.A. Fill
8.	11-900107-000	N.A. #8D Nail (Lb.)
9.	N.A.	Slt'd. Flat Hd. Wood Screw (#14 x 2-3/4")
10.	**11-070063-001	N.A. Hex Hd. Lag Screw (3/8-7 x 1-3/4")
11.	21-204312-000	N.A. Top Plate
12.	N.A.	Maple Fill Strip
13.	N.A.	Trim Panel
14.	N.A.	Nail (Pkg. of 50)
15.	52-200075-000	N.A. Spacer
16.	N.A.	Retaining Angle
17.	**52-200043-000	N.A. Fill Block
18.	11-170011-001	Self Locking Nut (3/8-16)
19.	**52-200046-000	N.A. Front Floor Bracket
20.	11-001347-001	Hex Hd. Cap Screw (3/8-16 x 1-3/8")
21.	11-191014-001	Flat Washer (3/8)
22.	11-040635-001	N.A. Slt'd. Flat Hd. Wood Screw (#12 x 3-1/2")
23.	N.A.	Wood Insert w/o Plate
	52-200054-000	Insert w/Plate - Double
	N.A.	Insert w/Plate - Single R.H.
	N.A.	Insert w/Plate - Single L.H.
24.	N.A.	Hex Hd. Cap Screw (5/16-18 x 9/16")
25.	11-195015-001	Lockwasher (5/16)
26.	**11-015365-001	N.A. Sems Hex Hd. Cap Screw (5/16-18 x 5/8")
27.	**11-191012-001	Flat Washer (5/16)
28.	52-200041-000	Tie Strap
29.	*52-200005-002	R.H. Kickback Plate (16 x 40) (7 Pin Side)
	*52-200005-004	L.H. Kickback Plate (16 x 40) (10 Pin Side)
30.	N.A.	Frame Assembly w/o Insert
31.	52-860055-002	Fill Blocks w/Hardware (includes items 10, 17, 18, 19, 26, 27)

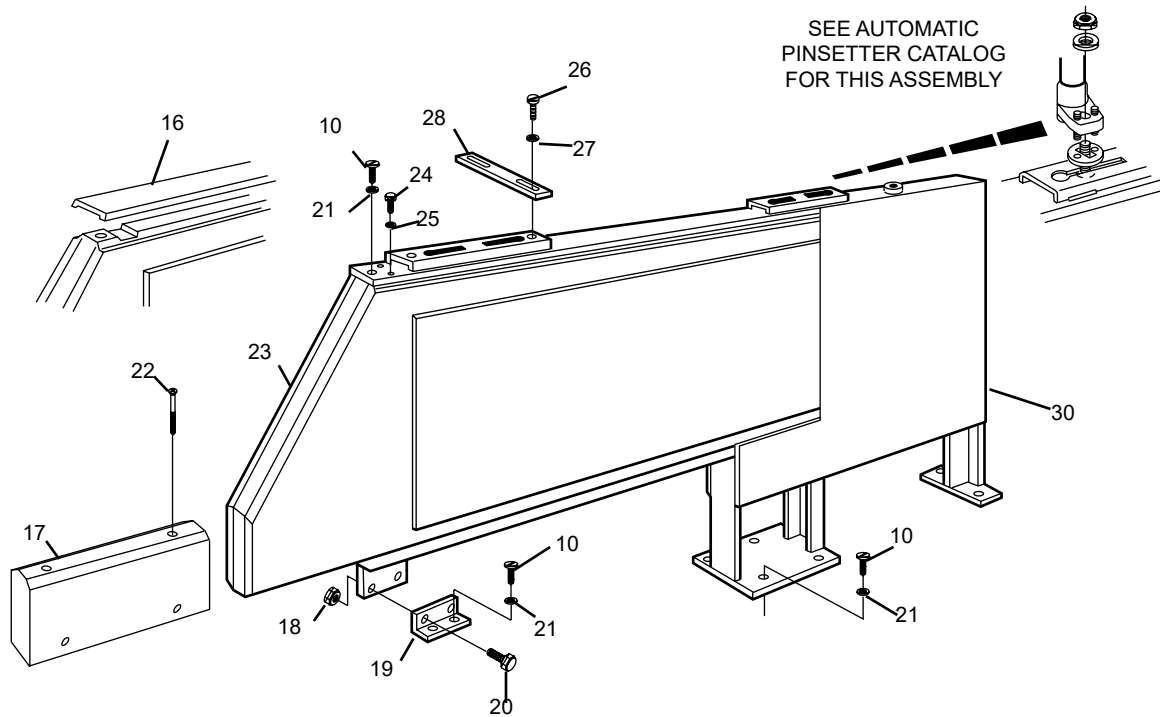
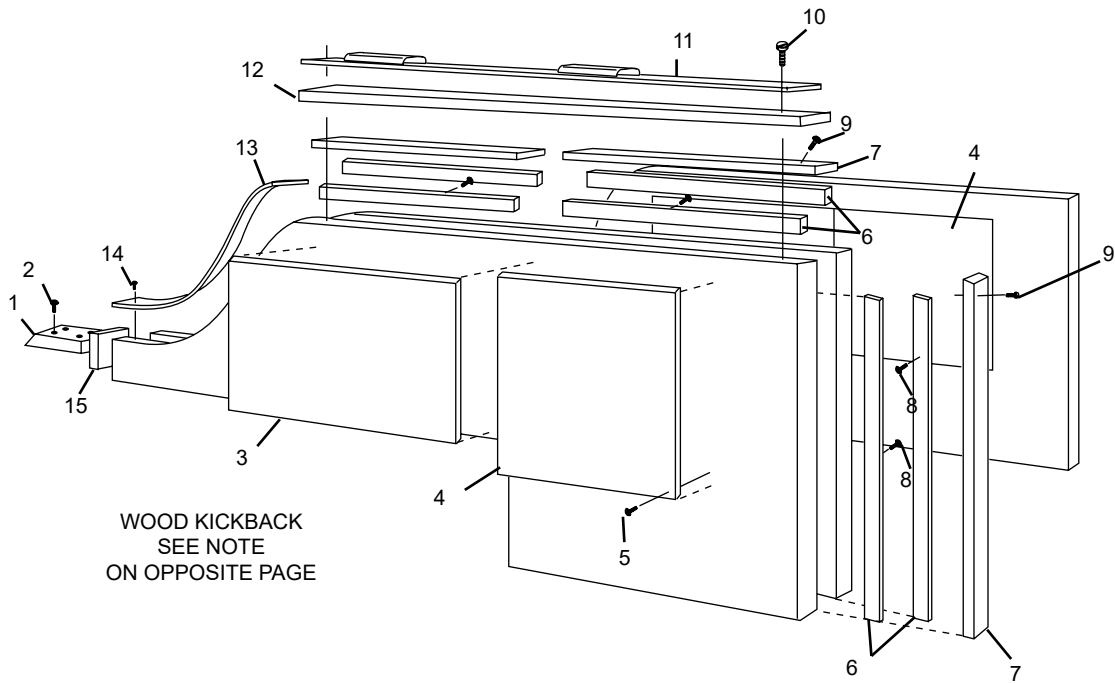
*N.A. = No Longer Available*

*R.O. = Replacement Option*

\* Use cement 11-676047-000 and nails 15-603401-000

\*\* For replacement option, see index No. 31.

## Wood & Armor Frame Kickbacks For A-2 Pinsetters



## Wood & Armor Frame Kickbacks For A-2 Pinsetters