

Section E

FURNITURE

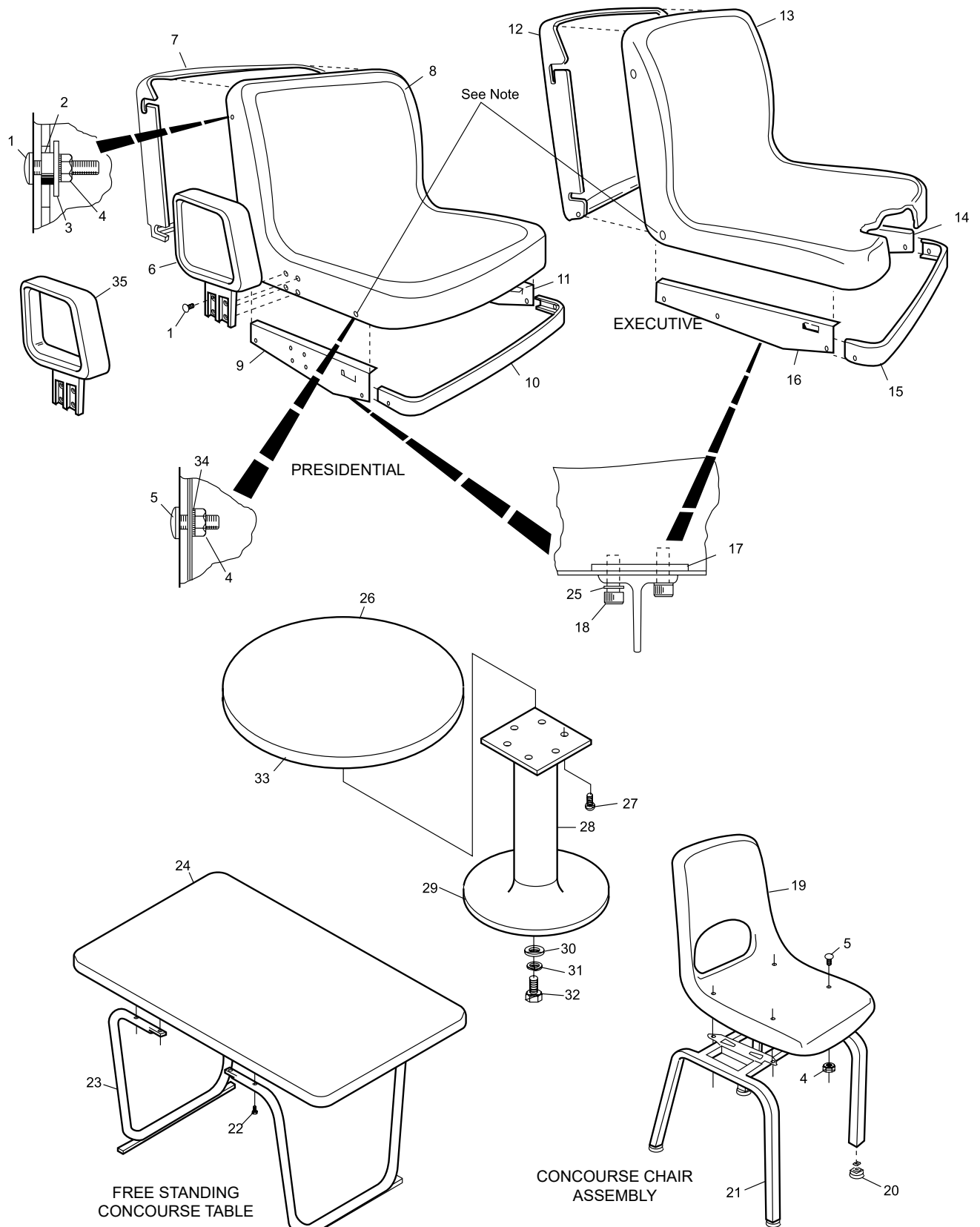
Index

No.	Part No.		Description
1.	54-100107-002	N.A.	T. Hd. Nib Screw (1/4-20 x 1-1/8")
2.	10-386241-000	N.A.	Spacer (1/4-3/16)
3.	12-300081-004		Flat Washer
4.	11-176000-001		Keps Nut (1/4-20)
5.	54-100107-000	N.A.	T. Hd. Nib Screw (1/4-20 x 9/16")
6.	54-100331-003	N.A.	Sandlewood Armrest Assy.
	N.A.		Orange Armrest Assembly
	N.A.		Blue Armrest Assembly
7.	54-100464-000	N.A.	Back Panel
8.	54-100317-251	N.A.	Sandlewood Seat Only
	54-100317-351	N.A.	Orange Seat Only
	54-100317-451	N.A.	Blue Seat Only
	N.A.		Cameo Blue Seat Only
	N.A.		Autumn Gold Seat Only
	N.A.		Brick Seat Only
	N.A.		Grape Seat Only
	N.A.		Mint Green Seat Only
	N.A.		Plum Seat Only
	N.A.		Sea Spray Seat Only
9.	54-100438-002	N.A.	R. H. Seat Support
10.	54-100461-000	N.A.	Front Seat Support
11.	54-100438-003	N.A.	L.H. Seat Support
12.	N.A.		Back Panel
13.	N.A.		Sandlewood Seat Only
	54-100327-351	N.A.	Orange Seat Only
	N.A.		Blue Seat Only
	N.A.		Cameo Blue Seat Only
	N.A.		Autumn Gold Seat Only
	N.A.		Brick Seat Only
	54-100327-651	N.A.	Grape Seat Only
	N.A.		Mint Green Seat Only
	N.A.		Plum Seat Only
	N.A.		Sea Spray Seat Only
14.	54-100439-003	N.A.	L.H. Seat Support
15.	54-100462-000	N.A.	Front Seat Support
16.	54-100439-002	N.A.	R.H. Seat Support
17.	54-100499-000	N.A.	Nut Plate (5/16-18)
18.	11-005264-001		Hex Socket Hd. Cap Screw (5/16-18 x 1")
19.	N.A.		Ermine White Seat and Back
20.	11-651201-000		Chair Glide
21.	N.A.		Chair Chassis Assembly
22.	11-070542-001		Hex Hd. Lag Screw (5/16 x 1-1/4")
23.	N.A.		Table Leg Assembly
24.	N.A.		Concourse Table Top Only
25.	11-195015-001		Lockwasher (5/16)
26.	N.A.		Sandlewood Table Top (33")
	N.A.		Orange Table Top (33")
	N.A.		Blue Table Top (33")
	N.A.		Brick Table Top (33")
	N.A.		Grape Table Top (33")
	N.A.		Mint Green Table Top (33")
	N.A.		Plum Table Top (33")
	N.A.		Sea Spray Table Top (33")
	N.A.		Cameo Blue Table Top (33")
	N.A.		Autumn Gold Table Top (33")
	N.A.		Sandlewood Table Top (42")
	N.A.		Orange Table Top (42")
	N.A.		Blue Table Top (42")
	N.A.		Brick Table Top (42")
	N.A.		Grape Table Top (42")
	N.A.		Mint Green Table Top (42")
	N.A.		Plum Table Top (42")
	N.A.		Sea Spray Table Top (42")
	N.A.		Cameo Blue Table Top (42")
	N.A.		Autumn Gold Table Top (42")
27.	N.A.		Self Tapping C.R. Rd. Hd. Screw (1/4 x 1-1/4")
28.	N.A.		Low Pedestal Assembly
	N.A.		High Pedestal Assembly
29.	N.A.		Pedestal Base
30.	N.A.		Flat Washer (5/8)
31.	11-195020-001		Lockwasher (5/8)
32.	N.A.		Hex Hd. Cap Screw (5/8-11 x 4")
33.	N.A.		T-Moulding (L.F.)
34.	11-191010-001		Flat Washer (1/4")
35.	54-100300-000		Armrest Assembly (Hollow)

N.A. = No Longer Available

NOTE: Mounting holes for seating must be drilled on site. Clamp seat to existing bracket and drill from inside.

"2000" Omni Seat Supports



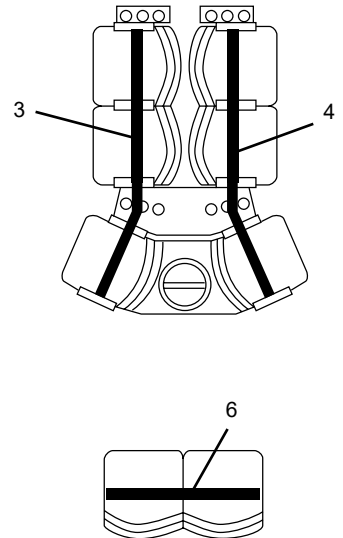
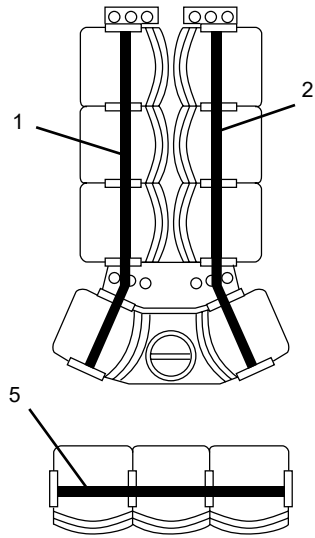
"2000" Omni Seat Supports

Index

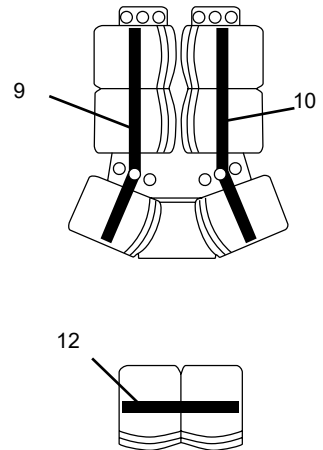
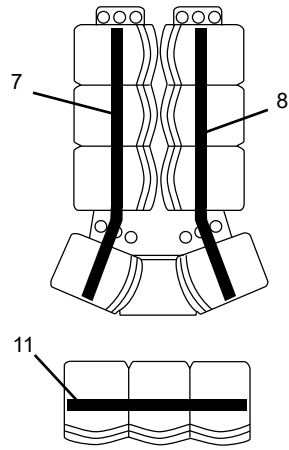
No.	Part No.	Description
1.	N.A.	R. H. T-Bar Support (93-9/16")
2.	N.A.	L. H. T-Bar Support (93-9/16")
3.	N.A.	R. H. T-Bar Support (72-11/16")
4.	N.A.	L. H. T-Bar Support (72-11/16")
5.	N.A.	T-Bar Support (61-3/4")
6.	N.A.	T-Bar Support (40-7/8")
7.	N.A.	R. H. T-Bar Support (78-3/8")
8.	N.A.	L. H. T-Bar Support (78-3/8")
9.	N.A.	R. H. T-Bar Support (60-3/8")
10.	N.A.	L. H. T-Bar Support (60-3/8")
11.	N.A.	T-Bar Support (51-7/8")
12.	N.A.	T-Bar Support (33-7/8")
13.	N.A.	Hex Hd. Cap Screw (5/16-18 x 1")
14.	11-195015-001	Lockwasher (5/16)
15.	N.A.	Seating Pedestal
16.	N.A.	Scorer Seating Pedestal
17.	54-100340-000	N.A. Seating Leg Cap
18.	11-001343-001	Hex Hd. Cap Screw (3/8-16 x 7/8")
19.	11-190014-001	Flat Washer (3/8)
20.	N.A.	Concrete Fastener (3/8-16)
21.	N.A.	Hex Hd. Lag Screw (3/8 x 2")
22.	11-111455-000	N.A. Concrete Fastener (3/8-16 x 2-3/4")

N.A. = No Longer Available

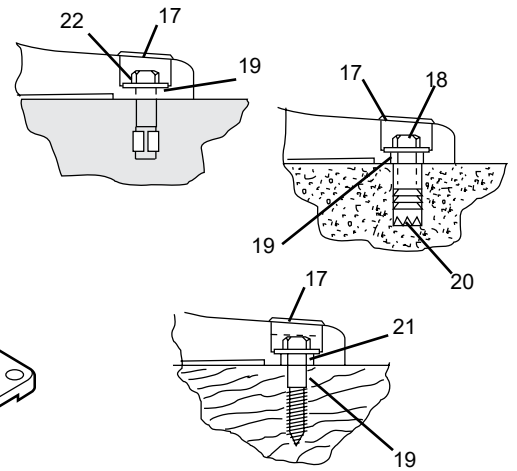
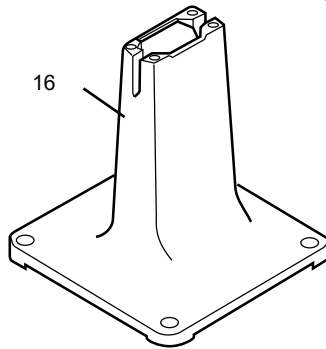
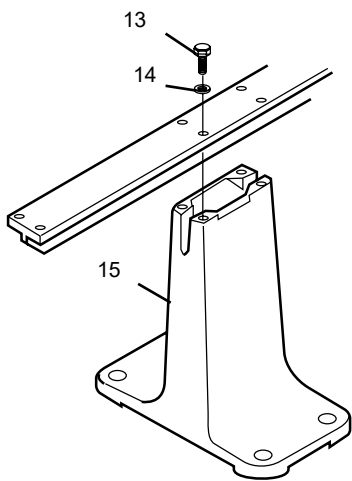
"2000" Omni Seat Supports



PRESIDENTIAL



EXECUTIVE



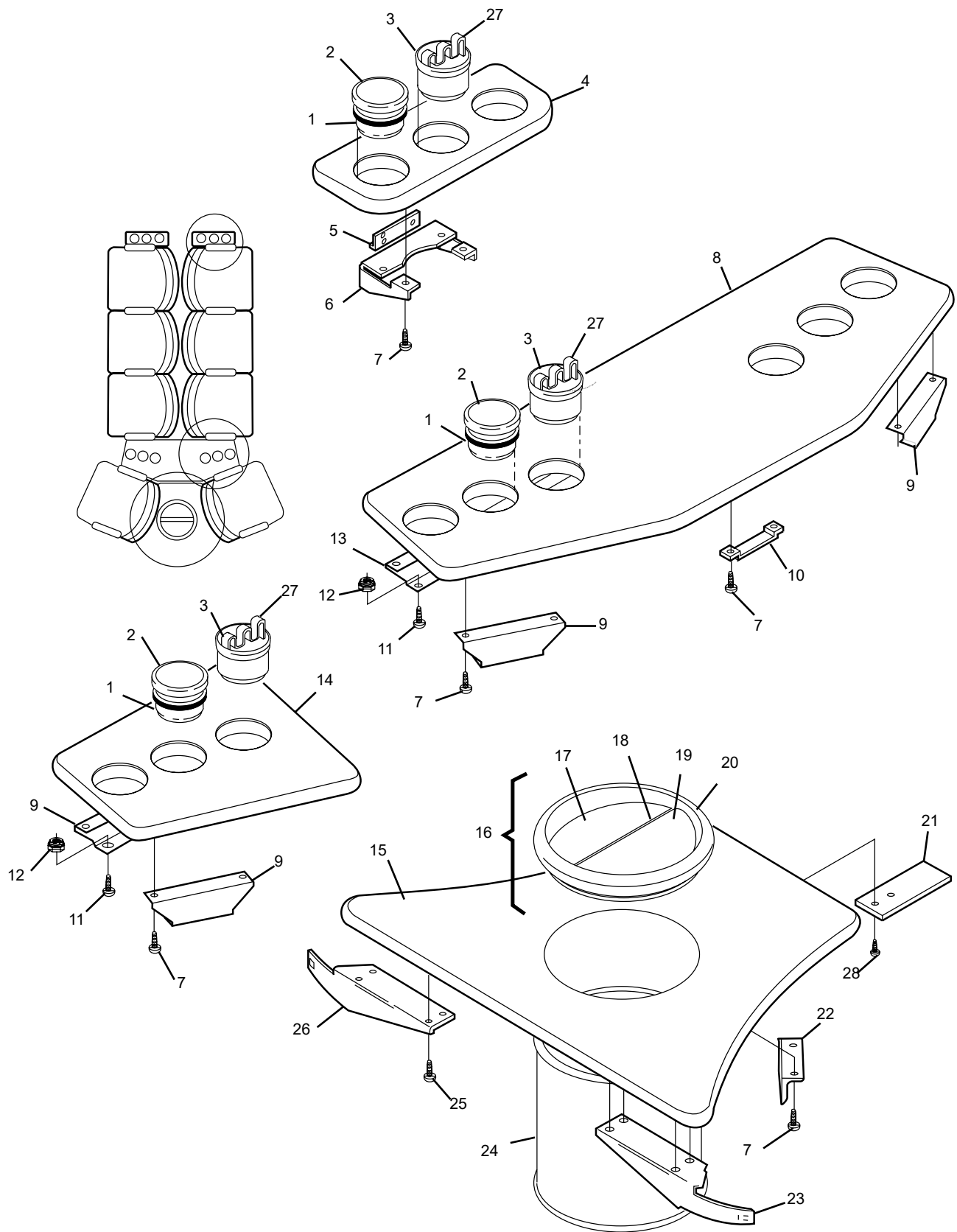
"2000" Omni Seat Supports

Index

No.	Part No.		Description
1.	54-100431-000	N.A.	Cup Holder
2.	54-100260-000		Glass and Bottle Holder
3.	54-100259-000	N.A.	Ashtray
4.	N.A.		End Table Top Only
5.	N.A.		Straightener
6.	54-100319-000	N.A.	Table Support Bracket
7.	N.A.		Self Tapping C. R. Rd. Hd. Screw (#12 x 1")
8.	N.A.		Twin Refreshment Table Top Only
9.	54-100337-000	N.A.	Small Support Bracket
10.	54-100322-000	N.A.	Catch
11.	11-010635-001	N.A.	Hex Hd. Washer Machine Screw (1/4-20 x 3/4")
12.	11-176000-001		Keps Nut (1/4-20)
13.	N.A.		Large Support Bracket (30-3/4")
	54-100338-003	N.A.	Large Support Bracket (32-1/2")
14.	N.A.		Single Refreshment Table Top Only
15.	N.A.		Rear Table Top Only (Presidential w/Refuse Hole)
	N.A.		Rear Table Top Only (Presidential w/o Refuse Hole)
	54-100344-000	N.A.	Rear Table Top Only (Executive w/o Refuse Hole)
	N.A.		Rear Table Top Only (Executive w/Refuse Hole)
16.	N.A.		Bezel Assembly
17.	N.A.		Cover Only
18.	N.A.		Rod Only
19.	11-125560-000	N.A.	Speed Nut
20.	N.A.		Bezel Only
21.	N.A.		Tongue
22.	N.A.		Centering Bracket
23.	N.A.		R.H. Support Bracket
24.	N.A.		Disposal Container
25.	N.A.		Self Tapping C.R. Rd. Hd. Screw (#12 x 1-1/4")
26.	54-100345-003	N.A.	L.H. Support Bracket
27.	N.A.		Ashtray Insert
28.	N.A.		Screw

N.A. = No Longer Available

"2000" Omni Tables



"2000" Omni Tables

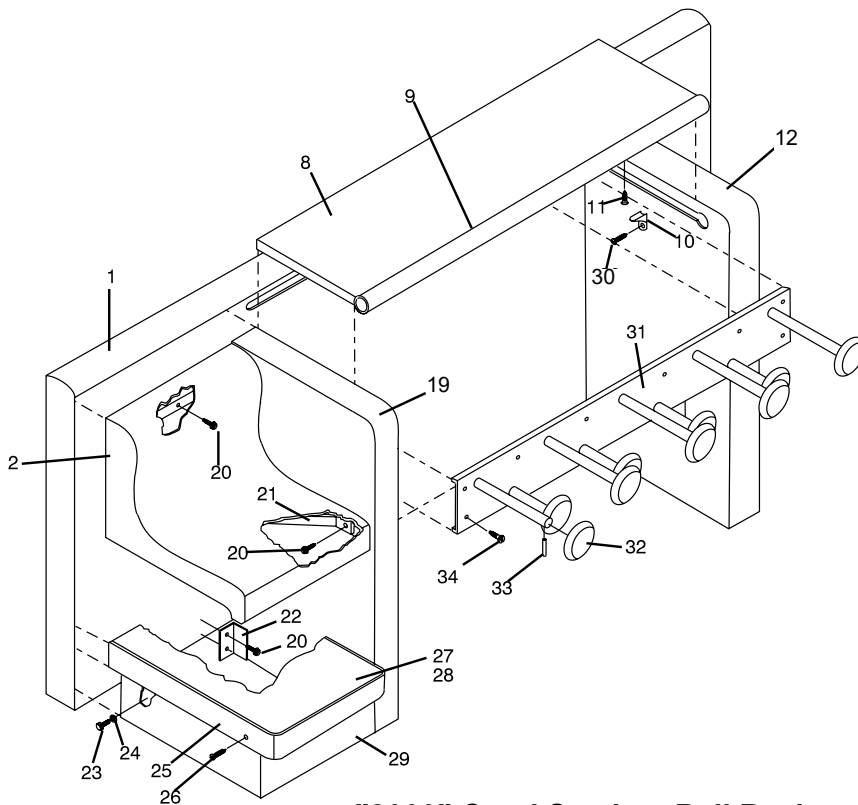
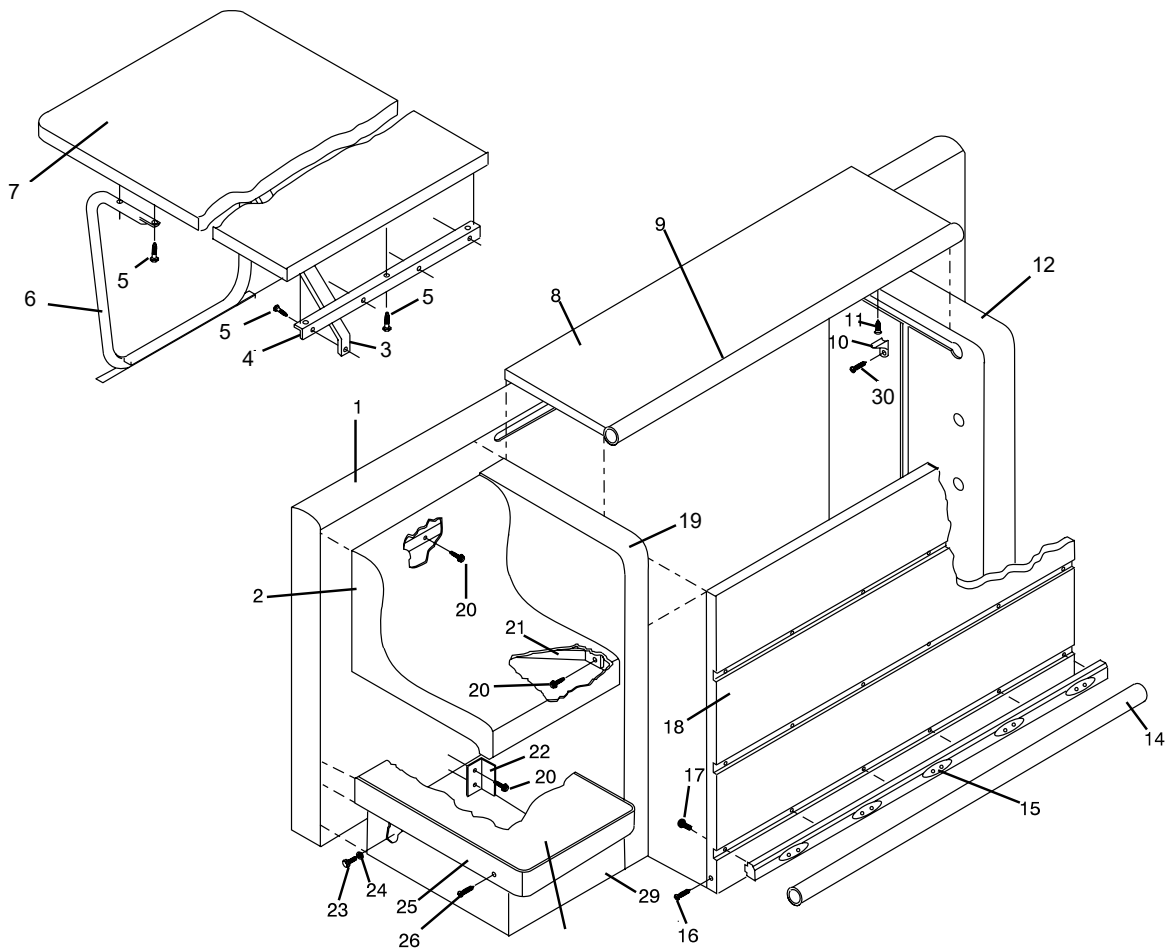
Index

No.	Part No.	Description
1.	N.A.	Rear Frame Assembly
2.	N.A.	R.H. Sandlewood Jump Seat - Shown
	N.A.	L.H. Sandlewood Jump Seat - Opposite
	N.A.	R.H. Orange Jump Seat - Shown
	N.A.	L.H. Orange Jump Seat - Opposite
	N.A.	R.H. Blue Jump Seat - Shown
	N.A.	L.H. Blue Jump Seat -Opposite
3.	N.A.	Table Support Bracket
4.	N.A.	Table Support Bracket
5.	11-070542-001	Hex Hd. Lag Screw (5/16 x 1-1/4")
6.	N.A.	Concourse Table Leg
7.	N.A.	Concourse Table Top Only
8.	N.A.	Refreshment Tray Only
9.	N.A.	Front Edge Moulding
10.	N.A.	Shelf Brace
11.	N.A.	Self Tapping C.R. Flat Hd. Screw (#10 x 1")
12.	N.A.	L.H. Armrest Assembly
13.	*N.A.	Ball Rack Rail Assembly
14.	N.A.	Ball Rack Tube
15.	54-100210-000	N.A. Glide
16.	11-040167-001	N.A. C.R. Flat Hd. Wood Screw (#14 x 4")
17.	N.A.	Self Tapping C.R. Rd. Hd. Screw (#10 x 1-1/2")
18.	N.A.	Ball Rack Wall
19.	N.A.	R.H. Armrest Assembly
20.	N.A.	Self Tapping Hex Hd. Washer Screw (5/16-18 x 2-1/2")
21.	N.A.	Diagonal Brace
22.	N.A.	Angle Bracket
23.	11-001182-001	Hex Hd. Cap Screw (1/4-20 x 3/4")
24.	11-190010-001	Flat Washer (1/4)
25.	N.A.	Footrest Trim
26.	N.A.	Self Tapping C.R. Flat Hd. Screw (#14 x 3/4")
27.	N.A.	Rubber Mat
28.	*11-676047-000	Cement (Gallon)
29.	N.A.	R.H. Footrest Trim - Shown
	N.A.	L.H. Footrest Trim - Opposite
30.	N.A.	Self Tapping C.R. Flat Hd. Screw (#10 x 1-3/4")
31.	N.A.	Coat Hanger Assembly Only
32.	N.A.	Sandlewood Knob Assembly
	N.A.	Orange Knob Assembly
	N.A.	Blue Knob Assembly
33.	11-345408-001	Roll Pin (1/4" x 3/4")
34.	N.A.	Self Tapping C.R. Pan Hd. Screw (#14 x 2")

N.A. = No Longer Available

* Not Illustrated

"2000" Omni Seating, Ball Rack, Coat Rack & Mod Wall



**"2000" Omni Seating, Ball Rack,
Coat Rack & Mod Wall**

Index

No.	Part No.		Description
1.	54-100259-000	N.A.	Ashtray
2.	*53-860977-xxx	N.A.	Center Top w/Holes Drink Holder
3.	54-100260-000		
4.	53-860978-000	N.A.	Center Top w/o Holes Ashtray/Drink Holder (Light Gray)
5.	53-861053-000		
	53-861053-004		Ashtray/Drink Holder (Graphite)
6.	11-001344-001		Hex Hd. Cap Screw (3/8-16 x 1")
7.	53-400179-000	N.A.	Ashtray/Drink Holder Mounting Bracket
8.	11-082703-001		Self Tapping Screw (#12-14 x 1/2")
9.	53-400176-000	N.A.	Center Top Mounting Bracket
10.	*53-860959-000		Contour Seats Pkg. (Light Gray)
	53-860959-004		Contour Seats Pkg. (Graphite)
11.	****54-861046-xxx	N.A.	Voltaire Seat (-001 Dark Cherry or -002 Maple Natural)
	54-861106-xxx	R.O.	Easton Seat available in -001 Dark Cherry and -002 Natural wood finishes only (Pkg. of 2)
12.	11-006345-000		Button Hd. Cap Screw (3/8-16 x 1")
13.	53-860975-xxx	N.A.	End Table w/Holes (colors -220 through -225 only)
14.	11-082862-001		Self Tapping Screw (#14-10 x 1")
15.	53-866958-000	N.A.	End Table Weldment w/Hardware (Dark Gray)
	53-866958-100		End Table Weldment w/Hardware (Silver)
16.	11-001182-001		Cap Screw (1/4-20 x 3/4")
17.	53-400302-000		Hole Plugs (Black)
18.	53-866020-100		Two Seat Rail - Short (Silver)
	53-866020-000		Two Seat Rail - Short (Dark Gray)
19.	*53-400103-xxx		Front Decal
20.	53-400109-000		Tube Cap 3" (light gray)
	53-400109-100		Tube Cap 3" (silver)
21.	N.A.	N.A.	Concrete Anchor (3/8-16)
	***11-111560-000		Concrete Anchor (3/8-16 x 1-9/16")
22.	53-860990-000	N.A.	Wood Insert (3/8)

Index

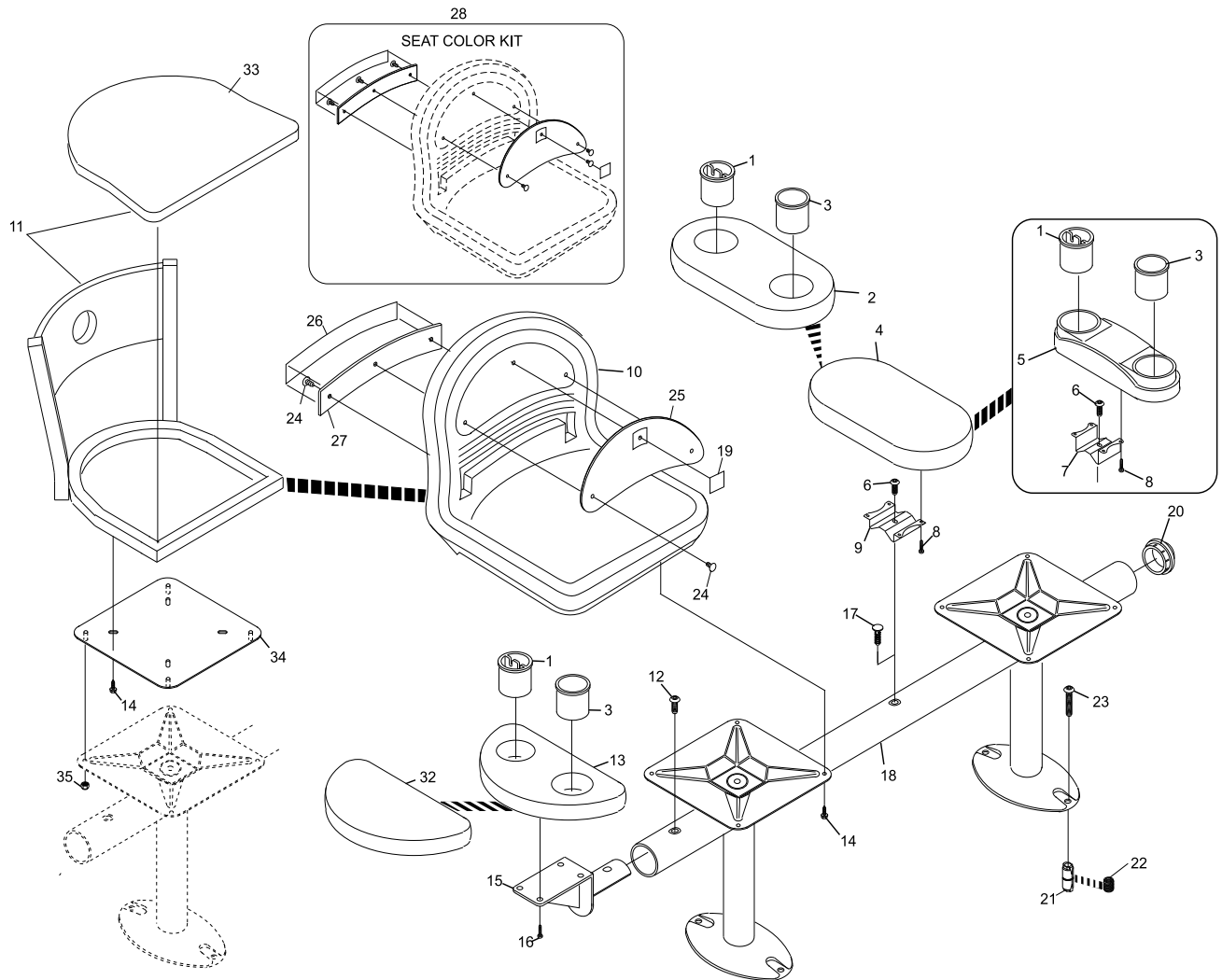
No.	Part No.		Description
23.	53-400301-001	N.A.	Button Hd. Cap Screw (3/8-16 x 2-1/4")
	53-400503-020	R.O.	Button Hd. Cap Screw (3/8-16 x 2-1/4") w/Dogpoint Lead - Black
	53-400503-019	R.O.	Button Hd. Cap Screw (3/8-16 x 2-1/4") w/Dogpoint Lead - Silver
	***53-400301-003	N.A.	Button Hd. Socket Cap Screw (3/8-16 x 3/4")
	53-400501-020	R.O.	Button Hd. Socket Cap Screw (3/8-16 x 3/4")
24.	*53-861010-xxx		Plastic Fastener for Inserts (Pkg. of 10) - No Longer available in - 220 Blueberry, Order - 232 Light Gray as a replacement option. The light gray - 232 will also be the replacement color for other fasteners as inventory is depleted.
25.	*N.A.	N.A.	Front Insert (use index No. 28)
26.	*53-400111-xxx		Rear Decal
27.	53-400113-000		Rear Insert (Light Gray)
	53-400113-003		Rear Insert (Graphite)
28.	**53-860960-xxx		Seat Color Kit (contains 1 each of index Nos.: 19, 25, 26, 27 and 6 each of item 24)
29.	**53-861052-000		Bracket Hardware Pkg (includes index Nos.: 6, 7, 8, 30 and 31)
30.	**11-195016-001		Lock Washer
31.	**11-082122-001		Screw (#12-14 x 1/2")
32.	53-861054-000		End Table W/O Holes (colors -260 through -269 only)
33.	54-860511-xxx		Voltaire Seat - only (-001 Dark Cherry or -002 Maple Natural) (Pkg. of 4)
34.	53-100293-000		Seat Adapter Plate - Fix Fixed Seating
35.	11-051744-001		Self Locking Hex Nut (8 mm)
<i>N.A. = No Longer Available</i>			
** Not Illustrated			
*** Concrete Anchor - P/N 11-111560-000 must be used with Button Hd. Socket Cap Screw - P/N 53-400301-003 which is no longer available use replacement option Button Hd. Socket Cap Screw - P/N 53-400501-020.			
**** When replacing a Voltaire seat, customers must also order (2) 53-400231-000 45° seat swivels.			

NOTE: Last three digits in part number (suffix) designate color.

*Color Chart

2009 Framworx Color Series	
-205	Black
-232	Light Grey
-260	Violet
-261	Daffodil
-262	Blaze Orange
-263	Malachite
-265	Jade
-266	Navy
-267	Eggplant
-268	Silver

Framworx Two Seat Rail (Short)



Frameworx Two Seat Rail (Short)

Index No.	Part No.	Description
1.	*N.A.	Front Insert (use index number 23)
2.	53-860968-xxx *53-861102-xxx 53-860999-000 *53-861103-xxx	N.A. Oval Table Top R.O. Oval Table Top w/Slot (Not Illustrated) N.A. Oval Table Top - reduced length R.O. Oval Table Top w/Slot - reduced length (Not Illustrated)
3.	11-082862-001	Self Tapping Screw (#14-10 x 1")
4.	53-860959-000 53-860959-004	Contour Seat Pkg. (Dark Gray) Contour Seat Pkg. (Graphite)
5.	53-400109-000 53-400109-100	Tube Cap 3" (light gray) Tube Cap 3" (silver)
6.	53-400301-001 53-400503-020 **53-400301-003 53-400501-020	N.A. Button Hd. Cap Screw (3/8-16 x 2-1/4") R.O. Button Hd. Cap Screw (3/8-16 x 2-1/4") N.A. Button Hd. Socket Cap Screw (3/8-16 x 3/4") R.O. Button Hd. Socket Cap Screw w/Out Dogpoint Lead (3/8-16 x 3/4")
7.	N.A.	Table Frame Fixed/Fixed
8.	11-125104-001	Hex Nut (3/8-16)
9.	11-195016-001	Lockwasher (3/8)
10.	11-191014-001	Flat Washer (3/8)
11.	11-194140-000	N.A. Belleville Washer (3/8)

N.A. = No Longer Available
R.O. = Replacement Option

NOTE: Last three digits in part number (suffix) designate color.

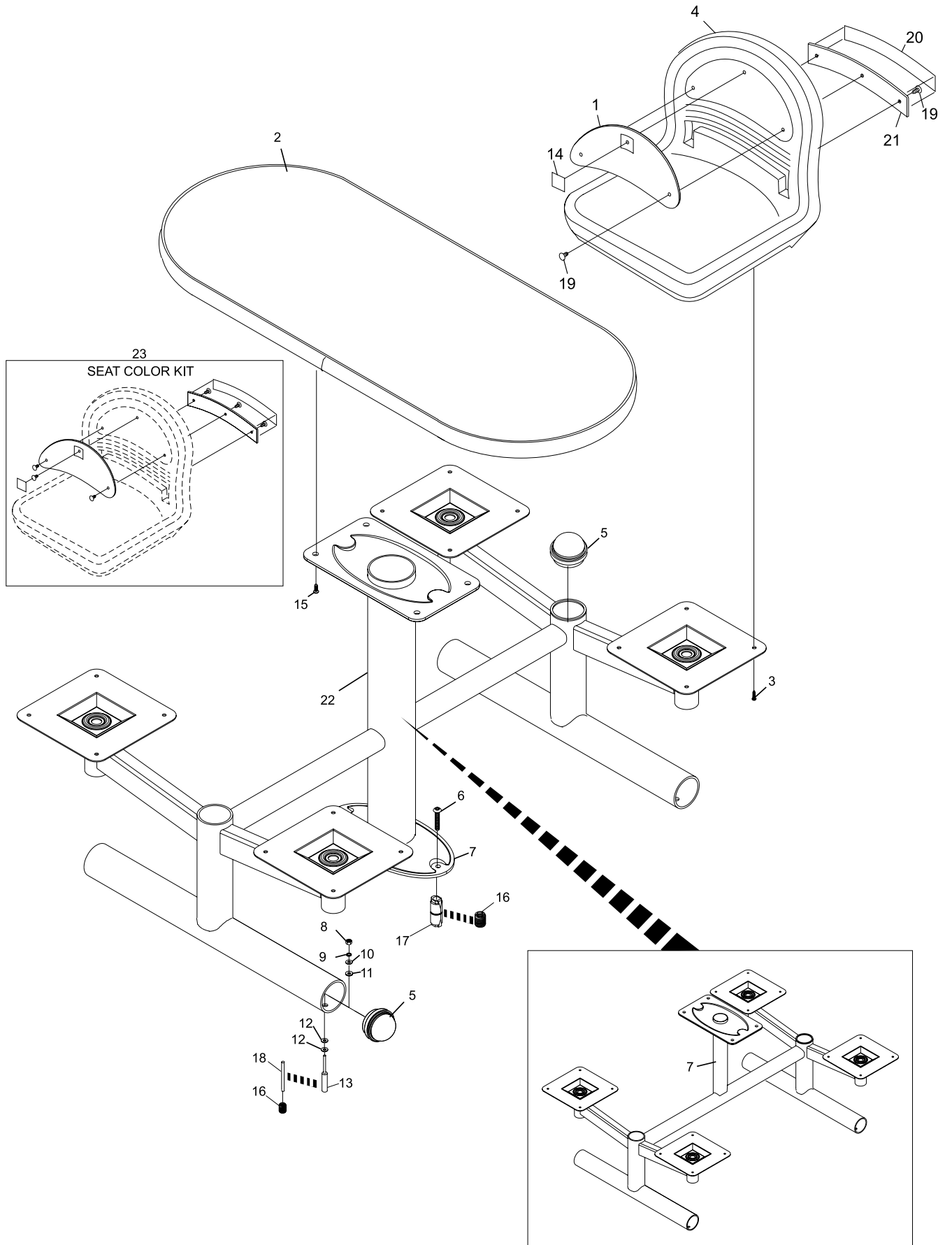
* Color Chart

2009 Framework Color Series	
-205	Black
-232	Light Grey
-260	Violet
-261	Daffodil
-262	Blaze Orange
-263	Malachite
-265	Jade
-266	Navy
-267	Eggplant
-268	Silver

Index No.	Part No.	Description
12.	11-190014-003 11-190014-001	N.A. Black Shim Washer (3/8) R.O. Flat Washer (3/8)
13.	11-111456-000	Concrete Stud (3/8-16 x 3-1/2")
14.	*53-400103-XXX	Front Decal (use index number 23)
15.	11-006345-000	Button Hd. Cap Screw
16.	53-860990-000	N.A. Wood Insert (3/8)
17.	11-095011-000 **11-111560-000	Concrete Anchor (3/8-16) Hilti Concrete Anchor (3/8-16 x 1-9/16")
18.	53-400309-000 53-860989-000	N.A. Rod (3/8-16 x 3") R.O. Table Mounting Hardware Pkg. - Wood Floor
19.	*53-861010-xxx	Plastic Fastener for Inserts (Pkg. of 10) - No Longer available in -220 Blueberry, Order -232 Light Gray as a replacement option. The light gray -232 will also be the replacement color for other fasteners as inventory is depleted.
20.	53-400103-xxx	Rear Decal
21.	N.A.	Rear Insert - Gray (use index number 23)
22.	53-861100-000	Table Weldment Pkg. - Concrete/Wood Floors- Dark Gray (includes Tube Caps and Floor Mounting Hardware)
23.	*53-860960-xxx	Seat Color Kit (contains 1 each of item numbers: 1, 14, 20 and 21 and 6 each of item 19).

** Concrete Anchor - P/N 11-111560-000 must be used with Button Hd. Socket Cap Screw - P/N 53-400301-003 which no longer available use replacement option P/N 53-400501-020.

Framework Table Assembly with Fixed Arm and Fixed Seat



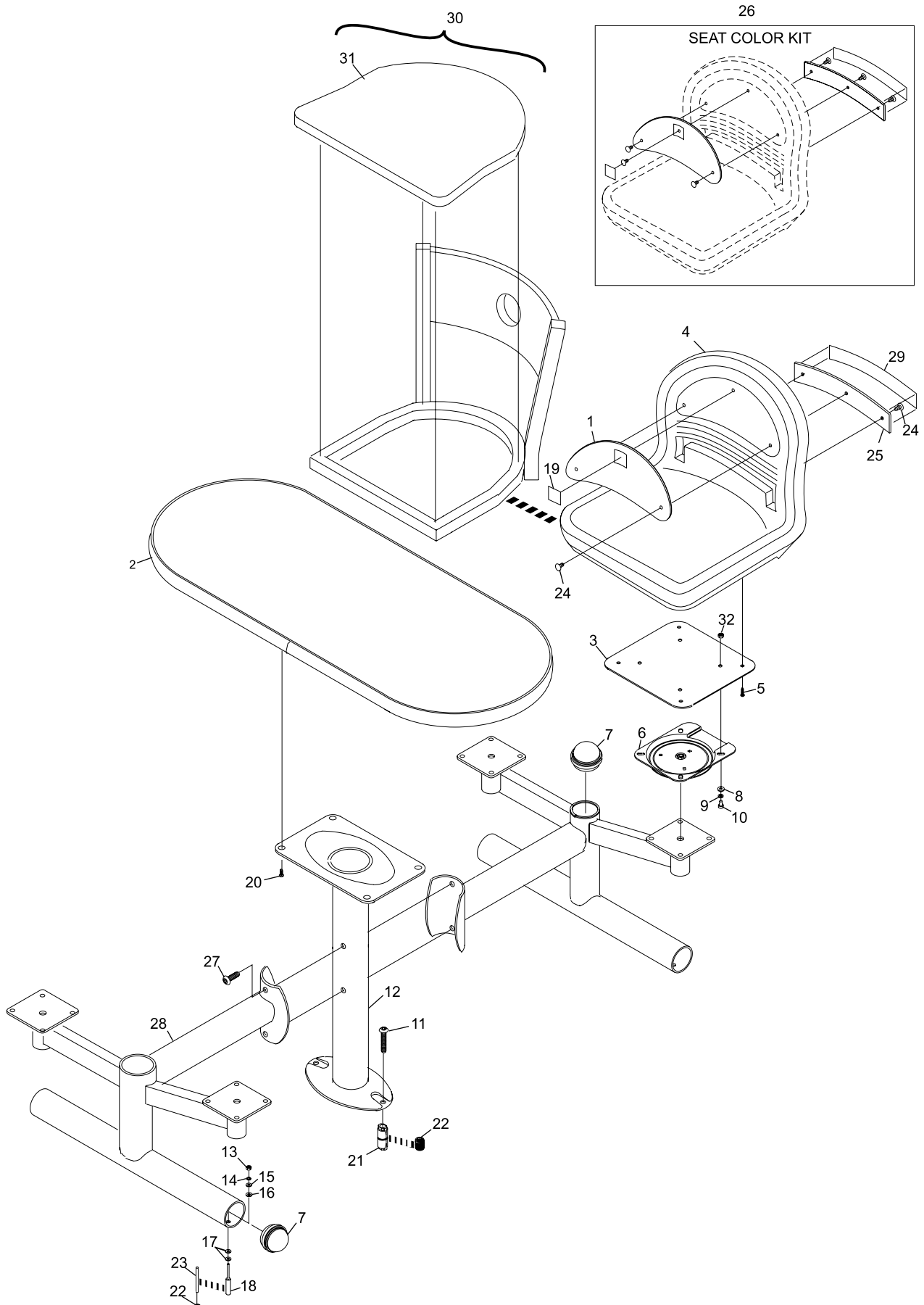
Framework Table Assembly with Fixed Arm and Fixed Seat

Index No.	Part No.	Description	Index No.	Part No.	Description
1.	N.A.	Front Insert (use index number 19 or 26)	23.	53-400309-000 53-860989-000	N.A. R.O. Rod (3/8-16 x 3") Table Mounting Hardware Pkg. (wood floor includes 4 of index Nos. 13 & 23 and 6 of index No. 22)
2.	53-860968-000 *53-861102-xxx 53-860999-000 *53-861103-xxx	N.A. R.O. Oval Table Top R.O. Oval Table Top w/Slot N.A. Oval Table Top - reduced length R.O. Oval Table Top w/Slot - reduced length	24.	*53-861010-xxx	Plastic Fastener for Inserts (Pkg. of 10) - No Longer available in -220 Blueberry, Order -232 Light Gray as a replacement option. The light gray -232 will also be the replacement color for other fasteners as inventory is depleted.
3.	53-400165-000 53-400165-100	Adapter Plate (Dark Gray) Adapter Plate (Silver)	25.	N.A.	Rear Insert (Gray)
4.	53-860959-000 53-860959-004	Contour Seat Pkg. (Dark Gray) Contour Seat Pkg. (Graphite)	26.	*53-860960-xxx	Seat Color Kit Pkg. contains 1 each of index Nos: 1, 19, 24, 25 and 29 and 6 each of item 24.
5.	11-082862-001	Self Tapping Screw (#14-10 x 1")	27.	11-006345-000	Button Hd. Cap Screw (3/8-16 x 1")
6.	53-400437-000 53-400231-000 53-860395-000	N.A. N.A. R.O. 60° Seat Swivel 45° Seat Swivel 45° Seat Swivel	28.	53-400462-000	Seat Support w/Swivel
7.	53-400109-000 53-400109-100	Tube Cap 3" (light gray) Tube Cap 3" (silver)	29.	53-400111-xxx	Rear Decal (only sold separately for -220 to -225). Other colors order index 26.
8.	11-052037-001	Flat Washer	30.	***54-861046-xxx	N.A. Voltaire Seat (-001 Dark Cherry or -002 Maple Natural)
9.	11-051769-001	Lockwasher	54-861106-xxx	R.O.	Easton Seat available in -001 Dark Cherry or -002 Natural Wood Finishes only (Pkg. of 2)
10.	11-054803-001	Button Socket Hd. Cap Screw (6mm x 16 mm)	31.	54-860511-xxx	Voltaire Seat - only (-001 Dark Cherry or -002 Maple Natural) (Pkg. of 4) - HBS
11.	53-400301-001 53-400503-020 **53-400301-003 53-400501-020	N.A. R.O. N.A. R.O. Button Hd. Cap Screw (3/8-16 x 2-1/4") Button Hd. Cap Screw (3/8-16 x 3/4") Button Hd. Cap Screw (3/8-16 x 3/4")	32.	11-051702-001	Hex Nut (6mm)
12.	N.A.	Table Frame Fixed/Swivel	<i>N.A. = No Longer Available R.O. = Replacement Option</i>		
13.	11-125104-001	Hex Nut (3/8-16)	NOTE: Last three digits in part number (suffix) designate color.		
14.	11-195016-001	Lockwasher (3/8)	** Concrete Anchor - Part No. 11-111560-000 must be used with Button Hd. Socket Cap Screw - Part No. 53-400301-003 which is no longer available use P/N 53-400501-020.		
15.	11-191014-001	Flat Washer (3/8)	*** When replacing a Voltaire seat, customers must also order (2) 53-860395-000 45° seat swivels.		
16.	11-194140-000	N.A. Belleville Washer (3/8)			
17.	11-190014-003 11-190014-001	N.A. R.O. Black Shim Washer (3/8) Flat Washer (3/8)			
18.	11-111456-000	Concrete Rod (3/8-16 x 3-1/2")			
19.	53-400103-xxx	Front Decal			
20.	11-006345-000	Button Hd. Cap Screw (3/8-16 x 1")			
21.	N.A. **11-111560-000	Concrete Anchor (3/8-16) Concrete Anchor (3/8-16 x 1-9/16")			
22.	11-095011-000	Wood Insert (3/8)			

* Color Chart

2009 Frameworx Color Series	
-205	Black
-232	Light Grey
-260	Violet
-261	Daffodil
-262	Blaze Orange
-263	Malachite
-265	Jade
-266	Navy
-267	Eggplant
-268	Silver

Frameworkx Table Assembly with Fixed Arm and Swivel Seat



Framework Table Assembly with Fixed Arm and Swivel Seat

Index No.	Part No.	Description	Index No.	Part No.	Description
1.	N.A.	Front Insert (use index number 37)	24.	53-400125-000	Pivot Spring (right-hand seat)
2.	53-860968-000	N.A. Oval Table Top	25.	53-400435-000	L.H. Arm Weldment - Pivot/Swivel
	**53-861102-xxx	R.O. Oval Table Top w/Slot	26.	53-400309-000	Rod (3/8-16 x 3")
	53-860999-000	N.A. Oval Table Top - reduced length	27.	53-400434-000	R.H. Arm Weldment - Pivot/Swivel
	**53-861103-xxx	R.O. Oval Table Top w/Slot - reduced length	28.	53-400131-000	Pivot Shaft
3.	53-400165-000	Adapter Plate (Dark Gray)	29.	11-006345-000	Button Hd. Cap Screw (3/8-16 x 1")
	53-400165-100	Adapter Plate (Silver)	30.	53-860990-000	Wood Insert (3/8)
4.	53-860959-000	Contour Seat Pkg. (Dark Gray)	31.	**53-860101-xxx	Plastic Fasteners for Insert (Pkg. of 10)
	53-860959-004	Contour Seat Pkg. (Graphite)	32.	53-400111-xxx	Rear Decal
	11-082862-001	Self Tapping Screw (#14-10 x 1")	33.	N.A.	Rear Insert - Gray (use index number 37)
6.	53-400437-000	N.A. 60° Seat Swivel	34.	53-400103-xxx	Front Decal
	53-860395-000	R.O. 45° Seat Swivel	35.	53-400462-000	Seat Support w/Swivel
	53-400231-000	N.A. 45° Seat Swivel	36.	11-006345-000	Button Hd. Cap Screw (3/8-16 x 1")
7.	53-400109-000	Tube Cap 3" (light gray)	37.	**53-860960-xxx	Seat Color Kit contains 1 each of item numbers: 1, 32, 33 and 34 and 6 each of item 31. (Not illustrated)
	53-400109-100	Tube Cap 3" (silver)			
8.	11-052037-001	Flat Washer			
9.	11-051769-001	Lockwasher			
10.	11-054803-001	Button Socket Hd. Cap Screw (6mm x 16mm)	38.	53-400124-000	Pivot Spring (left-hand seat)
11.	53-400301-001	N.A. Button Hd. Cap Screw (3/8-16 x 2-1/4")	39.	*53-861072-000	N.A. Swing Swivel Weldment Pkg. (Gray) includes index numbers 7, 29, 35, 36, 40 and 41
	53-400503-020	R.O. Button Hd. Cap Screw (3/8-16 x 2-1/4")		*53-861072-100	N.A. Swing Swivel Weldment Pkg. (Silver) (includes index numbers 7, 29, 35, 36, 40 & 41)
	***53-400301-003	N.A. Button Hd. Socket Cap Screw (3/8-16 x 3/4")			
	53-400501-020	R.O. Button Hd. Socket Cap Screw (3/8-16 x 3/4")			
12.	N.A.	Table Frame - Pivot/Swivel			
13.	11-125104-001	Hex Nut (3/8-16)		53-866072-000	R.O. Swing Swivel Weldment
14.	11-195016-001	Lockwasher (3/8)	40.	*53-400464-000	N.A. Table Support
15.	11-191014-001	Flat Washer (3/8)	41.	***53-861100-001	Table Weldment Hardware Pkg. (includes index Nos. 14, 15, 16 & 18)
16.	11-194140-001	N.A. Belleville Washer (3/8)	42.	****54-861046-xxx	N.A. Voltaire Seat (-001 Dark Cherry or -002 Maple Natural)
17.	11-190014-003	R.O. Black Shim Washer (3/8)		54-861106-xxx	R.O. Easton Seat available in -001 Dark Cherry or -002 Natural Wood Finishes only (Pkg. of 2)
18.	11-190014-001	R.O. Flat Washer (3/8)	43.	54-860511-xxx	54-8600511-xxx Voltaire Seat - only (-001 Dark Cherry or -002 Maple Natural) (Pkg. of 4)
19.	11-111456-000	Concrete Stud (3/8-16 x 3-1/2")	44.	11-095014-000	Nut Insert (3/8-16 x .984" Hex Drive)
	N.A.	Concrete Anchor (3/8-16)	45.	11-051702-001	Hex Nut (6 mm)
	11-111560-000	Concrete Anchor (3/8-16 x 1-9/16")			
20.	11-101164-001	Set Screw (1/4-20 x 1/2")			
21.	53-400132-000	Pivot Arm Bumper			
22.	53-400130-000	N.A. Swivel Bearing			
23.	53-861055-000	R.O. Swivel Bearing			
	53-400229-000	Spring Sleeve			

N.A. = No Longer Available
R.O. = Replacement Option

* Not Illustrated

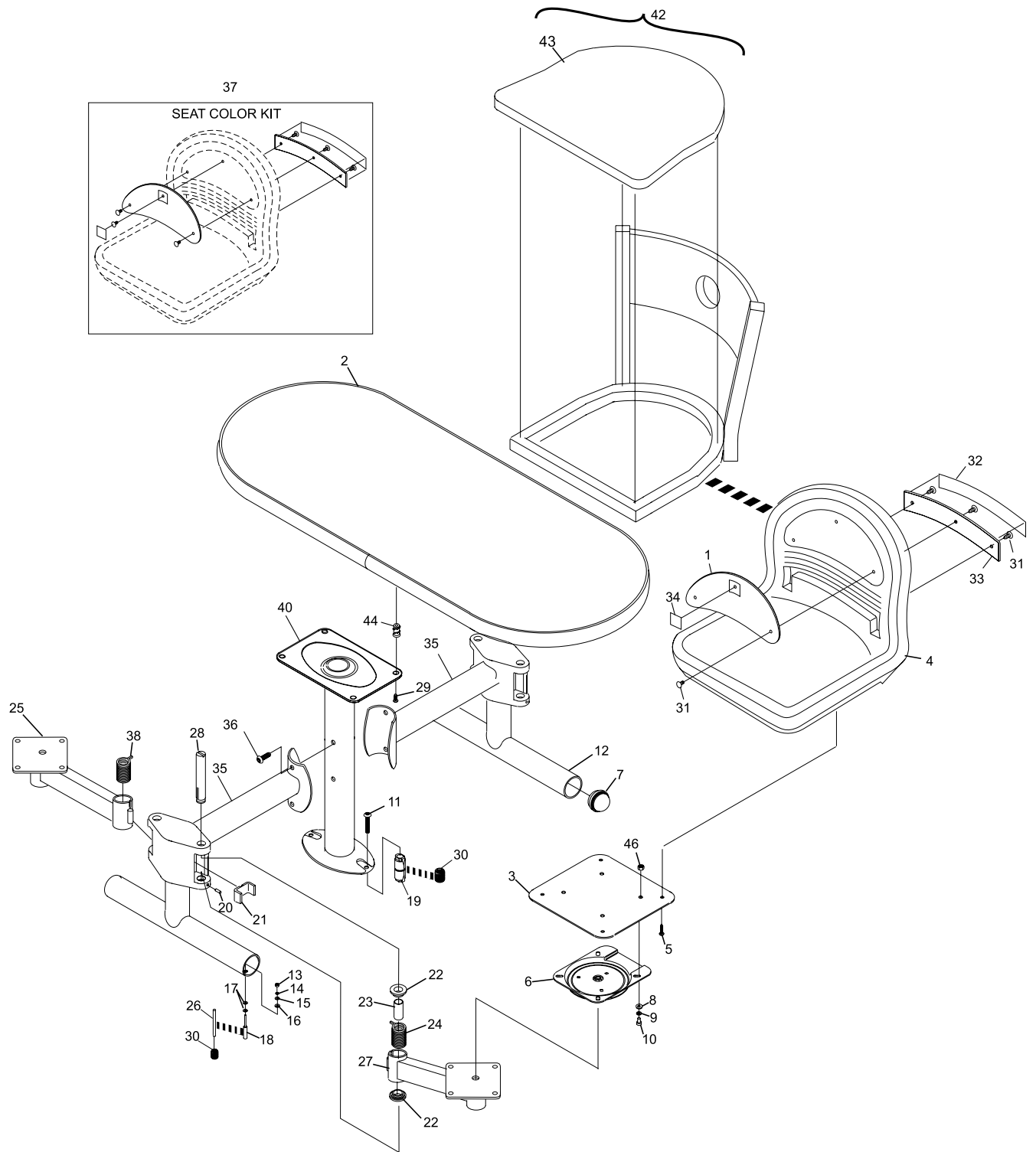
** Color Chart - last three digits in part number (suffix) designate color.

*** Concrete Anchor (P/N 11-111560-000 must be used with Button Hd. Socket Cap Screw (P/N 53-400301-003) which is no longer available use P/N 53-400501-020.

**** When replacing a Voltaire seat, customers must also order (2) 53-860395-000 45° seat swivels.

2009 Frameworx Color Series	
-205	Black
-232	Light Grey
-260	Violet
-261	Daffodil
-262	Blaze Orange
-263	Malachite
-265	Jade
-266	Navy
-267	Eggplant
-268	Silver

Frameworkx Table Assembly with Pivot Arm and Swivel Seat



Framework Table Assembly with Pivot Arm and Swivel Seat

Index

No.	Part No.	Description
1.	*53-860971-xxx	Round End Table Top
2.	*53-860972-xxx	Trapezoidal Table Top
3.	*53-860973-xxx	Rectangular Table Top
4.	*53-860969-xxx	Triangular Table Top
5.	53-860943-000	Modesty Panel (Dolphin Gray)
	53-860943-264	Modesty Panel (Slate)
6.	53-860949-000	Triangular Table Bracket
7.	53-400301-002	N.A. Bolt (3/8-16 x 1")
8.	53-400325-000	N.A. Mod Wall Leg Assembly
	53-866942-000	R.O. Mod Wall Support Pkg. - includes 2 Leg Weldments and Hardware (Dark Gray)
	53-866942-100	Mod Wall Support Pkg. - includes 2 Leg Weldments and Hardware (Silver)
9.	53-400302-000	Hole Plugs
10.	N.A.	Concrete Anchor (3/8-16)
	**11-111560-000	Hilti Concrete Anchor (3/8-16 x 1-9/16")
11.	53-860945-000	Shelf Insert
	53-860945-004	Shelf Insert (Graphite)
12.	11-095011-000	Wood Insert (3/8-16 x 1.181")
13.	53-400301-001	N.A. Button Hd. Cap Screw (3/8-16 x 2-1/4")
	53-400503-020	R.O. Button Hd. Cap Screw (3/8-16 x 2-1/4")
	**53-400301-003	N.A.. Button Hd. Socket Cap Screw (3/8-16 x 3/4")
	53-400501-020	R.O. Button Hd. Socket Cap Screw (3/8-16 x 3/4")
14.	11-006345-000	Button Hd. Cap Screw (3/8-16 x 1")
15.	53-866944-000	Mod Wall Ball Rack Accessory (Dark Gray)
	53-866944-100	Mod Wall Ball Rack Accessory (Silver)
16.	*53-860942-001	Mod Wall Support and Hardware Pkg. (includes index numbers 9,10, and 13)

N.A. = No Longer Available
R.O. = Replacement Option

* Not Illustrated

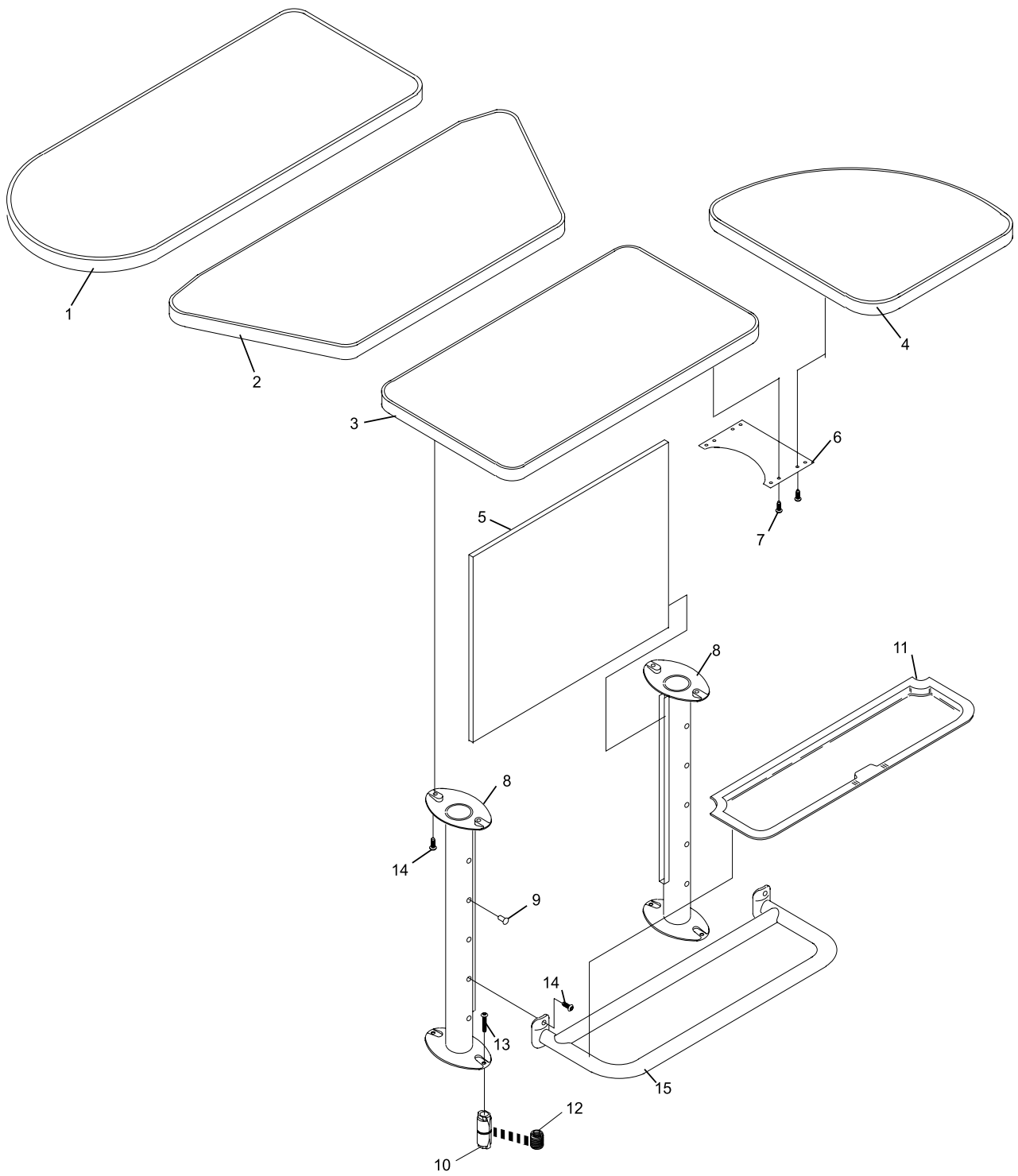
NOTE: Last three digits in part number (suffix) designate color.

* Color Chart

2009 Frameworx Color Series	
-205	Black
-232	Light Grey
-260	Violet
-261	Daffodil
-262	Blaze Orange
-263	Malachite
-265	Jade
-266	Navy
-267	Eggplant
-268	Silver

** Concrete Anchor - Part No. 11-111560-000 must be used with Button Hd. Socket Cap Screw - Part No. 53-400301-003 which is No Longer Available use Replacement Option 53-400501-020. To receive 4 each, order Part No. 53-860963-001.

Frameworkx Modular Wall Base Unit with Optional Storage Rack Assembly



Frameworkx Modular Wall Base Unit with Optional Storage Rack Assembly

Index

No.	Part No.	Description
1.	53-860959-000	Contour Seat Pkg. (Dark Gray)
	53-860959-004	Contour Seat Pkg. (Graphite)
2.	53-400357-000	N.A. Modular Wall Chair Weldment - Fixed/Swivel (Dark Gray)
	53-400357-100	Modular Wall Chair Weldment - Fixed/Swivel (Silver)
3.	53-400109-000	Tube Cap 3" (light gray)
	53-400109-100	Tube Cap 3" (silver)
4.	53-400165-000	Adapter Plate
5.	53-400437-000	N.A. 60° Seat Swivel
	53-400231-000	N.A. 45° Seat Swivel
	53-860395-000	R.O. 45° Seat Swivel
6.	11-052037-001	Flat Washer
7.	11-051769-001	Lockwasher
8.	11-054803-001	Socket Hd. Cap Screw
9.	53-400301-001	N.A. Button Hd. Cap Screw (3/8-16 x 2-1/4")
	53-400503-020	R.O. Button Hd. Cap Screw (3/8-16 x 2-1/4")
	**53-400301-003	N.A. Button Hd. Socket Cap Screw (3/8-16 x 3/4")
	53-400501-020	R.O. Button Hd. Socket Cap Screw (3/8-16 x 3/4")
10.	11-095011-000	Wood Insert (3/8-16 x 1.81")
11.	N.A.	Concrete Anchor (3/8-16)
	**11-111560-000	Hilti Concrete Anchor (3/8-16 x 1-9/16")
12.	*53-861010-xxx	Plastic Fastener for Inserts (Pkg. of 10)
13.	*N.A.	Front Insert (use index number 19)
14.	*53-400103-xxx	Front Decal
15.	N.A.	Rear Insert - Gray (use index number 19)
16.	*53-400111-xxx	Rear Decal
17.	11-082862-001	Self Tapping Screw (#14-10 x 1")
18.	53-861066-000	Seat Back Cap w/Fasteners (Dark Gray)
19.	*53-860960-xxx	Color Seat Kit (This package contains 1 each of item numbers: 13, 14, 15 and 16 and 6 each of item 12.)
20.	***54-861106-001	R.O. Voltaire Seat (-001 Dark Cherry or -002 Maple Natural)
	***54-861106-xxx	R.O. Easton Seat available in -001 Dark Cherry or -002 Natural wood finishes only (Pkg. of 2)
21.	54-860511-xxx	Voltaire Seat - only (-001 Dark Cherry or -002 Maple Natural) (Pkg. of 4)
	54-860512-xxx	Pkg - Replacement, Seat Bottom Style B. - Alden, Brodrick, Easton, Montgomery. (2 per pkg.)
	54860513-xxx	Pkg. - Replacement, seat bottom Style C. - Wayland
22.	11-051702-001	Hex Nut (6mm)

N.A. = No Longer Available

NOTE: Last three digits in part number (suffix) designate color.

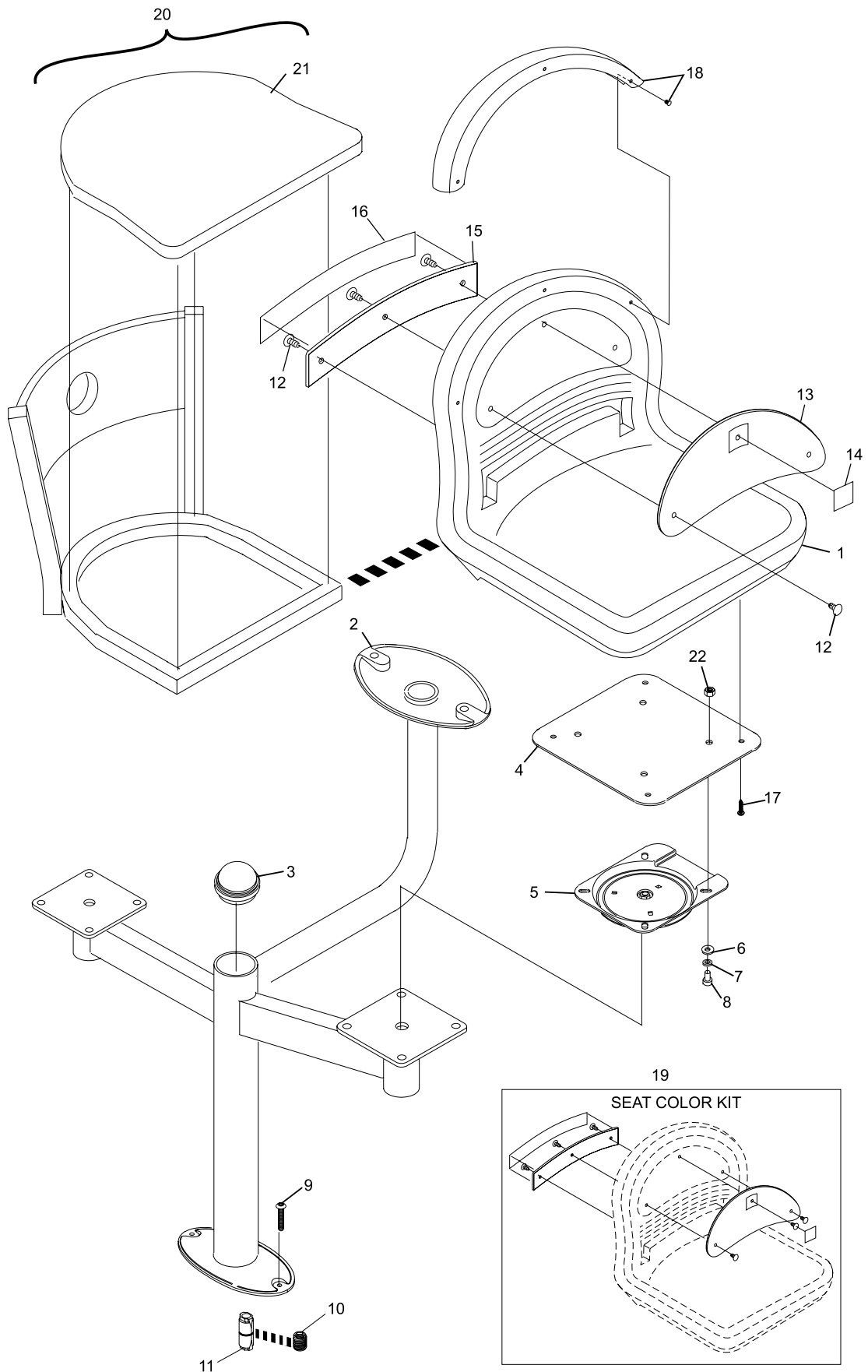
* Color Chart

2009 Frameworx Color Series	
-205	Black
-232	Light Grey
-260	Violet
-261	Daffodil
-262	Blaze Orange
-263	Malachite
-265	Jade
-266	Navy
-267	Eggplant
-268	Silver

** Concrete Anchor - Part No. 11-111560-000 must be used with Button Hd. Socket Cap Screw - Part No. 53-400301-003 which is No Longer Available use Replacement Option 53-400501-020.

*** When replacing a Voltaire seat, customers must also order (2) 53-860395-000 45° seat swivels.

Frameworkx Modular Wall Seating with Fixed Arm and Swivel Seat



Framework Modular Wall Seating with Fixed Arm and Swivel Seat

Index

No.	Part No.	Description
1.	53-860959-000	Contour Seat Pkg. (Light Gray)
	53-860959-004	Contour Seat Pkg. (Graphite)
2.	53-400165-000	Adapter Plate (Dark Gray)
	53-400165-100	Adapter Plate (Silver)
3.	53-400360-000	N.A. Modular Wall Chair Weldment - Pivot/Swivel
4.	53-400437-000	N.A. 60° Seat Swivel
	53-400231-000	N.A. 45° Seat Swivel
	53-860395-000	R.O. 45° Seat swivel
5.	53-400131-000	Shaft Detail
6.	53-400435-000	L.H. Arm Weldment - Pivot/Swivel
7.	11-103204-001	N.A. Set Screw (5/16-18 x 1/2")
8.	53-400132-000	Swing Arm Bumper
9.	N.A.	Concrete Anchor (3/8-16)
	**11-111560-000	Concrete Anchor (3/8-16 x 1-9/16")
10.	53-400229-000	Spring Sleeve
11.	53-400124-000	Pivot Spring (for left-hand seat)
12.	53-400130-000	Swivel Bearing
13.	53-400434-000	R.H. Arm Weldment - Pivot/Swivel
14.	11-052037-001	Flat Washer
15.	11-051769-001	Lockwasher
16.	11-054803-001	Socket Hd. Cap Screw
17.	53-400301-001	N.A. Button Hd. Cap Screw (3/8-16 x 2-1/4")
	53-400503-020	R.O. Button Hd. Cap Screw (3/8-16 x 2-1/4")
	**53-400301-003	N.A. Button Hd. Socket Cap Screw (3/8-16 x 3/4")
	53-400501-020	R.O. Button Hd. Socket Cap Screw (3/8-16 x 3/4")
18.	11-095011-000	Wood Insert (3/8-16 x 1.181)
19.	11-082862-001	Self Tapping Screw (#14-10 x 1")
20.	*53-861010-xxx	Plastic Fastener for Inserts (Pkg. of 10)
21.	N.A.	Front Insert (use index number
22.	53-400103-xxx	Front Decal
23.	N.A.	Rear Insert - Gray
24.	53-400111-xxx	Rear Decal
25.	53-861066-000	Seat Back Cap w/Fasteners (Dark Gray)
26.	*53-860960-xxx	Seat Color Kit (contains 1 each of item numbers 21, 22, 23 and 24 and 6 each of item 20)
27.	53-400125-000	Pivot Spring (right-hand seat)
28.	**54-861046-xxx	N.A. Voltaire Seat (-001 Dark Cherry or -002 Maple Natural)
	54-861106-xxx	R.O. Easton Seat available in: -001 Dark Cherry or 002 Natural wood finishes only (Pkg. of 2)
29.	54-860512-xxx	Pkg - Replacement, Seat Bottom Style B. - Alden, Brodrick, Easton, Montgomery. (2 per pkg.)
	54860513-xxx	Pkg. - Replacement, seat bottom Style C. - Wayland
30.	11-051702-001	Hex Nut (6mm)

N.A. = No Longer Available

NOTE: Last three digits in part number (suffix) designate color.

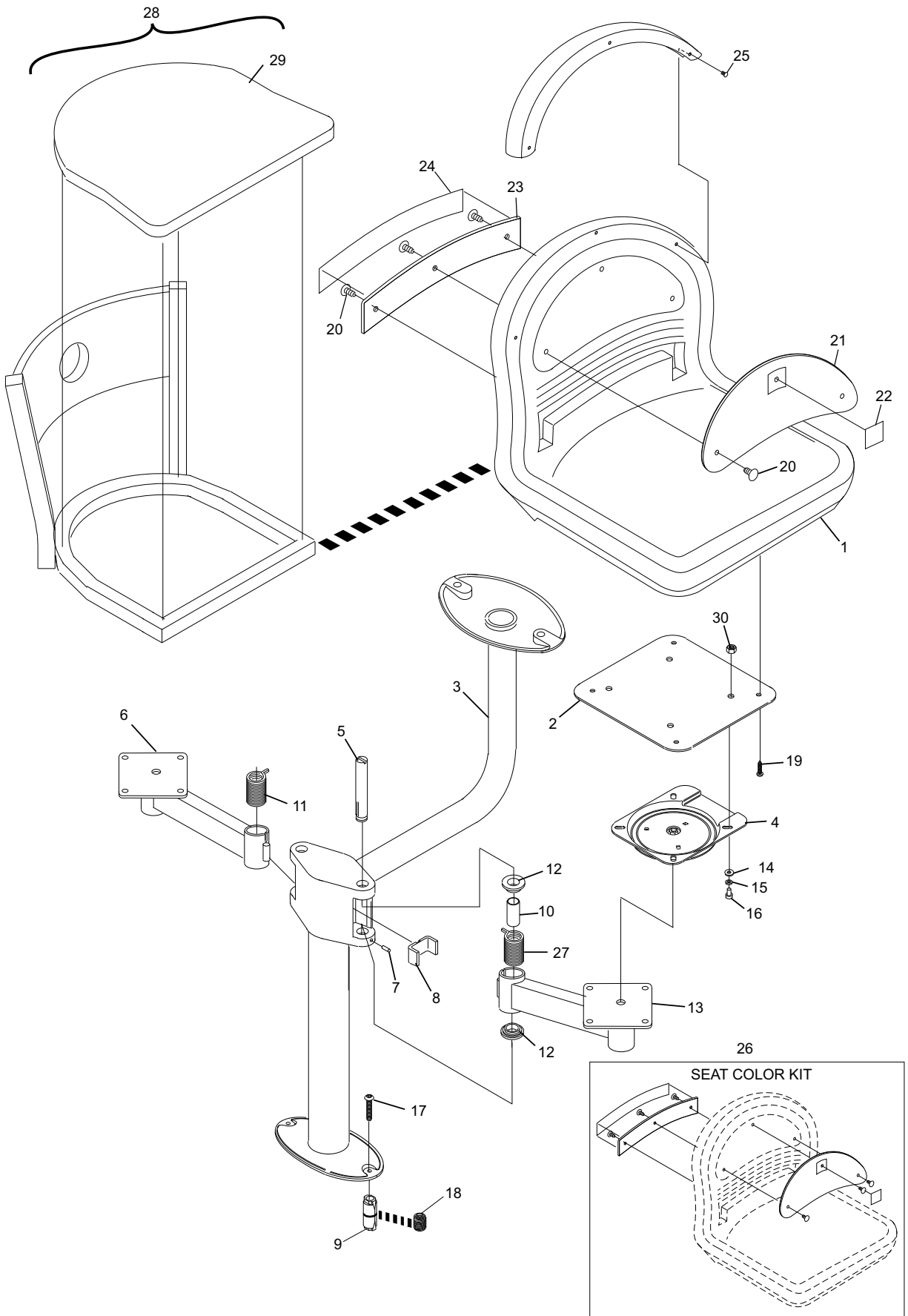
* Color Chart

2009 Frameworx Color Series	
-205	Black
-232	Light Grey
-260	Violet
-261	Daffodil
-262	Blaze Orange
-263	Malachite
-265	Jade
-266	Navy
-267	Eggplant
-268	Silver

** Concrete Anchor - Part No. 11-111560-000 must be used with Button Hd. Socket Cap Screw - Part No. 53-400301-003 which is No Longer Available use replacement Option 53-400501-020.

*** When replacing a Voltaire seat, customers must also order (2) 53-860395-000 45° seat swivels.

Frameworkx Modular Wall Seating with Pivot Arm and Swivel Seat



Frameworkx Modular Wall Seating with Pivot Arm and Swivel Seat

Index

No.	Part No.	Description
1.	*53-860970-xxx	Round Table Top
2.	11-006345-000	Button Hd. Cap Screw (3/8-16 x 1")
3.	53-866964-000	Round Table Frame (Dark Gray)
	53-866964-100	Round Table Frame (Silver)
4.	53-400301-001	N.A. Button Hd. Cap Screw (3/8-16 x 2-1/4")
	53-400503-020	R.O. Button Hd. Cap Screw (3/8-16 x 2-1/4")
	**53-400301-003	N.A. Button Hd. Socket Cap Screw (3/8-16 x 3/4")
	53-400501-020	R.O. Button Hd. Socket Cap Screw (3/8-16 x 3/4")
5.	N.A.	Concrete Anchor (3/8-16)
	**11-111560-000	Concrete Anchor (3/8-16 x 1-9/16")
6.	11-095011-000	Wood Insert (3/8-16 x 1.181")

N.A. = No Longer Available

NOTE: Last three digits in part number (suffix) designate color.

* Color Chart

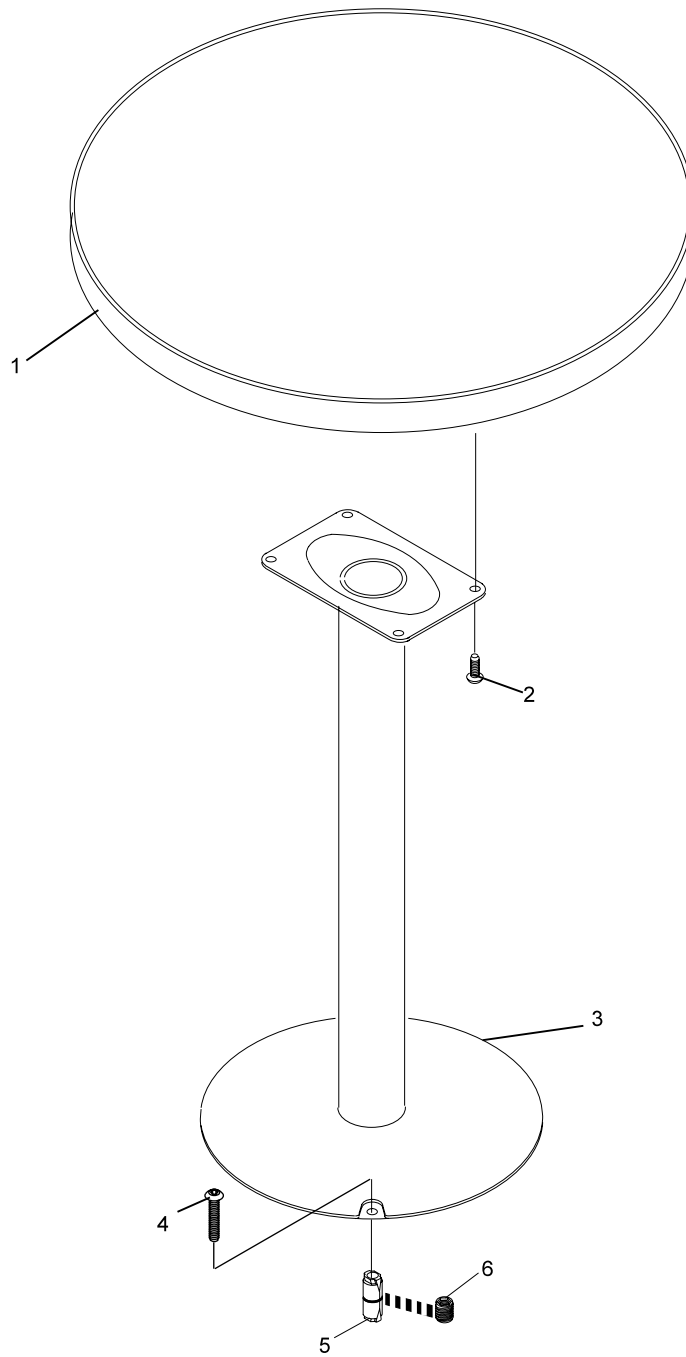
Part No.	Primary Color	Molding Color	Laminate
Suffix	Color	Color	Laminate
1997 Frameworx Color Series			
-220	Blueberry	Banana	Light & Glow
-221	Kiwi	Blueberry	Light & Glow
-222	Cranberry	Banana	Light & Glow
-223	Grape	Kiwi	Light & Glow
-224	Banana	Grape	Dark & Glow
-225	Strawberry	Banana	Dark & Glow
-226	Cranberry	Banana	Dark & Glow
-227	Banana	Grape	Light & Glow
-228	Strawberry	Banana	Light & Glow
-229	Blueberry	Banana	Dark & Glow
-230	Kiwi	Blueberry	Dark & Glow
-231	Grape	Kiwi	Dark & Glow

Part No.	Primary Color	Molding Color	Laminate
Suffix	Color	Color	Laminate
2009 Frameworx Color Series			
-260	Violet	Violet	Glow
-261	Daffodil	Daffodil	Glow
-262	Blaze Orange	Blaze Orange	Glow
-263	Malachite	Malachite	Glow
-264	Slate	Slate	Glow
-265	Jade	Jade	Non-Glow
-266	Navy	Navy	Non-Glow
-267	Eggplant	Eggplant	Non-Glow
-268	Silver	Silver	Non-Glow
-269	Slate Slate	w/Silver Stripe	Non-Glow

Part No.	Primary Color	Molding Color	Laminate
Suffix	Color	Color	Laminate
2005 Frameworx Premium Wood Finishes			
-310	Maple	Black	Maple
-311	Rosewood	Black	Rosewood
-312	Black	Black	Black

** Concrete Anchor - Part No. 11-111560-000 must be used with Button Hd. Socket Cap Screw - Part No. 53-400301-003 which is No Longer Available use Replacement Option 53-400501-020.

Frameworx Stand-Alone Round Table



Frameworkx Stand-Alone Round Table

Index

No.	Part No.	Description
1.	53-860969-xxx	Triangular Table Top
2.	53-400301-001	N.A. Button Hd. Cap Screw (3/8-16 x 2-1/4")
	53-400503-020	R.O. Button Hd. Cap Screw (3/8-16 x 2-1/4")
	53-400301-003	N.A. Button Hd. Cap Screw (3/8-16 x 3/4")
	53-400501-020	R.O. Button Hd. Cap Screw (3/8-16 x 3/4")
3.	53-860966-000	Triangular Table Base (Dark Gray)
	53-860966-000	Triangular Table Base (Silver)
4.	11-006345-000	Button Hd. Cap Screw (3/8-16 x 1")
5.	53-400361-000	N.A. Rail
	53-860967-000	N.A. Arm Rail w/Hardware (Dark Gray)
	53-860967-100	N.A. Arm Rail w/Hardware (Silver)
6.	N.A.	Concrete Anchor (3/8-16)
	**11-111560-000	Concrete Anchor (3/8-16 x 1-9/16")
7.	11-095011-000	Wood Insert (3/8-16 x 1-181")
8.	11-190512-001	Flat Washer (#13 x 32)
9.	11-001354-001	Hex Head Machine Screw (3/8-16 x 2-1/2")

N.A. = No Longer Available

NOTE: Last three digits in part number (suffix) designate color.

* Color Chart

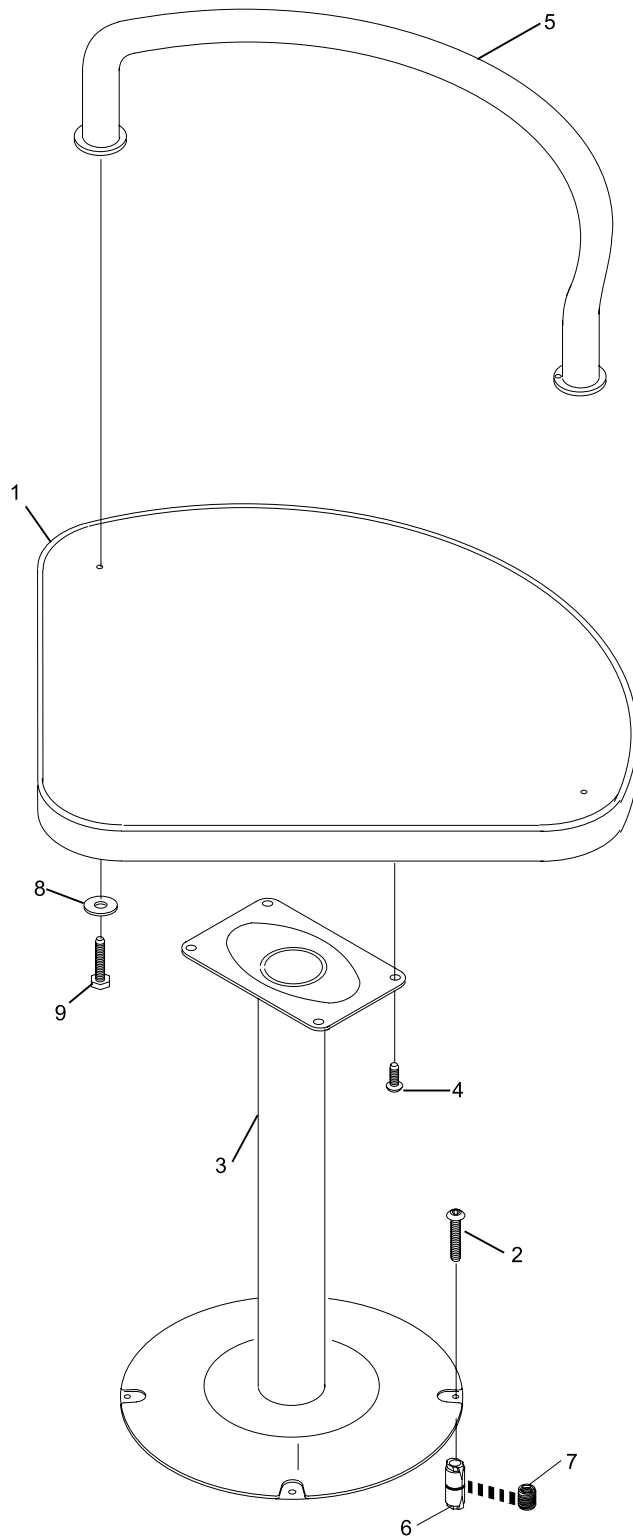
Part No. Suffix	Primary Color	Molding Color	Laminate
1997 Framework Color Series			
-220	Blueberry	Banana	Light & Glow
-221	Kiwi	Blueberry	Light & Glow
-222	Cranberry	Banana	Light & Glow
-223	Grape	Kiwi	Light & Glow
-224	Banana	Grape	Dark & Glow
-225	Strawberry	Banana	Dark & Glow
-226	Cranberry	Banana	Dark & Glow
-227	Banana	Grape	Light & Glow
-228	Strawberry	Banana	Light & Glow
-229	Blueberry	Banana	Dark & Glow
-230	Kiwi	Blueberry	Dark & Glow
-231	Grape	Kiwi	Dark & Glow

Part No. Suffix	Primary Color	Molding Color	Laminate
2009 Framework Color Series			
-260	Violet	Violet	Glow
-261	Daffodil	Daffodil	Glow
-262	Blaze Orange	Blaze Orange	Glow
-263	Malachite	Malachite	Glow
-264	Slate	Slate	Glow
-265	Jade	Jade	Non-Glow
-266	Navy	Navy	Non-Glow
-267	Eggplant	Eggplant	Non-Glow
-268	Silver	Silver	Non-Glow
-269	Slate Slate	w/Silver Stripe	Non-Glow

Part No. Suffix	Primary Color	Molding Color	Laminate
2005 Framework Premium Wood Finishes			
-310	Maple	Black	Maple
-311	Rosewood	Black	Rosewood
-312	Black	Black	Black

** Concrete Anchor - Part No. 11-111560-000 must be used with Button Hd. Socket Cap Screw - Part No. 53-400301-003 which is No Longer Available use 53-400501-020.

Framework Stand-Alone Triangular Table



Frameworkx Stand-Alone Triangular Table

Index

No.	Part No.	Description
1.	*53-860970-xxx	Round Table
2.	11-006345-000	Button Hd. Cap Screw (3/8-16 x 1")
3.	53-860963-000 N.A.	Round Ball Rack
	53-866028-000	3-Tier Round Ball Rack (Dark Gray)
	53-866028-100	3-Tier Round Ball Rack (Silver)
4.	53-400301-001 N.A.	Button Hd. Cap Screw (3/8-16 x 2-1/4")
	53-400503-020 R.O.	Button Hd. Cap Screw (3/8-16 x 2-1/4")
	**53-400301-003 N.A.	Button Hd. Socket Cap Screw (3/8-16 x 3/4")
	53-400501-020 R.O.	Button Hd. Socket Cap Screw (3/8-16 x 3/4")
5.	53-860990-000	Wood Insert (3/8-16 x 1.181")
6.	N.A.	Concrete Anchor (3/8-16 x 3/4")
	**11-111560-000	Concrete Anchor (3/8-16 x 1-9/16")

N.A. = No Longer Available

NOTE: Last three digits in part number (suffix) designate color.

* Color Chart

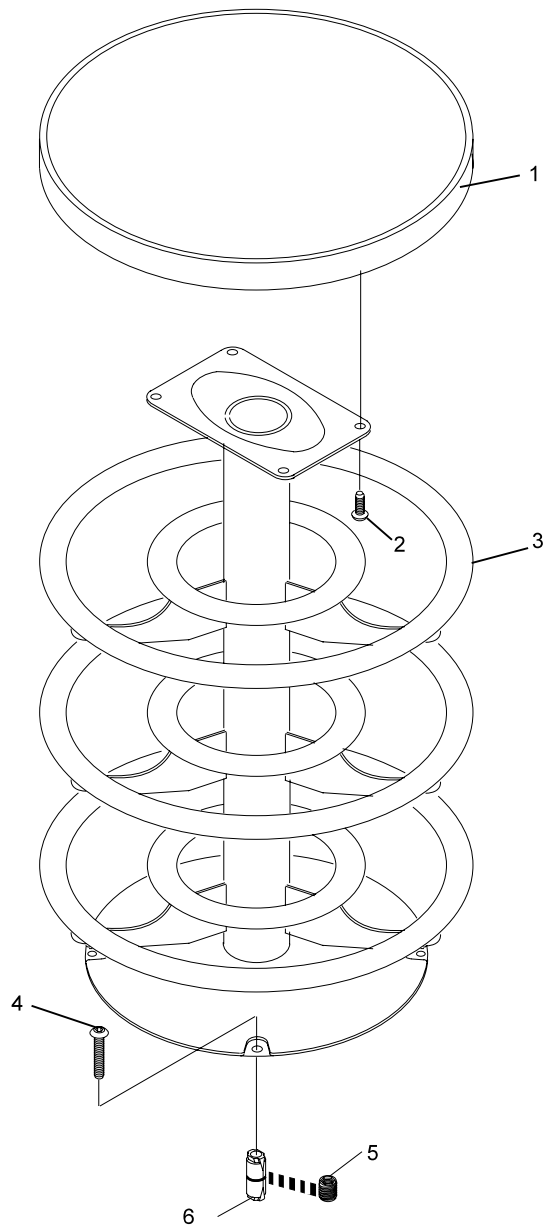
Part No.	Primary	Molding	Laminate
Suffix	Color	Color	
1997 Frameworx Color Series			
-220	Blueberry	Banana	Light & Glow
-221	Kiwi	Blueberry	Light & Glow
-222	Cranberry	Banana	Light & Glow
-223	Grape	Kiwi	Light & Glow
-224	Banana	Grape	Dark & Glow
-225	Strawberry	Banana	Dark & Glow
-226	Cranberry	Banana	Dark & Glow
-227	Banana	Grape	Light & Glow
-228	Strawberry	Banana	Light & Glow
-229	Blueberry	Banana	Dark & Glow
-230	Kiwi	Blueberry	Dark & Glow
-231	Grape	Kiwi	Dark & Glow

Part No.	Primary Color	Molding Color	Laminate
Suffix			
2009 Frameworx Color Series			
-260	Violet	Violet	Glow
-261	Daffodil	Daffodil	Glow
-262	Blaze Orange	Blaze Orange	Glow
-263	Malachite	Malachite	Glow
-264	Slate	Slate	Glow
-265	Jade	Jade	Non-Glow
-266	Navy	Navy	Non-Glow
-267	Eggplant	Eggplant	Non-Glow
-268	Silver	Silver	Non-Glow
-269	Slate Slate	w/Silver Stripe	Non-Glow

Part No.	Primary	Molding	Laminate
Suffix	Color	Color	
2005 Frameworx Premium Wood Finishes			
-310	Maple	Black	Maple
-311	Rosewood	Black	Rosewood
-312	Black	Black	Black

** Concrete Anchor - Part No. 11-111560-000 must be used with Button Hd. Socket Cap Screw - Part No. 53-400301-003 which is No Longer Available use Replacement Option 53-400501-020.

Frameworx Round Ball Rack Table



Frameworkx Round Ball Rack Table

Index

No.	Part No.	Description
1.	*53-860970-xxx	Round Table Top
2.	11-006345-000	Button Hd. Cap Screw (3/8-16 x 1")
3.	53-860998-000	2-Tier Round Ball Rack (Dark Gray)
	53-860998-100	2-Tier Round Ball Rack (Silver)
4.	53-400301-001	N.A. Button Hd. Cap Screw (3/8-16 x 2-1/4")
	53-400503-020	R.O. Button Hd. Cap Screw (3/8-16 x 2-1/4")
	**53-400301-003	N.A. Button Hd. Socket Cap Screw (3/8-16 x 3/4")
	53-400501-020	R.O. Button Hd. Socket Cap Screw (3/8-16 x 3/4")
5.	53-860990-000	Wood Insert (3/8-16)
6.	N.A.	Concrete Anchor (3/8-16)
	**11-111560-000	Concrete Anchor (3/8-16 x 1-9/16")

N.A. = No Longer Available

NOTE: Last three digits in part number (suffix) designate color.

* Color Chart

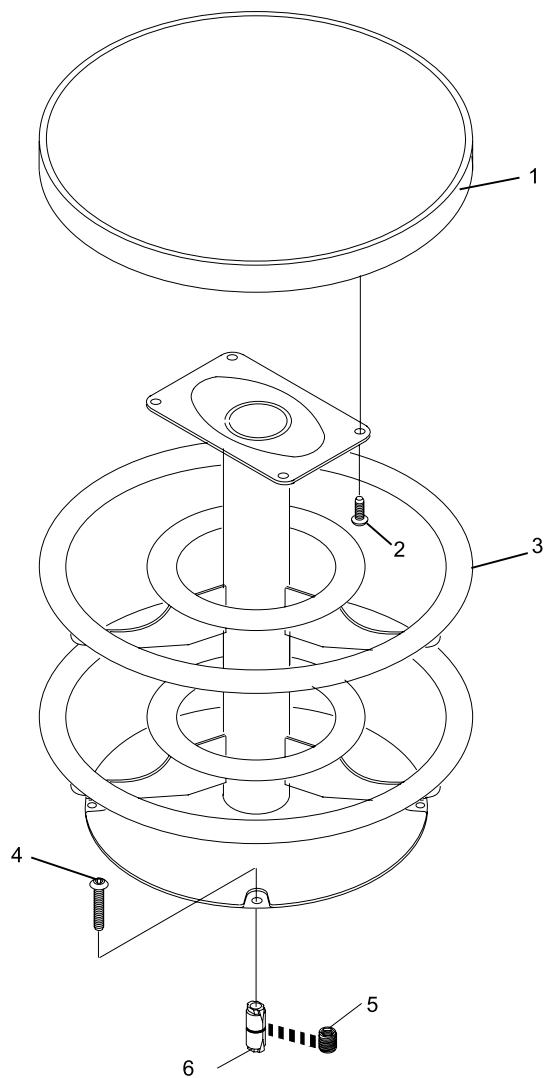
Part No.	Primary	Molding	Laminate
Suffix	Color	Color	
1997 Frameworx Color Series			
-220	Blueberry	Banana	Light & Glow
-221	Kiwi	Blueberry	Light & Glow
-222	Cranberry	Banana	Light & Glow
-223	Grape	Kiwi	Light & Glow
-224	Banana	Grape	Dark & Glow
-225	Strawberry	Banana	Dark & Glow
-226	Cranberry	Banana	Dark & Glow
-227	Banana	Grape	Light & Glow
-228	Strawberry	Banana	Light & Glow
-229	Blueberry	Banana	Dark & Glow
-230	Kiwi	Blueberry	Dark & Glow
-231	Grape	Kiwi	Dark & Glow

Part No.	Primary Color	Molding Color	Laminate
Suffix			
2009 Frameworx Color Series			
-260	Violet	Violet	Glow
-261	Daffodil	Daffodil	Glow
-262	Blaze Orange	Blaze Orange	Glow
-263	Malachite	Malachite	Glow
-264	Slate	Slate	Glow
-265	Jade	Jade	Non-Glow
-266	Navy	Navy	Non-Glow
-267	Eggplant	Eggplant	Non-Glow
-268	Silver	Silver	Non-Glow
-269	Slate Slate	w/Silver Stripe	Non-Glow

Part No.	Primary	Molding	Laminate
Suffix	Color	Color	
2005 Frameworx Premium Wood Finishes			
-310	Maple	Black	Maple
-311	Rosewood	Black	Rosewood
-312	Black	Black	Black

** Concrete Anchor - Part No. 11-111560-000 must be used with Button Hd. Socket Cap Screw - Part No. 53-400301-003 which is No Longer Available use Replacement Option 53-400501-020.

Frameworkx Two Tier Round Ball Rack with Table



Frameworkx Two Tier Round Ball Rack with Table

Index

No.	Part No.	Description
1.	*53-860974-xxx	Wall Rack Table Top
2.	53-860950-000	Wall Ball Rack w/Top Frame (Dark Gray)
	53-860950-100	Wall Ball Rack w/Top Frame (Silver)
3.	11-006345-000	Button Hd. Cap Screw (3/8-16 x 1")
4.	53-400301-001 N.A.	Button Hd. Cap Screw (3/8-16 x 2-1/4")
	53-400503-020 R.O.	Button Hd. Cap Screw (3/8-16 x 2-1/4")
	**53-400301-003 N.A.	Button Hd. Socket Cap Screw (3/8-16 x 3/4")
	53-400501-020 R.O.	Button Hd. Socket Cap Screw (3/8-16 x 3/4")
5.	N.A.	Concrete Anchor (3/8-16)
	**11-111560-000	Hilti Concrete Anchor (3/8-16 x 1-9/16")
6.	11-095011-000	Wood Insert (3/8 x 16 x 1.181")

N.A. = No Longer Available

NOTE: Last three digits in part number (suffix) designate color.

* Color Chart

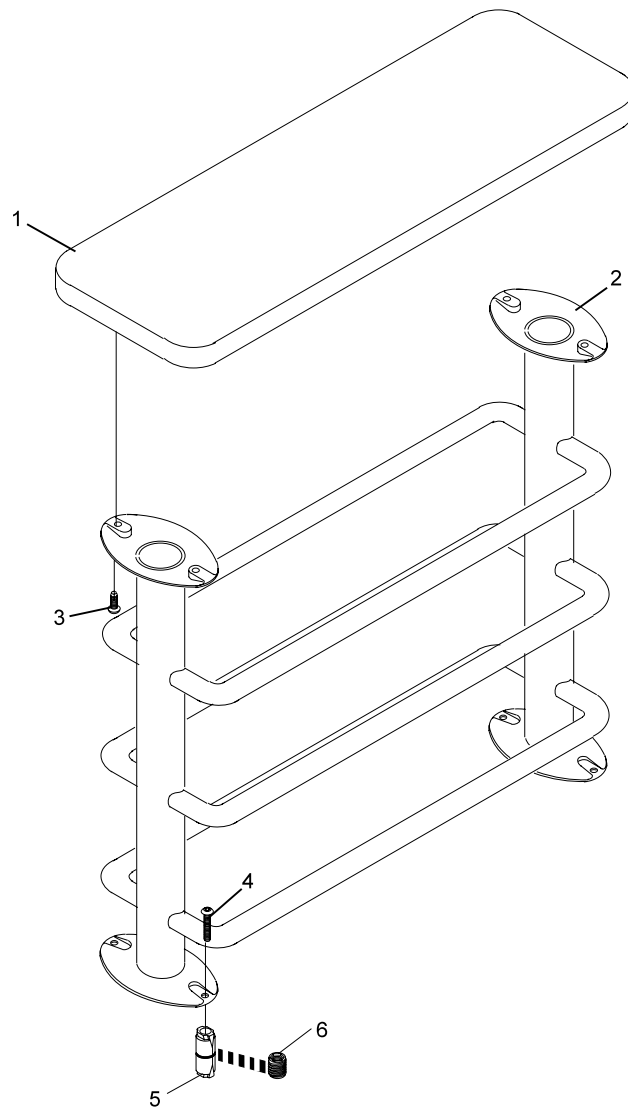
Part No.	Primary	Molding	Laminate
Suffix	Color	Color	
1997 Framework Color Series			
-220	Blueberry	Banana	Light & Glow
-221	Kiwi	Blueberry	Light & Glow
-222	Cranberry	Banana	Light & Glow
-223	Grape	Kiwi	Light & Glow
-224	Banana	Grape	Dark & Glow
-225	Strawberry	Banana	Dark & Glow
-226	Cranberry	Banana	Dark & Glow
-227	Banana	Grape	Light & Glow
-228	Strawberry	Banana	Light & Glow
-229	Blueberry	Banana	Dark & Glow
-230	Kiwi	Blueberry	Dark & Glow
-231	Grape	Kiwi	Dark & Glow

Part No.	Primary Color	Molding Color	Laminate
Suffix			
2009 Framework Color Series			
-260	Violet	Violet	Glow
-261	Daffodil	Daffodil	Glow
-262	Blaze Orange	Blaze Orange	Glow
-263	Malachite	Malachite	Glow
-264	Slate	Slate	Glow
-265	Jade	Jade	Non-Glow
-266	Navy	Navy	Non-Glow
-267	Eggplant	Eggplant	Non-Glow
-268	Silver	Silver	Non-Glow
-269	Slate Slate	w/Silver Stripe	Non-Glow

Part No.	Primary	Molding	Laminate
Suffix	Color	Color	
2005 Framework Premium Wood Finishes			
-310	Maple	Black	Maple
-311	Rosewood	Black	Rosewood
-312	Black	Black	Black

** Concrete Anchor - Part No. 11-111560-000 must be used with Button Hd. Socket Cap Screw - Part No. 53-400301-003 which is No Longer Available use Replacement Option 53-400501-020.

Framework Wall Ball Rack with Top



Frameworx Wall Ball Rack with Top

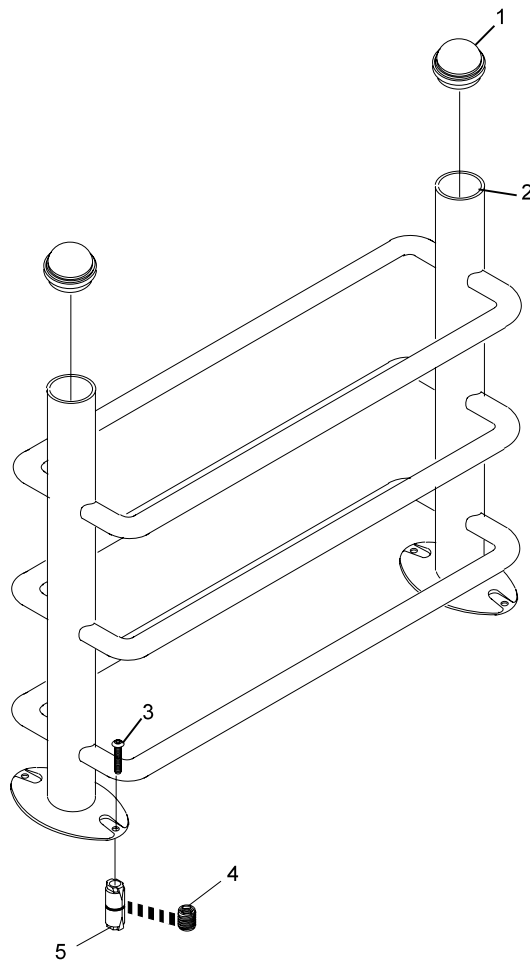
Index

No.	Part No.		Description
1.	53-400183-000		Tube Cap (4")
2.	53-860951-000	N.A.	Wall Ball Rack w/o Top Frame
3.	53-400301-001	N.A.	Button Hd. Cap Screw (3/8-16 x 2-14")
	53-400503-020	R.O.	Button Hd. Cap Screw (3/8-16 x 2-14")
	*53-400301-003	N.A.	Button Hd. Socket Cap Screw (3/8-16 x 3/4")
	53-400501-020	R.O.	Button Hd. Socket Cap Screw (3/8-16 x 3/4")
4.	11-095011-000		Wood Insert (3/8-16)
5.	N.A.		Concrete Anchor
	*11-111560-000		Concrete Anchor (3/8-16 x 1-9/16")

N.A. = No Longer Available

* Concrete Anchor - Part No. 11-111560-000 must be used with Button Hd. Socket Cap Screw - Part No. 53-400301-003 which is No Longer Available use Replacement Option 53-400501-020.

Framework Wall Ball Rack without Top



Framework Wall Ball Rack without Top

Index

No.	Part No.	Description
1.	*53-860959-000	Contour Seat Pkg. (Dark Gray)
	53-860959-004	Contour Seat Pkg. (Graphite)
2.	53-400193-000	Column Assembly w/Bushing
3.	53-400257-000	Upper Cover Tube (Dark Gray)
	53-400257-100	Upper Cover Tube (Silver)
4.	53-400225-001	N.A. Seat Plate Assembly (Silver)
	53-400225-000	Seat Plate Assembly (Dark Gray)
5.	53-400111-xxx	Rear Decal
6.	11-082862-001	Self Tapping Screw (#14-10 x 1")
7.	53-400196-000	Foot Rest Assembly
8.	53-400256-000	Lower Cover Tube (Dark Gray)
	53-400256-100	Lower Cover Tube (Silver)
9.	53-400194-000	Chair Base
10.	53-400195-000	Chair Glide
11.	*53-861010-xxx	Plastic Fastener for Inserts (Pkg. of 10) - No Longer available in -220 Blueberry, Order -232 Light Gray as a replacement option. The light gray -232 will also be the replacement color for other fasteners as inventory is depleted.
12.	N.A.	Front Insert (use index number 15)
13.	53-400103-xxx	Front Decal
14.	53-400113-000	Rear Insert (Light Gray)
15.	*53-860960-xxx	Seat Color Kit (contains 1 each of item numbers 12, 13, 5 and 14 and 6 each of item 11)
16.	53-400164-000	Chair Bearing
17.	53-861017-000	Pkg. Seat Base. (contains 1 each of item numbers: 2, 3, 4, 7, 8, & 9 and 5 each of item 5 and 4 each of item 16) - Dark Gray
	53-861017-100	Pkg. Seat Base. (contains 1 each of item numbers: 2, 3, 4, 7, 8, & 9 and 5 each of item 5 and 4 each of item 16) - Silver

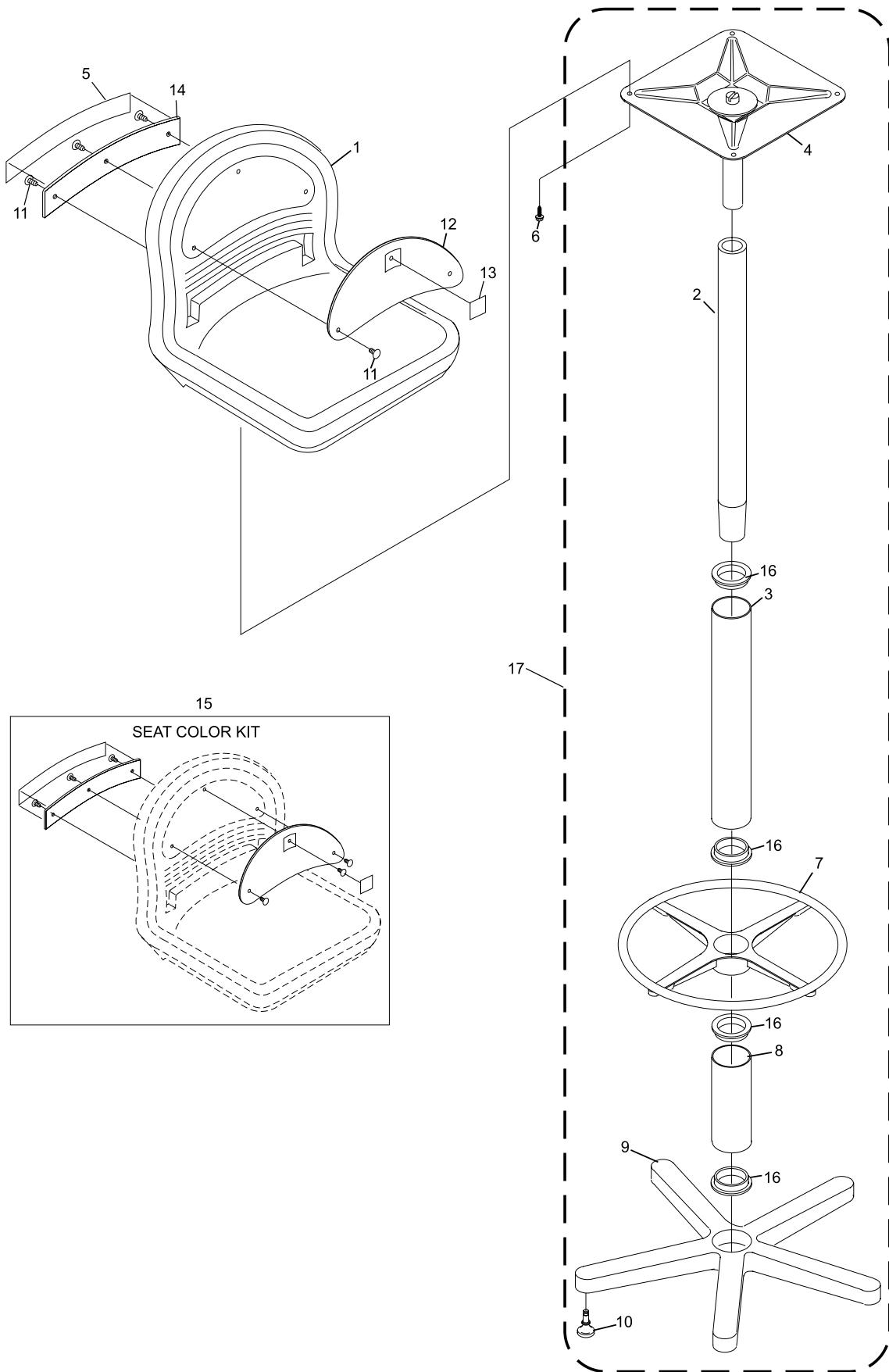
N.A. = No Longer Available

NOTE: Last three digits in part number (suffix) designate color.

*Color Chart

2009 Frameworx Color Series	
-205	Black
-232	Light Grey
-260	Violet
-261	Daffodil
-262	Blaze Orange
-263	Malachite
-265	Jade
-266	Navy
-267	Eggplant
-268	Silver

Frameworkx Freestanding Chair (Tall)



Frameworx Freestanding Chair (Tall)

Index

No.	Part No.	Description
1.	53-860959-000	Contour Seat Pkg. (Dark Gray)
	53-860959-004	Contour Seat Pkg. (Graphite)
2.	53-400225-001	N.A. Seat Plate Assembly (Silver)
	53-400225-000	Seat Plate Assembly (Dark Gray)
3.	11-082862-001	Self Tapping Screw (#14-10 x 1")
4.	53-400113-000	Rear Insert (Light Gray)
5.	53-400203-000	Column Assembly w/Bushing (13-11/16" Length)
	53-400422-000	Column Assembly w/Bushing (12-1/2" Length)
6.	53-400258-000	Cover Tube Assembly (Dark Gray)
	53-400258-100	Cover Tube Assembly (Silver)
7.	53-400194-000	Chair Base
8.	53-400195-000	Chair Glide
9.	*53-861010-xxx	Plastic Fastener for Inserts (Pkg. of 10) - No Longer available in -220 Blueberry, Order -232 Light Gray as a replacement option. The light gray -232 will also be the replacement color for other fasteners as inventory is depleted.
10.	N.A.	Front Insert (use index number 13)
11.	53-400103-xxx	Front Decal
12.	53-400111-xxx	Rear Decal
13.	*53-860960-xxx	Seat Color Kit (contains 1 each of item numbers 10, 11, 4 and 12 and 6 each of item 9)
14.	53-400164-000	Chair Bearing (Dark Gray)
15.	53-861018-000	Pkg. Seat Base. (contains 1 each of item numbers: 2 , 5, 6, 7 and 5 each of item number 8 and 2 each of item number 14) - Dark
	53-861018-100	Pkg. Seat Base. (contains 1 each of item numbers: 2 , 5, 6, 7 and 5 each of item number 8 and 2 each of item number 14) - Silver

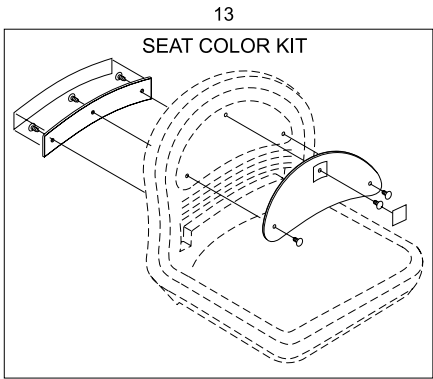
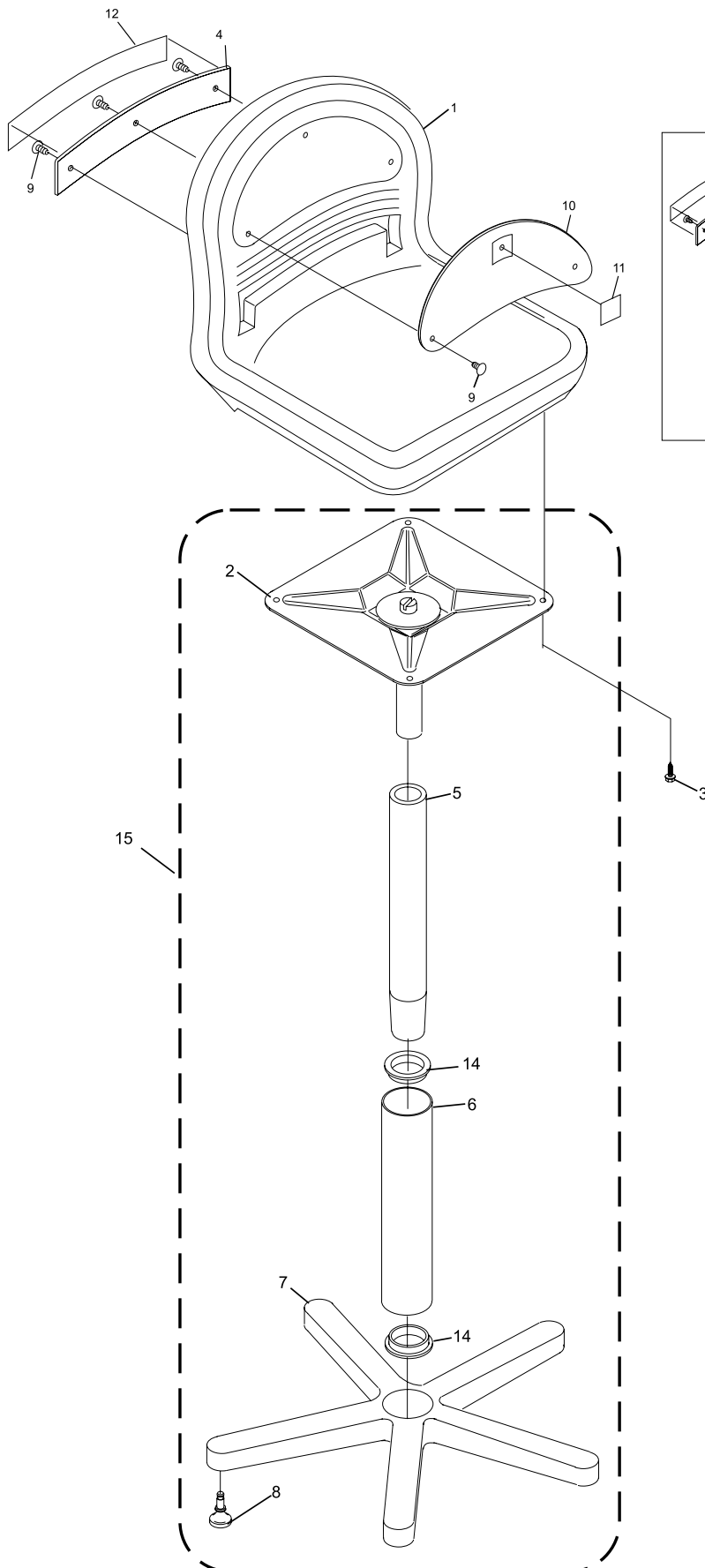
N.A. = No Longer Available

NOTE: Last three digits in part number (suffix) designate color.

* Color Chart

2009 Frameworx Color Series	
-205	Black
-232	Light Grey
-260	Violet
-261	Daffodil
-262	Blaze Orange
-263	Malachite
-265	Jade
-266	Navy
-267	Eggplant
-268	Silver

Frameworkx Freestanding Chair (Short)



Frameworkx Freestanding Chair (Short)

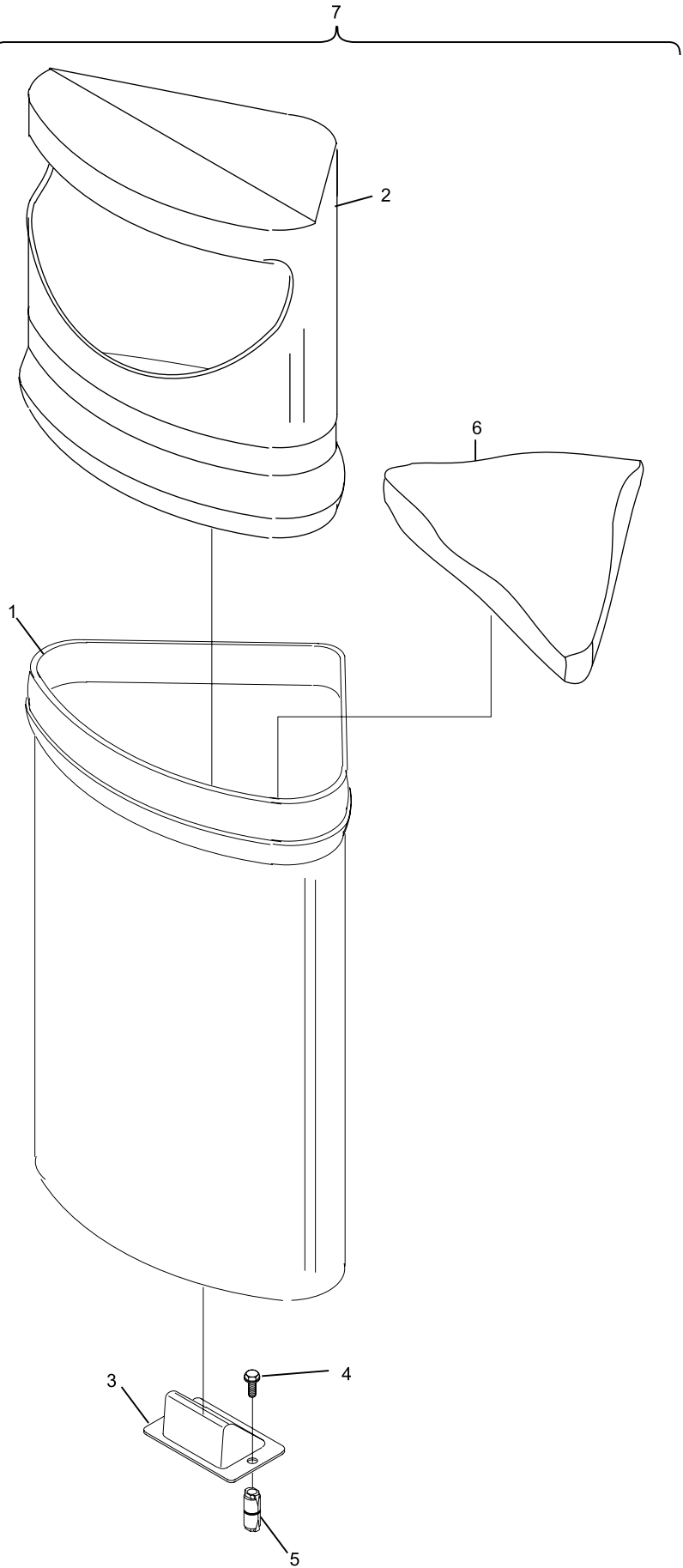
Index

No.	Part No.		Description
1.	53-400337-000	N.A.	Trash Receptacle Bottom
2.	53-400338-000	N.A.	Trash Receptacle Cover
3.	53-860947-001	N.A.	Trash Receptacle Base Plate Assy.
4.	11-001348-001		Cap Screw (3/8-16 x 1-1/2")
5.	53-400307-000	N.A.	Concrete Anchor (3/8-16)
	11-111560-000	R.O.	Concrete Anchor (3/8-16 x 1-9/16")
6.	53-400343-000	N.A.	Triangular Sand Bag - 15 lbs.
7.	53-860947-000		Trash Receptacle - Complete (Light Gray)
	53-860947-004		Trash Receptacle - Complete (Graphite II)

N.A. = No Longer Available

R.O. = Replacement Option

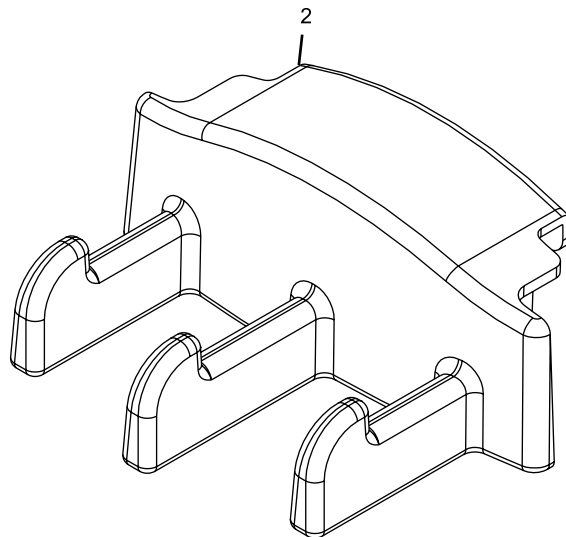
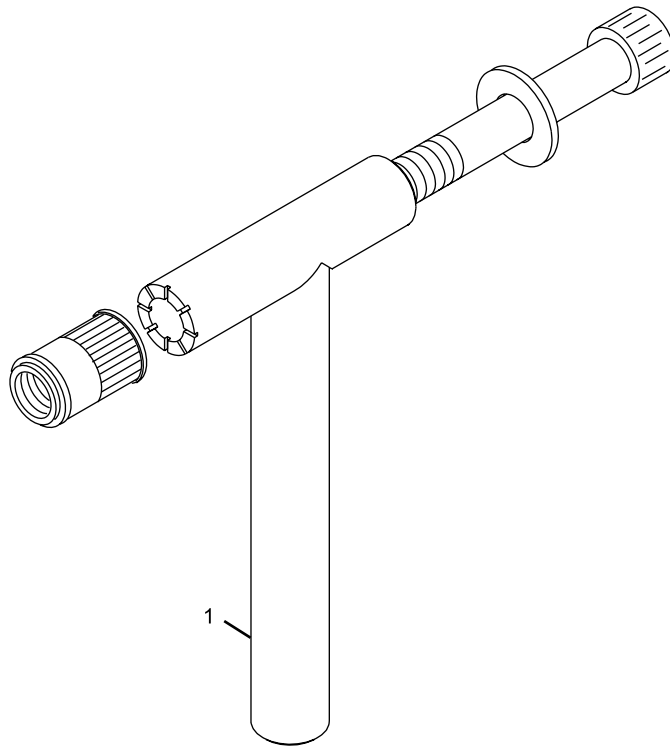
Frameworkx Trash Receptacle Assembly



Frameworkx Trash Receptacle Assembly

Index No.	Part No.	Description
1.	53-861038-000	AVK Insert Fastener Tool w/Ribbed Nut Insert - Frameworkx Furniture
2.	53-861012-000	Frameworkx Modular Wall Coat Rack (Light Gray)
	53-861012-004	Frameworkx Modular Wall Coat Rack (Graphite)

**AVK Insert Fastener Tool
Coat Rack**



**AVK Insert Fastener Tool
Coat Rack**

Index

No.	Part No.		Description
1.	*54-861004-000	S.O.	Back Rest Complete Assembly (Upholstered)
	*54-861078-000	S.O.	Backrest Replacement Fabric Only
2.	*54-861085-000	S.O.	L.H. Armrest Complete Assembly
	*54-861077-000	S.O.	L.H. Armrest Replacement Fabric Only
3.	*54-861059-000	S.O.	R.H. Armrest Complete Assembly (Upholstered)
	*54-861076-000	S.O.	R.H. Armrest Replacement Fabric Only
4.	*54-861060-000	S.O.	Seat Complete Assembly (Upholstered)
	*54-861075-000	S.O.	Seat Assembly Replacement Fabric Only
5.	54-200008-000		L.H. Bottom Panel
6.	54-200009-000		R.H. Bottom Panel
7.	11-051567-009	N.A.	Socket Head Cap Screw (M8 x 70 mm)
8.	11-052003-001	N.A.	Flat Washer (8.4 mm)
9.	11-051568-009	N.A.	Socket Head Cap Screw (M8 x 80 mm)
10.	11-052019-001		Flat Washer (M8)
11.	11-051566-009	N.A.	Socket Head Cap Screw (M6 x 40 mm)
12.	11-052023-001	N.A.	Flat Washer (6.4 mm)
	11-052048-001	R.O.	Flat Washer (6.4 mm)
13.	11-051509-009	N.A.	Socket Head Cap Screw (M6 x 12 mm)
14.	53-400301-002		Button Head Socket Cap Screw (3/8-16 x 1-1/4")
15.	11-191014-001		Flat Washer (3/8)
16.	11-051891-000		Pan Head Phillips Screw (M4 x 17 mm)
17.	11-111560-000		Hilti Concrete Anchor (3/8-16 x 1-9/16")
18.	**54-200010-000		Glides
19.	*54-200013-000		Trim Piece

N.A. = No Longer Available

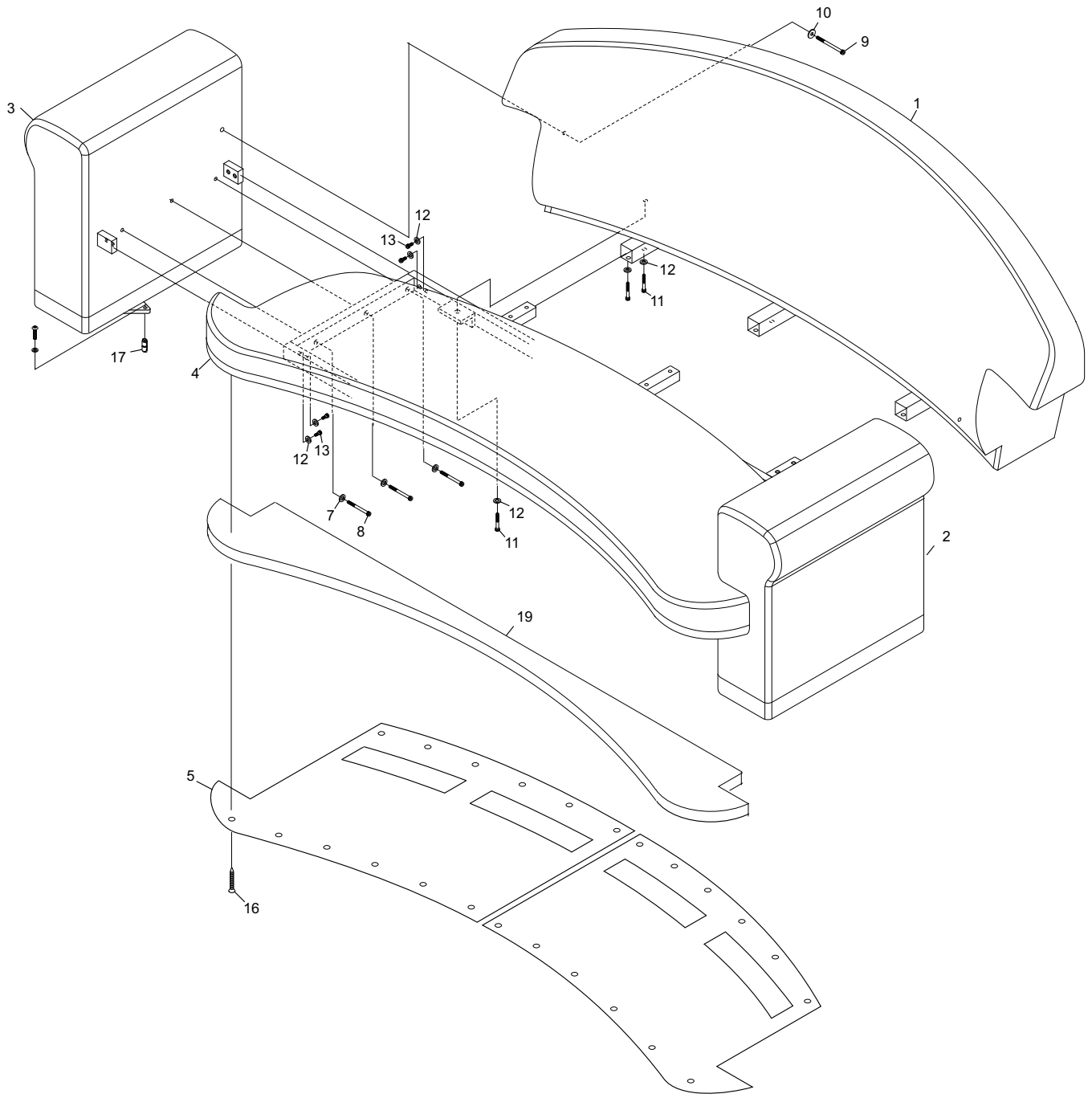
R.O. = Replacement Option

S.O. = Special Order

* NOTE: Fabric options can be reviewed online at www.brunswickbowling.com or by contacting your Brunswick Representative. When purchasing replacement fabric contact a local upholster to mount fabric to furniture.

** Not Illustrated

Striking Line Sofa



Striking Line Sofa

Index

No.	Part No.	Description
1.	*54-861064-xxx	Table Top
2.	54-861021-002	N.A. Center Leg
3.	54-861020-002	N.A. L.H. Front Leg
4.	54-861019-002	N.A. R.H. Front Leg
	54-861097-000	R.O. Table Leg Pkg.
5.	54-861018-002	N.A. Leg Brace, Short
6.	54-861017-002	N.A. Leg Brace, Long
7.	54-861055-xxx	N.A. Front Board
8.	11-054803-004	N.A. Button Head Cap Screw (M6 x 10 mm)
9.	11-054806-004	N.A. Button Head Cap Screw (M6 x 25 mm)
10.	11-054807-004	N.A. Button Head Cap Screw (M6 x 40 mm)
11.	11-055526-004	Acorn Nut (M6 x 1.75 mm)
12.	11-051706-001	Hex Nut (M12 x 1.75 mm)
13.	54-861072-000	Glides
14.	11-006354-009	Button Head Socket Cap Screw (3/8-16 x 1-1/4")
15.	11-191014-009	Flat Washer (3/8)
16.	11-111560-000	Concrete Anchor (3/8-16 x 1-9/16")
17.	**54-861097-000	Sofa Table Legs Pkg. (includes index Nos. 2, 3, 4 and 14)
18.	**54-861016-000	Floor Mounting Hardware Pkg.
19.	**54-861102-000	Hardware Pkg. (includes index Nos. 8, 9, 10 and 11)

N.A. = No Longer Available
 R.O. = Replacement Option

NOTE: Last three digits in part number (suffix) designated color.

* Color Chart

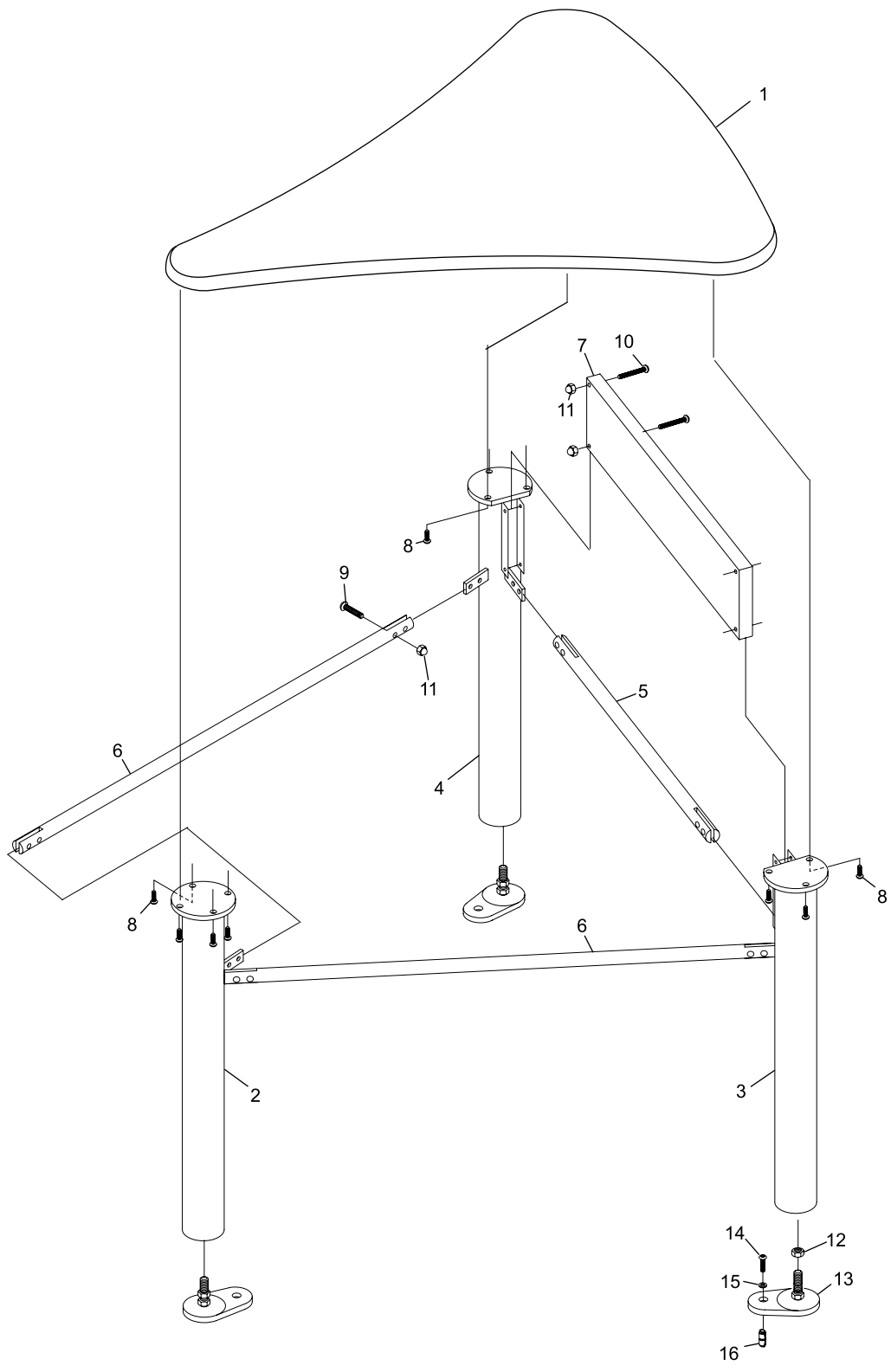
Part No.	Primary Color	Molding Color	Laminate
Suffix	Color	Color	
1997 Frameworx Color Series			
-220	Blueberry	Banana	Light & Glow
-221	Kiwi	Blueberry	Light & Glow
-222	Cranberry	Banana	Light & Glow
-223	Grape	Kiwi	Light & Glow
-224	Banana	Grape	Dark & Glow
-225	Strawberry	Banana	Dark & Glow
-226	Cranberry	Banana	Dark & Glow
-227	Banana	Grape	Light & Glow
-228	Strawberry	Banana	Light & Glow
-229	Blueberry	Banana	Dark & Glow
-230	Kiwi	Blueberry	Dark & Glow
-231	Grape	Kiwi	Dark & Glow

Part No.	Primary Color	Molding Color	Laminate
Suffix	Color	Color	
2009 Frameworx Color Series			
-260	Violet	Violet	Glow
-261	Daffodil	Daffodil	Glow
-262	Blaze Orange	Blaze Orange	Glow
-263	Malachite	Malachite	Glow
-264	Slate	Slate	Glow
-265	Jade	Jade	Non-Glow
-266	Navy	Navy	Non-Glow
-267	Eggplant	Eggplant	Non-Glow
-268	Silver	Silver	Non-Glow
-269	Slate Slate	w/Silver Stripe	Non-Glow

Part No.	Primary Color	Molding Color	Laminate
Suffix	Color	Color	
2005 Frameworx Premium Wood Finishes			
-310	Maple	Black	Maple
-311	Rosewood	Black	Rosewood
-312	Black	Black	Black

** Not Illustrated

Striking Line Sofa Table



Striking Line Sofa Table

Index

No.	Part No.	Description
1.	**54-861022-XXX	Table Top
2.	**54-861068-XXX	Foot Pkg. - Qty of 2 (available in -002 maple, -004 Rosewood, and -005 Black Only)
3.	**54-861028-XXX	End Vertical Panel
4.	**54-861024-XXX	Center Vertical Panel (available in -002 maple, -004 Rosewood, and -005 Black Only)
5.	54-200033-000	N.A. Coat Hook
6.	54-861096-000	Ball Rack
7.	54-861069-000	Ball Bumpers (Pkg. of 12)
8.	11-052553-001	N.A. Flat Head C.R. Screw (M8 x 30 mm)
9.	11-054807-004	N.A. Button Head Cap Screw (M6 x 40 mm)
10.	54-200036-000	N.A. Foot Rest Rail
11.	11-054809-004	N.A. Button Head Cap Screw (M8 x 30 mm)
12.	11-053785-004	N.A. Pan Head Machine Screw (M4 x 10 mm)
13.	11-054808-004	N.A. Button Head Cap Screw (M6 x 45 mm)
14.	11-054810-004	N.A. Button Head Cap Screw (M8 x 55 mm)
15.	*84-861103-000	Mod Wall Hardware Pkg. (includes index numbers 8,9,10,11 and 14)
16.	84-861070-000	Coat Hook Replacement Pkg. (includes 16 hooks and 34 screws)
17.	11-055526-004	Acorn Nut (M6)
18.	54-200014-000	N.A. Foot Rest Bracket
19.	11-052812-009	N.A. Set Screw (M8 x 10 mm)
20.	11-054808-004	N.A. Button Head Cap Screw (M6 x 45 mm)

N.A. = No Longer Available

* Not Illustrated

NOTE : Last three digits in part number (suffix) designate color.

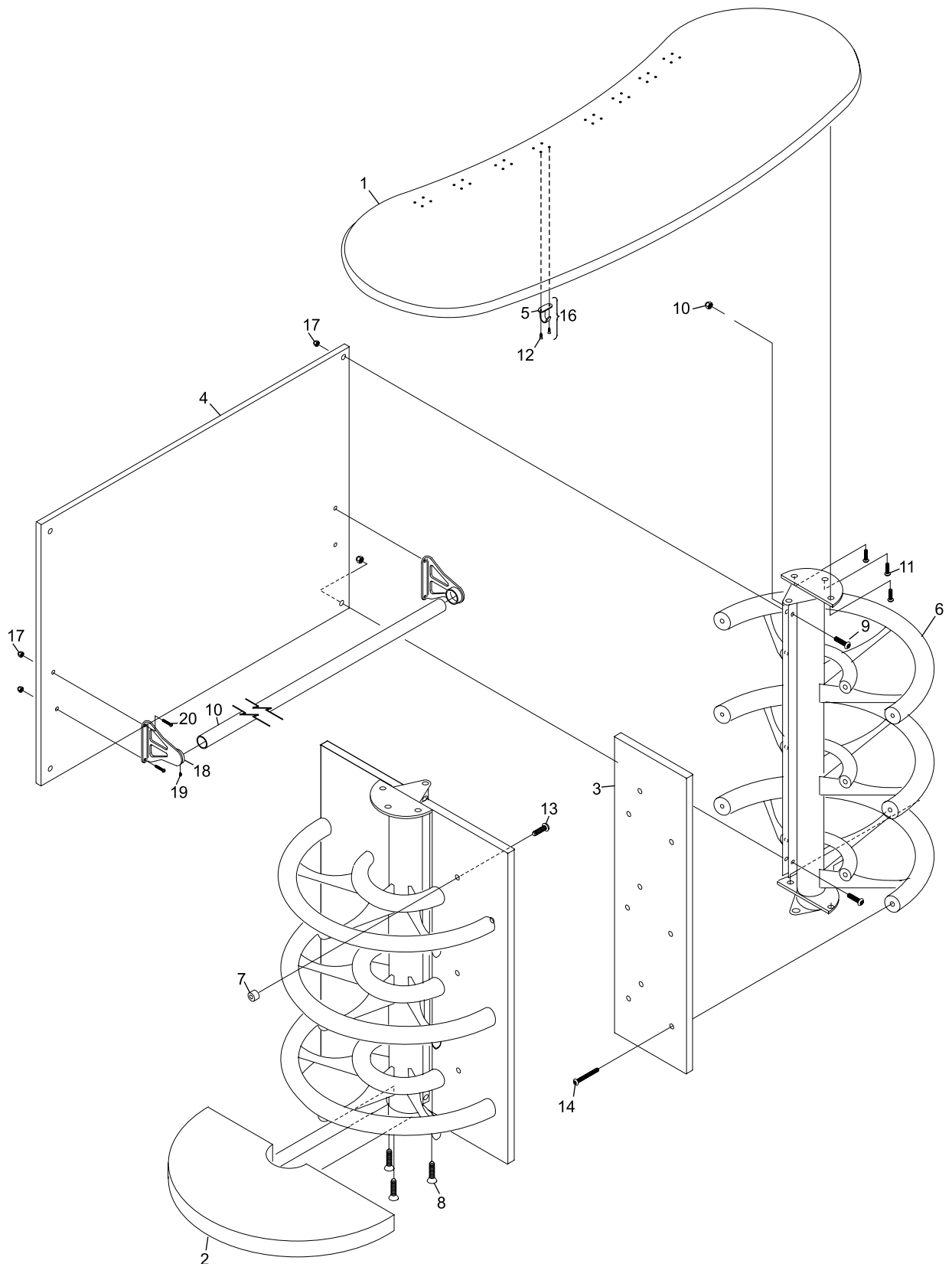
**** Color Chart**

Part No. Suffix	Primary Color	Molding Color	Laminate
1997 Frameworx Color Series			
-220	Blueberry	Banana	Light & Glow
-221	Kiwi	Blueberry	Light & Glow
-222	Cranberry	Banana	Light & Glow
-223	Grape	Kiwi	Light & Glow
-224	Banana	Grape	Dark & Glow
-225	Strawberry	Banana	Dark & Glow
-226	Cranberry	Banana	Dark & Glow
-227	Banana	Grape	Light & Glow
-228	Strawberry	Banana	Light & Glow
-229	Blueberry	Banana	Dark & Glow
-230	Kiwi	Blueberry	Dark & Glow
-231	Grape	Kiwi	Dark & Glow

Part No. Suffix	Primary Color	Molding Color	Laminate
2009 Frameworx Color Series			
-260	Violet	Violet	Glow
-261	Daffodil	Daffodil	Glow
-262	Blaze Orange	Blaze Orange	Glow
-263	Malachite	Malachite	Glow
-264	Slate	Slate	Glow
-265	Jade	Jade	Non-Glow
-266	Navy	Navy	Non-Glow
-267	Eggplant	Eggplant	Non-Glow
-268	Silver	Silver	Non-Glow
-269	Slate Slate	w/Silver Stripe	Non-Glow

Part No. Suffix	Primary Color	Molding Color	Laminate
2005 Frameworx Premium Wood Finishes			
-310	Maple	Black	Maple
-311	Rosewood	Black	Rosewood
-312	Black	Black	Black

Striking Line Modwall



Striking Line Modwall

Index

No.	Part No.		Description
1.	54-400301-002	N.A.	Button Head Cap Screw (3/8-16 x 1")
2.	54-861049-100		Swing/Swivel Modwall Assembly
3.	11-002002-013	N.A.	Hex Head Cap Screw (1/4-20 x 3/4")
4.	11-191010-001		Flat Washer (1/4)
5.	11-006345-000		Button Head Cap Screw (3/8-16 x 1")
6.	**54-861040-xxx	N.A.	Bar Stool - Bucket Only - Florence #510 Style (Pkg. of 2)
	*54-861109-xxx	R.O.	Bar Stool - Bucket Only - Wayland Style (Pkg. of 2)
7.	**54-861042-xxx	N.A.	Bar Stool - Bucket Only - Contessa #810 Style (Pkg. of 2)
	*54-861110-xxx	R.O.	Bar Stool - Bucket Only - Alden Style (Pkg. of 2)
8.	**54-861044-xxx	N.A.	Bar Stool - Bucket Only - Catalina #820 Style (Pkg. of 2)
	*54-861107-xxx	R.O.	Bar Stool - Bucket Only - Montgomery Style (Pkg. of 2)
9.	**54-861046-xxx	N.A.	Bar Stool - Bucket Only - Voltaire 830B Style (Pkg. of 2)
	*54-861106-xxx	R.O.	Bar Stool - Bucket Only - Easton Style (Pkg. of 2)
10.	**54-861048-xxx	N.A.	Bar Stool - Bucket Only - Voltaire 830D Style (Pkg. of 2)
	*54-861108-xxx	R.O.	Bar Stool - Bucket Only - Broderick Style (Pkg. of 2)
11.	11-111560-000		Concrete Anchor (3/8-16 x 1-9/16")
12.	11-191014-001		Flat Washer (3/8)

N.A. = No Longer Available

NOTE : Last three digits in part number (suffix) designate color.

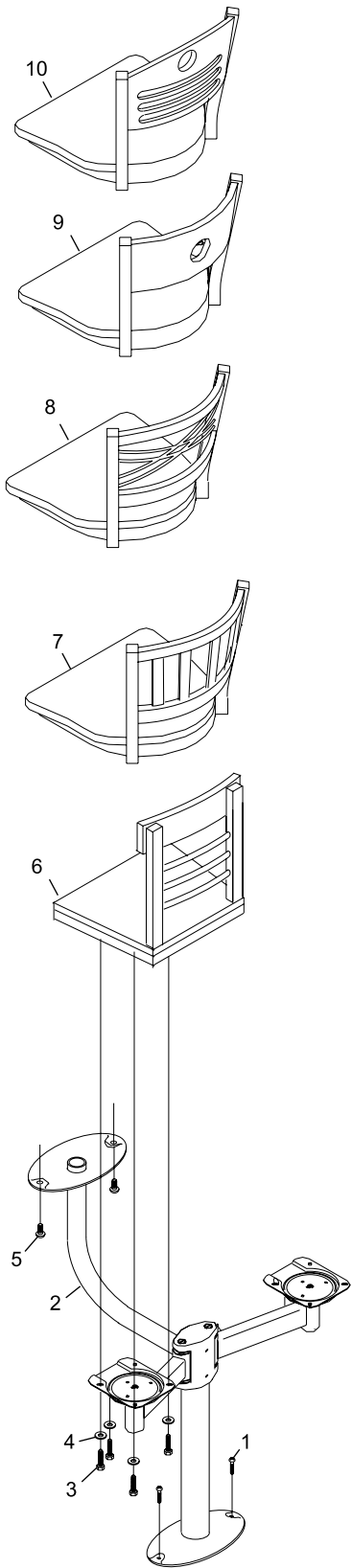
* Color Chart

-001	DARK CHERRY
-002	MAPLE

** When replacing the following seat styles, customers must also order (2) 53-860395-000 45° seat swivel seat styles: Florence, Contesa, Catalina and Voltaire

Striking Line - Wood Seat Only - Replacement			
Bar Stool Bucket Style	Dark Cherry	Natural	Qty. per Pkg.
EASTON	54-860512-001	54-860512-002	2
MONTGOMERY	54-860512-001	54-860512-002	2
BRODERICK	54-860512-001	54-860512-002	2
ALDEN	54-860512-001	54-860512-002	2
WAYLAND	54-860513-001	54-860513-002	2

Striking Line Modwall



Striking Line Modwall

Index

No.	Part No.		Description
1.	54-861012-002		Leg Assembly (Silver)
2.	54-861072-000		Oval Glide
3.	54-861111-000	N.A.	Round Glide w/Hex Nut (Pkg. of 2)
4.	11-051706-001		Hex Nut (M12)
5.	*54-861063-XXX		Table Top
6.	54-200060-000	N.A.	Shelf
7.	11-054801-009	N.A.	Button Head Cap Screw (M8 x 1.25 mm x 20 mm)
8.	11-054812-009	N.A.	Button Head Cap Screw (M8 x 1.25 mm x 25 mm)
9.	11-191014-001		Flat Washer (3/8)
10.	**11-006354-009	N.A.	Button Head Cap Screw (3/8-16 x 1-1/4")
11.	11-111560-000		Concrete Anchor (3/8-16 x 1-9/16")
12.	53-400362-002		Hex Head Cap Screw (3/8-16 x 4-1/2")
13.	**54-861095-000		Narrow Coffee Table Hardware Pkg. (Includes Index Nos. 7 & 8)

N.A. = No Longer Available

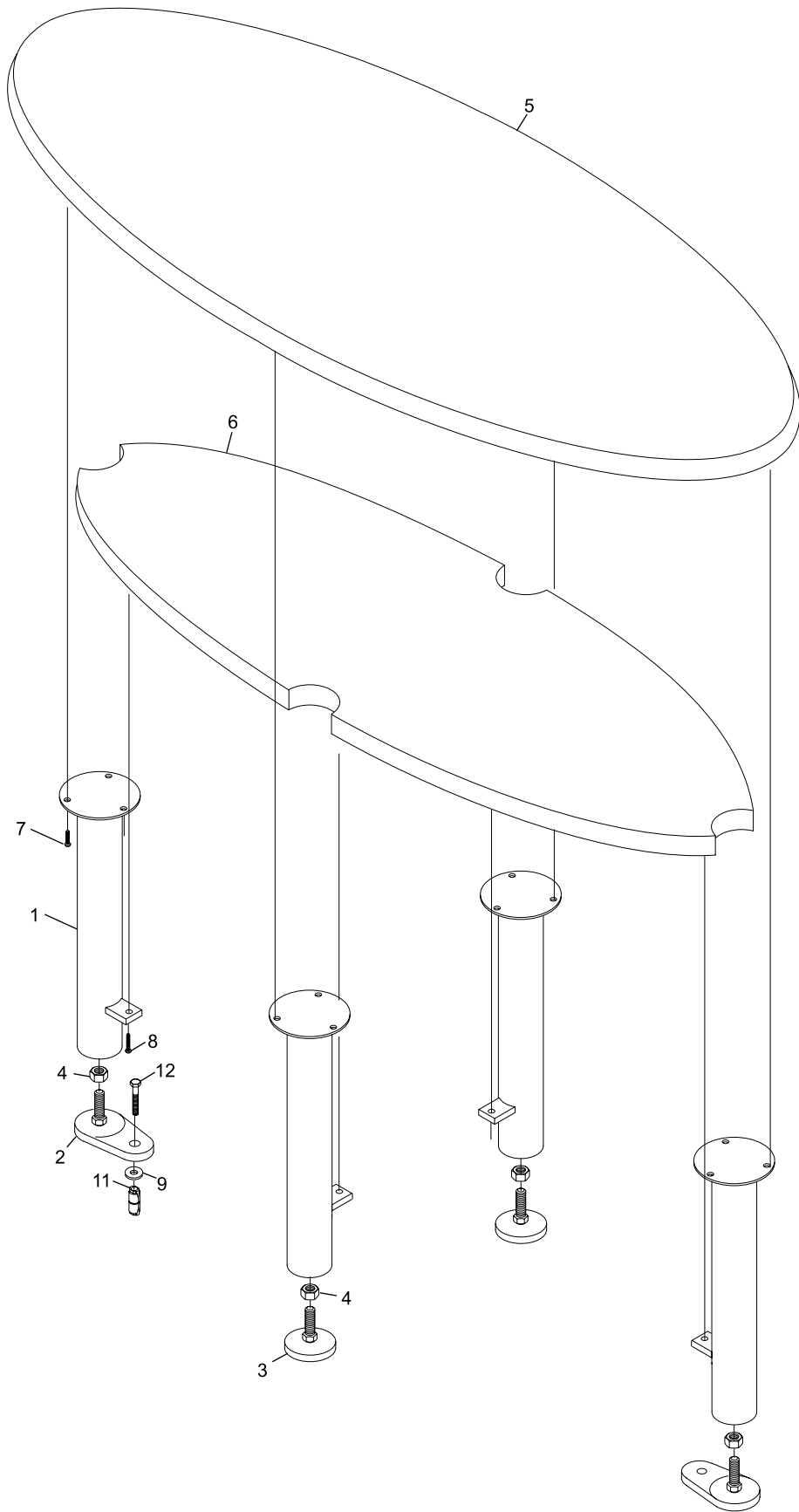
NOTE : Last three digits in part number (suffix) designate color.

* *Color Chart*

-002	MAPLE
-004	ROSEWOOD
-005	BLACK

** *Not Illustrated*

Striking Line Narrow Table



Striking Line Narrow Table

Index

No.	Part No.		Description
1.	**54-861063-XXX		Table Top
2.	**54-861012-XXX		Leg (Qty. 2) - Rosewood
3.	11-052023-001		Flat Washer (M6)
4.	11-053784-001	N.A.	Pan Head C.R. Screw (M6 x 40 mm)
5.	54-861071-000		Round Glide (Qty. 6)
6.	11-111560-000		Concrete Anchor (3/8-16 x 1-9/16")
7.	11-001360-001	N.A.	Hex Head Cap Screw (3/8-16 x 4-1/2")
8.	11-191014-001		Flat Washer (3/8)
9.	*54-861010-000		Floor Mounting Hardware Pkg.
10.	*54-861056-000		Coffee Table Hardware Pkg. (includes index numbers 3,4 & 5)

N.A. = No Longer Available

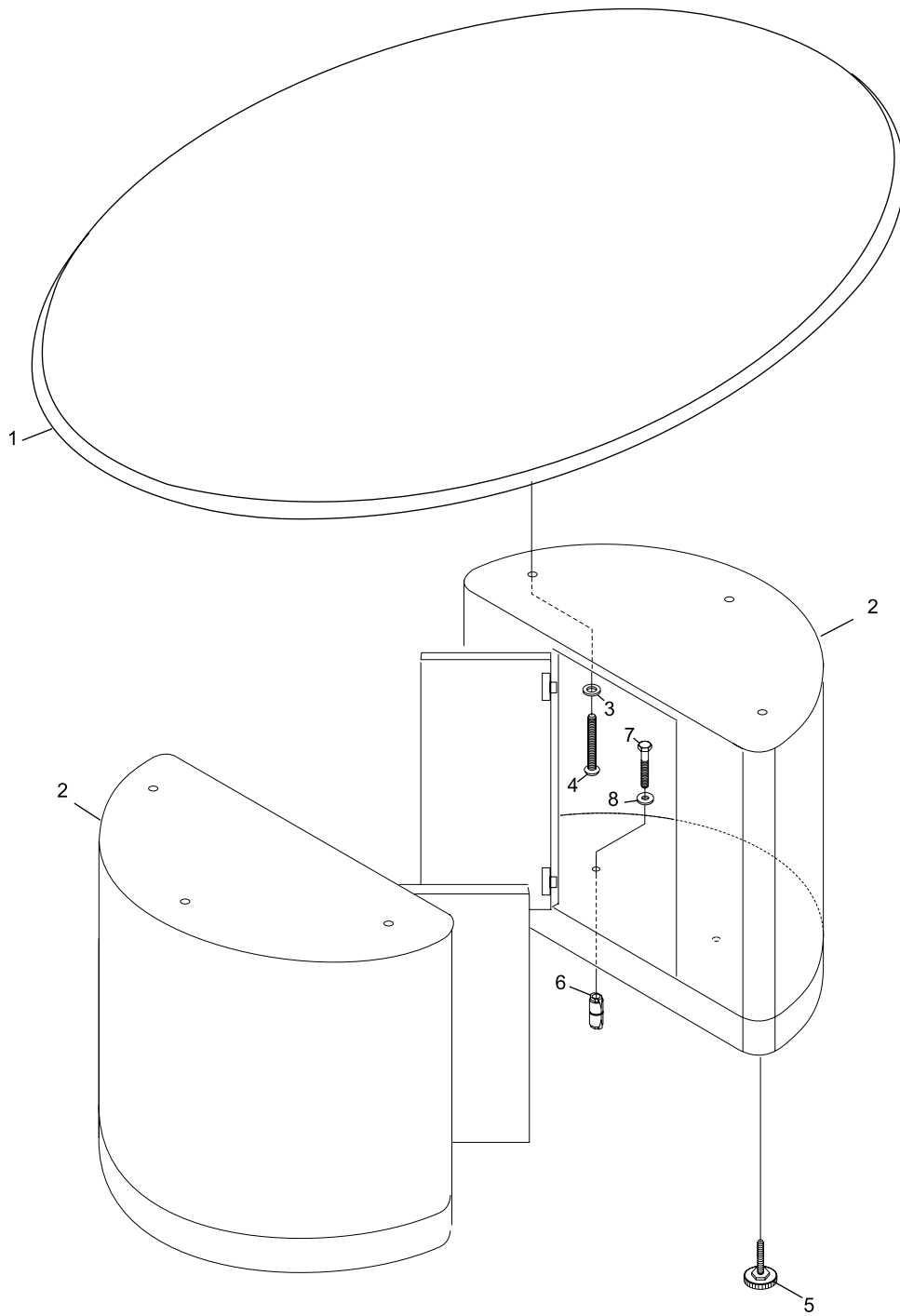
NOTE : Last three digits in part number (suffix) designate color.

* Not Illustrated

**Color Chart

-002	MAPLE
-004	ROSEWOOD
-005	BLACK

Striking Coffee Table



Striking Coffee Table

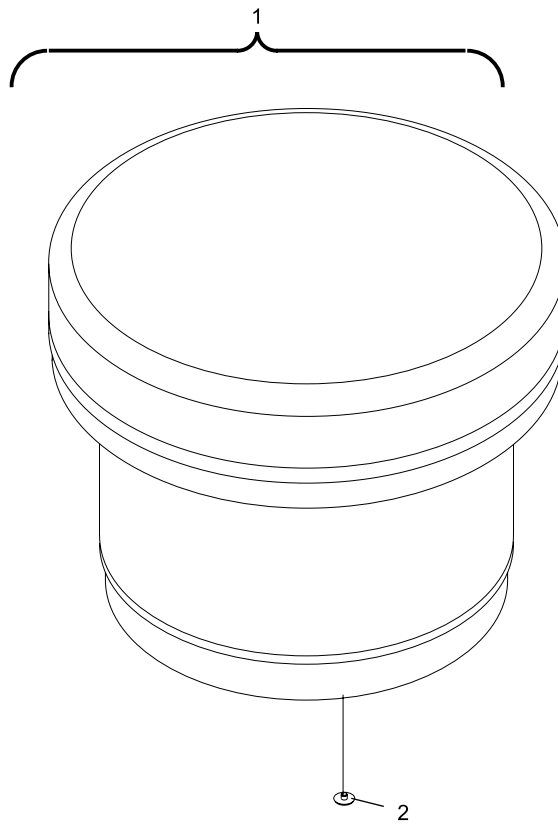
Index

No.	Part No.	Description
1.	*54-861006-000	Ottoman Complete
	*54-861079-000	Pre-Sewn Replacement Cover
2.	54-861091-000	N.A. Ottoman Glide Upgrade Package (contains 40 Glides and Instructions)

N.A. = No Longer Available

* NOTE: Fabric options can be reviewed online at www.brunswickbowling.com or by contacting your Brunswick Representative. When purchasing replacement fabric contact a local upholster to mount fabric to furniture.

Striking Line Miscellaneous



Striking Line Miscellaneous

Index

No.	Part No.		Description
1.	*54-861030-xxx	N.A.	Wood Bar Stool - Florence #510 Style
	54-861083-xxx	R.O.	Wood Bar Stool - Wayland Style
2.	*54-861032-xxx	N.A.	Wood Bar Stool - Contessa #810 Style
	54-861084-xxx	R.O.	Wood Bar Stool - Alden Style
3.	*54-861034-xxx	N.A.	Wood Bar Stool - Catalina #820 Style
	54-861082-xxx	R.O.	Wood Bar Stool - Montgomery Style
4.	*54-861036-xxx	N.A.	Wood Bar Stool - Voltaire 830B Style
	54-861086-xxx	R.O.	Wood Bar Stool - Easton Style
5.	*54-861038-xxx	N.A.	Wood Bar Stool - Voltaire 830D Style
	54-861105-xxx	R.O.	Wood Bar Stool - Broderick Style
6.	54-861080-000		Chair Glide Pkg. (Qty. 4)

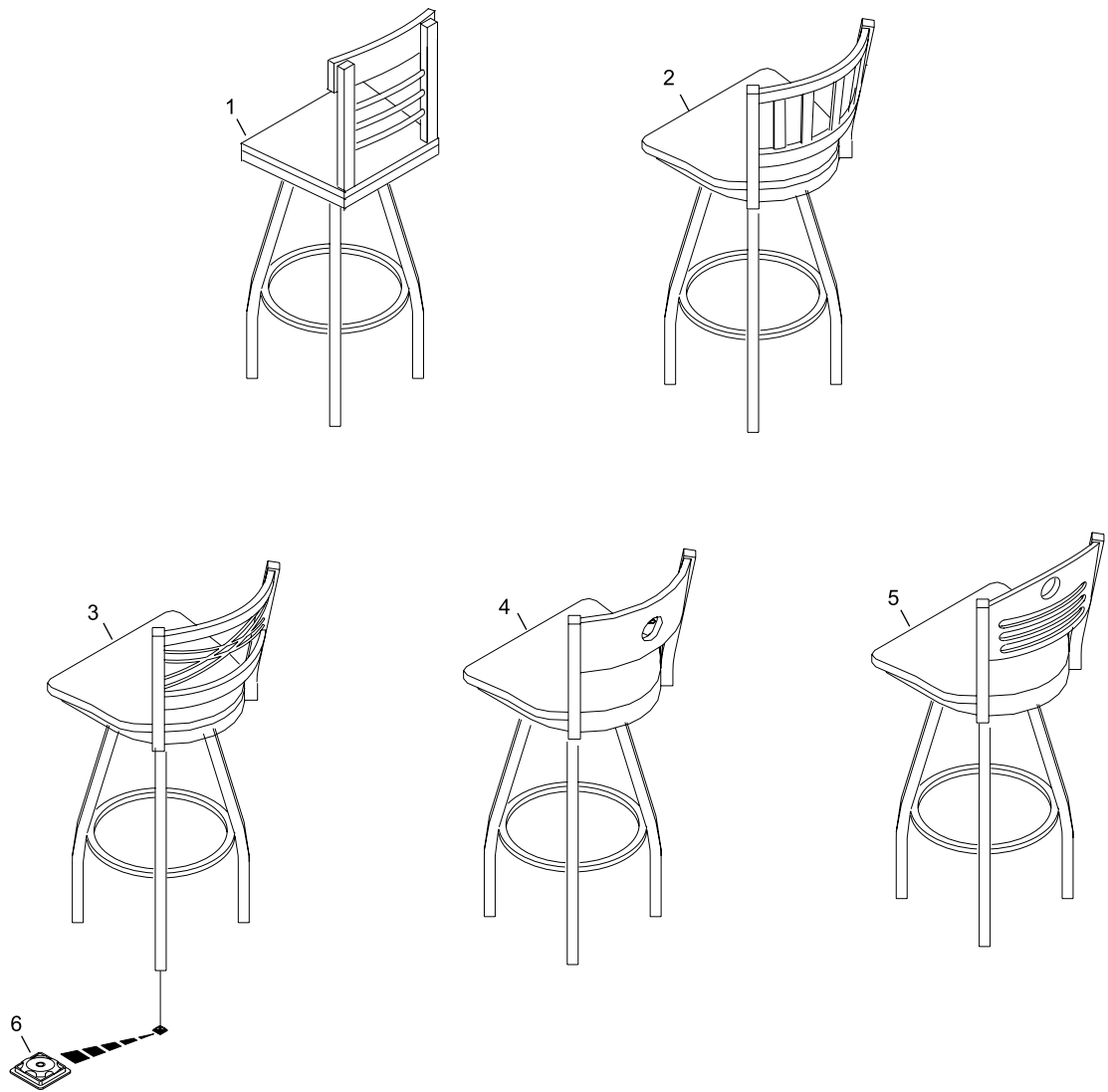
* Color Chart

-001	DARK CHERRY
-002	NATURAL

*When replacing the following seat styles, customers must also order (2)
53-860395-000 45° seat swivel seat styles: Florence, Contesa, Catalina and
Voltaire

Striking Line - Wood Seat Only - Replacement			
Bar Stool Bucket Style	Dark Cherry	Natural	Qty. per Pkg.
EASTON	54-860512-001	54-860512-002	2
MONTGOMERY	54-860512-001	54-860512-002	2
BRODICK	54-860512-001	54-860512-002	2
ALDEN	54-860512-001	54-860512-002	2
WAYLAND	54-860513-001	54-860513-002	2

Striking Line Wood Stools



Striking Line Wood Stools