

Section G

**TEL-E-FOUL**

**Index**

<b>No.</b>	<b>Part No.</b>		<b>Description</b>
1.	53-860155-001	N.A.	Cover w/Lens ("2000" Brown)
2.	53-400241-000	N.A.	Cover Only (Dark Gray)
	53-860995-012	N.A.	Covers - Pkg. of 2 (Dark Gray)
3.	*53-600077-000		Lens (Red)
4.	53-600076-000		Lens Retainer (Black)
5.	11-095008-000		Taplok Insert (1/4-20)
6.	**53-600077-002	N.A.	Lens - White Matte Face
7.	11-178531-000	N.A.	Tee Nut (1/4-20)
8.	53-861068-000	N.A.	Tel-E-Foul - Complete (115/230 Volt 50/60 Hz)
	53-861076-000	R.O.	Tel-E-Foul
	N.A.		Tel-E-Foul - Complete (230 Volt 50/60 Hz)
	N.A.		Tel-E-Foul - Infrared - under ball return cover only
9.	11-070505-001		Hex Hd. Lag Screw (#10 x 2")
10.	11-042123-001	N.A.	Sltd. Rd. Hd. Wood Screw (#12 x 3/4")
11.	53-600102-000	N.A.	Mounting Plate
12.	11-040157-001	N.A.	C.R. Flat Hd. Wood Screw (#14 x 1-1/2")
13.	11-042061-001	N.A.	Sltd. Rd. Hd. Wood Screw (#8 x 1/2")
14.	53-600087-000	N.A.	Lamp Clip
15.	N.A.		Cover w/Lens (Astroline Off-White)
	N.A.		Cover w/Lens ("2000" Ermine White)
16.	N.A.		Cover Only ("2000" Ermine White)
17.	11-024524-001	N.A.	C.R. T. Hd. Machine Screw w/Nylok (6-32 x 5/16")
18.	53-600093-000	N.A.	Shorting Plug Assembly
19.	11-680201-000		Receptacle (3 Contacts)
20.	N.A.		Wire w/Pin - White/Gray (2-3/4")
21.	11-680301-000	N.A.	Terminal
	57-860031-000	R.O.	Terminal - Female (Pkg. of 20)
22.	11-026300-004		C.R. Oval Hd. Machine Screw (1/4-20 x 3-1/2")
23.	11-190008-001		Flat Washer (#12)
24.	53-600088-000	N.A.	Mounting Plate Assembly
25.	53-600163-000	N.A.	Cover Only ("2000" Ermine White)
	53-860996-012	N.A.	Cover Only (Lt. Gray)
	84-860551-000	N.A.	Cover Only - Framework Plastic
	84-860602-000	R.O.	Division Tel-E-Foul Cover Pkg.
26.	53-600100-000	N.A.	Reflector and Bracket Assy.
		R.O.	order index no. 39
27.	53-600099-000	N.A.	Bracket Only
		R.O.	order index no. 39
28.	11-042524-001	N.A.	C.R. Rd. Hd. Wood Screw (#6 x 3/4")
29.	53-600101-000		Reflector Only
30.	53-600074-000	N.A.	Reflector and Bracket Assy.
		R.O.	order index no. 39
31.	53-600073-000	N.A.	Bracket Only
		R.O.	order index no. 39
32.	11-024168-002	N.A.	C.R. T. Hd. Machine Screw (10-24 x 5/8")
33.	N.A.		Twin Pilot Nut (10-24)
34.	N.A.		L.H. Return Cover (Astroline Gray)
	N.A.		L.H. Return Cover ("2000" Brown)
35.	N.A.		R.H. Return Cover (Astroline Gray)
	N.A.		R.H. Return Cover ("2000" Brown)
36.	11-042125-000	N.A.	Sltd. Rd. Hd. Wood Screw (#12 x 1")
37.	***57-860215-000	N.A.	Standard Tel-E-Foul PCB
38.	***57-861011-001	N.A.	Infrared Tel-E-Foul PCB
	***57-861011-002	N.A.	Infrared Sensor Only
39.	***53-860299-000		Reflector and Bracket Package - Contains: (2) 53-860299-001, (2) 53-600101-000, (2) 53 860299-003, (4) 53-860299-004, (4) 53-860299-005

N.A. = No Longer Available

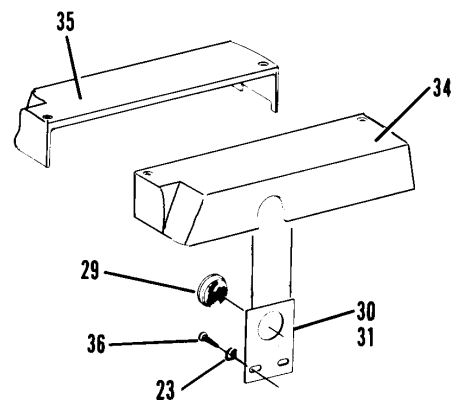
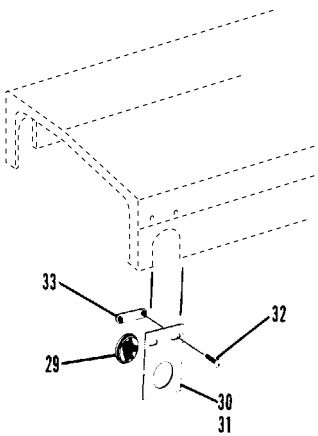
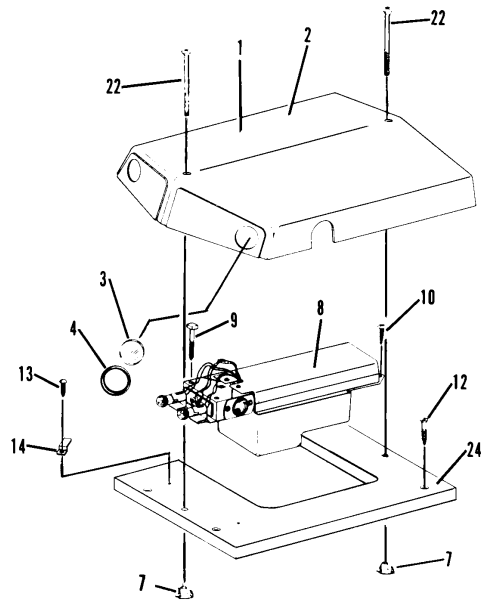
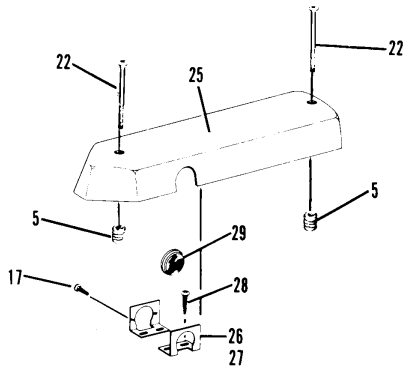
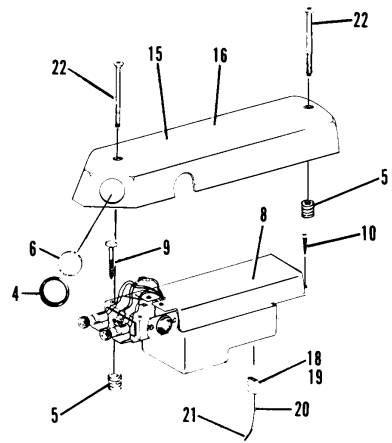
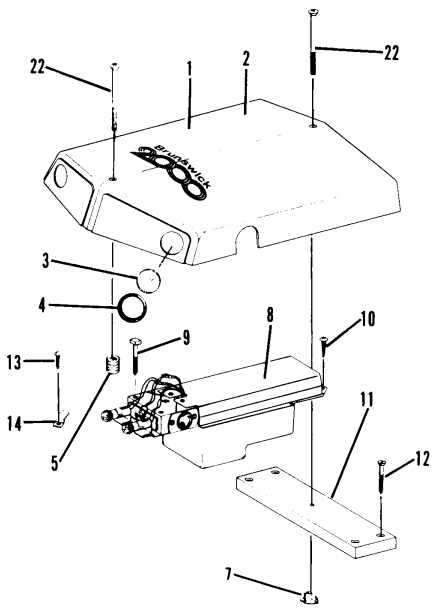
R.O. = Replacement Option

\* For Subway Return Systems

\*\* For Surface or Concealed Surface Return Systems

\*\*\* Not Illustrated

## Tele-E-Foul Cover & Reflector Assembly



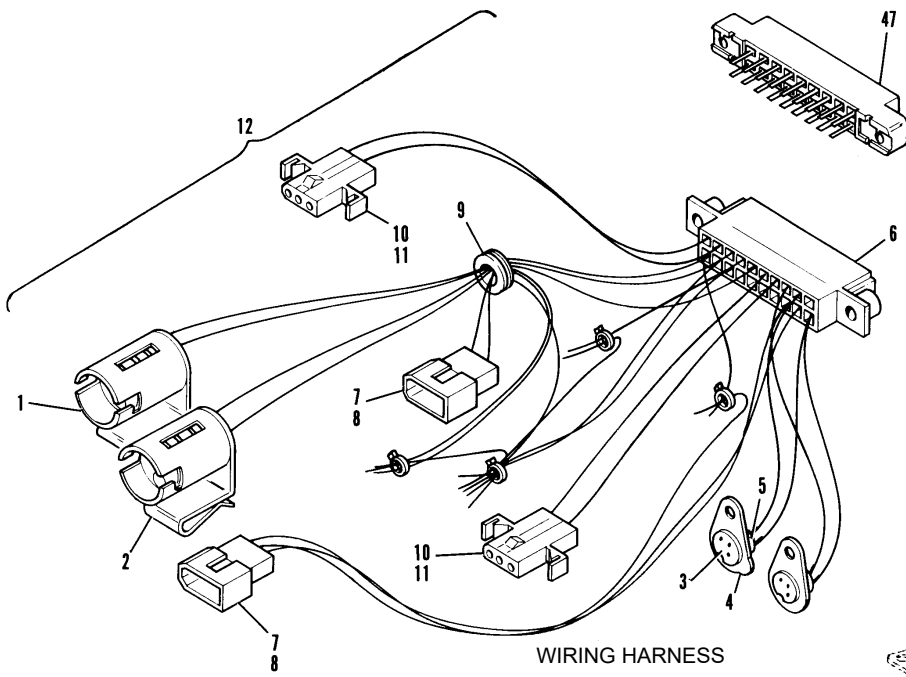
**Tele-E-Foul Cover & Reflector Assembly**

**Index**

<b>No.</b>	<b>Part No.</b>		<b>Description</b>
1.	53-600040-002		L.H. Socket Assembly
2.	53-600040-003		R.H. Socket Assembly
3.	53-600060-000		Photocell Mount
4.	53-600067-000		Photocell Bracket
5.	53-600059-000		Photocell
6.	11-696805-000	N.A.	Connector
7.	11-680101-000		Connector Plug (3 Contacts)
8.	11-680307-000		Terminal
9.	11-651019-000	N.A.	Grommet
10.	11-680301-000	N.A.	Terminal
	57-860031-000	R.O.	Terminal - Female (Pkg. of 20)
11.	11-680203-000		Connector Housing (3 Contacts)
12.	*53-600141-000	N.A.	Tel-E-Foul Harness - Complete
13.	53-600149-000		Wire Harness Assembly (45")
	N.A.		Wire Harness Assembly (105")
14.	11-678904-000		Connector Plug (90°)
15.	32-201654-000		Adapter
16.	11-605128-000		Cable Clamp
17.	11-602104-000	N.A.	Cord Grip
18.	11-403501-000		Anti-Short Bushing
19.	11-686001-000	N.A.	Outlet Box
20.	N.A.		Outlet Box Cover
21.	N.A.		Adapter Box Assembly - Complete
22.	N.A.		PCB Assembly
23.	N.A.		Cover
24.	N.A.		Box
25.	N.A.		Harness Assembly - Complete
26.	11-013056-001	N.A.	Sltd. Pan Hd. Machine Screw (8-32 x 1/4")
27.	11-190004-001		Flat Washer (#8)
28.	N.A.		Self Tapping Hex Hd. Washer Screw (#8 x 3/8")
29.	11-603109-000		Cable Tie (7-1/2")
30.	11-176006-001		Keps Nut (10-24)
31.	11-013078-001	N.A.	Sltd. Pan Hd. Machine Screw (10-24 x 1/2")
32.	N.A.		Standoff
33.	53-600128-000	N.A.	Transformer
34.	N.A.		Resistor
35.	N.A.		Relay
36.	11-693004-000	N.A.	Diode
37.	11-696109-000	N.A.	Capacitor
38.	N.A.		Cable Assembly w/o Connectors
39.	11-680303-000	N.A.	Terminal
40.	11-680251-000	N.A.	Edge Connector (12 Contacts)
41.	11-603108-000	N.A.	Cable Tie (3-5/8")
42.	N.A.		R.H. Adapter Cable - White (80')
43.	N.A.		L.H. Adapter Cable - Black (80')
44.	11-680103-000	N.A.	Connector Plug (3 Contacts)
45.	N.A.		Self Tapping Hex Hd. Washer Screw (#8 x 1")
46.	N.A.		Tap Splice
47.	53-600058-000	N.A.	Connector (for units so equipped)

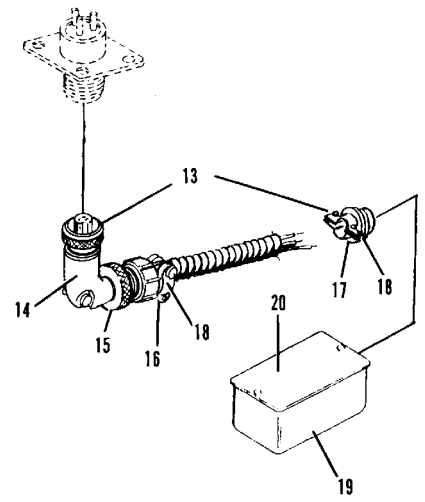
*N.A. = No Longer Available*

**Tel-E-Foul Harness & AMF Adapter Box**

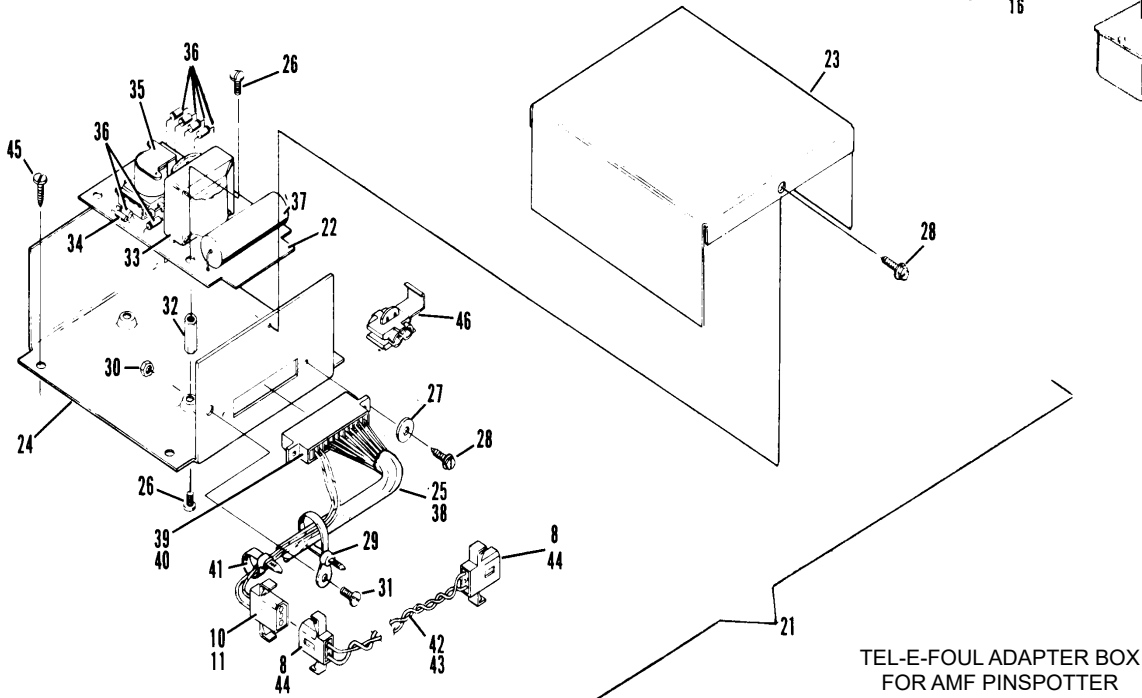


FOR UNTIS SO  
EQUIPTED

WIRING HARNESS



TEL-E-FOUL HARNESS ASSEMBLY



TEL-E-FOUL ADAPTER BOX  
FOR AMF PINSPOTTER

**Tel-E-Foul Harness & AMF Adapter Box**

Index			Index		
No.	Part No.	Description	No.	Part No.	Description
1.	N.A.	Lamp (10W 115V)	37.	11-190004-001	Flat Washer (#8)
2.	N.A.	Lamp Socket Assembly	38.	N.A.	C.R. Rd. Hd. Machine Screw (8-32 x 1/4")
3.	N.A.	Bracket (Photocell)			Lamp (Special 6 Volt)
4.	N.A.	Photocell	39.	15-609567-000	Divider
5.	15-614058-000	N.A. Self Tapping C.R. B. Hd. Screw (#6 x 5/16")	40.	N.A.	Self Tapping Sltd. B. Hd. Screw (#8 x 3/8")
6.	11-696159-000	N.A. Capacitor	41.	N.A.	Adjusting Plate
7.	N.A.	Transformer	42.	N.A.	Fill Block
8.	N.A.	Buzzer	43.	N.A.	Flat Hd. Wood Screw (#10 x 1-3/4")
9.	N.A.	Timing Unit - Complete	44.	N.A.	Fuse Cap
10.	11-609502-000	N.A. Wire Connector	45.	N.A.	Lamp/Socket/Connector Assembly
11.	11-018003-001	Rd. Hd. Machine Screw (4-40 x 5/16")	46.	N.A.	Internal Tooth Lock-washer (#4)
12.	N.A.	Socket	47.	11-199000-001	Plastic Knob
13.	N.A.	Light Source Lead Assy. (84")	48.	32-014500-000	N.A. Hex Nut (4-40)
14.	N.A.	Cable Assembly w/o Connectors (45")	49.	11-125000-001	Circuit Board Assembly (Index Nos. 55 thru 60)
15.	11-685127-000	Fuse Holder	50.	N.A.	Timing Cam - thru Serial #6941 (Ten Pin)
16.	N.A.	Fuse (1 Amp)			Timing Cam - Serial #6942 and Up (Ten Pin)
17.	11-605128-000	Cable Clamp	51.	N.A.	Note: Assemble with Latch 53-600018-000
18.	11-678904-000	Connector Plug (90°)			Timing Cam (Duck and Candle)
19.	N.A.	Capacitor			Latch Assembly - thru Serial #6941
20.	N.A.	Potentiometer			Latch Assembly - Serial #6942 and Up
21.	11-678903-000	Receptacle (3 Contacts)	52.	N.A.	Adaptor
22.	11-693001-000	N.A. Silicon Diode			Plug
23.	N.A.	Control Unit Cover			Insulating Sleeve (Plastic Cover of Index No. 50)
24.	15-609641-000	N.A. Resistor			Diode
25.	N.A.	Ambient Light Grid Assy.	53.	32-201654-000	N.A. Resistor
26.	N.A.	Connector (Male)	54.	N.A.	N.A. Capacitor
27.	N.A.	Connector (Female)			N.A. Relay
28.	N.A.	Solenoid			Circuit Board Only
29.	N.A.	Base Mounting Plate	55.	*N.A.	
30.	N.A.	Angle Bracket			
31.	11-190006-001	Flat Washer (#10)	56.	11-693008-000	N.A.
32.	11-013076-001	N.A. Sltd. Rd. Hd. Machine Screw (10-24 x 3/8")	57.	11-691125-000	N.A.
33.	32-200314-000	N.A. Lens and Case Assembly	58.	11-696309-000	N.A.
34.	32-200317-000	N.A. Special Hex Nut (1-20)	59.	17-860325-000	N.A.
35.	32-201558-000	N.A. Lamp Socket Assy. w/ Wires	60.	N.A.	
36.	N.A.	Lockwasher (#8)			

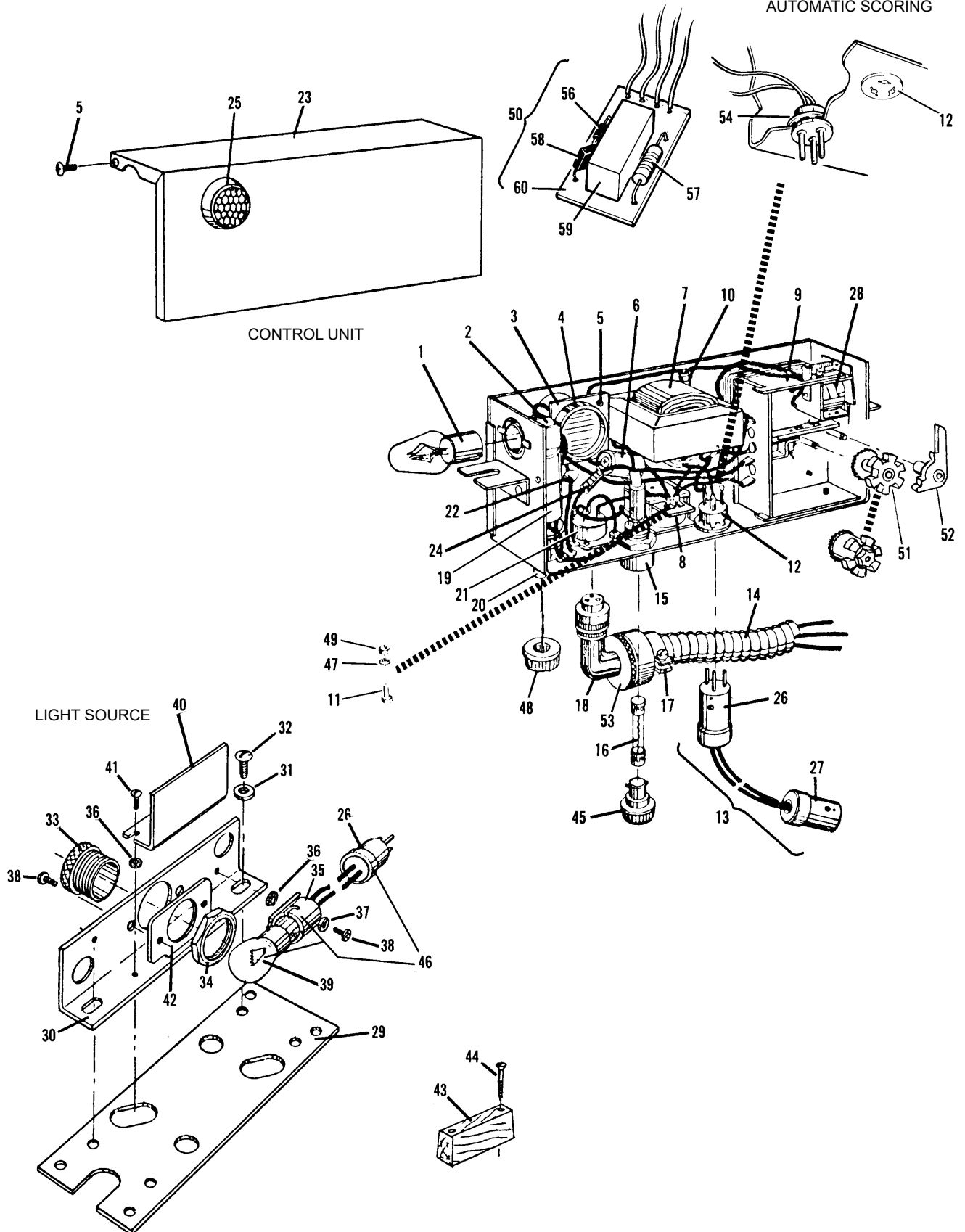
N.A. = No Longer Available

\* Not Illustrated

NOTE: The Tel-E-Foul "Exchange Unit" is no longer available for sale. You can, however, have your inoperative unit repaired by Brunswick on a "time plus material" cost basis. For information regarding this program, please contact the regional office for your area. Your unit must be shipped freight prepaid to that office.

## Tel-E-Foul Control Unit & Light Source

FOR USE WITH  
AUTOMATIC SCORING



**Tel-E-Foul Control Unit & Light Source**

Index No.	Part No.	Description
1.	N.A.	Top Cover
2.	11-651019-000	N.A. Grommet
3.	11-012270-001	C.R. Pan Hd. Machine Screw (6-32 x 1/4")
4.	11-195006-001	Lockwasher (#6)
5.	53-600063-000	N.A. Mirror
6.	53-600062-000	Mirror Seal
7.	*N.A.	Masking Tape (1")
8.	N.A.	Housing Block
9.	53-600037-000	N.A. Adjusting Seal
10.	53-600033-000	N.A. Cover Plate
11.	11-675514-002	Lamp 12 Volt (#1876)
12.	53-600105-000	N.A. Compression Spring
13.	53-600096-000	Socket Assembly w/o Wires
14.	11-012277-001	C.R. Pan Hd. Machine Screw (6-32 x 3/4")
15.	11-675513-002	Lamp (#90 Clear)
16.	53-600040-002	L.H. Socket Assy. w/Wires
17.	53-600040-003	R.H. Socket Assy. w/Wires
18.	53-600029-000	N.A. Chassis Assembly
19.	53-600047-000	N.A. Lens Assembly
20.	11-190002-001	Flat Washer (#6)
21.	11-012271-001	C.R. Pan Hd. Machine Screw (6-32 x 5/16")
22.	11-107006-000	N.A. Sltd. Rd. Hd. Machine Screw (4-40 x 1/2")
23.	53-600058-000	N.A. Connector (for Units So Equipped)
24.	11-190000-001	Flat Washer (#4)
25.	N.A.	Lockwasher (#4)
26.	11-125000-001	Hex Nut (4-40)
27.	11-125001-001	Hex Nut (6-32)
28.	N.A.	Cover (Use Index #61, 53-600155-002)
29.	11-012281-001	N.A. C.R. Pan Hd. Machine Screw (6-32 x 1-1/4")
30.	53-600055-000	N.A. Transformer (for Units So Equipped)
31.	53-600066-000	Buzzer
32.	11-012253-001	C.R. Pan Hd. Machine Screw (4-40 x 5/16")
33.	11-678903-000	Receptacle (3 Contacts)

N.A. = No Longer Available  
R.O. = Replacement Option

\* Purchase Locally

\*\* Not Illustrated

\*\*\* Used on Tel-E-Foul 53-860806-002 and 53-860806-003

\*\*\*\* Used on Tel-E-Foul 53-600025-000

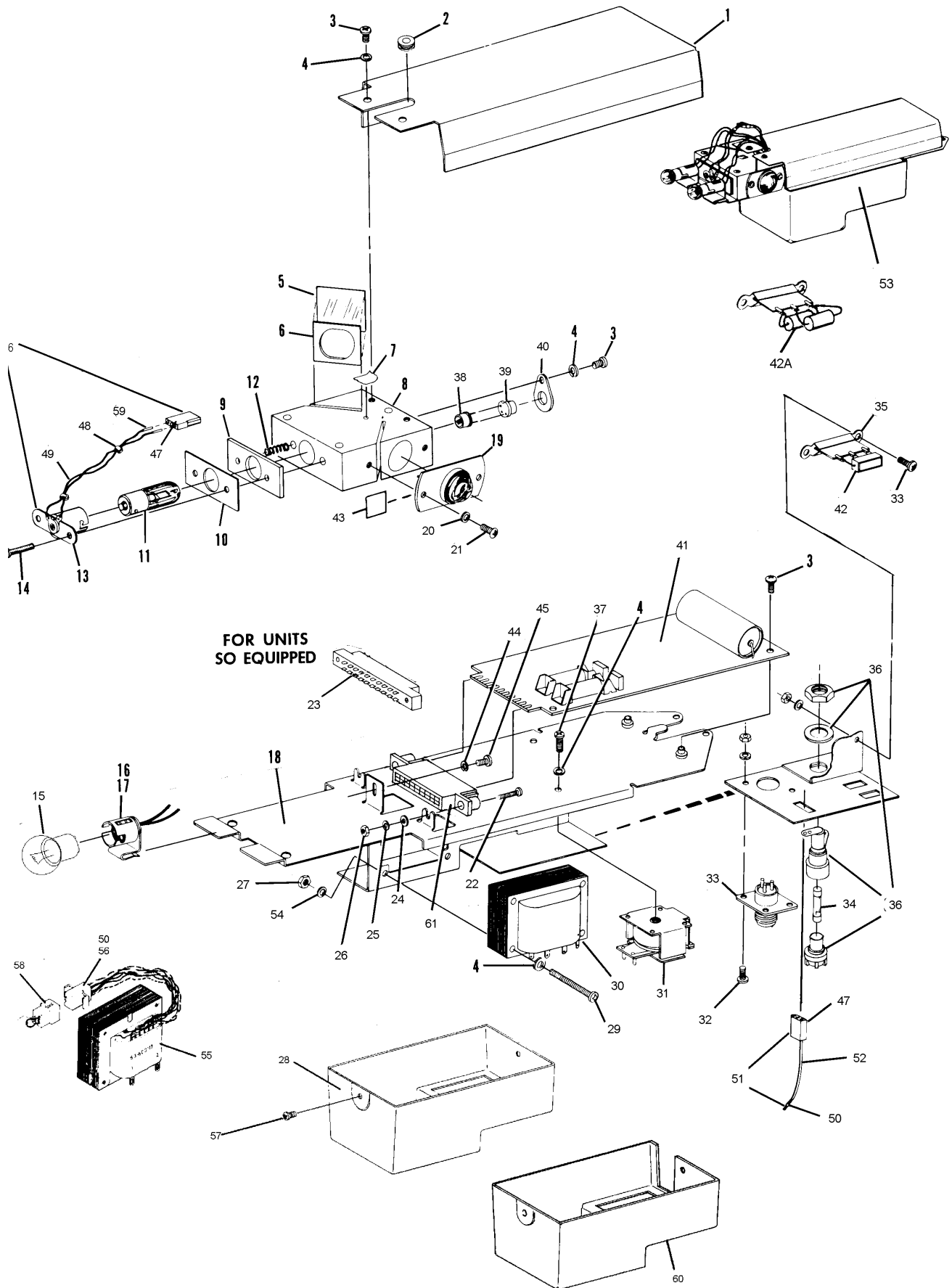
NOTE: Rebuilt circuit board assemblies are available on a direct exchange basis. Your defective circuit board assembly should be packaged along with a copy of the Brunswick Order Form (900.6) to identify your center and shipped to:

Brunswick Corporation  
Electronic Repair Center  
525 West Laketon Avenue  
Muskegon, MI 49443

## "2000" Tel-E-Foul Control Unit

Index No.	Part No.	Description
34.	***11-685012-000	N.A. Fuse (AGC-1/2)
	57-860045-000	R.O. Fuse (Pkg. of 5)
	****11-685014-000	N.A. Fuse (AGC-1/4)
	****11-685015-000	N.A. Fuse (AGC-3/8)
	****N.A.	Fuse (AGC-3/16)
35.	11-619003-000	Terminal Strip
36.	53-600056-000	Fuseholder Assembly
37.	11-012272-001	C.R. Pan Hd. Machine Screw (6-32 x 3/8")
38.	53-600059-000	Photocell
39.	53-600060-000	Photocell Mount
40.	53-600067-000	Photocell Bracket
41.	53-860215-000	N.A. Circuit Board - Complete
42.	11-692503-000	N.A. Wire Bound Resistor
42A.	N.A.	Resistor
43.	53-600094-000	N.A. Lens Mask
44.	11-195008-001	Lockwasher (#8)
45.	11-012307-001	N.A. C.R. Pan Hd. Machine Screw (8-32 x 5/16")
	11-012057-001	R.O. Screw (8-32 x 5/16")
46.	53-600097-000	N.A. Socket and Connector Assy.
47.	11-680201-000	Connector Housing (3 Contacts)
48.	11-603108-000	N.A. Cable Tie
49.	N.A.	Wire w/Pin - White/Gray (6")
	N.A.	Wire w/Pin - White/Blue (6")
50.	11-680301-000	N.A. Terminal Pin
	57-860031-000	R.O. Terminal - Female (Pkg. of 20)
51.	53-600093-000	N.A. Shorting Plug Assembly
52.	N.A.	Wire w/Pin - White/Gray (2-3/4")
53.	N.A.	Tel-E-Foul - Complete (115V 50/60 Hz)
	53-860806-003	N.A. Tel-E-Foul - Complete (230Vt 50/60 Hz)
	N.A.	Tel-E-Foul - Complete (115V 50/60 Hz Canada Only)
54.	11-198001-001	External Tooth Lockwasher (#6)
55.	53-600117-000	Transformer Assembly
56.	11-680207-000	Connector Housing (6 Contacts)
57.	11-017521-001	N.A. Sems Sltd. Rd. Hd. Screw (6-32 x 5/16")
58.	53-600119-002	N.A. Plug Assembly (100V)
	53-600119-003	N.A. Plug Assembly (115V)
	53-600119-004	N.A. Plug Assembly (200V)
	53-600119-005	N.A. Plug Assembly (230V)
59.	11-680306-000	Terminal
60.	53-600155-002	N.A. Cover
61.	11-696805-000	N.A. Connector





**"2000" Tel-E-Foul Control Unit**

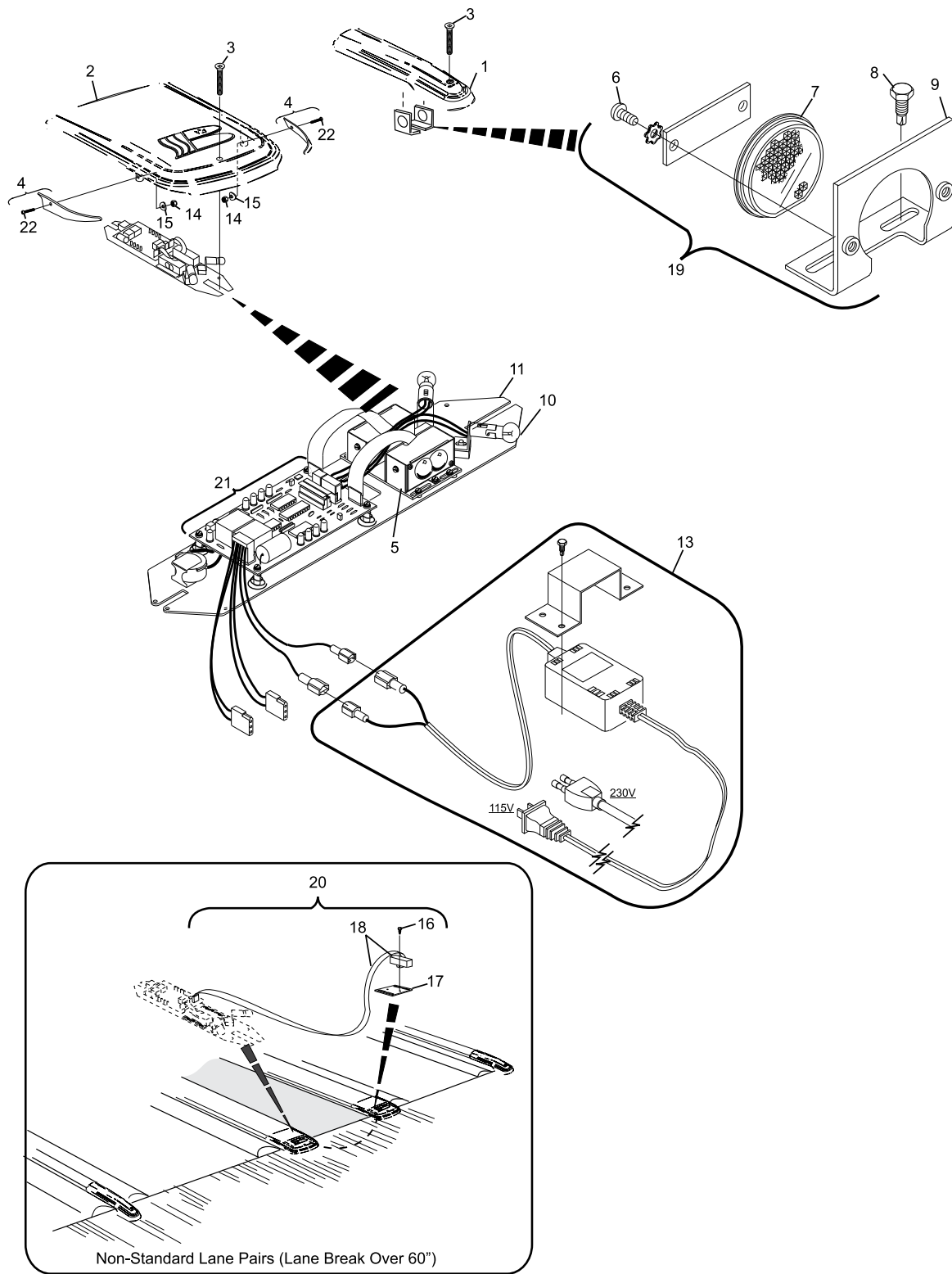
**Index**

<b>No.</b>	<b>Part No.</b>		<b>Description</b>
1.	84-860551-000	N.A.	Division Tel-E-Foul Cover Pkg.
	84-860602-000	R.O.	Frameworkx Tel-E-Foul Cover w/Hardware Pkg.- (light grey non-GID)
	84-860602-205	R.O.	Frameworkx Tel-E-Foul Cover w/Hardware Pkg.- (black non-GID)
2.	84-860550-000	N.A.	Return Tel-E-Foul Cover w/Hardware Pkg.
	84-860603-000	N.A.	Return Tel-E-Foul Cover w/Hardware Pkg.
	84-860769-000	R.O.	Return Tel-E-Foul Cover w/Hardware Pkg. -(light grey non-GID)
	84-860769-205	R.O.	Return Tel-E-Foul Cover w/Hardware Pkg. -(black non-GID)
3.	11-040165-001	N.A.	Flat Head Robertson Screw (#14-3-1/2")
	11-081202-000	R.O.	Flat Head Robertson Screw (1/4-10 x 3-1/2")
4.	84-200249-000	N.A.	Lens Cover Set (right-hand and left-hand) Pkg.
	84-860769-000	R.O.	Return Cover, Lens and Mounting Hardware Pkg. (includes Lens and item Nos. 22, 23, and 24)
	84-860770-000	R.O.	Lens Cover and Mounting Hardware Pkg.
5.	53-600181-003		Standard Sensor Assembly
6.	N.A.	N.A.	Pan Head Screw (#6-32 x 5/16")
7.	53-600101-000		Reflector
8.	N.A.	N.A.	Drill Point Screw (#8 x 1-1/4")
9.	N.A.	N.A.	Reflector to Division Mounting Bracket
10.	11-675513-002		Lamp - 12V (#9G clear)
11.	53-861068-000	N.A.	Tel-E-Foul Assembly
	53-861076-000	R.O.	Brunswick Tel-E-Foul Assembly Pkg.
12.			
13.	53-860326-230	N.A.	Tele-E-Foul Transformer - 230VAC, 50 Hz
	53-860629-230	R.O.	Tele-E-Foul Transformer - 230VAC, 50 Hz w/ Power Cord
	53-860327-115	N.A.	Tele-E-Foul Transformer - 115VAC, 60 Hz
	53-860628-115	R.O.	Tele-E-Foul Transformer - 115VAC, 60 Hz, w/ Power Cord
	53-860326-100		Tele-E-Foul Transformer - 100VAC, 50 Hz, w/IEC Connector, Bracket and Hardware
14.	11-170000-001		Self Locking Nut (#4-40)
15.	11-195001-000	N.A.	Formed Washer (#4)
16.	N.A.		Drill Point Screw (#6-32 x 1-1/4")
17.	53-600177-002	N.A.	Sensor Mounting Plate
	53-600181-002	R.O.	Sensor Mounting Plate
18.	53-861069-002	N.A.	Remote Sensor Cable Assembly (120")
19.	53-860299-000		Reflector and Bracket Assembly
20.	53-861069-000		Remote Sensor Kit (includes items numbers 16, 17, and 18)
21.	53-600179-001	N.A.	Tel-E-Foul PCB
	53-600181-005	R.O.	Tel-E-Foul PCB
22.	11-006010-000		Button Head Cap Screw (#4-40 x 1")

*N.A. = No Longer Available*

*R.O. = Replacement Option*

## Frameworkx Tel-E-Foul

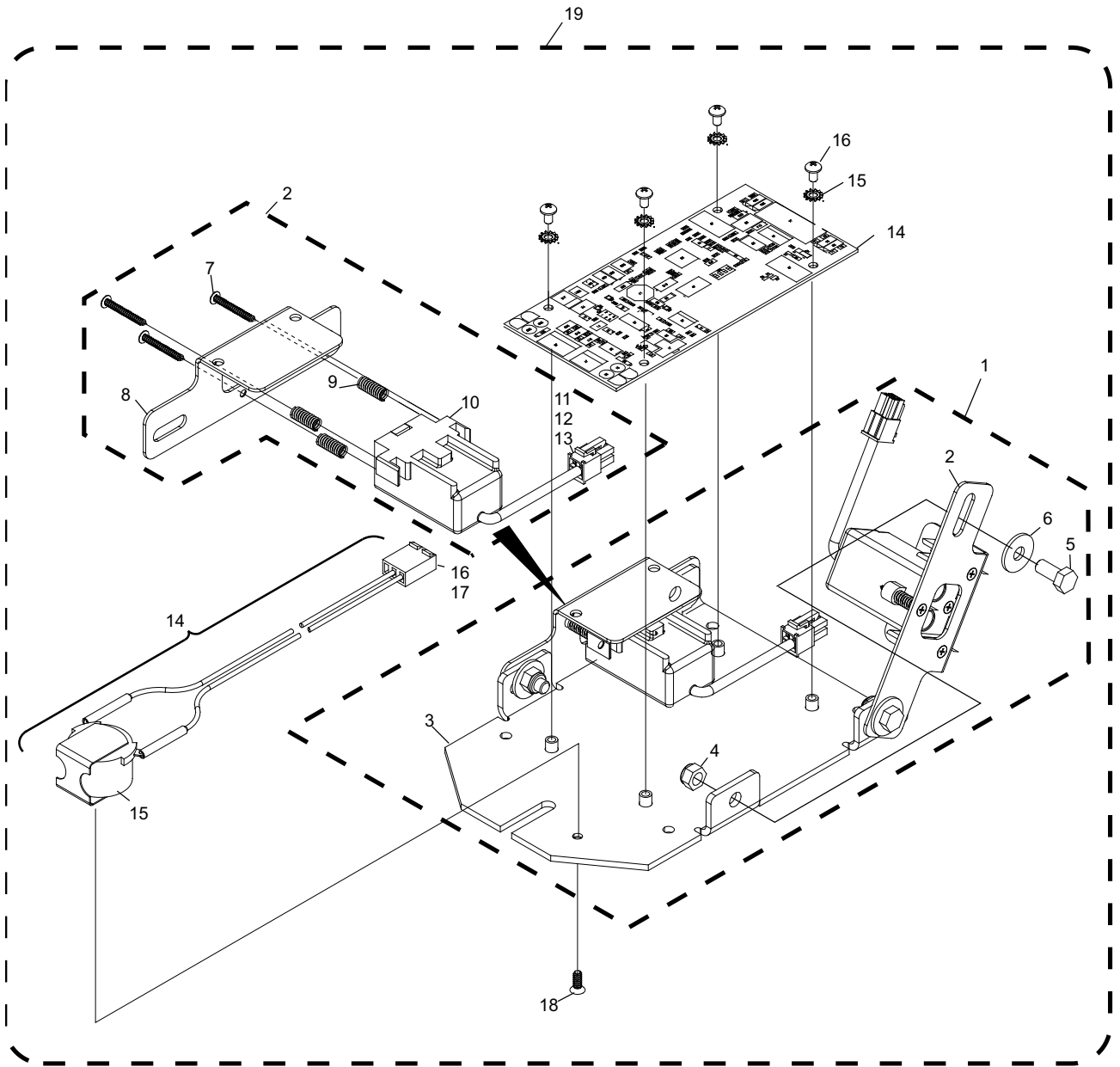


## Framework Tel-E-Foul

**Index**

<b>No.</b>	<b>Part No.</b>	<b>Description</b>
1.	53-600192-000	Intellifoul Chassis
2.	53-600193-000	Assembly, Foul Detect
3.	53-600162-000	Intellifoul Base Plate
4.	11-051072-001	Screw Hex Head Cap (M6 x 14 mm)
5.	11-051743-001	Locknut
6.	11-052037-001	Flat Washer
7.	11-086307-001	Screw C.R Tapping (4-24 x 1")
8.	53-600164-000	Bracket Foul Sensor
9.	99-080180-004	Compression Spring
10.	53-600194-000	Assembly Foul Detector Box
11.	27-619007-000	Cable
12.	11-692091-000	<i>Terminal</i>
13.	11-692304-000	Connector Housing
14.	53-900196-000	Buzzer Assembly
15.	53-600103-000	Buzzer
16.	11-697201-000	Connector Housing
17.	11-680322-000	Terminal
18.	11-014022-000	Screw FHCR (6-32 x.038)
19.	53-600191-000	Intellifoul - Complete

**Intellifoul**



# Intellifoul