

Section H

MASKING UNITS

Index

No.	Part No.	Description
1.	11-082062-001	N.A. C.R. Rd. Hd. Screw (#8-15 x 1/2")
<u>CORNER MOLDING</u>		
2.	53-200891-002	N.A. 133"
	53-200891-003	N.A. 12"
	N.A.	24"
	53-200891-005	N.A. 36"
	N.A.	48"
	N.A.	72"
	53-200891-008	N.A. 96"
	N.A.	73"
<u>UPPER FACE SHEET</u>		
3.	N.A.	12" x 9-1/2" Wide
	N.A.	24" x 9-1/2" Wide
	N.A.	36" x 9-1/2" Wide
	N.A.	48" x 9-1/2" Wide
	N.A.	72" x 9-1/2" Wide
	N.A.	96" x 9-1/2" Wide
	N.A.	73" x 9-1/2" Wide
	53-200858-017	133" x 9-1/2" Wide
<u>TRIM MOLDING</u>		
4.	53-200862-002	N.A. 133"
	N.A.	12"
	53-200862-004	N.A. 24"
	N.A.	36"
	53-200862-006	N.A. 48"
	N.A.	72"
	53-200862-008	N.A. 96"
	N.A.	73"
5.	53-860247-000	Adaptor Kit for AMF 8270 Pinspotter to Action Set Masking Unit
6.	11-680204-000	N.A. Connector Housing
7.	11-680301-000	N.A. Terminal
	57-860031-00	R.O. Terminal - Female (Pkg. of 20)
8.	53-200777-000	Relay Chassis Action Set Assembly (AMF 8270)
9.	N.A.	Connector
10.	11-612652-000	N.A. Contact
11.	N.A.	Guide Pin
12.	N.A.	Guide Socket
13.	11-675523-000	Lamp (#68)
14.	N.A.	Solderless Connector
15.	N.A.	Action Set Cable Assy. (AMF 8270-SS)
16.	53-860248-000	Adaptor Kit for AMF 8270-SS Pinspotter to Action Set Masking Unit
17.	53-860246-000	N.A. Adaptor Kit for AMF 8230 Pinspotter to Action Set Masking Unit
18.	N.A.	Dbl. Tab Spade Adaptor
19.	11-612253-000	N.A. Faston Connector
20.	53-200896-000	N.A. Jumper (AMF 8230)

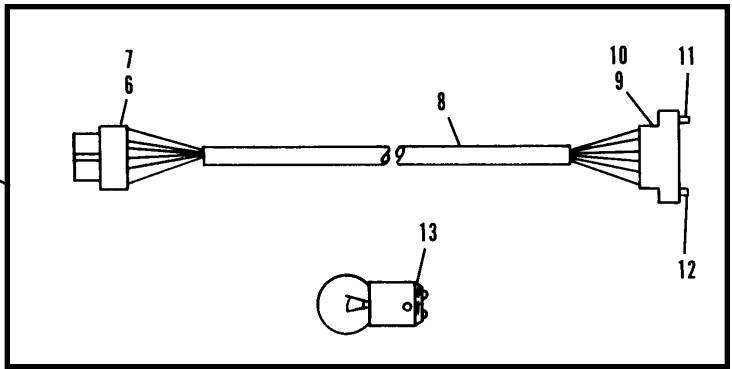
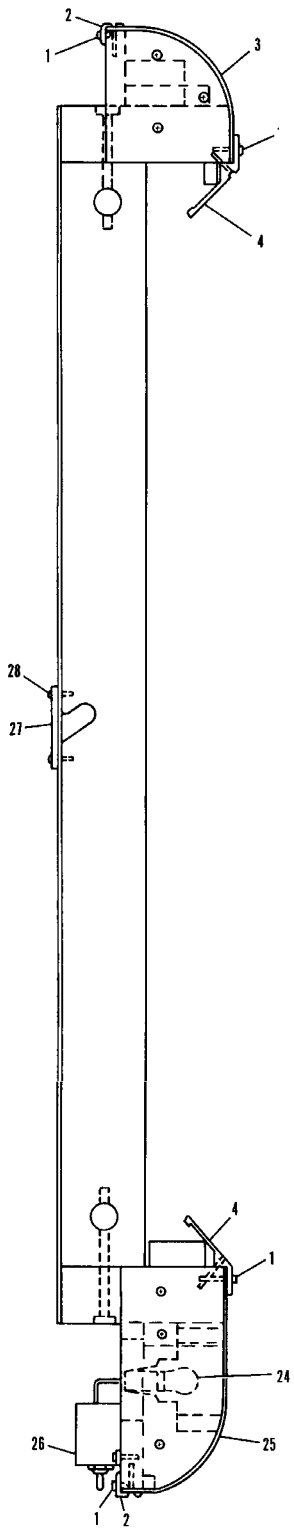
21. 53-200776-000 N.A. Action Set Cable Assy. (AMF 8230)

Index

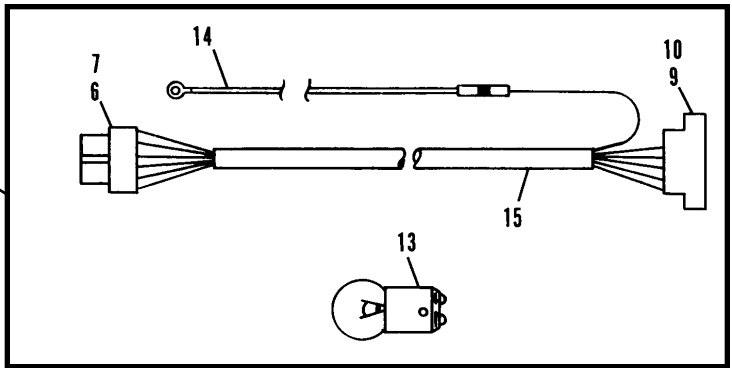
No.	Part No.	Description
<u>LANE NUMERALS (WHITE W/BLACK TRIM)</u>		
22.	53-300113-002	#2
	53-300113-003	#3
	53-300113-004	#4
	53-300113-005	#5
	53-300113-006	#6 or #9
	53-300113-007	#7
	53-300113-008	#8
	53-300113-009	#0
	53-300113-001	#1
<u>LANE NUMERALS (SOLID BLACK)</u>		
23.	53-300113-002	#2
	53-300113-003	#3
	53-300113-004	#4
	53-300113-005	#5
	53-300113-006	#6 or #9
	53-300113-007	#7
	53-300113-008	#8
	53-300113-009	#0
	53-300113-001	#1
24.	11-300113-000	N.A. Lamp (#624)
<u>LOWER FACE SHEET</u>		
25.	N.A.	12" x 12" Wide
	N.A.	24" x 12" Wide
	N.A.	36" x 12" Wide
	N.A.	48" x 12" Wide
	N.A.	72" x 12" Wide
	N.A.	96" x 12" Wide
	53-200853-000	133" x 12" ("Brunswick" and Lights)
	53-200853-002	N.A. 133" x 12" (w/ Crown)
	*53-201043-000	N.A. 133" x 12" (Plain)
26.	N.A.	Strike & Ball Light Harness
27.	N.A.	Retaining Strap
28.	N.A.	C.R. Truss Hd. Screw (#10-12 x 1")

N.A. = No Longer Available

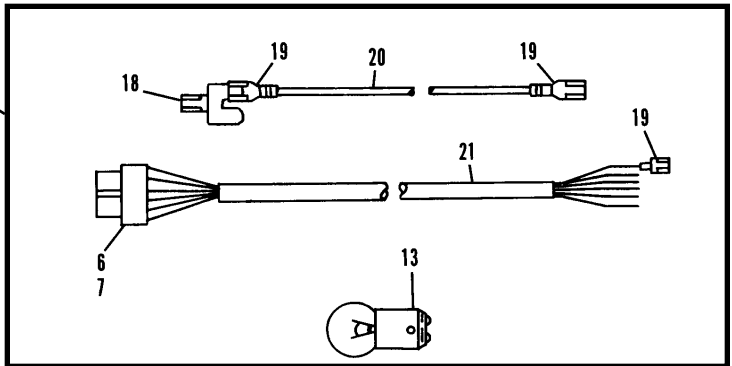
* Available as a private label. Call 1-800-YES-BOWL for Details.



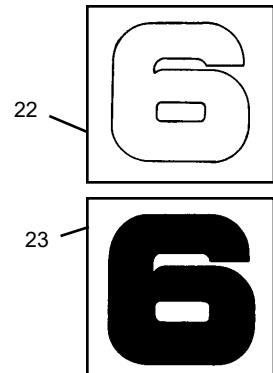
ADAPTER KIT FOR AMF 82-70 PINSPOTTER



ADAPTER KIT FOR AMF 82-70-SS PINSPOTTER



ADAPTER KIT FOR AMF 82-30 PINSPOTTER



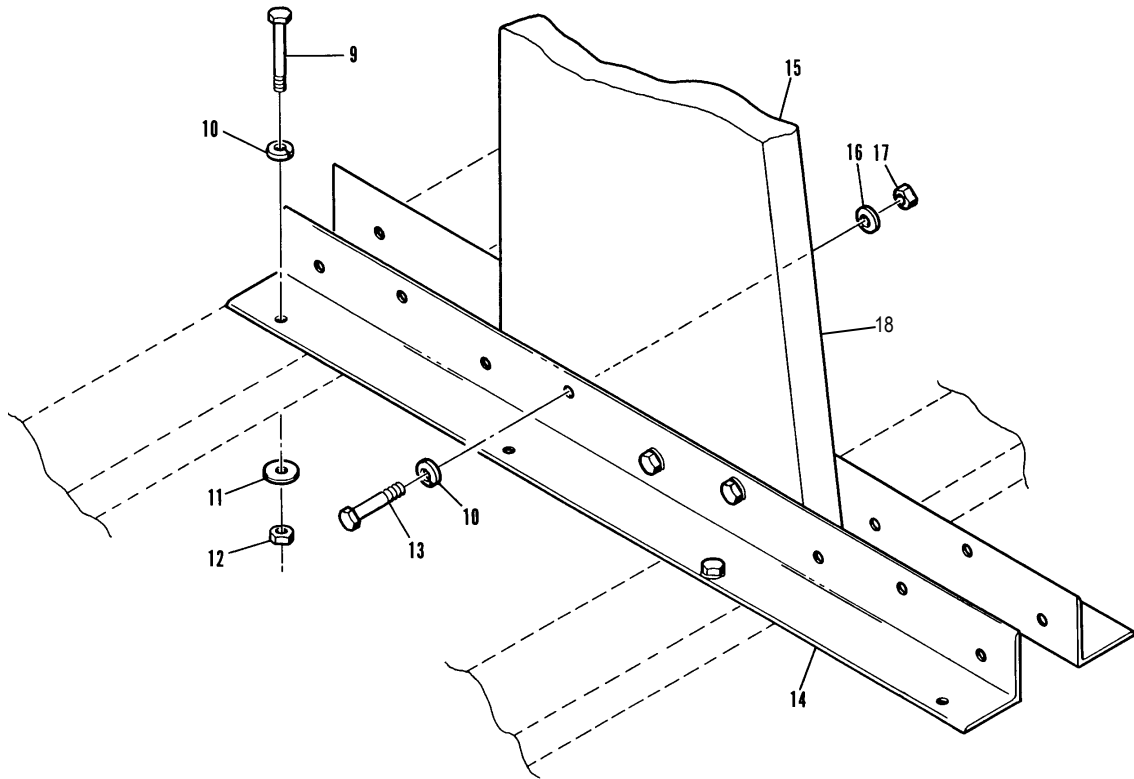
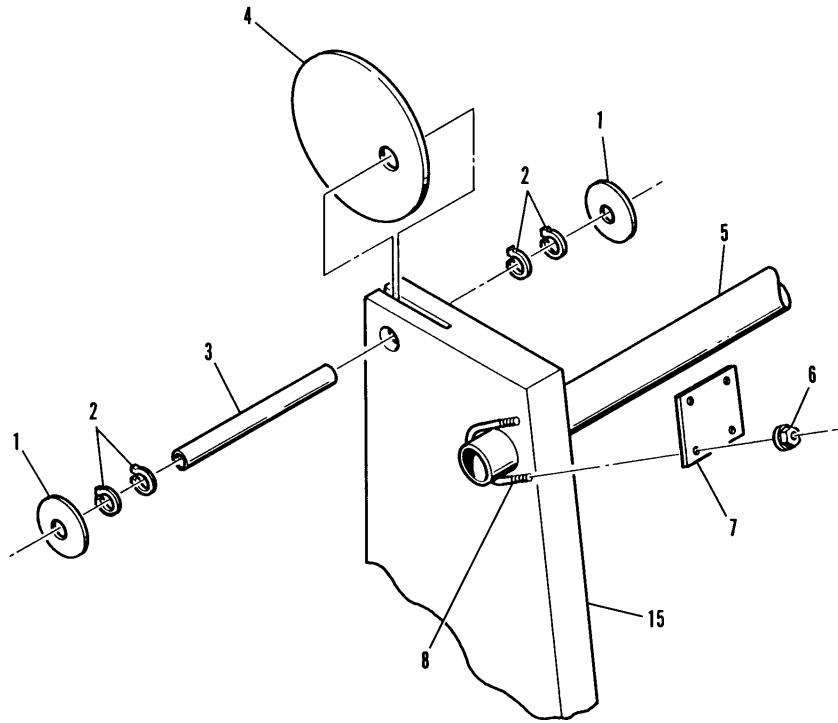
B-2000 Action Set Masking Units

Index

No.	Part No.		Description
1.	11-191024-001		Flat Washer (3/4)
2.	11-534521-000	N.A.	Retaining Ring (3/4)
3.	N.A.		Pivot Pin
4.	53-200919-000	N.A.	Graphic Panel Retainer
5.	53-200898-005		Pipe - 126" long
6.	11-176001-001		Hex Nut w/Lockwasher Assembly (5/16)
7.	53-200907-000	N.A.	Support Brace Plate
8.	53-200908-000	N.A.	Support Brace "U" Bolt
9.	11-001355-001		Hex Hd. Bolt (3/8-16 x 2-3/4")
10.	11-195016-001		Spring Lockwasher (3/8)
11.	11-190514-001		Flat Washer (13/32)
12.	11-125011-001		Hex Nut (3/8-16)
13.	11-001353-001		Hex Hd. Bolt (3/8-16 x 2-1/4")
14.	53-201004-000	N.A.	Support Angle
15.	53-201005-000	N.A.	Masking Unit Support
16.	11-190014-001		Flat Washer (3/8)
17.	11-125204-001		Hex Jam Nut (3/8-16)
18.	53-200922-000	N.A.	White Filler Strip

N.A. = No Longer Available

**B-2000 Action Set
Masking Unit Support Assembly**



**B-2000 Action Set
Masking Unit Support Assembly**

Index

No.	Part No.		Description
1.	53-200871-000	N.A.	Strike and Ball Lights Harness Assembly
2.	53-200905-002	N.A.	R.H. Light Housing
3.	53-200905-003	N.A.	L.H. Light Housing
4.	11-082062-001	N.A.	Self Tapping C.R. Rd. Hd. Screw (#8 x 1/2")
5.	53-860586-000		Strike Harness Assembly (includes 2 each)
6.	11-680204-000	N.A.	Connector Housing (9 Contacts)
7.	11-680301-000	N.A.	Terminal
	57-860031-000	R.O.	Terminal - Female (Pkg. of 20)
8.	N.A.		Cable Clamp
9.	11-623002-000	N.A.	90° Angle Plug
10.	11-612253-000	N.A.	Faston Connector
11.	11-675521-002		Lamp - #1692 (10 Pack)
	11-675582-000		Lamp - #624
	11-675523-000		Lamp #68 (for AMF Units Only)
12.	11-609502-000	N.A.	Wire Connector
13.	10-703501-000	N.A.	Socket Assembly
	*	R.O.	See Note
14.	11-612201-000	N.A.	Button Contact
15.	11-616601-000	N.A.	Indicating Plate
16.	11-615501-000		Toggle Switch
17.	N.A.		Switch Box Assembly
18.	N.A.		Strain Relief Bushing
19.	11-680104-000	N.A.	Connector Plug (9 Contacts)
20.	11-680302-000	N.A.	Terminal
	57-860032-000	R.O.	Terminal - Male (Pkg. of 10)
21.	11-603108-000	N.A.	Cable Tie (3-5/8")

N.A. = No Longer Available

* Ball light kit and component parts 1993 - 1998. The following options are available

Kit Complete:

M4-010018-000 - LED Ball Light & Cable, 1993 - 1998 - Complete Kit with instructions.

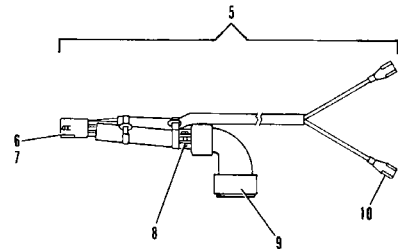
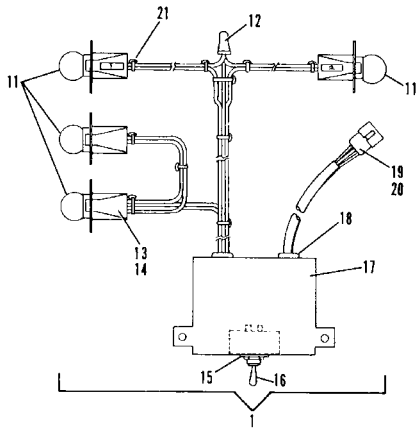
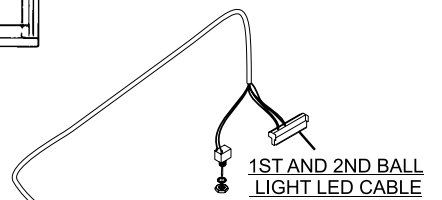
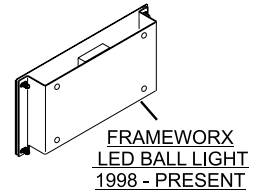
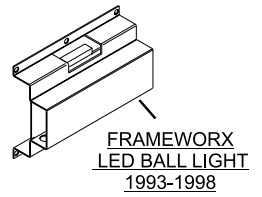
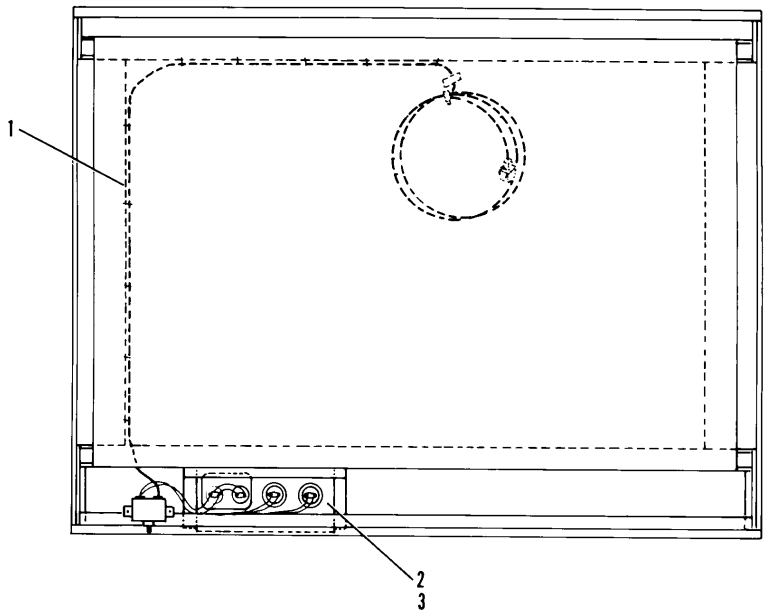
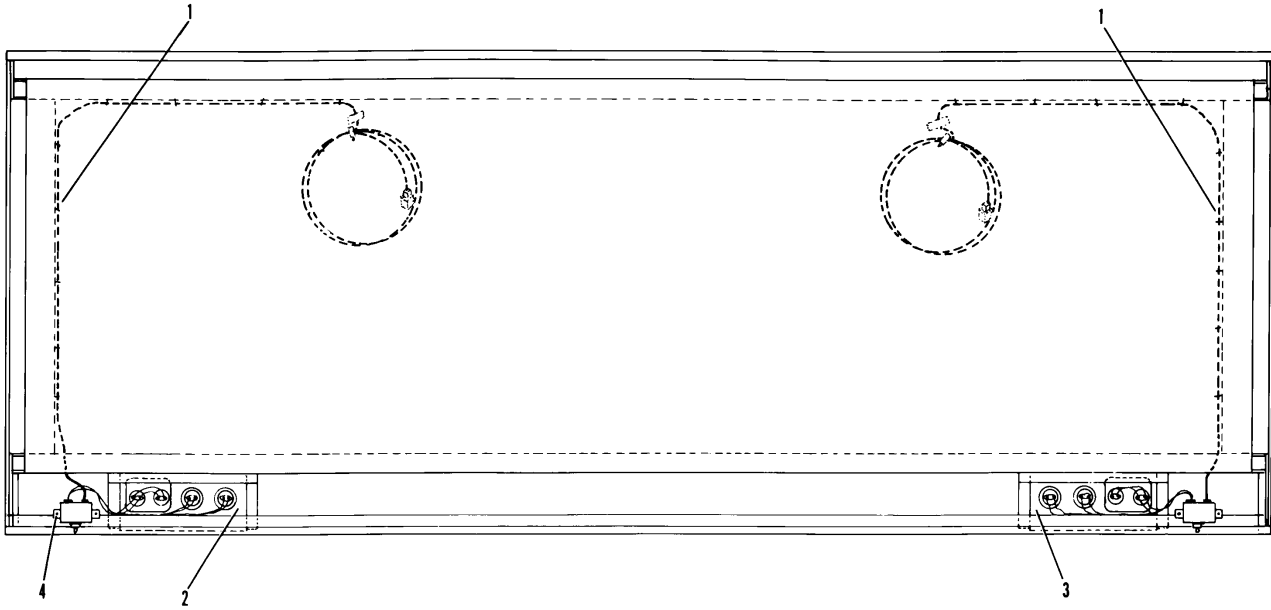
Replacement component parts for kit complete:

53-861665-000 - Pkg. Ball Light Asssembly , LED 1993 - 1998

53-861666-000 - Pkg. Cable, 1st & 2nd Ball Light LED

53-900217-000 - Instructions, 1st & 2nd Ball Light LED

Action Set Masking Unit



Action Set Masking Unit

Index

No.	Part No.		Description
1.	53-867900-999	S.O.	Lower Graphic Panel Single Sided
2.	53-863900-999	S.O.	Lower Graphic Panel Double Sided
3.	53-868900-999	S.O.	Upper Graphic Panel Single Sided
4.	53-865900-000	S.O.	Upper Graphic Panel Double Sided

S.O. = Special Order

NOTE: *Frameworkx Masking Units have now become Lanescape Masking Units. The above product numbers represent the new line. Graphics are available in over 150 designs and are viewable online at www.brunswickbowling.com. The previous Action Set Making Units are no longer available and Lanescape should be used as a replacement option. All Panels are special order.*

N.A.

Frameworkx Masking Unit Graphics

Intentionally Blank Page

N.A.

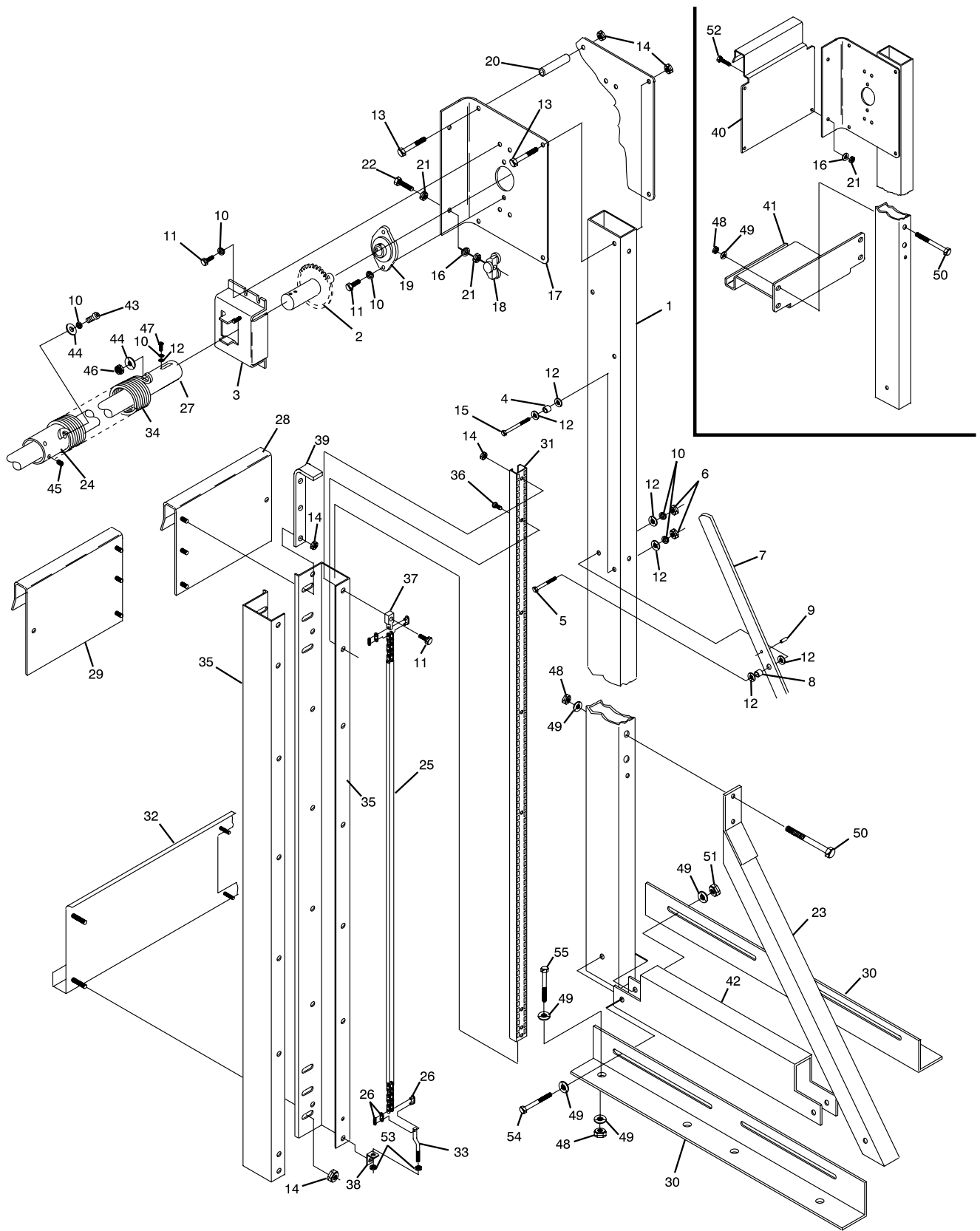
Frameworkx Masking Unit Graphics

Index

No.	Part No.	Description
1.	53-300010-000	Upright
2.	N.A.	Shaft & Sprocket Assembly
3.	N.A.	Spring Anchor
4.	53-300076-000	N.A. Latch Spacer
5.	11-001193-001	Hex. Hd. Cap Screw (1/4-20 x 2-1/4")
6.	11-125007-001	Hex Nut (1/4-20)
7.	53-300074-000	Latch
8.	53-300075-000	Latch Spacer
9.	11-345306-000	Roll Pin (3-16 x 5/8")
10.	11-195014-001	Lockwasher (1/4)
11.	11-001182-001	Hex. Hd. Screw (1/4-20 x 3/4")
12.	11-190010-001	Flat Washer (1/4)
13.	11-001192-001	Hex. Hd. Cap Screw (1/4-20 x 2")
14.	11-176000-001	Keps Nut (1/4-20)
15.	11-001194-001	Hex. Hd. Cap Screw (1/4-20 x 2-1/2")
16.	11-195012-001	Lockwasher (#12)
17.	53-300187-000	N.A. Roller Plate
18.	N.A.	Roller
19.	53-300063-000	Flange Bearing
20.	53-300069-000	N.A. Roller Plate Spacer
21.	11-125006-001	Hex Nut (#12-24)
22.	11-010122-001	Hex Hd. Cap Screw (#12-24 x 1-1/2")
23.	53-300013-000	Angle Support Brace
24.	53-300032-000	Spring Collar
25.	53-300038-000	Chain
26.	N.A.	Connecting Link Assembly
27.	53-300046-000	N.A. Shaft
	53-300110-000	N.A. Shaft Single Lane
28.	53-300071-000	R.H. Top Graphics Clamp
29.	53-300070-000	N.A. L.H. Top Graphics Clamp
30.	53-300066-000	N.A. Base Angle
31.	N.A.	Track
32.	53-300057-000	N.A. Lower Graphics Support (131.50")
	53-300109-000	N.A. Lower Graphics Support Single Lane (70.75")
33.	53-300055-000	N.A. Chain Adjusting Link
34.	53-300079-000	Torsion Spring
35.	53-300082-000	N.A. Graphics Brace
36.	N.A.	Hex Socket Button Hd. Screw (#8-32-18 x 1/8")
37.	53-300085-000	N.A. Upper Chain Anchor
38.	53-300086-000	N.A. Lower Chain Anchor
39.	53-300090-000	N.A. Stop
40.	53-300102-000	Filler Panel Upper Clamp
41.	53-300100-000	N.A. Filler Panel Lower Clamp
42.	53-300080-000	N.A. Filler
43.	11-005178-001	Socket Hd. Cap Screw (1/4-20 x 1/2")
44.	11-191011-001	N.A. Flat Washer (1/4)
45.	11-101160-000	Socket Hd. Set Screw (1/4-20 x 1/4")
46.	11-170007-001	Lock Nut (1/4-20)
47.	11-006178-000	N.A. Hex Socket Button Hd. Cap Screw (1/4-20 x 1/4")
48.	11-170011-001	Hex Nut Nylok (3/8-16)
49.	11-191014-001	Flat Washer (3/8)
50.	11-001359-001	Hex Hd. Cap Screw (3/8-16 x 3-3/4")
51.	11-170110-001	Thin Lock Nut (3/8-16)
52.	11-010177-000	N.A. Slotted Hex Hd. Machine Screw (#12-24 x 3/4")
53.	11-125200-001	Jam Nut (1/4-20)
54.	11-001354-001	Hex Hd. Cap Screw (3/8-16 x 2-1/2")
55.	11-001355-001	Hex Hd. Cap Screw (3/8-16 x 2-3/4")

N.A. = No Longer Available

Frameworkx Lower Masking Unit



Framework Lower Masking Unit

Index

No.	Part No.		Description
1.	53-300362-000	N.A.	Lens (Red)
	53-300388-000	R.O.	LED Ball Light Lens (Red)- 1998-Present
2.	53-300072-000		Grommet
3.	53-300091-000		Lamp Housing
4.	53-300092-000	N.A.	Baffle
5.	53-300100-000	N.A.	Ball Light Assembly (Index nos. 3,4,7,9 & 10)
	53-861665-000	R.O.	Pkg. LED Ball Light Assembly (1993-1998) - also order: 53-300054-000 Lens, 53-861666-000 1st & 2nd Ball Light LED and 53-900217-000 Instructions 1st & 2nd Ball Light LED.

LANE NUMERALS (DIE CUT WHITE)

6.	53-300103-000	N.A.	Lane Numerals (0-9)
	53-300113-001		#1
	53-300113-002		#2
	53-300113-003		#3
	53-300113-004		#4
	53-300113-005		#5
	53-300113-006		#6 or #9
	53-300113-007		#7
	53-300113-008		#8
	53-300113-010	N.A.	#0
7.	11-615501-000		Toggle Switch
8.	11-176000-001		Keps Nut (1/4-20)
9.	11-675582-000		Lamp #624
10.	10-703501-000	N.A.	Lamp Socket Assembly w/Wire
	**	R.O.	See Note
11.	53-861665-000		Pkg. Ball Light Assembly LED for 1993-1998 Masking Units
12.	53-861666-000		Pkg. - Cable, 1st & 2nd Ball Light LED
13.	53-300054-000		Lens

AMF ADAPTER KITS

*53-860247-000	Pkg. Masking Unit Adapter Kit - (SS) 8270
*53-860248-000	Pkg. Adapter Kit - 8270
*53-860249-000	Pkg. Masking Unit Adapter Kit - (MP) 8270 MP w/Round Plug
*11-675523-000	Lamp - AMF 13.5V

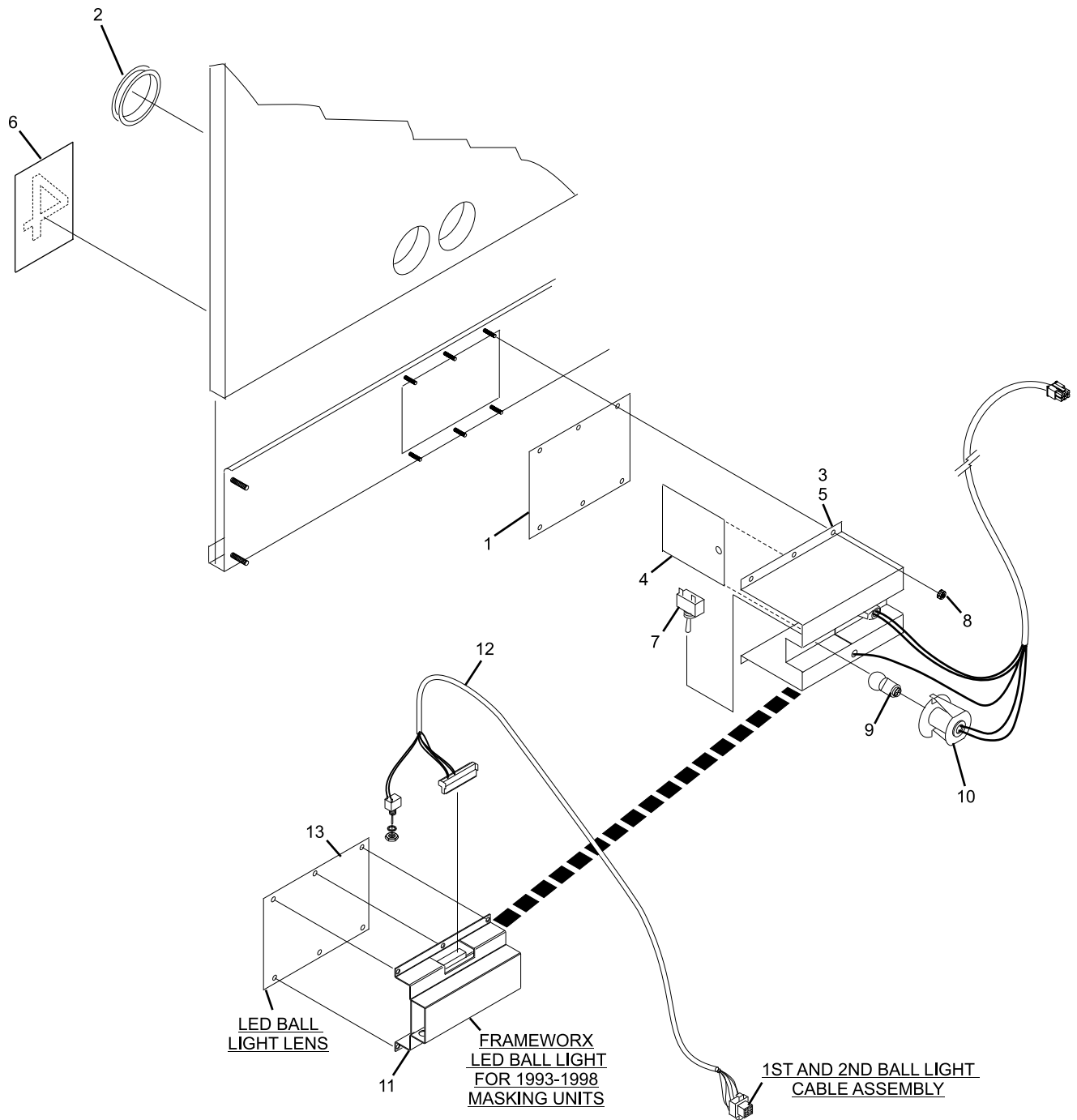
* = *Not Illustrated*

** *The Lamp Socket Assembly for incandescent lamps is no longer available. Upgrade to LED fixtures is required. Order index numbers 11, 12, and 13 along with instruction sheet "1st and 2nd Ball Light LED (53-900217-000).*

N.A. = No Longer Available

R.O. = Replacement Option

Frameworkx Ball Light Assembly 1993 -1998 Masking Units



**Framework Ball Light Assembly
1993 -1998 Masking Units**

Index

No.	Part No.		Description
1.	53-300115-000	N.A.	Extension
2.	53-300023-000	N.A.	Horizontal Extension
3.	53-300025-000	N.A.	Upper Graphic Arm #1
4.	53-300025-001	N.A.	Upper Graphic Arm #2
5.	53-300025-002		Upper Graphic Arm #3 (24")
6.	53-300025-003		Upper Graphic Arm #4 (36")
7.	53-300030-000		Corner Brace Upper Graphics
8.	53-300093-000	N.A.	Cross Brace Support
9.	53-300096-000	N.A.	Upper Graphic Side Wall Assembly - Left Hand
10.	53-300097-000	N.A.	Upper Graphic Side Wall Assembly - Right Hand
11.	53-300099-000		Cross Brace End Support
12.	53-300104-000	N.A.	Cross Brace Horizontal Extension
13.	11-604200-000	N.A.	Wire Rope Clip Assembly (1/8")
14.	11-082564-001	N.A.	C.R. Pan Hd. Tapping Screw (#10 x1")
15.	11-112060-000		E-Z Anchor
16.	53-300108-000	N.A.	Vertical Extension Cross Brace
17.	53-300078-000	N.A.	Cross Brace
18.	N.A.		Cable (30')
19.	11-001397-001		Hex Hd. Cap Screw (3/8-16 x5")
20.	11-191014-001		Flat Washer (3/8)
21.	11-170110-001		Thin Lock Nut (3/8-16)
22.	11-001178-001		Hex. Hd. Cap Screw (1/4-20 x 1/2")
23.	11-001193-001		Hex. Hd. Cap Screw (1/4-20 x 2-1/4")
24.	11-125007-001		Hex. Nut (1/4-20)
25.	11-195014-001		Lock Washer (1/4)
26.	11-191011-001	N.A.	Flat Washer (1/4)
27.	11-010907-001		Self Tapping HSMS (#14 x 3/4")
28.	11-001353-001		Hex. Hd. Cap Screw (3/8-16 x 2-1/4")
29.	11-001342-001		Hex. Hd. Cap Screw (3/8-16 x 3/4")
30.	11-170007-001		Lock Nut (1/4-20)
31.	11-170011-001		Lock Nut (3/8-16)

N.A. = No Longer Available

Frameworkx Upper Masking Unit

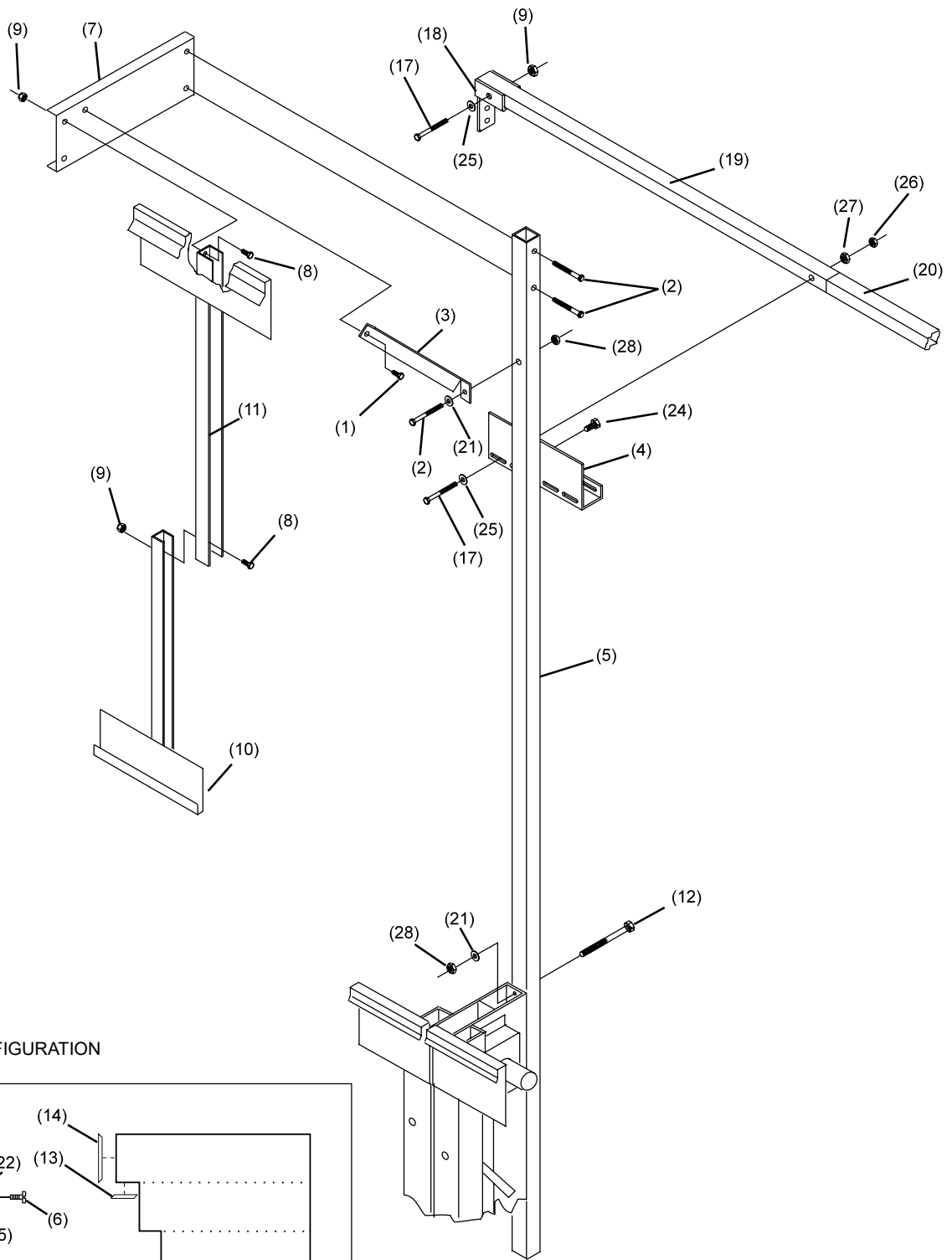
Index

No.	Part No.	Description
1.	11-001342-001	Hex. Hd. Cap Screw (3/8-16 x 3/4")
2.	11-001353-001	Hex. Hd. Cap Screw (3/8-16 x 2-1/4")
3.	53-300030-000	Corner Brace
4.	53-300093-000	N.A. Cross Brace Support
5.	53-300255-000	N.A. Vertical Extension
6.	11-082564-000	N.A. Pan Hd. C.R. Tapping Screw (#10 x 1")
7.	53-300256-000	N.A. Horizontal Extension
8.	11-001178-001	Hex. Hd. Cap Screw (1/4-20 x 1/2")
9.	11-170007-001	Locknut (1/4-20)
10.	53-300260-000	N.A. Lower Arm Weldment Assembly
11.	53-300259-000	N.A. Upper Arm Weldment Assembly
12.	11-001397-001	N.A. Hex Hd. Cap Screws (3/8-16 x 5")
13.	53-300277-000	N.A. Graphic U-Channel - Long
14.	53-300278-000	N.A. Graphic U-Channel - Short
15.	53-300271-000	N.A. Sidewall Bracket - Lower Left
	53-300273-000	N.A. Sidewall Bracket - Lower Right
16.	53-300272-000	N.A. Sidewall Bracket - Upper Left
	53-300274-000	N.A. Sidewall Bracket - Upper Right
17.	11-001193-001	Hex. Hd. Cap Screw (1/4-20 x 2-1/4")
18.	53-300099-000	Cross Brace End Bracket
19.	53-300104-000	N.A. Cross Brace Extension
20.	53-300078-000	N.A. Cross Brace
21.	11-191014-001	Flat Washer (3/8)
22.	11-112060-000	E-Z Wall Anchor
23.	*11-900075-000	N.A. Black Vinyl Tape (9/16" x 2-1/2" LG.)
24.	11-010907-001	Self-Tapping Screw (#14 x 3/4")
25.	11-190010-001	Flat Washer (1/4)
26.	11-125007-001	Hex. Nut 1/4-20
27.	11-195014-001	Lockwasher (1/4)
28.	11-125104-001	Locknut (3/8-16)

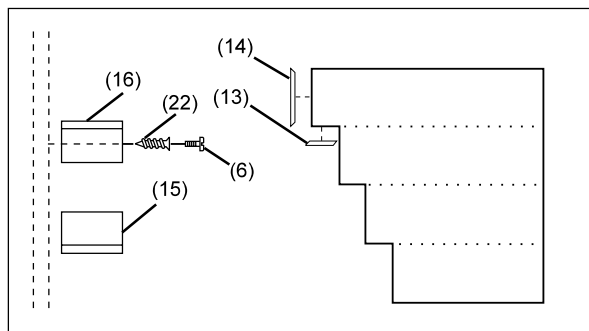
N.A. = No Longer Available

* Not Illustrated.

Frameworkx Masking Unit - One Panel Upper



SIDEWALL CONFIGURATION



Frameworx Masking Unit - One Panel Upper

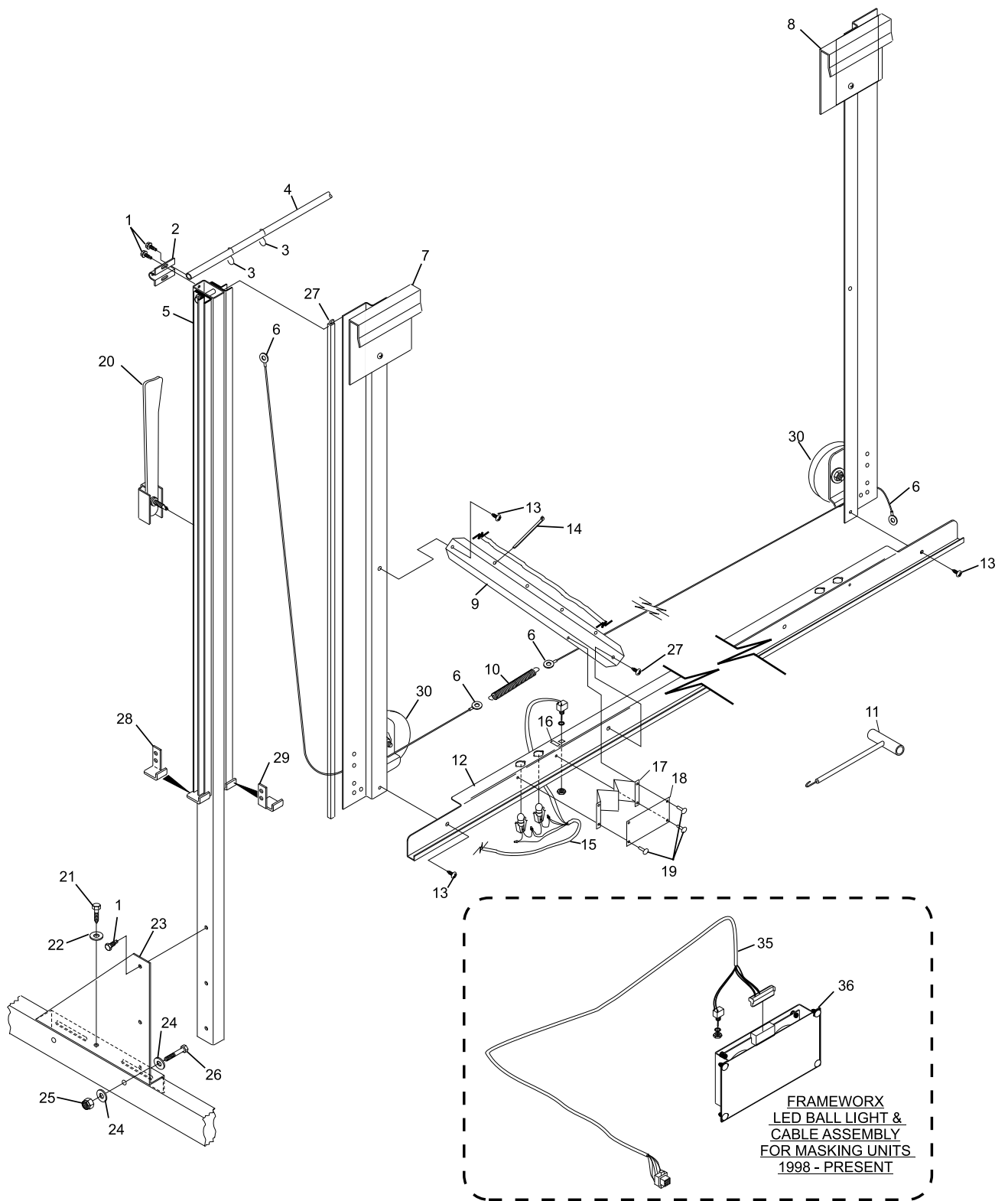
Index No.	Part No.		Description
1.	11-010812-001	N.A.	Hex Washer Head Self Drilling Screw (1/4-14 x 3/4")
2.	53-300337-000		Clamp
3.	11-045310-000		"S" Hook (2.38")
4.	53-300335-002	N.A.	Cross Lane Tube (2 lane)
	53-300334-001	N.A.	Cross Lane Tube (1 lane)
5.	53-300368-000		Lower Vertical Support Assembly
6.	*53-861094-000		Replacement Kit - Pulley Cables and Spring (2 lane)
	*53-861095-000		Replacement Kit - Pulley Cables and Spring (1 lane)
7.	53-300370-000		L.H. Z-Bar Assembly
8.	53-300369-000		R.H. Z-Bar Assembly
9.	53-300347-000		Brace
10.	*53-861096-000		Spring (Pkg. of 10) must order item 11 Spring Puller to install Springs
11.	11-112131-000		Spring Puller Tool
12.	53-300346-000		Cross Channel (1 lane)
	53-300327-000		Cross Channel (2 lane)
13.	11-006180-001		Button Head C.R. Screw (1/4-20 x 5/8")
14.	11-603108-000	N.A.	Cable Tie (3-5/8")
15.	**53-861079-000	N.A.	First to Second Ball Light Cable Assembly
16.	53-300372-000	N.A.	ON/OFF Label
17.	53-300320-000		Light Shield
18.	53-300388-000		Lens (1998-PRESENT)
19.	53-300363-000		Tree Fasteners
20.	53-300373-000		Latch Assembly
21.	11-070545-001	N.A.	Lag Screw (5/16 x 2")
22.	11-191012-001		Flat Washer (5/16)
23.	53-300332-000	N.A.	Support Gusset
24.	11-190552-001	N.A.	Fender Washer (1-1/4 OD x 3/8 ID)
25.	11-170009-001		Hex Nut Nylock (5/16-18)
26.	11-001273-001		Screw (5/16-18 x 2-1/4")
27.	53-300356-000		Edge Guard (part of # 7/8 Z-Bar)
28.	53-300342-000		R.H. Bottom Stop
29.	53-300341-000		L.H. Bottom Stop
30.	53-861097-000		Cord Reel
31.	*53-860247-000		Masking Unit Adapter, AMF (ss) 8270 - Kit
32.	*53-860248-000		Adapter, AMF 8270 - Kit
33.	*53-860849-000		Masking Unit Adapter, (mp) 8270 MP w/Round Plug - Kit
34.	*11-675523-000		Lamp AMF (13.5V)
35.	**53-861666-000		Pkg. LED 1st and 2nd Ball Light Cable Assembly
36.	**53-861664-000		Pkg. LED Ball Light and Cable Assembly 1998-PRESENT

* = Not Illustrated

** The Lamp Socket Assembly for incandescent lamps is no longer available. Upgrade to LED fixtures is required. Order index numbers 35, and 36 along with instruction sheet "1st and 2nd Ball Light LED (53-900217-000)".

N.A. = No Longer Available

Frameworkx Masking Unit 1998 - Present



**Frameworx Masking Unit
1998 - Present**

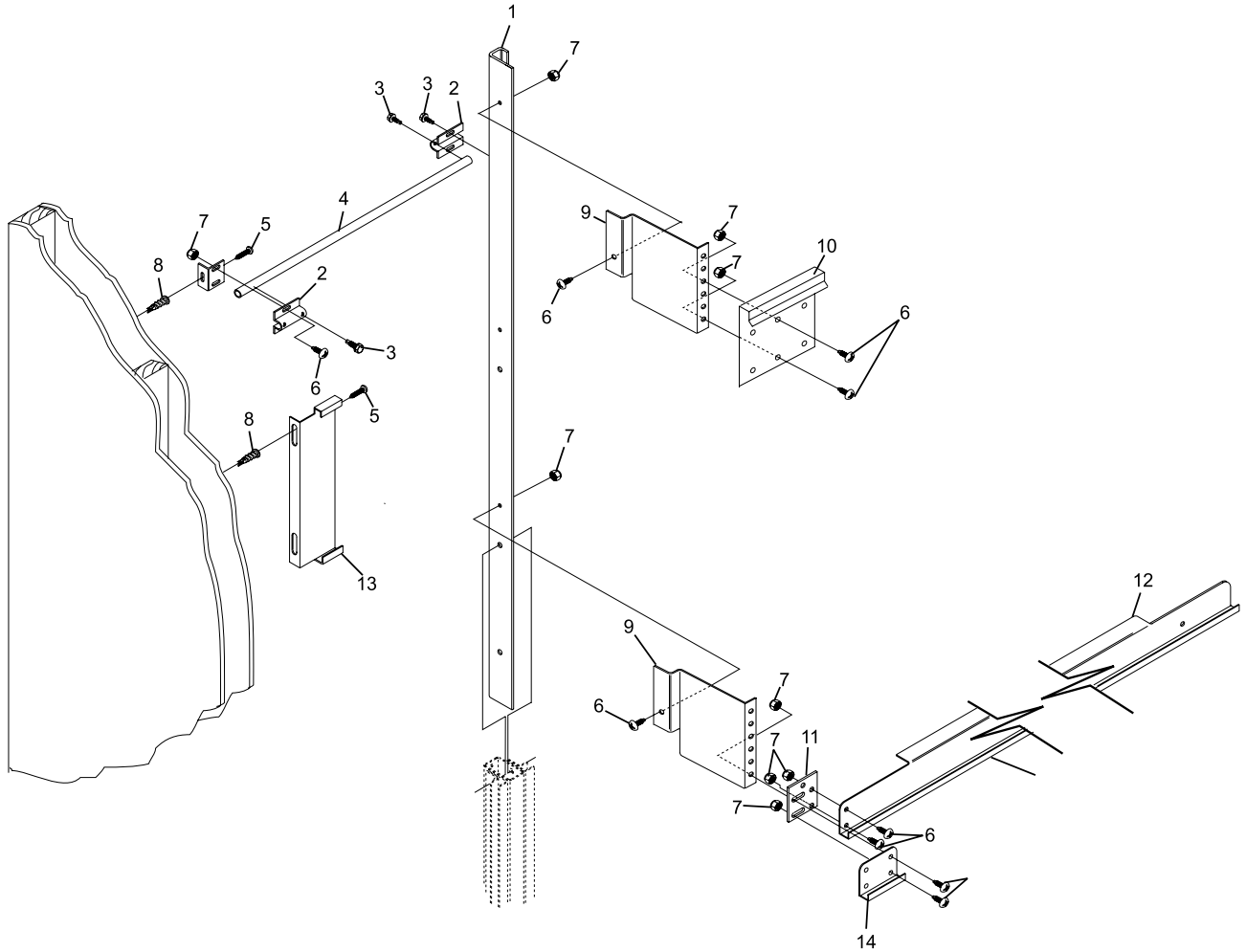
Index

No.	Part No.		Description
1.	53-300328-000		Upper Vertical Support
2.	N.A.		Clamp (order index number 15)
3.	11-010812-001	N.A.	Hex Washer Head Self Drilling Screw (1/4-14 x 3/4")
4.	N.A.		Cross Tube Support (order index number 15)
5.	11-082864-001	N.A.	Screw
6.	11-024288-001		Truss Head C.R. Screw (1/4-20 x 5/8")
7.	11-170007-001		Hex Nut Nylok (1/4-20)
8.	11-112060-000		EZ-Anchor (Wall Anchor)
9.	53-300330-000	N.A.	Upper Standoff
10.	53-300329-000	N.A.	Upper Graphic Holder
11.	53-300338-000	N.A.	Channel Adapter
12.	*53-300340-000	N.A.	Upper Graphic Channel (2 lane)
	*53-300348-000		Upper Graphic Channel (1 lane)
13.	N.A.		L.H. End Graphic Holder (order index number 15)
	N.A.		R.H. End Graphic Holder (order index number 15)
14.	N.A.		End Graphic Channel (order index number 15)
15.	*53-861084-000		10' End Support Kit

N.A. = No Longer Available

* Not Illustrated

Frameworkx Masking Unit



Frameworx Masking Unit

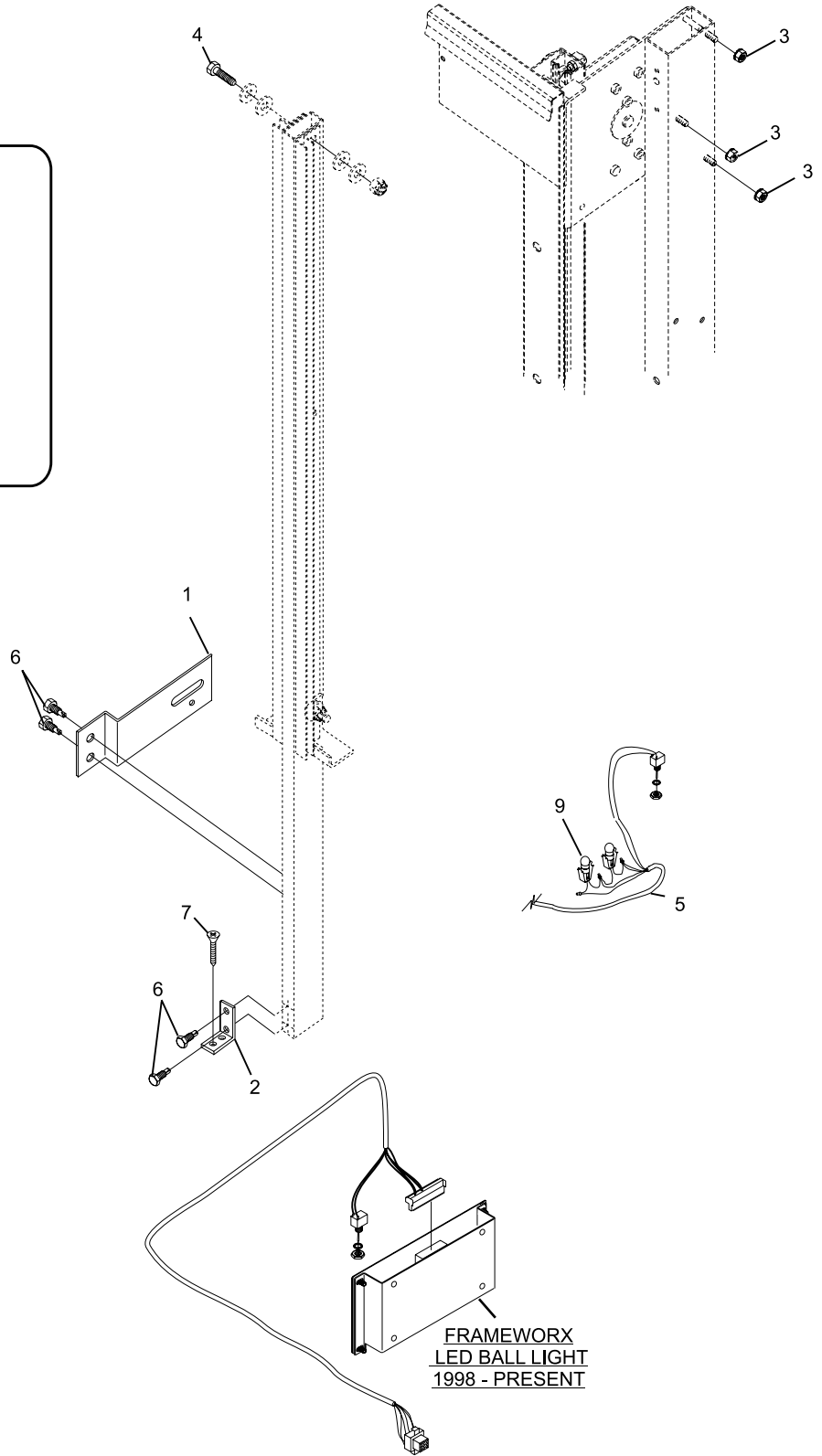
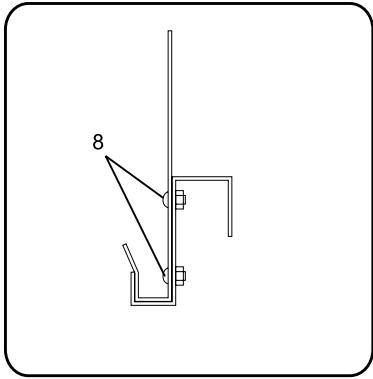
Index

No.	Part No.		Description
1.	53-300375-000		Bracket
2.	11-610700-000	N.A.	"L" Bracket (2" x 2")
3.	11-170007-001		Hex Nut Nylok (1/4-20)
4.	11-001184-001		Screw Hex Head (1/4-20 x 1")
5.	53-861079-000	N.A.	1st to 2nd Ball Light Cable Assembly
	*53-861666-000	R.O.	Pkg. LED 1st and 2nd Ball Light Cable Assembly
6.	11-010812-001	N.A.	Hex Washer Head Self Drilling Screw (1/4-14 x 3/4)
7.	11-040097-001	N.A.	Flat Head C.R. Screw (#10 x 1-1/2")
8.	11-024288-001		Truss Head Screw (1/4-20 x 5/8")
9.	11-675582-000		Lamp (#624)

N.A. = No Longer Available

* *When originally replacing 53-861079-000 order **53-861664-000** Pkg. LED Ball Light Assembly-1998 to Present, **53-861666-000** Pkg. LED 1st and 2nd Ball Light Cable Assembly and **53-900217-000** Installation Instructions Must replace both when replacing 53-861079-000.*

Framework Masking Unit Add-On Kit



Framework Masking Unit Add-On Kit

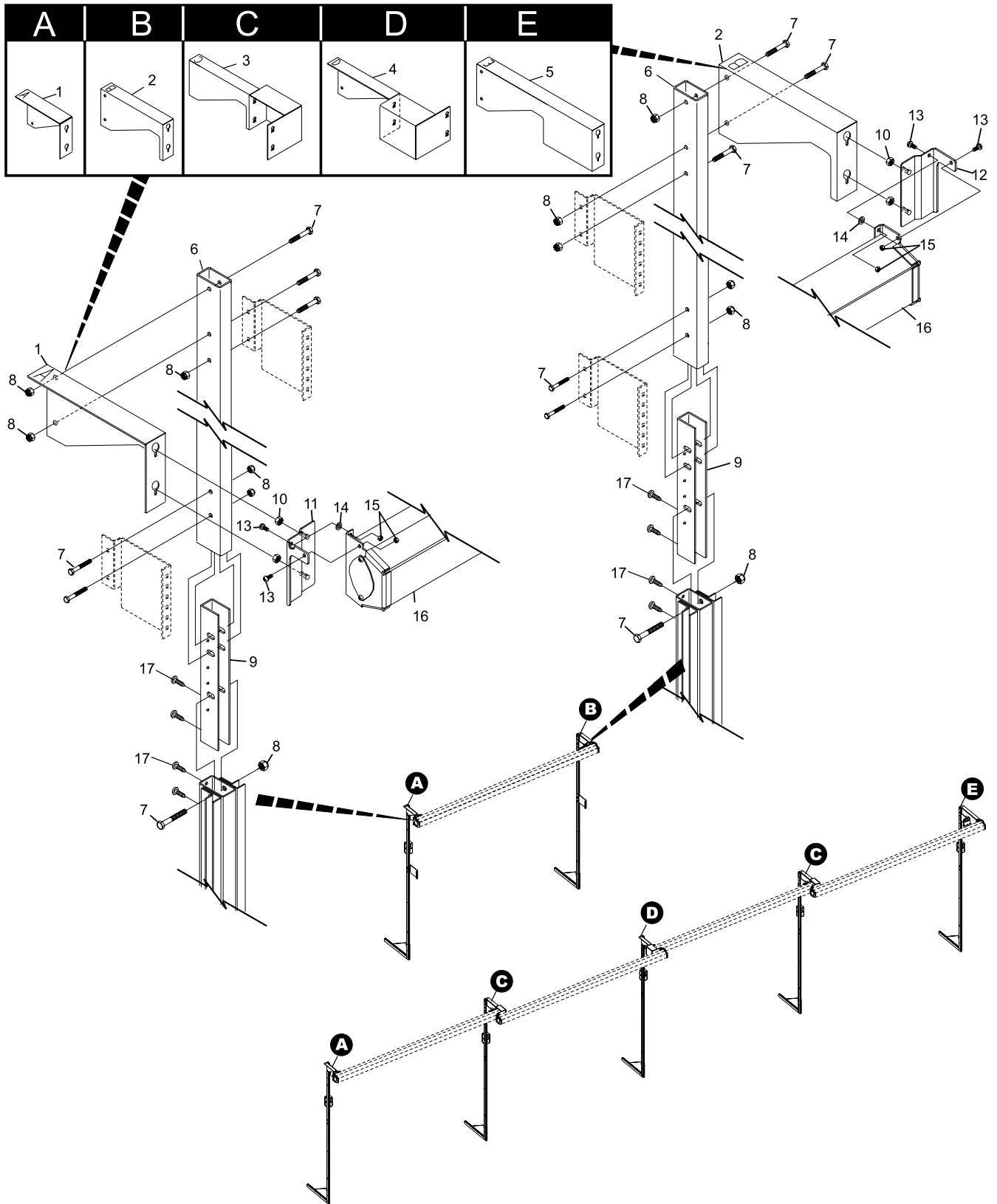
Index

No.	Part No.	Description
1.	53-300403-000	Projector Screen Bracket "A"
2.	53-300404-000	Projector Screen Bracket "B"
3.	53-300398-000	Projector Screen Bracket "C"
4.	53-300399-000	Projector Screen Bracket "D"
5.	53-300405-000	Projector Screen Bracket "E"
6.	53-300401-000	N.A. Upper Support
7.	11-024295-000	N.A. Screw Hex Head (1/4-20 x 1-3/4")
8.	11-170007-001	Hex Nut Nylok (1/4-20)
9.	53-300402-000	N.A. Insert Tube Support
10.	11-170052-001	N.A. Flange Nut (1/4-20)
11.	53-300394-000	N.A. L.H. Screen Mounting Bracket
12.	53-300393-000	N.A. R.H. Screen Mounting Bracket
13.	11-024289-001	N.A. Screw Pan Head (1/4-20 x 3/4")
14.	11-070052-001	N.A. Washer (1/4)
15.	11-170007-001	Locknut (1/4-20)
16.	53-862355-230	Projector Screen - 230V
	53-862355-115	Projector Screen - 115V
17.	11-010812-001	Hex Head Self Tapping Screw (1/4-14 x 3/4")

N.A. = No Longer Available

Masking Unit Projection Screen

PROJECTOR SCREEN BRACKETS



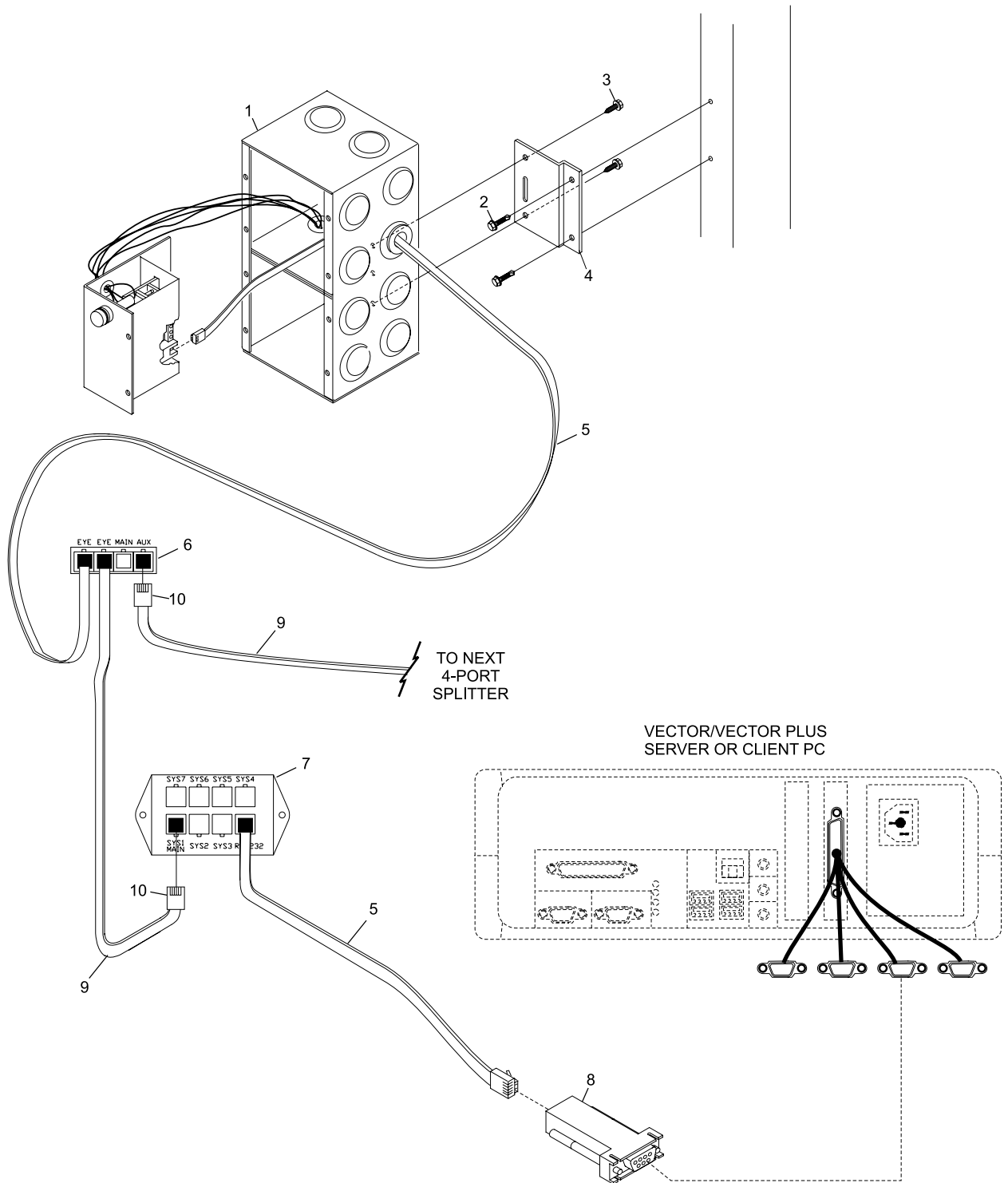
Masking Unit Projection Screen

Index

No.	Part No.		Description
1.	53-300408-115		Controller - 115VAC
	53-300408-230		Controller - 230VAC
2.	11-010812-001	N.A.	Self Tapping Screw (1/4-14 x 3/4")
3.	11-010817-001	N.A.	Screw (#10-16 x 1/2")
4.	53-300407-000	N.A.	Controller Mounting Bracket
5.	53-300406-000		Data Cable (60")
6.	53-300417-000		4-Port Splitter
7.	53-300411-000		8-Port Splitter
8.	53-300412-000		DB9/RJ-11 Adapter
9.	27-619066-000		Bulk Cable (Per Foot)
10.	53-862203-000		RJ-11 Connector Pkg. (3 Pieces)

N.A. = No Longer Available

Masking Unit Projection Screen Controller

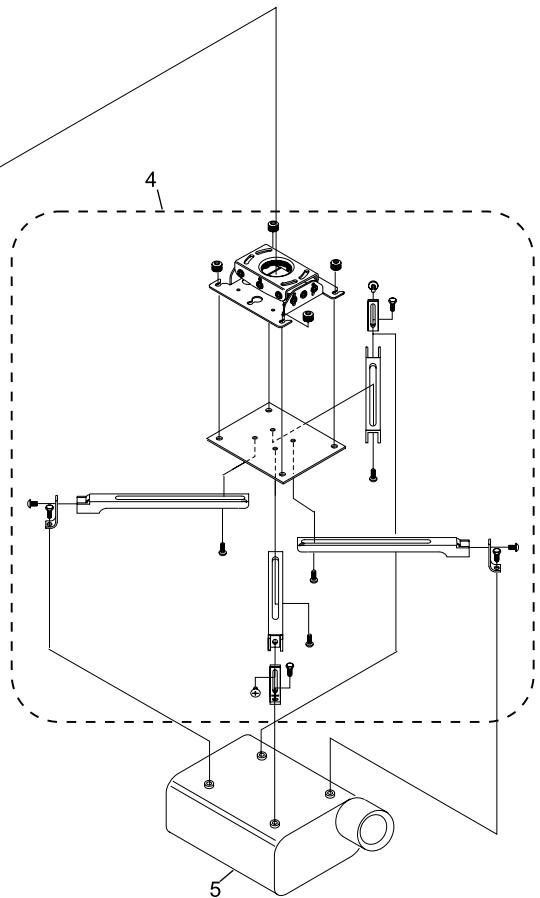
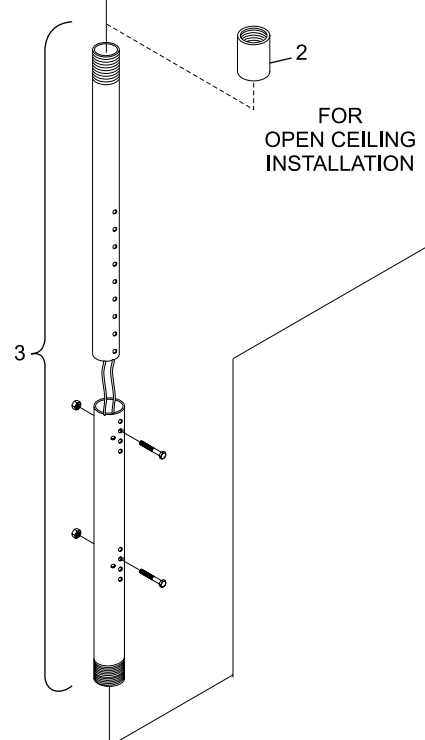
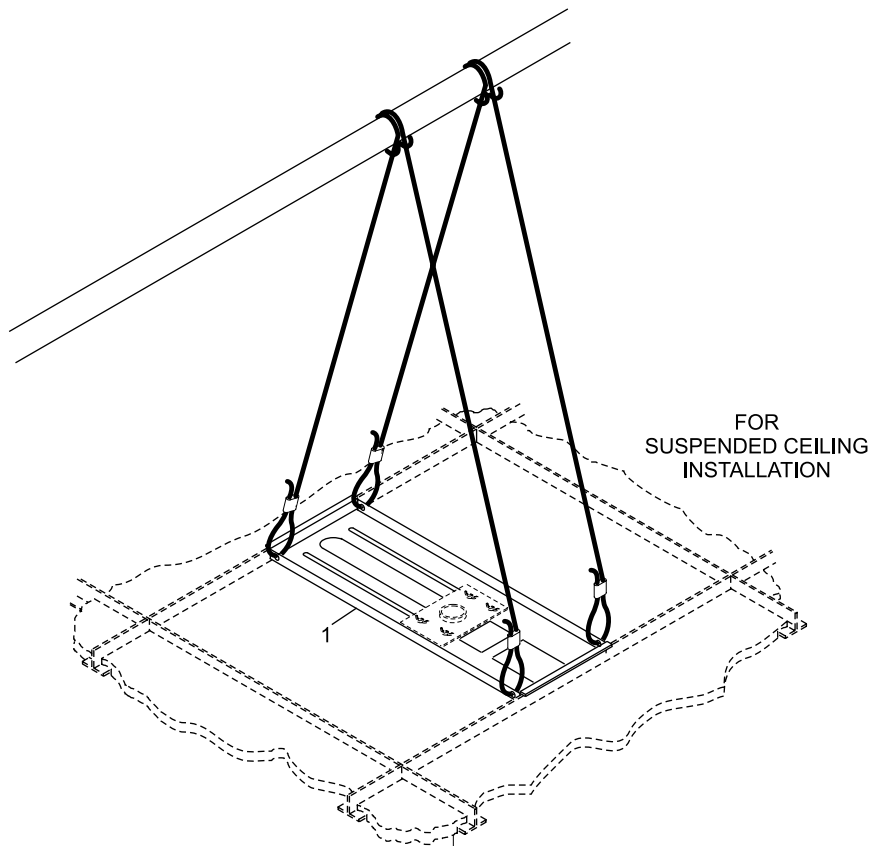


Masking Unit Projection Screen Controller

Index

No.	Part No.	Description
1.	53-862216-000	Suspended Ceiling Kit
2.	53-862299-000	Threaded Pipe Coupler - for open ceiling installations
3.	53-862379-000	Adjustable Column Tube
4.	53-862218-000	Projector Mount
5.	53-862376-000	N.A. Projector (TDP-TW355V)
	53-862592-000	R.O. Projector (TDP-TW420V)

N.A. = No Longer Available
R.O. = Replacement Option

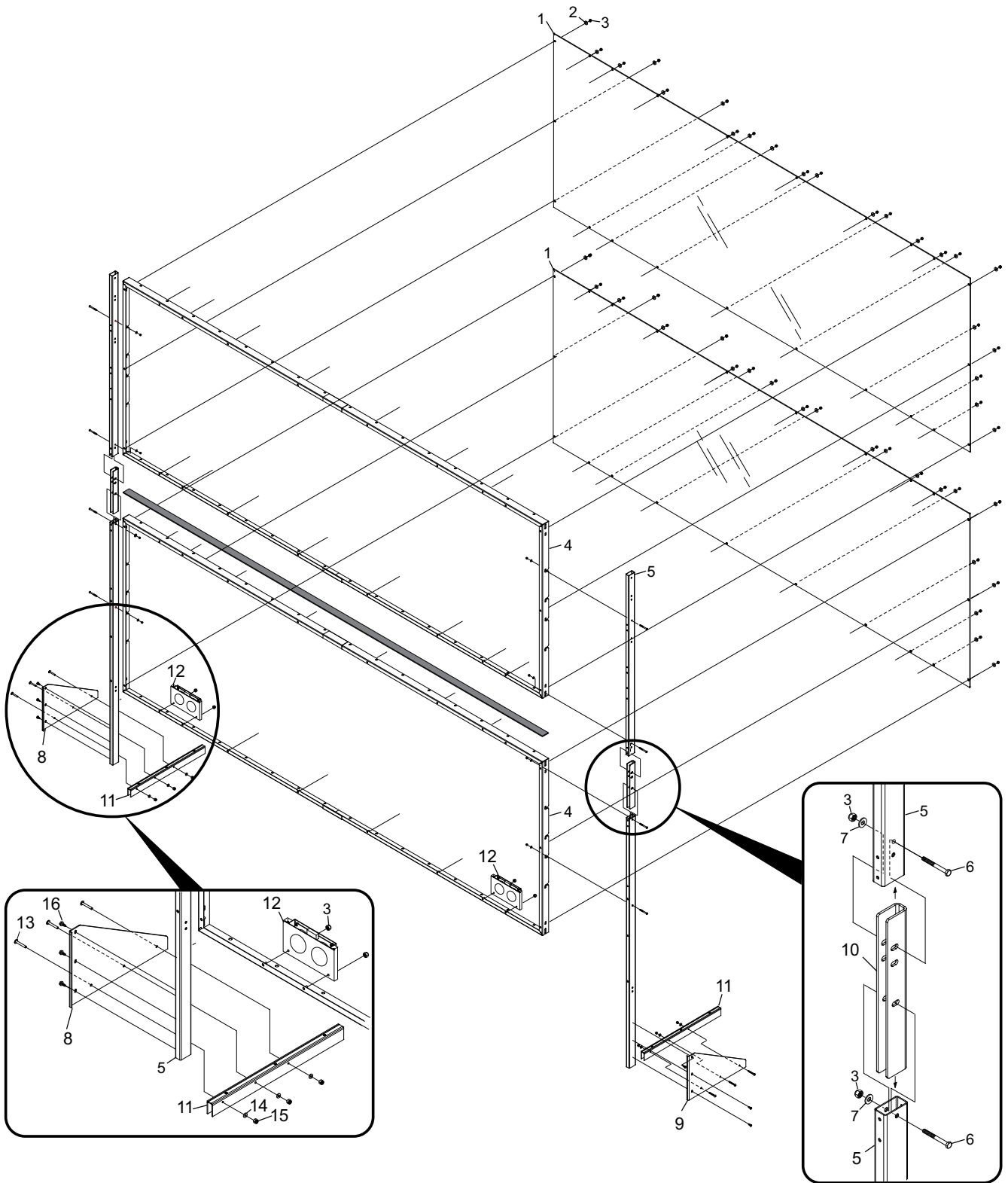


Masking Unit Projector

Index

No.	Part No.	Description
1.	53-300125-000	Lane Pair Acrylic Panel
2.	11-052037-001	Flat Washer
3.	11-051743-001	Locknut
4.	53-300120-000	Frame
5.	53-300368-000	Upright w/extra unneeded parts
	53-300351-000	Upright
6.	11-051014-001	Hex Head Cap Screw
7.	11-052037-001	Flat Washer
8.	53-300389-002	Left Hand Gusset
9.	53-300389-001	Right Hand Gusset
10.	53-300402-000	Splice Upright
11.	53-300390-000	Foot
12.	53-300123-000	1st and 2nd ball light Unit LED
13.	11-024295-015	Button Head Cap Screw
14.		Flat Washer
15.		Locknut
16.	11-010812-001	Hex Head Self DrillingScrew (#10 x 1")

Clear Masking Unit



Clear Masking Unit