

Section L

**POWER LIFT HOODS**

**Index**

<b>No.</b>	<b>Part No.</b>	<b>Description</b>
1.	11-001262-001	Hex Hd. Cap Screw (5/16-18 x 3/4")
2.	11-170009-001	Self Locking Nut (5/16-18 x 3/4")
3.	11-534514-000	N.A. Retaining Ring
4.	11-440010-000	N.A. Nylon Bearing
5.	N.A.	Switch Actuator Assembly
6.	N.A.	Support Bracket
7.	11-013012-000	N.A. Sltd. Pan Hd. Machine Screw (4-40 x 1-1/8")
8.	11-199000-001	Internal Tooth Lockwasher (#4)
9.	17-200185-000	N.A. Spring
10.	11-616016-000	N.A. Switch
11.	N.A.	Spacer
12.	10-616051-000	Nut Plate (4-40)
13.	11-693018-000	N.A. Diode LED
14.	N.A.	Pinfall Display PCB - Complete (See Note)
15.	N.A.	Push Button Switch
16.	11-014032-009	C.R. Flat Hd. Machine Screw (6-32 x 1-1/4")
17.	10-386115-000	Spacer (7/32 x 3/8)
18.	53-100417-000	N.A. Glass Face (for Units w/Reset Switch)
	53-100417-020	N.A. Glass Face (for Units w/o Reset Switch)
	53-100488-000	Glass Face (for Non-Pinfinder)
19.	N.A.	Face Panel Only
20.	11-135501-000	Well Nut (6-32)
21.	10-616058-000	Nut Plate (8-32)
22.	N.A.	Latch
23.	11-190539-001	Flat Washer
24.	11-024127-001	C.R. T. Hd. Machine Screw (8-32 x 1/2")
25.	N.A.	Exit Switch Assembly - Complete
26.	11-042606-001	C.R. R. Hd. Wood Screw (#14 x 1")
27.	11-006256-000	N.A. B. Socket Hd. Wood Screw (5/16-18 x 3/8")
28.	N.A.	Hood and Base Assembly (One Piece)
29.	*11-131007-001	N.A. Self Threading Nut (1/4-20)
30.	53-100440-000	N.A. Name Plate - "Brunswick"
31.	53-100491-000	N.A. Hood and Base Assembly - Complete
32.	N.A.	C.R. Flat Hd. Wood Screw (#6 x 1/2")
33.	N.A.	Hood Extrusion
34.	53-100455-000	Hood Guide
35.	N.A.	Hood Base Support
36.	11-081017-001	Self Tapping Hex Hd. Washer Screw (#10 x 5/8")
37.	53-860708-000	N.A. Pinfall Display PCB - Complete (See Note)
38.	N.A.	Shim (As Required)
39.	N.A.	Universal Pinfinder PCB - Complete (See Note)
40.	N.A.	Butterfly Keyboard - Complete
41.	N.A.	Player Control PCB - Complete
42.	11-185276-000	N.A. Round Spacer (.17 I.D. x 1/4 O.D. x 3/8L)
43.	11-192011-000	N.A. Nylon Washer
44.	11-125003-001	Hex Nut (8-32)
45.	11-652052-000	N.A. Rubber Washer (3/16)
46.	11-190004-001	Flat Washer
47.	11-176007-001	Keps Nut w/Lockwasher (8-32)
48.	N.A.	Player Control Station - Complete

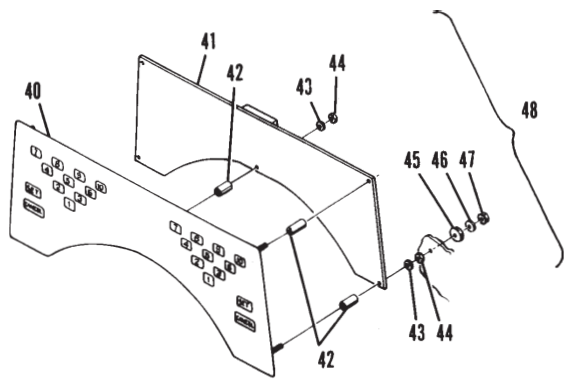
*N.A. = No Longer Available*

\* Order 11-170000-000 Locknut and 11-190010-001 Flat Washer as a replacement option for index 29.

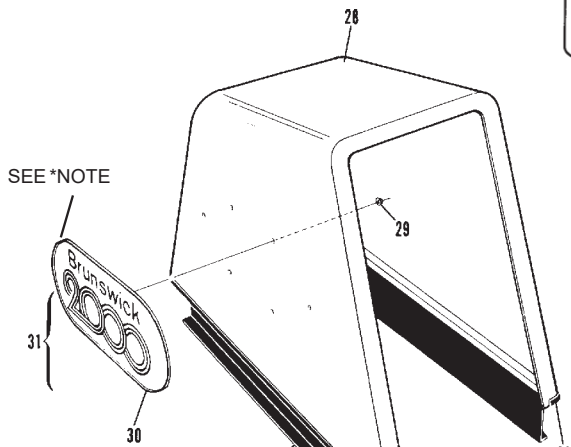
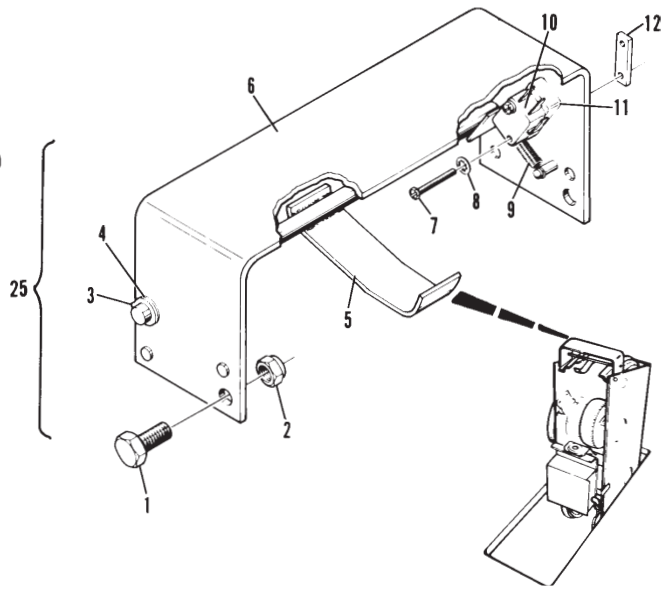
NOTE: Rebuilt PCB assemblies are available on a direct exchange basis. Your defective board assembly should be packaged and a copy of Brunswick Order Form (900.06) included to identify your center and shipped to:

Attn: Electronic Repair Center  
 Brunswick Corporation  
 525 W. Laketon Avenue  
 Muskegon, MI 49443

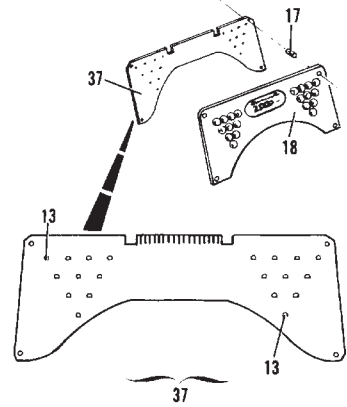
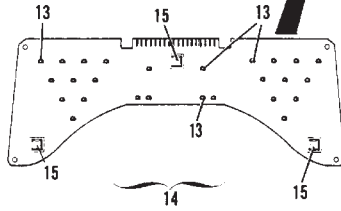
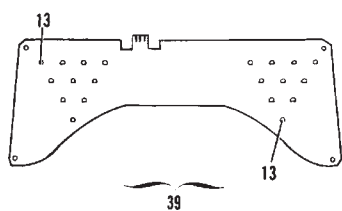
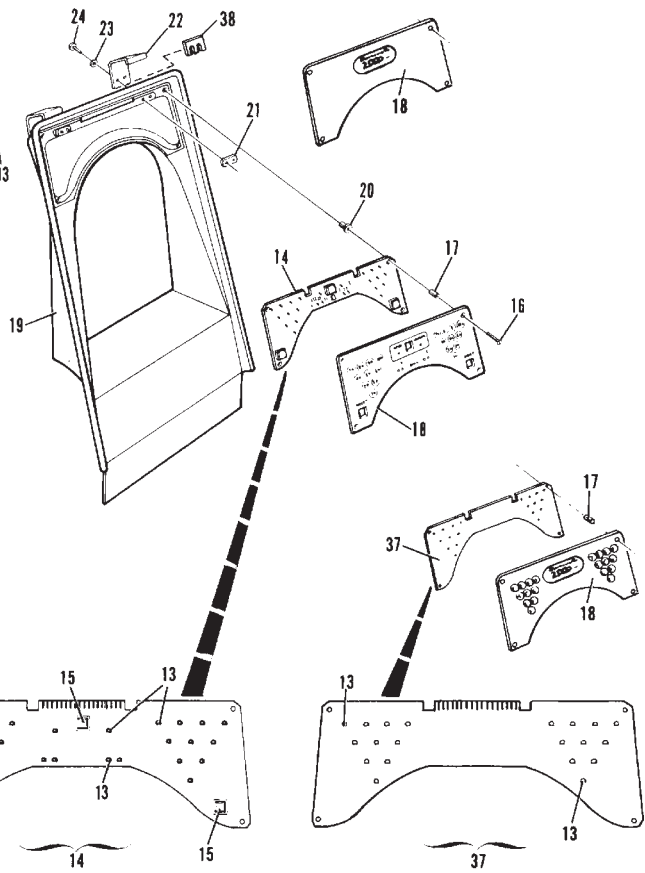
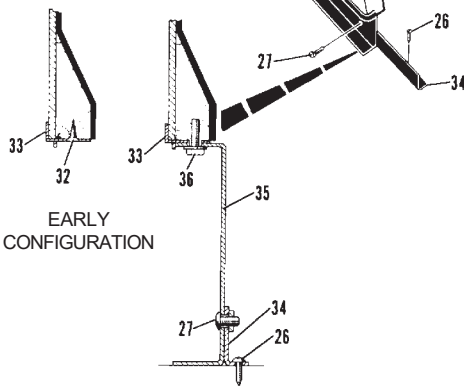
## "2000" Ball Lift Hood



PLAYER CONTROL STATION FOR GS-10 PINSETTER



EARLY CONFIGURATION



## "2000" Ball Lift Hood

**Index**

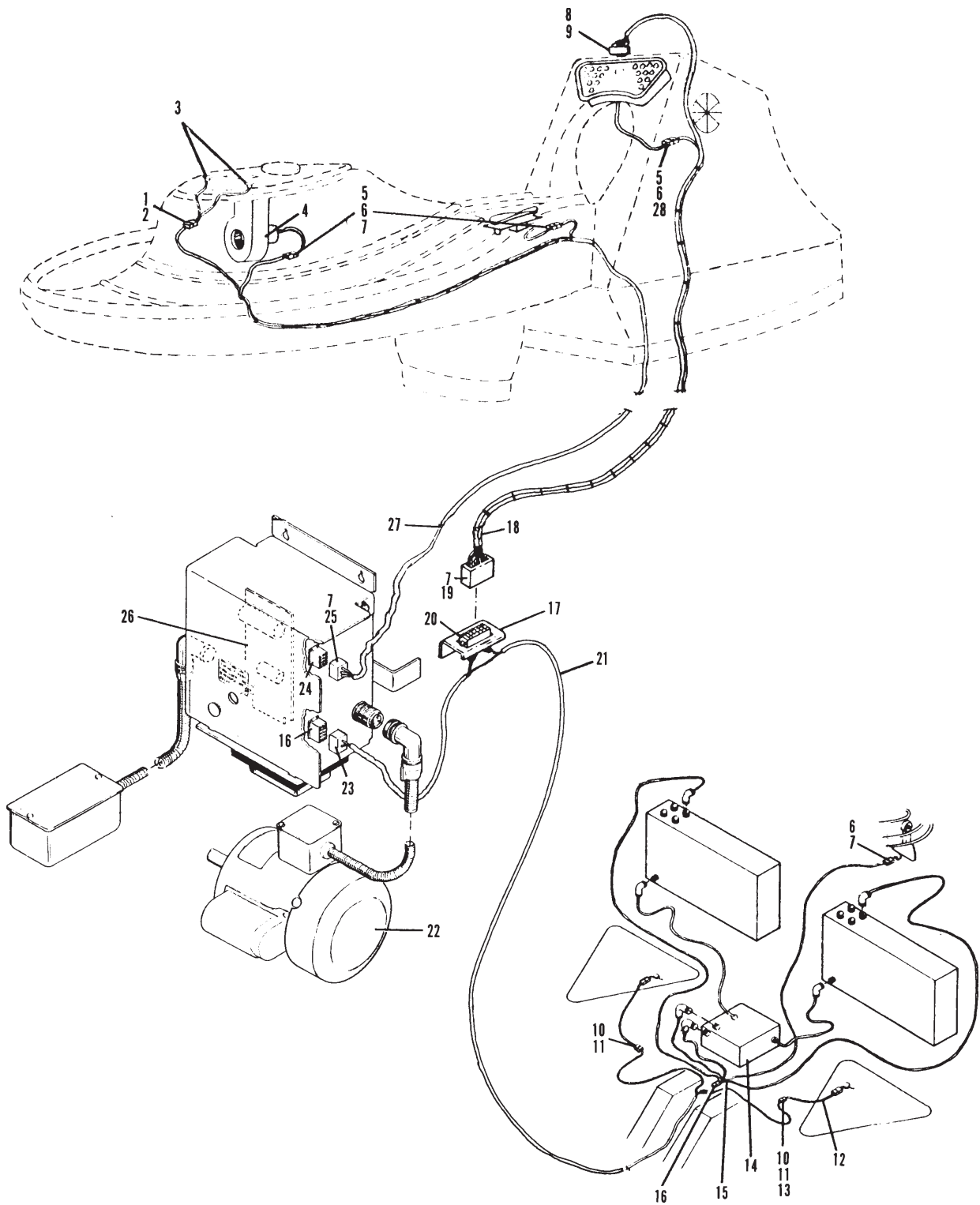
<b>No.</b>	<b>Part No.</b>		<b>Description</b>
1.	11-680105-000	N.A.	Connector Plug (4 Contacts)
2.	11-680205-000	N.A.	Receptacle (4 Contacts)
3.	11-615014-000		Reset Button
4.	N.A.		Blower Assembly (24V)
5.	11-680101-000		Connector Plug (3 Contacts)
6.	11-680201-000		Receptacle (3 Contacts)
7.	11-680302-000	N.A.	Terminal
	57-860032-000	R.O.	Terminal - Male (Pkg. of 10)
8.	N.A.		Edge Connector (22 Contacts)
9.	11-680303-000	N.A.	Terminal - Male
10.	11-680003-000	N.A.	Connector Plug (12 Contacts)
11.	11-612301-000		Contact
12.	12-750431-000	N.A.	Deck Switch Cable Assembly (w/o Automatic Scorers)
	N.A.		Deck Switch Cable Assembly (w/ Automatic Scorers)
13.	11-680503-000	N.A.	Connector (12 Contacts)
14.	12-502335-000		Control Box Assembly
15.	N.A.		Cable Assembly
16.	N.A.		Receptacle (15 Contacts)
17.	N.A.		Mounting Bracket
18.	N.A.		Cable Assembly
19.	N.A.		Connector Plug (36 Contacts)
20.	N.A.		Receptacle (36 Contacts)
21.	N.A.		Cable Assembly
22.	53-860322-010		Motor (1/4 H.P., 115/230V, 50/60 Hz) - Subway Return
	53-529999-000		Motor (1/3 H.P., 110/220V, 115/230V, 50/60 Hz) - Subway Return - 115/230V,
23.	N.A.		Connector Plug (15 Contacts)
24.	N.A.		Receptacle (12 Contacts)
25.	11-680108-000		Connector Plug (12 Contacts)
26.	N.A.		PCB Assembly - Complete (See Note)
27.	N.A.		Cable Assembly - Orbital
	N.A.		Cable Assembly - Linear
28.	11-680301-000	N.A.	Terminal
	57-860031-000	R.O.	Terminal - Female (Pkg. of 20)

*N.A. = No Longer Available*

NOTE: Rebuilt PCB assemblies are available on a direct exchange basis. Your defective board assembly should be packaged and a copy of Brunswick Order Form (900.06) included to identify your center and shipped to:

Attn: Electronic Repair Center  
 Brunswick Corporation  
 525 W. Laketon Avenue  
 Muskegon, MI 49443

## Universal Voltage Ball Return System



## Universal Voltage Ball Return System

**Index**

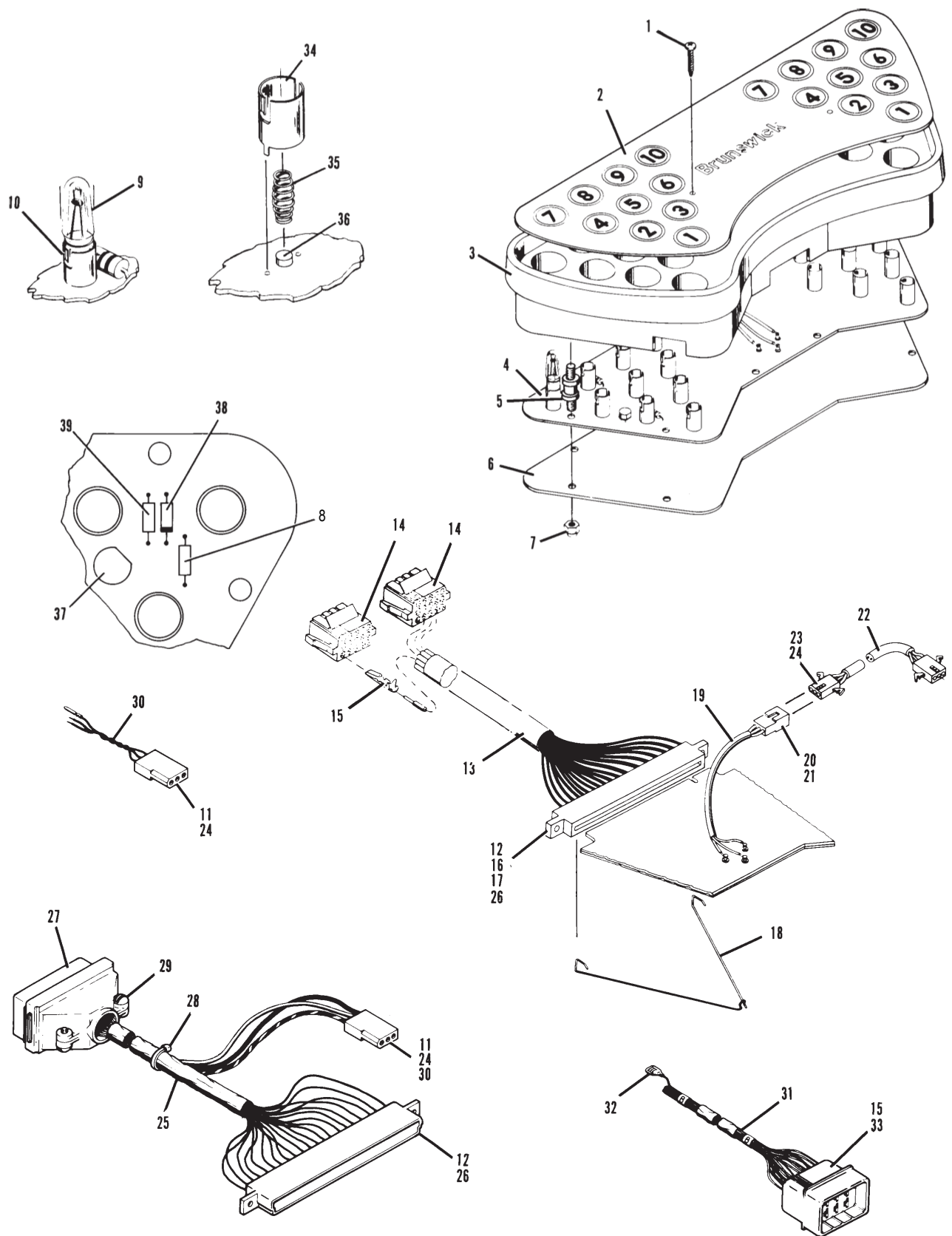
<b>No.</b>	<b>Part No.</b>		<b>Description</b>
1.	N.A.		C. R. Pan Hd. Machine Screw (8-32 x 3/8")
2.	N.A.		Cover Glass
3.	N.A.		Bezel (Astroline Gray)
	N.A.		Bezel (Astro 2 White)
4.	N.A.		PCB Assembly - Complete (See Note)
5.	N.A.		Rubber Mount
6.	N.A.		Guard
7.	11-170004-001		Self Locking Nut (8-32)
8.	11-691098-000	N.A.	Resistor
9.	N.A.		Lamp #47
10.	N.A.		Lampholder
11.	11-680201-000		Receptacle (3 Contacts)
12.	11-680303-000	N.A.	Terminal
13.	N.A.		Cable Assembly
14.	11-680003-000	N.A.	Connector Plug (12 Circuits)
15.	11-612301-000		Contact
16.	N.A.		Connector - (Blue)
17.	N.A.		Contacts (for Blue Connector)
18.	N.A.		Spring Clip (for Blue Connector)
	N.A.		Spring Clip (for White Connector)
19.	N.A.		Cable Assembly (8")
20.	11-680101-000		Connector Plug (3 Contacts)
21.	11-680302-000	N.A.	Terminal
	57-860032-000	R.O.	Terminal - Male (Pkg. of 10)
22.	N.A.		Cable Assembly (144")
23.	11-680203-000		Receptacle (3 Contacts)
24.	11-680301-000	N.A.	Terminal
	57-860031-000	R.O.	Terminal - Female (Pkg. of 20)
25.	N.A.		Cable Assembly - Complete
26.	N.A.		Edge Connector (22 Contacts)
27.	N.A.		Connector Plug (36 Contacts)
28.	11-603108-000	N.A.	Cable Tie (3-5/8)
29.	N.A.		Sltd. Rd. Hd. Machine Screw (6-32 x 5/16")
30.	N.A.		Cable Assembly
31.	N.A.		R.H. Pinfinder Adapter Cable
	N.A.		L.H. Pinfinder Adapter Cable
32.	11-612253-000	N.A.	Faston Connector
33.	11-680503-000	N.A.	Connector (12 Circuits)
34.	N.A.		Shell
35.	N.A.		Spring
36.	N.A.		Rivet
37.	N.A.		Transistor
38.	11-693004-000	N.A.	Diode
39.	N.A.		Resistor

*N.A. = No Longer Available*

NOTE: Rebuilt PCB assemblies are available on a direct exchange basis. Your defective board assembly should be packaged and a copy of Brunswick Order Form (900.06) included to identify your center and shipped to:

Attn: Electronic Repair Center  
 Brunswick Corporation  
 525 W. Laketon Avenue  
 Muskegon, MI 49443

## **Pinfall Display Assembly**



### Pinfall Display Assembly

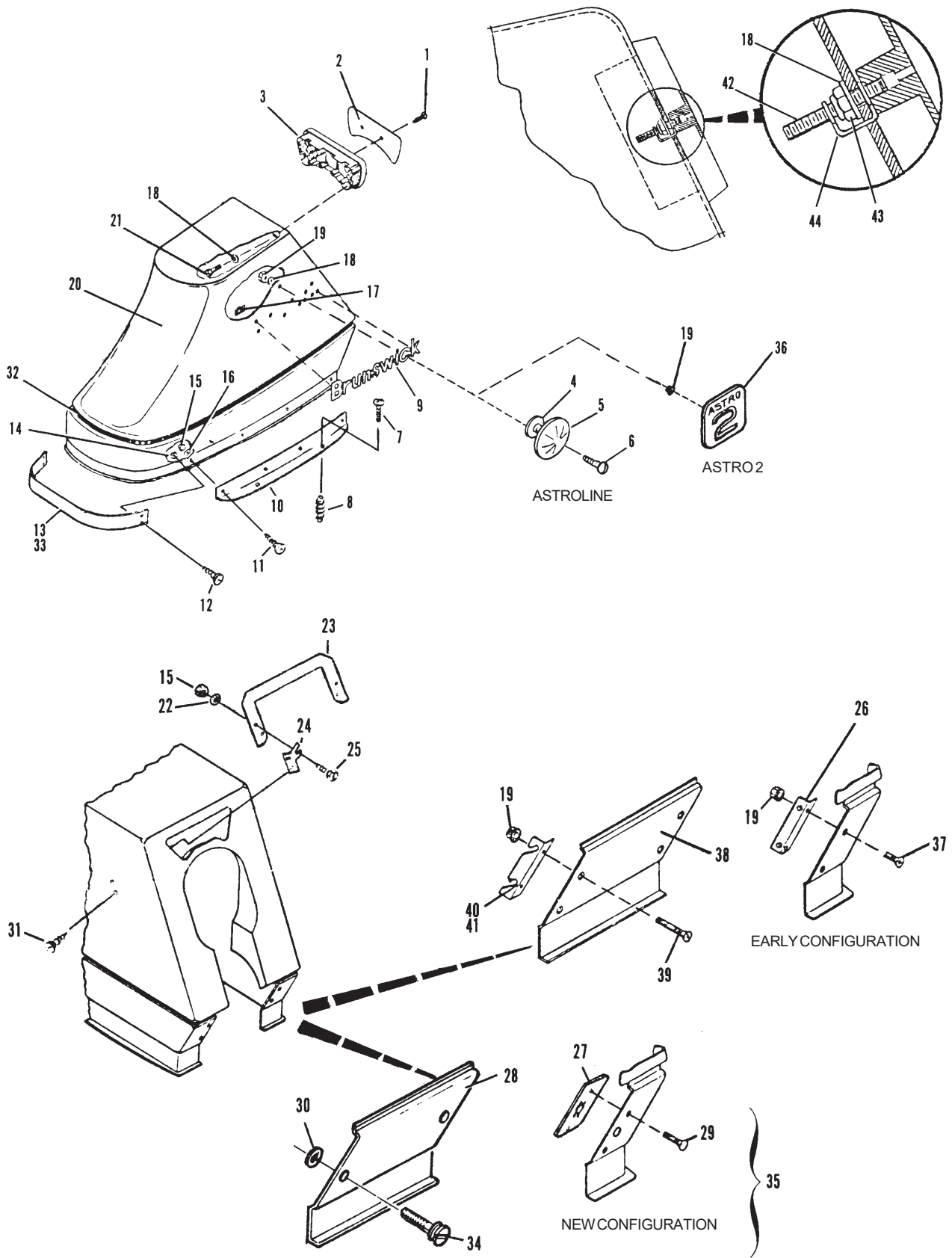
Index			Index		
No.	Part No.	Description	No.	Part No.	Description
1.	N.A.	C. R. Pan Hd. Machine Screw (8-32 x 3/8")	23.	N.A.	Hood Stabilizer
2.	N.A.	Cover Glass	24.	N.A.	Mounting Bracket
3.	N.A.	Bezel (Astroline Gray)	25.	11-001186-001	Hex Hd. Cap Screw (1/4-20 x 1-1/4")
4.	N.A.	Bezel (Astro 2 White)	26.	N.A.	Hood Bracket
5.	53-520078-003	N.A. Shim	27.	N.A.	Receptacle
5.	N.A.	Blue Emblem	28.	N.A.	Door Assembly (Astroline Gray)
	N.A.	Yellow Emblem		N.A.	Door Assembly (Astro 2 Brown)
	N.A.	Orange Emblem	29.	N.A.	Pop Rivet (1/8)
	N.A.	Green Emblem	30.	N.A.	Retainer
6.	N.A.	Ribbed Neck Carriage Bolt (10-24 x 1-1/2")	31.	N.A.	Self Tapping C.R. Flat Hd. Screw (#6 x 1/2")
7.	N.A.	C.R. T. Hd. Machine Screw w/Nylok (5/16-18 x 3/4")	32.	N.A.	Black Plastic Tape (3/8") - Roll
8.	N.A.	Taplok Insert (5/16-18)		N.A.	Blue Plastic Tape (3/8") - Roll
9.	N.A.	Name Plate (Astroline Gray)	33.	*11-676027-000	N.A. Cement (Pint) - Used w/index No. 13
10.	N.A.	Name Plate (Astro 2 Blue)		11-676047-000	Cement (Gallon)
10.	N.A.	Mounting Bracket	34.	N.A.	Screw Fastener
11.	11-026289-011	N.A. C.R. Oval Hd. Machine Screw (1/4-20 x 1")	35.	N.A.	Door Modification Kit (Astroline Gray Only)
12.	N.A.	C.R. T. Hd. Machine Screw (8-32 x 3/4")	36.	N.A.	Astro 2 Emblem
13.	N.A.	Base Moulding (Linear Feet)	37.	N.A.	C.R. Flat Hd. Machine Screw (10-24 x 3/4")
14.	11-170004-001	Self Locking Nut (8-32)	38.	N.A.	Fibreglass Door
15.	11-170007-001	Self Locking Nut (1/4-20)	39.	11-014082-001	N.A. C.R. Flat Hd. Machine Screw (10-24 x 3/8")
16.	11-190010-001	Flat Washer (1/4)	40.	N.A.	R.H. Door Bracket - Opposite
17.	N.A.	Push On Fastener	41.	N.A.	L.H. Door Bracket - Shown
18.	11-190006-001	Flat Washer (#10)	42.	N.A.	Set Screw (10-24 x 1-1/4")
19.	11-176006-001	Keps Nut (10-24)	43.	11-170104-001	Self Locking Nut (10-24)
20.	N.A.	Hood Only (Astroline Gray)	44.	N.A.	Retainer Wire
20.	N.A.	Hood Only (Astro 2 White)			
21.	N.A.	Hex Hd. Cap Screw (10-24 x 1/2")			
22.	11-190508-001	Flat Washer			

N.A. = No Longer Available

\* Not Illustrated

## Subway Return Power Lift Hood





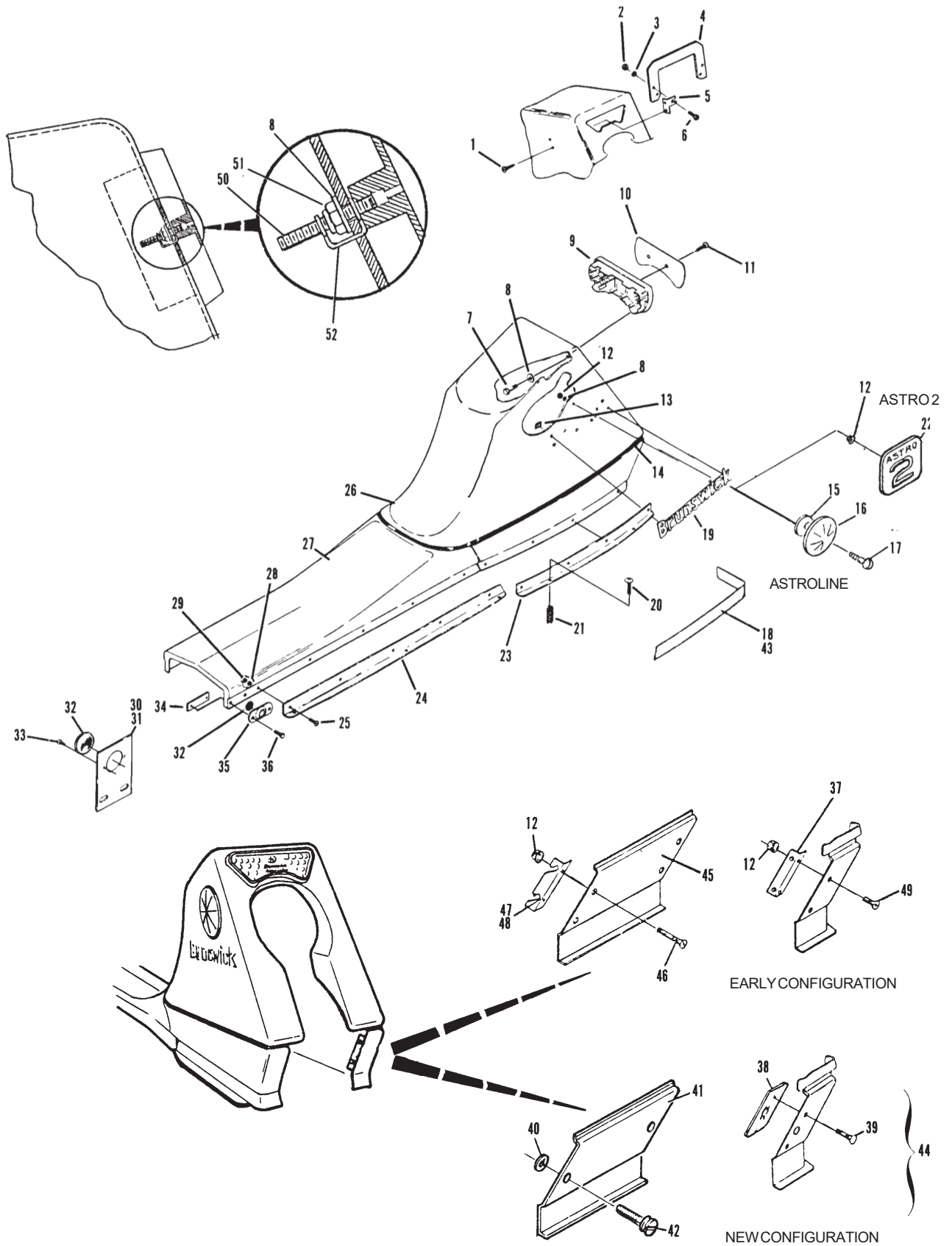
**Subway Return Power Lift Hood**

Index			Index		
No.	Part No.	Description	No.	Part No.	Description
1.	N.A.	Self Tapping C.R. Flat Hd. Screw (#6 x 1/2")	27.	N.A.	Rear Hood (Astroline Gray)
2.	11-170007-001	Self Locking Nut (1/4-20)	28.	N.A.	Rear Hood (Astro 2 Brown)
3.	11-190508-001	Flat Washer	29.	11-190010-001	Flat Washer (1/4)
4.	N.A.	Hood Stabilizer	30.	11-170106-001	Self Locking Nut (1/4-20)
5.	N.A.	Mounting Bracket		53-600074-000	N.A. Reflector and Bracket Assembly
6.	11-001186-001	Hex Hd. Cap Screw (1/4-20 x 1-1/4")		53-860299-000	R.O. Upgrade to Tel-E-Foul Reflector Pkg.
7.	11-001058-001	N.A. Hex Hd. Cap Screw (10-24 x 1/2")	31.	53-600073-000	N.A. Bracket Only
8.	11-190006-001	Flat Washer (#10)	32.	53-600101-000	N.A. Reflector Only
9.	N.A.	Bezel (Astroline Gray)	33.	11-024524-001	N.A. C.R. T. Hd. Machine Screw w/Nylok (6-32 x 5/16")
	N.A.	Bezel (Astro 2 White)	34.	N.A.	Twin Pilot Nut (8-32)
10.	N.A.	Cover Glass	35.	N.A.	Bracket Only
11.	N.A.	C.R. Pan Hd. Machine Screw (8-32 x 3/8")	36.	11-024127-001	C.R. T. Hd. Machine Screw (8-32 x 1/2")
12.	11-176006-001	Keps Nut (10-24)	37.	N.A.	Hood Bracket
13.	N.A.	Push On Fastener	38.	N.A.	Receptacle
14.	N.A.	Black Plastic Tape (3/8") - Roll	39.	N.A.	Pop Rivet (1/8)
	N.A.	Blue Plastic Tape (3/8") - Roll	40.	N.A.	Retainer
			41.	N.A.	Door Assembly (Astroline Gray)
15.	53-520078-003	N.A. Shim		N.A.	Door Assembly (Astro 2 Brown)
16.	N.A.	Blue Emblem	42.	N.A.	Screw Fastener
	N.A.	Yellow Emblem	43.	*11-676027-000	N.A. Cement (Pint)- to be used w/index number 18
	N.A.	Orange Emblem		11-676047-000	Cement (Gallon)
	N.A.	Green Emblem	44.	N.A.	Door Modification Kit (Astroline Gray Only)
17.	N.A.	Ribbed Neck Carriage Bolt (10-24 x 1-1/2")	45.	N.A.	Fibreglass Door
18.	N.A.	Base Moulding (Linear Feet)	46.	11-014082-001	C.R. Flat Hd. Machine Screw (10-24 x 3/8")
19.	N.A.	Name Plate (Astroline Gray)	47.	N.A.	R.H. Door Bracket - Opposite
20.	N.A.	C.R. T. Hd. Machine Screw w/Nylok (5/16-18 x 3/4")	48.	N.A.	L.H. Door Bracket - Shown
21.	N.A.	Taplok Insert (5/16-18)	49.	N.A.	C.R. Flat Hd. Machine Screw (10-24 x 3/4")
22.	N.A.	Astro 2 Emblem	50.	N.A.	Set Screw (10-24 x 1-1/4")
23.	N.A.	Mounting Bracket	51.	11-170104-001	Self Locking Nut (10-24)
24.	N.A.	L.H. Mounting Bracket - Shown	52.	N.A.	Retainer Wire
	N.A.	R.H. Mounting Bracket - Opposite			
25.	N.A.	C.R. Oval Hd. Machine Screw (1/4-20 x 3/4")			
26.	N.A.	Front Hood (Astroline Gray)			
	N.A.	Front Hood (Astro 2 White and Brown)			

N.A. = No Longer Available  
R.O. = Replacement Option

\* Not Illustrated

## Concealed Surface Hood



### Concealed Surface Hood

**Index**

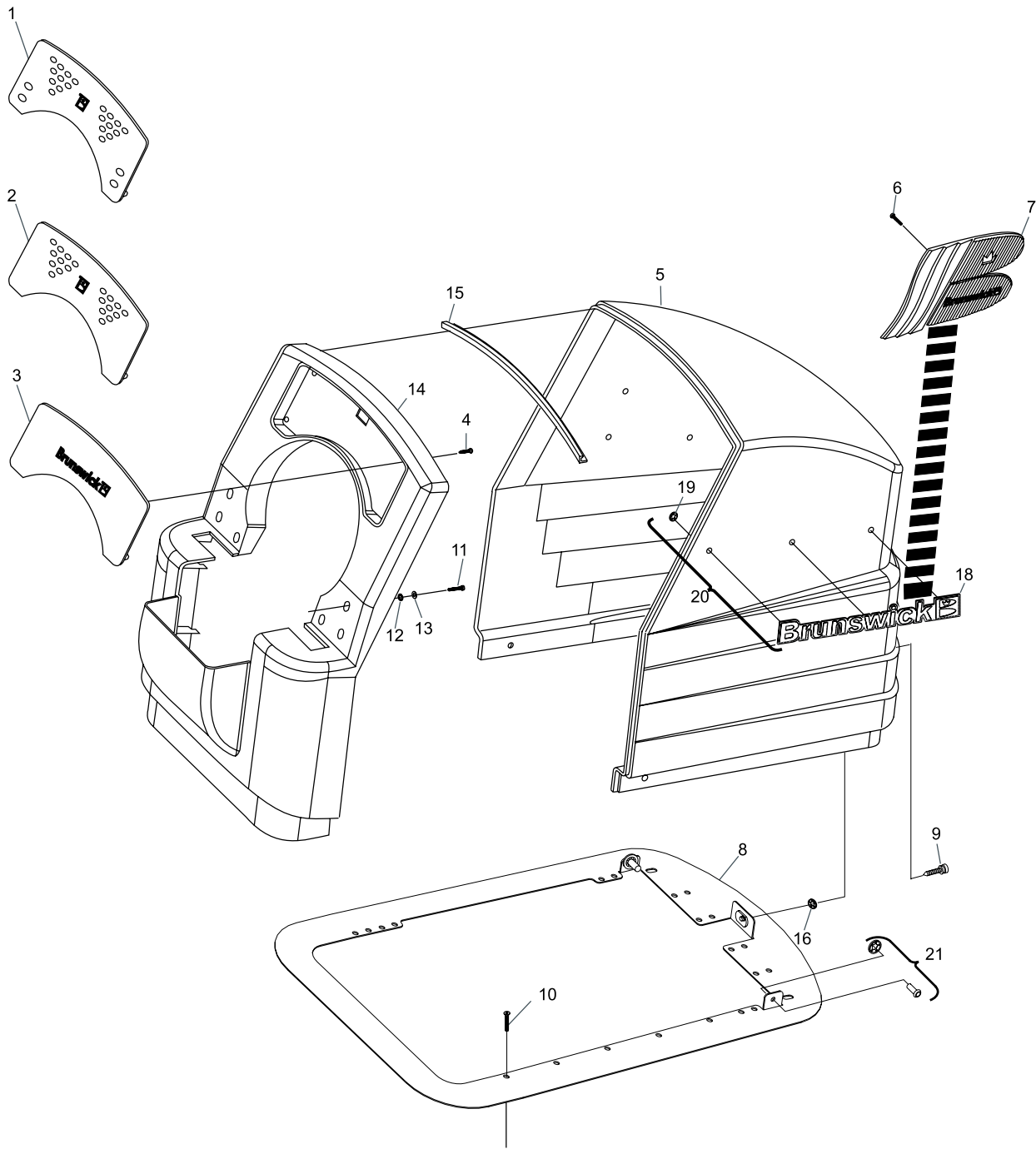
<b>No.</b>	<b>Part No.</b>		<b>Description</b>
1.	53-400052-000	N.A.	Player Control Station
2.	53-400053-000	N.A.	Pinfall Display
3.	*53-400009-XXX		Throat Decorative Insert (Dark Gray w/Silver)
	53-400009-229		Throat Decorative Insert (Graphite w/Silver)
	53-400009-205	N.A.	Throat Decorative Insert (Black w/Black Logo)
	53-400027-002	R.O.	Throat Decorative Insert (Black) Less Color
4.	11-082685-001		Pan Hd. C.R. Tap Screw (#12-14 x 1/2")
5.	53-861034-002		Ball Return Hood Assembly (includes Index No. 15) - Silver
	53-860937-000		Ball Return Hood Assembly (Gray) includes Index No. 15
	53-861034-205		Ball Return Hood Assembly (Black) includes Index No. 15
6.	11-082683-001		Type "B" C.R. Pan Hd. Screw (#10-16 x 3/8")
7.	*53-400048-xxx		Side Logo Assembly
	53-400048-227		Side Logo Assembly (Black)
8.	53-866035-000	S.O.	Flange - Ball Lift Hood includes Index Nos. 10, 9, and 16 (Dark Gray)
	53-866035-003		Flange - Ball Lift Hood includes Index Nos. 10, 9, and 16 (Graphite)
9.	11-690544-000		Knurled Captive Screw (1-1/2")
10.	11-081201-000		Robertson Flat Hd. Socket Screw (#10 x 1-1/2")
11.	11-001182-001		Hex Head Cap Screw (1/4-20 x 3/4")
12.	11-195014-001		Lockwasher (1/4")
13.	11-191010-001		Flat washer (1/4")
14.	53-861126-000		Pkg. Throat (Dark Grey) - includes Index No.15
	53-861126-003		Pkg. Throat (Graphite) - includes Index No.15
	53-861126-205		Pkg. Throat (Black) - includes Index No.15
15.	53-400044-000		Hood Lip Trim
16.	11-690545-000		Captive Screw Retainer
17.	*53-861090-XXX		Ball Return Color Kit (includes Index Nos. 3 and 7, wear strip, ball rail extrusion and decal vent. Not Illustrated
	53-861122-002		Color Kit (Graphite w/Silver)
	53-861090-227		Color Kit (Dark Gray w/Silver)
18.	53-400092-000	N.A.	Brunswick Side Logo Assembly (designed for Black Hoods and Silver Hoods only) - See Index #20
19.	11-532001-009	N.A.	Retaining Clip - See Index #20
20.	53-860648-000		Pkg. - Brunswick Side Plate Logo (includes 3 Retaining Clips 11-532001-009) part not sold separately
21.	53-520723-000		Ball Lift Hood Retainer & Clip (Pkg. of 2)

S.O. = *Special Order*  
 N.A. = *No Longer Available*  
 R.O. = *Replacement Option*

\* Color Chart

Part No. Suffix	Primary Color	Secondary Color
-002	BLACK	less Color
-220	BLUEBERRY	BANANA accent
-221	KIWI	BLUEBERRY accent
-222	CRANBERRY	BANANA accent
-223	GRAPE	KIWI accent
-224	BANANA	GRAPE accent
-225	STRAWBERRY	BANANA accent
-229	GRAPHITE	SILVER accent

**Framework Hood**



## Framework Hood

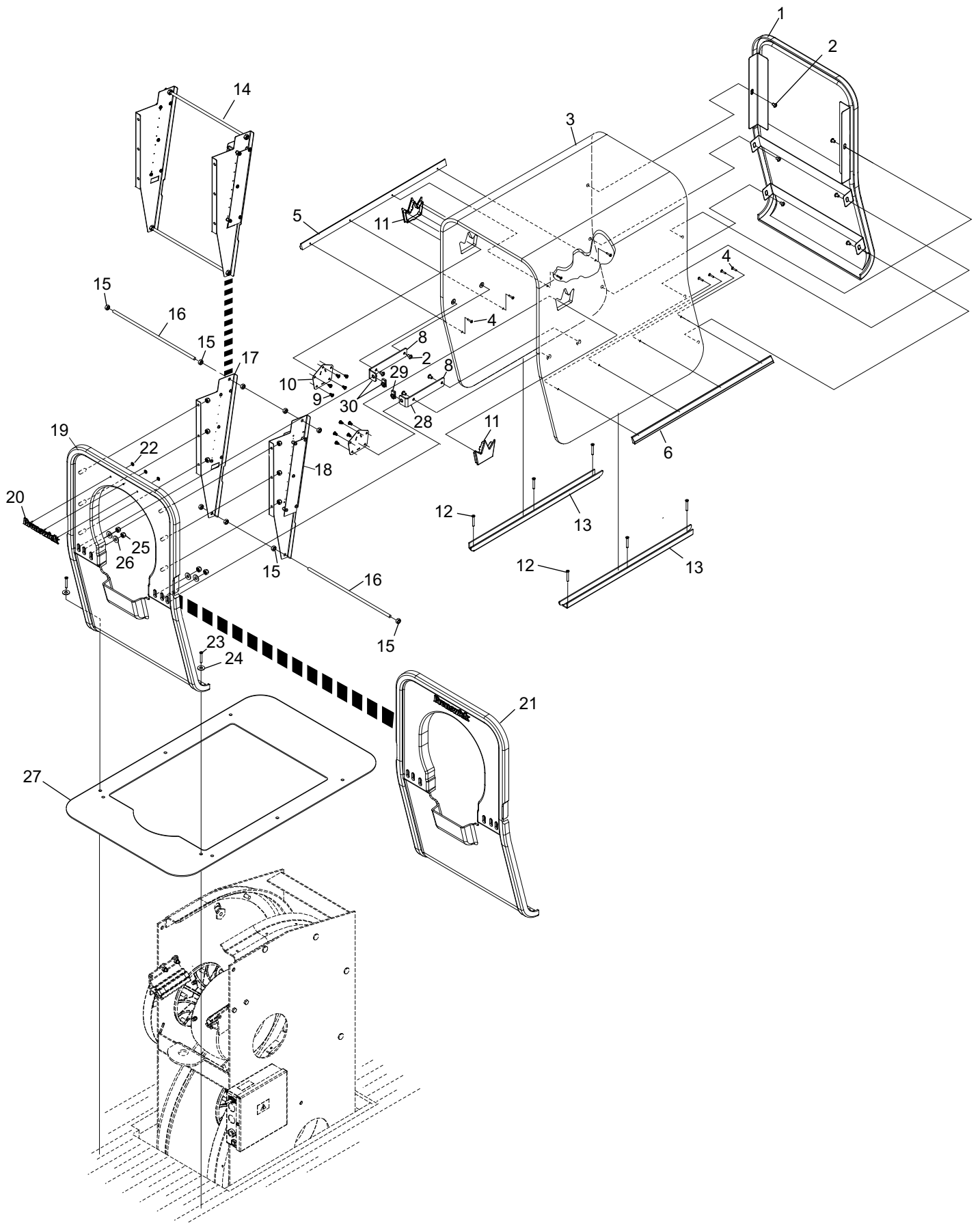
**Index**

<b>No.</b>	<b>Part No.</b>	<b>Description</b>
1.	53-400902-000	Assembly Rear Panel
2.	51-012380-001	Screw Pan Head (1/4-20 x 3/8)
3.	*53-400747-xxx	Hood Only (w/Inserts)
	*53-400748-xxx	Hood Complete (Includes Index No. 1,2,4,5,6,8,9,10,11)
4.	11-012276-001	Screw Pan Head C.R. (#6-32 x 5/8")
5.	*53-400723-xxx	Extrusion Trim L.H.
6.	*53-400724-xxx	Extrusion Trim R.H.
7.	11-012380-001	Screw Pan Head C.R. (1/4-20 x 3/8")
8.	53-400754-000	Hood Lock Bracket
9.	11-602683-001	Screw Screw Pan Head C.R. (10-16 x 3/8")
10.	53-400806-000	Crown Plate
11.	*53-400720-xxx	Crown, Hood Logo
12.	12-081201-000	Screw Flat Head Robertson (#10 x 1-1/2")
13.	53-400905-000	Hood Mounting Channel
14.	53-861676-000	Intellishield
15.	53-400805-000	Threaded Alignment Rod
16.	11-051704-001	Hex Nut (M8)
17.	53-400804-200	Assembly, Receive PCB
18.	53-400803-200	Assembly, Transmit PCB
19.	53-400898-00	Front Cover - only
20.	53-400897-000	Brunswick Logo
21.	53-400906-000	Front Cover With Logo and Retainers
22.	11-053427-000	Retainer Nut (M5)
23.	11-081201-000	Screw Flat Head Robertson (#10 x 1-1/2")
24.	11-052003-001	Washer (16 mm)
25.	11-051744-001	Locknut (M8)
26.	11-052006-001	Washer
27.	53-400829-000	Flange
28.	53-400754-000	Hood Bracket
29.	11-051842-000	Nut U-Spring (M6-1.0)
30.	53-400942-000	Hood Lock Bracket Assembly

**\*Color Chart**

<b>Part No.Suffix</b>	<b>Color</b>
-304	Afternoon Showers - Exception Request Only
-303	Toasted Coconut - Exception Request Only
-302	Black Forest Cake - Exception Request Only
-301	White - Exception Request Only
-300	Macchiato - Exception Request Only
-200	Titanium
-100	Black

**Center Stage Hood**



Center Stage Hood