

Section M

**POWER LIFTS**

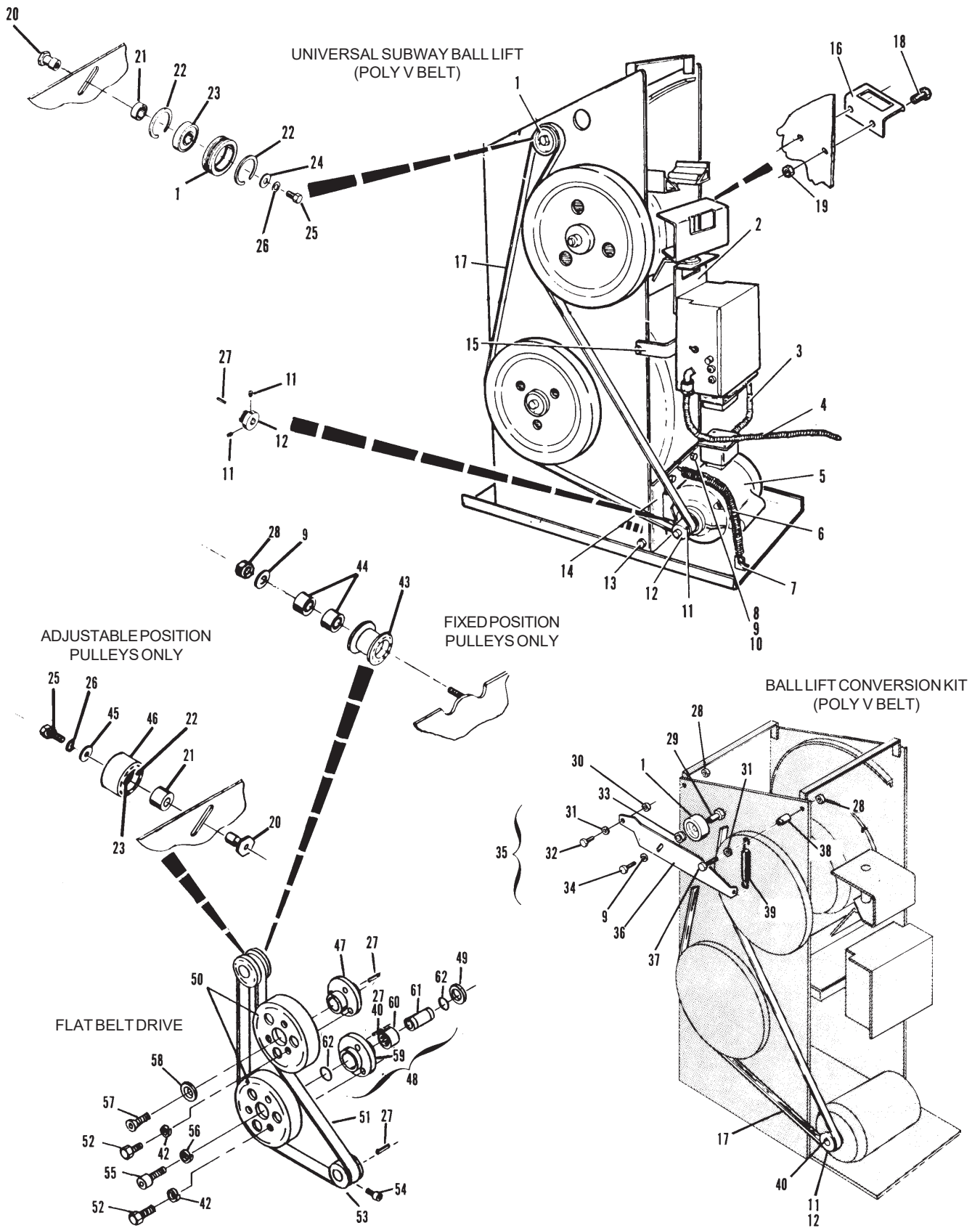
Index			Index		
No.	Part No.	Description	No.	Part No.	Description
1.	53-520244-000	Poly V Idler Assembly	32.	11-001264-001	Hex Hd. Cap Screw (5/16-18 x 1")
2.	53-520205-000	N.A. Mounting Bracket	33.	53-520306-000	Spacer
3.	53-520212-000	Cable Assembly	34.	11-001909-001	Hex Hd. Cap Screw (5/16-18 x 1")
4.	53-600149-000	Wire Harness Assembly	35.	53-860431-000	Poly V Conversion Kit
5.	53-860322-010	Motor (1/4 H.P. 115/230 Volt 50/60 Hz) - See Note	36.	53-520300-000	Idler Arm
	53-860322-000	N.A. Motor (1/4 H.P. 115/230 Volt 50/60 Hz) - See Note	37.	11-001270-001	Hex Hd. Cap Screw (5/16-18 x 1-3/4")
6.	53-520234-000	Tension Spring	38.	53-520304-000	Spring Post
7.	53-520231-000	Spring Anchor	39.	53-520301-000	Tension Spring
8.	11-001262-001	Hex Hd. Cap Screw (5/16-18 x 3/4")	40.	10-621058-000	Square Key (3/16 x 3/16 x 1-5/16")
9.	11-190012-001	Flat Washer (5/16)	41.	N.A.	Motor Mount Conversion Kit - Not Illustrated (See Note)
10.	11-170108-001	Self Locking Nut - Thin (5/16-18)	42.	11-195015-001	Lockwasher (5/16)
11.	11-101202-001	Set Screw (5/16-18 x 3/8")	43.	24-200775-000	Idler Pulley (Model A) - Aluminum
12.	53-520159-000	Poly V Sheave (1-5/8" Dia.)		24-204380-000	N.A. Idler Pulley (Model A-2) - Nylon
	53-520582-000	Poly V Sheave (1" Dia.)	44.	11-430032-000	Bearing
13.	10-003007-000	Body Fit Hex Hd. Bolt (5/16-18 x 1-1/4")	45.	11-190014-001	Flat Washer (3/8)
14.	53-520228-000	Motor Support	46.	*24-205125-000	N.A. Idler Pulley Assembly
15.	53-520241-000	Standoff Bracket	47.	53-520064-000	Hub
16.	N.A.	Mounting Bracket	48.	53-860555-000	Clutch Assembly
17.	53-520235-000	Poly V Belt	49.	53-520088-000	Spacer
18.	11-001180-001	Hex Hd. Cap Screw (1/4-20 x 5/8")	50.	53-520063-000	Pulley
19.	11-170007-001	Self Locking Nut (1/4-20)	51.	24-200947-000	Flat Drive Belt
20.	53-520071-000	Bearing Stud	52.	11-001258-001	Hex Hd. Cap Screw (5/16-18 x 1/2")
	53-520071-001	Bearing Stud - Metric	53.	*24-200773-000	N.A. Motor Pulley (1-17/64" Dia.) - Model A
21.	53-520072-000	Spacer		24-204378-000	Motor Pulley (1-29/32" Dia.) - Model A-2
22.	11-530531-000	Retaining Ring	54.	15-600946-000	N.A. Set Screw (10-32 x 1/2")
23.	11-430028-000	Bearing	55.	11-005184-001	Hex Socket Hd. Cap Screw (1/4-20 x 1")
24.	11-190514-001	Flat Washer	56.	11-195014-001	Lockwasher (1/4)
25.	11-001342-001	Hex Hd. Cap Screw (3/8-16 x 3/4")	57.	11-008148-001	Flat Socket Hd. Cap Screw (1/4-20 x 3/4")
26.	11-195016-001	Lockwasher (3/8)	58.	53-520069-000	Retaining Washer
27.	10-620057-000	Square Key (3/16 x 3/16 x 1-1/4")	59.	53-520422-000	N.A. Outer Hub
28.	11-170009-001	Self Locking Nut (5/16-18)	60.	11-500552-000	Clutch and Bearing
29.	53-520302-000	Bearing Stud	61.	53-520421-000	Inner Ring
30.	53-520303-000	Spacer	62.	11-533019-000	Retaining Ring
31.	11-190529-001	Flat Washer			

N.A. = No Longer Available

NOTE: If your ball lift is equipped with a 1140 RPM motor, order 53-860322-010. If your ball lift is equipped with a 1725 RPM motor or was originally supplied with a flat belt drive, replacement options are no longer available. The new style motor will not fit on the old mouting plate.

\* Can convert to Flat Belt Poly "V" with conversion kit 53-860431-000 index No. 35.

## Universal Poly V Subway Ball Lift, Flat Belt Drive (A & A-2) & Conversion Kit



**Universal Poly V Subway Ball Lift,  
Flat Belt Drive (A & A-2) & Conversion Kit**

Index			Index		
No.	Part No.	Description	No.	Part No.	Description
1.	N.A.	Wire Clip (5/8)	41.	11-195015-001	Lockwasher (5/16)
2.	53-520243-000	Spacer	42.	53-520060-000	Tire and Rim Assembly
3.	11-170009-001	Self Locking Nut (5/16-18)	43.	53-520066-000	Shaft Assembly
4.	N.A.	Transition Extrusion	44.	10-620057-000	Square Key (3/16 x 3/16 x 1-1/4")
5.	53-520075-000	N.A. Rubber and Plate Assy.	45.	11-430013-000	Bearing
	90-520075-600	R.O. AP Urethane Transition Track	46.	53-520067-000	Spacer
6.	11-001180-001	Hex Hd. Cap Screw (1/4-20 x 5/8")	47.	53-520068-000	Housing
7.	11-170007-001	Self Locking Nut (1/4-20)	48.	11-430042-000	Bearing
8.	10-621058-000	Square Key (3/16 x 3/16 x 1-5/16")	49.	53-520069-000	Retaining Washer
9.	11-125202-001	Hex Jam Nut (5/16-18)	50.	15-651243-000	N.A. Retaining Ring
10.	11-001262-001	Hex Hd. Cap Screw (5/16 -18 x 3/4")	51.	53-520088-000	Spacer
11.	11-605023-000	N.A. Wire Clip (7/16)	52.	11-008148-001	Hex Socket Hd. Cap Screw w/Nylok (1/4-20 x 3/4")
12.	53-520085-000	N.A. Coupling Assembly	53.	53-860555-000	Clutch Assembly
13.	53-520092-000	N.A. Rubber Washer	54.	53-520063-000	Pulley
14.	11-422021-000	N.A. Thrust Bearing	55.	90-520060-000	Urethane Ball Wheel
15.	53-520091-000	Rubber Sleeve (1-3/8" Dia. x 1/4" Thick)	56.	11-195014-001	Lockwasher (1/4)
	N.A.	Rubber Sleeve (1-3/8" Dia. x 3/4" Thick)	57.	11-005184-001	Hex Socket Hd. Cap Screw (1/4-20 x 1")
16.	N.A.	Support Brace		11-002005-001	Heat Treated Hex Hd. Cap Screw (1/4-20 x 1-1/4")
17.	53-520090-000	N.A. Coupling Bushing (13/16" Dia. x 15/16" Long)	58.	11-001263-001	Hex Hd. Cap Screw (5/16-18 x 7/8")
	24-200756-000	Coupling Bushing (13/16" Dia. x 1-1/2" Long)	59.	53-860322-010	Motor (1/4 H.P. 115/230V 50/60 Hz) - See Note
18.	53-520089-000	Washer		53-860322-000	N.A. Motor (1/4 H.P. 115/230V 50/60 Hz) - See Note
19.	11-195020-001	Lockwasher (5/8)	60.	11-191012-001	Flat Washer (5/16)
20.	11-001674-001	Hex Hd. Cap Screw (5/8-11 x 2-1/2")	61.	11-111459-000	N.A. Stud Fastener (1/2-13)
	N.A.	Hex Hd. Cap Screw (5/8-11 x 3")	62.	53-520027-000	Motor Sheave (2.25 O.D.)
21.	11-170011-001	Self Locking Nut (3/8-16)	63.	53-520049-000	Motor Support
22.	11-001344-001	Hex Hd. Cap Screw (3/8-16 x 1")		53-860468-000	N.A. Motor Support Conversion Kit (See Note)
23.	11-195018-001	Lockwasher (1/2)	64.	53-520064-000	Hub
24.	N.A.	Flat Washer	65.	11-190530-001	Flat Washer
25.	11-111554-000	N.A. Concrete Fastener (1/2-13)	66.	11-002004-001	Heat Treated Hex Hd. Cap Screw (1/4-20 x 1")
26.	53-520078-002	N.A. Shim (18 Ga.)	67.	53-520071-000	Bearing Stud
	53-520078-003	N.A. Shim (12 Ga.)		53-520071-001	Bearing Stud - Metric
27.	53-520032-000	N.A. Base Plate Assembly	68.	53-520072-000	Spacer
28.	11-001512-000	Hex Hd. Cap Screw (1/2-13 x 2")	69.	11-530531-000	Retaining Ring
29.	N.A.	L.H. Side Plate Assembly	70.	11-430028-000	Bearing
30.	N.A.	R.H. Side Plate Assembly	71.	53-520025-000	N.A. Idler Sheave Only
31.	N.A.	Brace		53-520026-000	R.O. Idler Assembly
32.	53-520146-002	N.A. R.H. Track Assembly - Complete	72.	53-520026-000	Idler Assembly
	53-520678-000	R.O. R.H. Track Assembly	73.	11-190514-001	Flat Washer
33.	53-520146-003	N.A. L.H. Track Assembly - Complete	74.	11-195016-001	Lockwasher (3/8)
	53-520679-000	R.O. L.H. Track Assembly	75.	11-001342-001	Hex Hd. Cap Screw (3/8-16 x 3/4")
34.	53-520171-000	Rubber Track	76.	**10-635317-000	N.A. V-Belt
	N.A.	Cement (Quart)	77.	90-520171-000	Urethane Ball Track Assembly (One Piece)
	*11-676047-000	Cement (Gallon)	78.	11-001268-001	Hex. Hd. Cap Screw (5/16-18 x 1-1/2")
35.	53-520172-000	Leather Track	79.	11-505104-000	N.A. Tolerance Ring
36.	53-520058-000	N.A. Doubler	80.	N.A.	Tolerance Ring
37.	53-520094-001	Bracket	81.	11-533019-000	Retaining Ring
38.	11-019654-001	Sems Hex Hd. Machine Screw (10-32 x 1/2")	82.	53-520422-000	N.A. Outer Hub
39.	11-155101-000	Spline Nut (10-32)	83.	11-500552-000	Clutch and Bearing
40.	11-001258-001	Hex Hd. Cap Screw (5/16-18 x 1/2")	84.	53-520421-000	Inner Ring

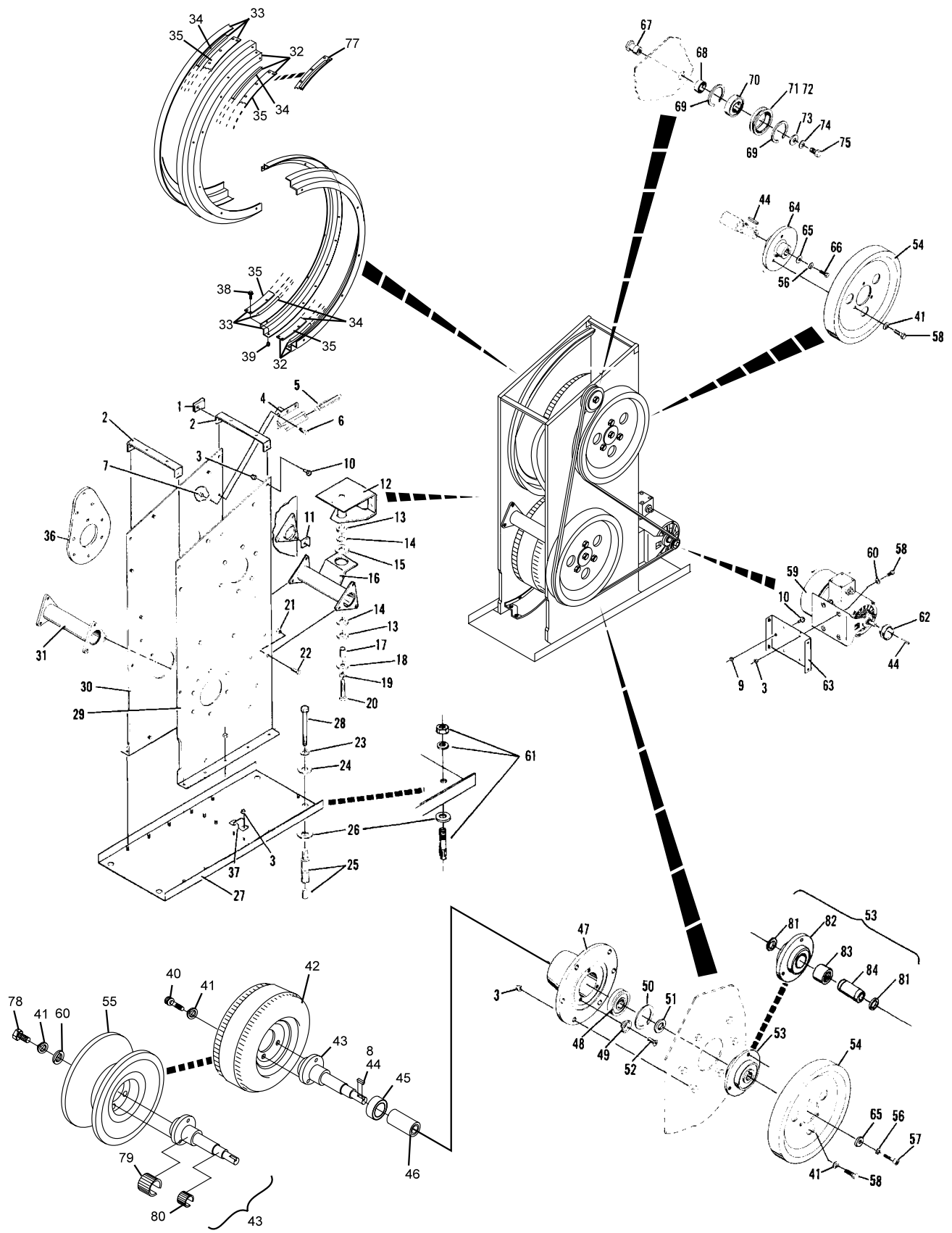
\*\* Not Illustrated

N.A. = No Longer Available  
R.O. = Replacement Option

\* Use Index No. 34 cement to bond 53-520171-000 rubber track to metal track.

NOTE: If your ball lift is equipped with a 1140 RPM motor, order 53-860322-010. If your ball lift is equipped with a 1725 RPM motor or was originally supplied with a flat belt drive, replacement options are no longer available. The new style motor will not fit on the old mounting plate.

## Subway Power Lift Assembly - "V" Belt



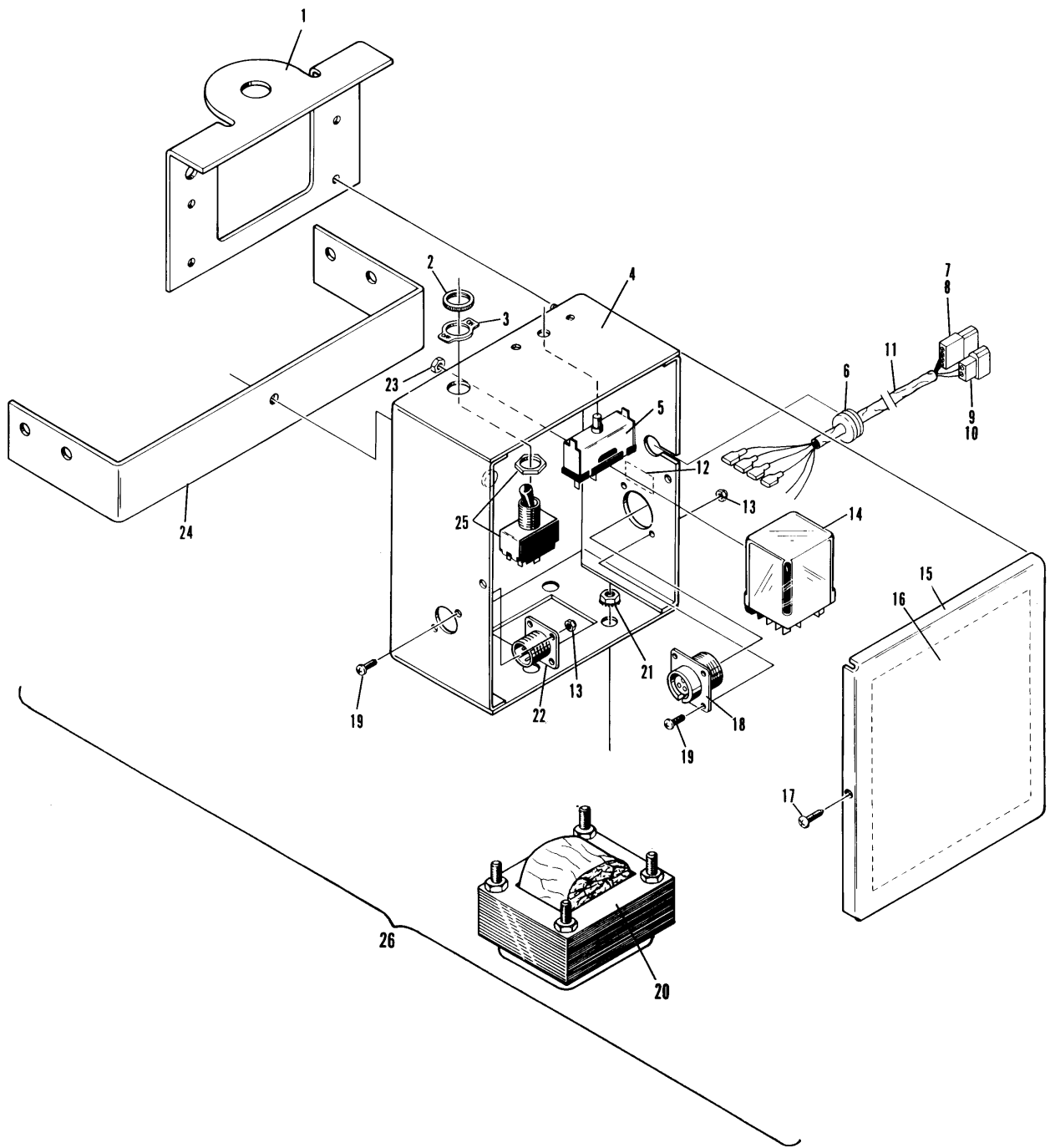
Subway Power Lift Assembly - "V" Belt

**Index**

<b>No.</b>	<b>Part No.</b>		<b>Description</b>
1.	53-520205-000	N.A.	Mounting Bracket
2.	11-125360-001	N.A.	Electrical Face Nut
3.	11-616602-000		Indicating Plate
4.	N.A.		Box Only
5.	11-685201-000		Circuit Breaker
6.	11-611015-000		Strain Relief
7.	11-680116-000		Connector (2 Contacts)
8.	11-680302-000	N.A.	Terminal
	57-860032-000	R.O.	Terminal - Male (Pkg. of 10)
9.	11-680217-000		Connector
10.	11-680301-000	N.A.	Terminal
	57-860031-000	R.O.	Terminal - Female (Pkg. of 20)
11.	N.A.		Control Box Cable Assembly
12.	N.A.		"Line" Decal
13.	11-170000-001		Self Locking Nut (#4-40)
14.	11-697103-000		Relay (24V)
15.	53-520598-000	N.A.	Box Cover
16.	N.A.		Circuit Label
17.	11-082232-001		Truss Hd. Self Tapping Screw (#6 x 1/2")
18.	11-678905-000		Receptacle (3 Contacts)
19.	11-012253-001		C.R. Pan Hd. Machine Screw (#4-40 x 5/16")
20.	53-100322-000		Transformer Assembly
21.	11-176007-001		Keps Nut (#8-32)
22.	11-678903-000		Receptacle (3 Contacts)
23.	11-176005-001		Self Locking Nut - Thin (#6-32)
24.	N.A.		Standoff Bracket
25.	11-615502-000		Switch
26.	53-520600-091	N.A.	Box Assembly - Complete (115V)
	N.A.		Box Assembly - Complete (230V)
	53-520600-093		Box Assembly - Complete (208V)

*N.A. = No Longer Available*

**Ball Lift Control Box Assembly  
For Pan Style Rack**



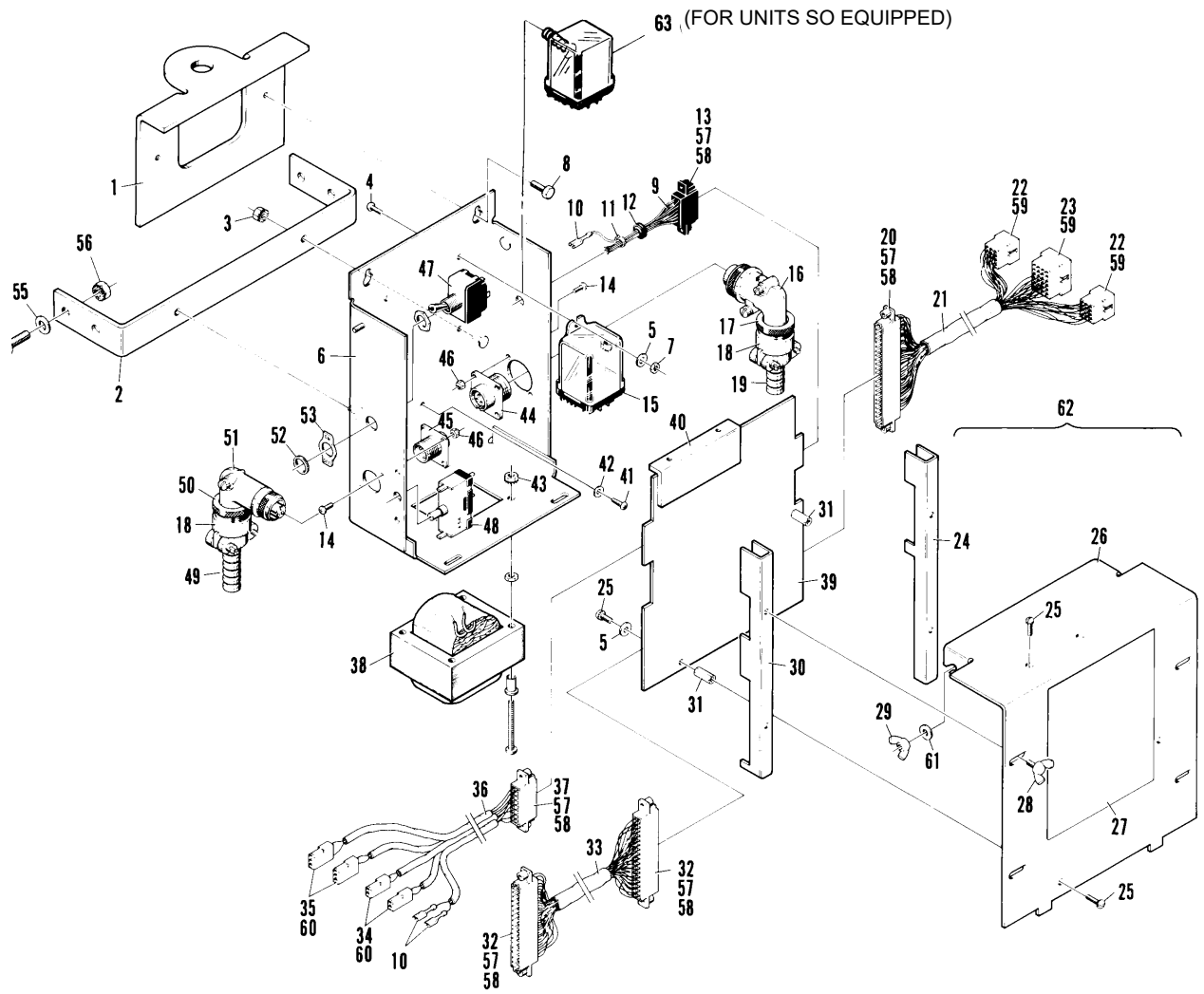
**Ball Lift Control Box Assembly  
For Pan Style Rack**

Index			Index		
No.	Part No.	Description	No.	Part No.	Description
1.	53-520205-000	N.A. Mounting Bracket	33.	N.A.	Pinfall Display Cable Assembly
2.	53-520241-000	Standoff Bracket	34.	11-680216-000	Receptacle (2 Contacts)
3.	11-170004-001	Self Locking Nut (8-32)	35.	11-680201-000	Receptacle (3 Contacts)
4.	11-013021-001	N.A. Slt'd. Pan Hd. Machine Screw (6-32 x 5/16")	36.	N.A.	Ball Rack Cable Assy.
5.	11-190002-001	Flat Washer (#6)	37.	11-696803-000	Edge Connector (8 Contacts)
6.	53-520500-091	Control Box Assembly less Cover (115 V)	38.	53-100436-000	Transformer Assembly (110 VAC to 24 VAC)
	N.A.	Control Box Assembly less Cover (230 V)	39.	53-860711-000	N.A. PCB Assembly- Non-Latching Deck Switch
	N.A.	Box Only		N.A.	PCB Assembly
7.	N.A.	Self Locking Nut (6-32)	40.	53-520504-000	Latching Deck Switch
8.	N.A.	Hex Hd. Cap Screw (10-24 x 3/8")	41.	N.A.	Logic Card MT Angle Self Tapping C.R. Rd. Hd. Screw (#6 x 3/8")
9.	53-520525-000	Harness Assembly - Complete	42.	11-198001-001	External Tooth Lockwasher (#6)
10.	11-612252-000	N.A. Receptacle	43.	11-176007-001	Keps Nut (8-32)
11.	11-603108-000	N.A. Cable Tie (3-5/8")	44.	11-678905-000	Receptacle (3 Contacts)
12.	11-651006-000	N.A. Grommet (3/8)	45.	11-678903-000	Receptacle (3 Contacts)
13.	11-696802-000	Edge Connector (6 Contacts)	46.	11-170000-001	Self Locking Nut (4-40)
14.	11-012253-001	C.R. Pan Hd. Machine Screw (4-40 x 5/16")	47.	11-615502-000	Toggle Switch
15.	11-697101-000	Relay (24 V)	48.	11-685201-000	Circuit Breaker
16.	11-678906-000	N.A. 90° Angle Plug	49.	53-600149-000	Power Cable Assembly
	11-623001-000	R.O. 90° Angle Plug	50.	32-201654-000	Cable Clamp Adapter
17.	N.A.	Cable Clamp Adapter	51.	11-678904-000	90° Angle Plug
18.	11-605128-000	Cable Clamp	52.	11-125360-001	N.A. Face Nut (15/32 -32)
19.	53-520212-000	Motor Cable Assembly	53.	11-616602-000	Indicating Plate (Off-On)
20.	11-696813-000	N.A. Edge Connector (22 Contacts)	54.	11-001183-001	Hex Hd. Cap Screw (1/4 -20 x 7/8")
21.	N.A.	Lane Cable Assembly	55.	11-191010-001	Flat Washer (1/4)
22.	11-680108-000	N.A. Connector Plug (12 Contacts)	56.	11-170007-001	Self Locking Nut (1/4-20)
23.	11-680112-000	Connector Plug (24 Contacts)	57.	11-696926-000	Terminal
24.	53-520503-002	N.A. R.H. Clamp	58.	11-680425-000	N.A. Connector Key
25.	11-017522-001	N.A. Sems Slt'd. Rd. Hd. Machine Screw (6-32 x 3/8")	59.	11-680302-000	N.A. Terminal
			60.	57-860032-000	R.O. Terminal - Male (Pkg. of 10)
				11-680301-000	N.A. Terminal
				57-860031-000	R.O. Terminal - Female (Pkg. of 20)
26.	53-520502-000	N.A. Cover Only	61.	11-190004-001	Flat Washer (#8)
27.	N.A.	Schematic Decal	62.	N.A.	Control Box Cover Assy. (Latching Deck Switch)
28.	11-045053-001	N.A. Thumb Screw (8-32)		N.A.	Control Box Cover Assy. (Non-Latching Deck Switch)
29.	11-149028-001	N.A. Wing Nut (8-32)			Relay (24V) for units so equipped
30.	53-520503-003	N.A. L.H. Clamp	63.	11-697103-000	
31.	11-185304-000	N.A. Hex Threaded Spacer (6-32 x 5/8")			
32.	11-696811-000	N.A. Edge Connector (18 Contacts)			

N.A. = No Longer Available  
R.O. = Replacemnt Option

## "2000" Ball Lift Control Box





“2000” Ball Lift Control Box

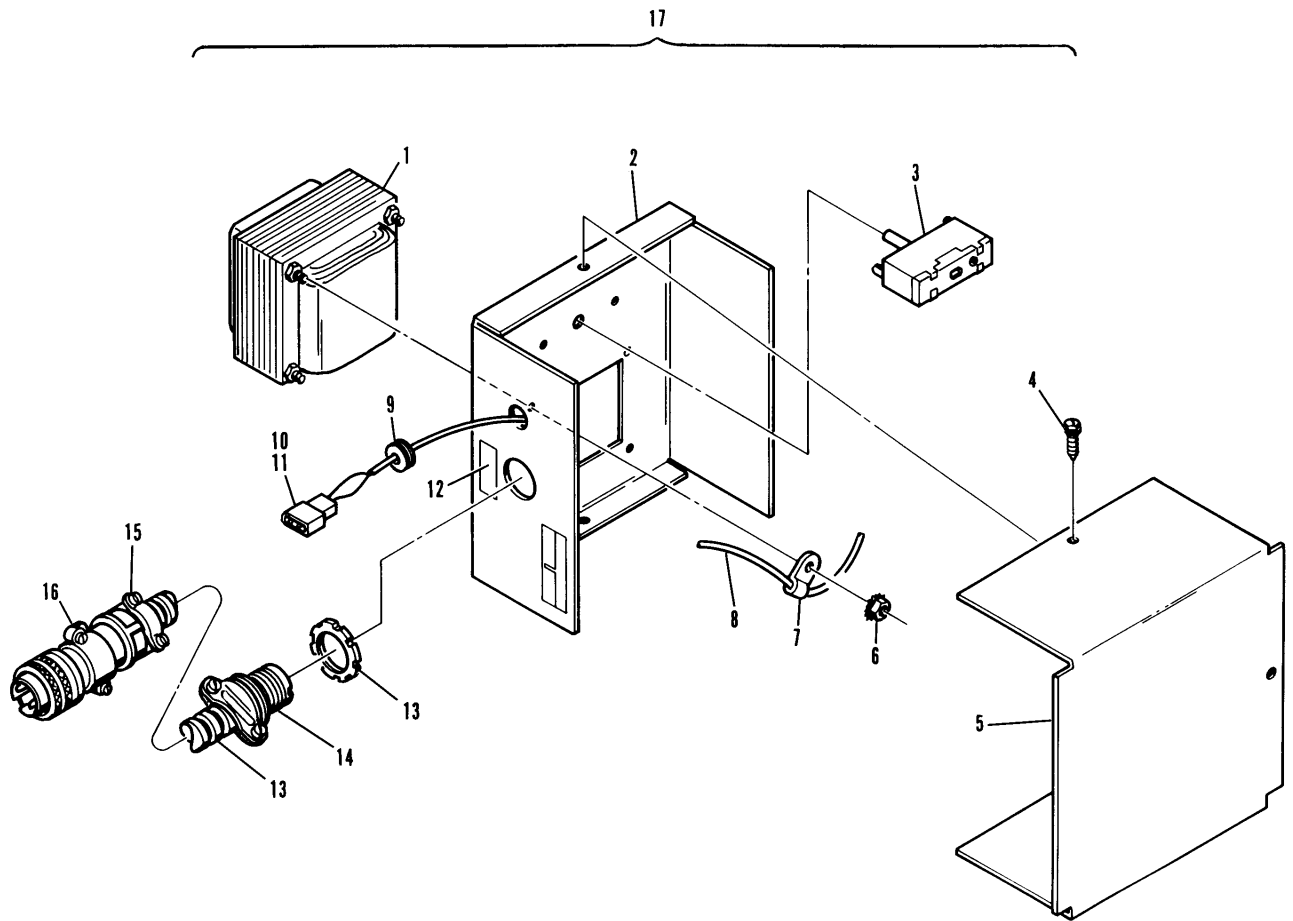
**Index**

<b>No.</b>	<b>Part No.</b>		<b>Description</b>
1.	53-100322-000		Transformer
2.	N.A.		Fan Conversion Cover
3.	11-685201-000		Circuit Breaker
4.	N.A.		Hex Washer Hd. Tapping Screw (#8 x 3/8")
5.	N.A.		Fan Conversion Box
6.	11-176007-001		Keps Nut (#8-32)
7.	11-604001-000		Cable Clamp
8.	53-520592-000	N.A.	Fan Cable Assembly
9.	11-651009-000	N.A.	Grommet (1/4")
10.	11-680302-000	N.A.	Molex Terminal
	57-860032-000	R.O.	Terminal - Male (Pkg. of 10)
11.	11-680116-000		Molex Receptacle
12.	N.A.		"Line" Decal
13.	N.A.		Cable Assembly
14.	11-602104-000	N.A.	Box Connector
15.	11-605128-000		Cable Clamp
16.	11-678901-000		Connector Plug
17.	53-860687-000	N.A.	Fan Conversion Box Assembly - Complete

*N.A. = No Longer Available*

NOTE: To convert 115VAC to 24VAC order part number 53-860331-000  
Signal adapter Kit.

## Fan Conversion Box Assembly



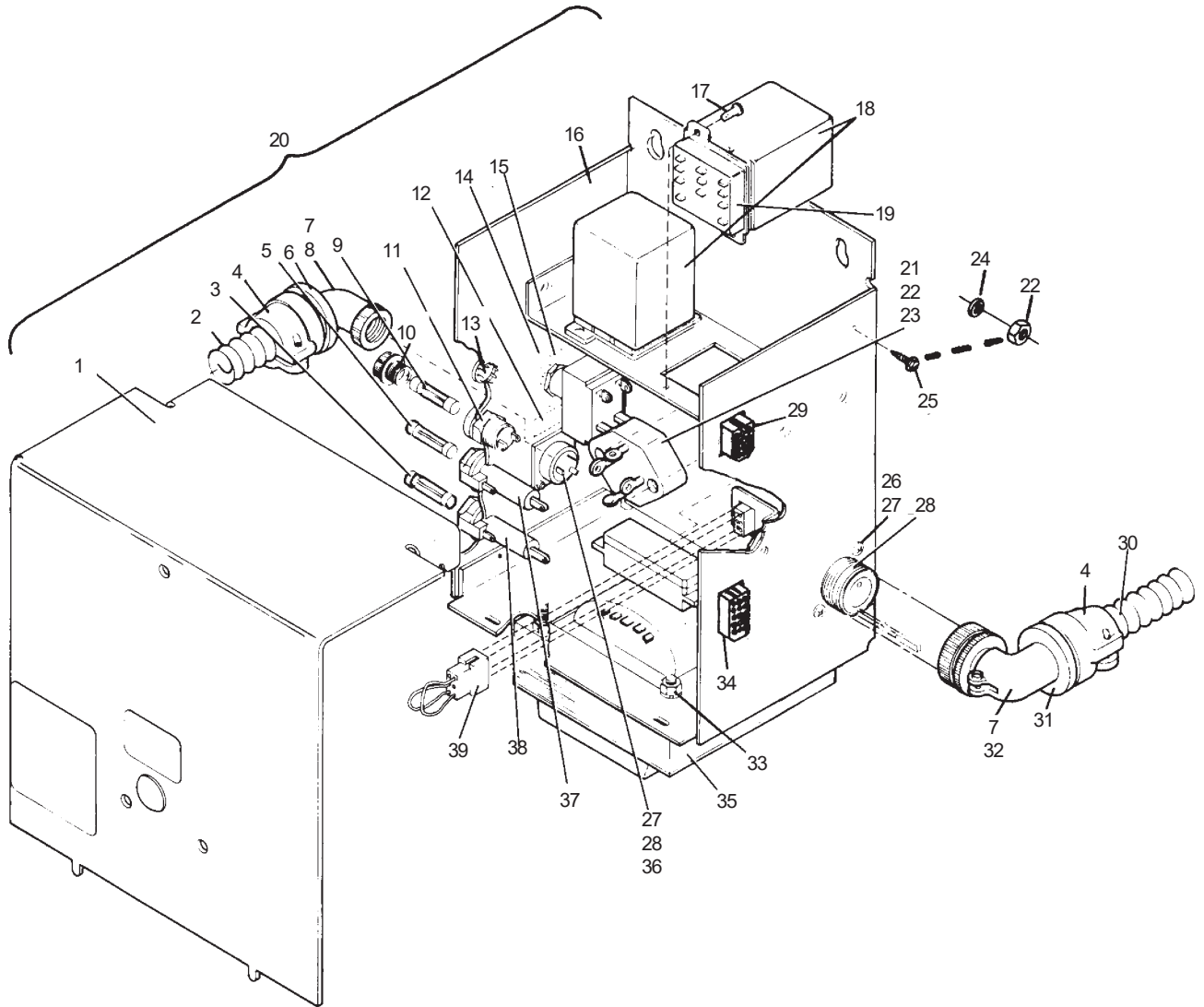
Fan Conversion Box Assembly

**Index**

<b>No.</b>	<b>Part No.</b>	<b>Description</b>
1.	N.A.	Cover
2.	53-600149-000	Wire Harness
3.	N.A.	Fuse (3.2 Amp)
4.	11-605128-000	Cable Clamp
5.	11-685013-000	Fuse (5 Amp)
6.	32-201654-000	Cable Clamp Adapter
7.	N.A.	Insulating Sleeve
8.	11-678904-000	90° Connector Plug
9.	11-685021-000	Fuse (2 Amp)
10.	N.A.	Fuse Cap Only
11.	53-600056-000	Fuseholder Assembly
12.	N.A.	Decal
13.	N.A.	Plug Button
14.	11-615502-000	Toggle Switch
15.	11-616602-000	Indicating Plate (On-Off)
16.	N.A.	Control Box Only
17.	N.A.	Self-Tapping C.R. Rd. Hd. Screw (#6 x 3/8")
18.	11-672600-000	Relay (24V)
19.	N.A.	Relay Socket (1/8" Wide Contact)
	11-672627-000	Relay Socket (3/16" Wide Contact)
20.	N.A.	Control Box Assembly - Complete
21.	N.A.	C.R. Rd. Hd. Machine Screw (4-40 x 5/8")
22.	11-170004-001	Self-Locking Nut (#8-32)
23.	N.A.	Bridge Rectifier
24.	11-190004-001	Flat Washer (#8)
25.	11-018003-001	C.R. Rd. Hd. Machine Screw (4-40 x 5/16")
26.	11-012253-001	C.R. Pan Hd. Machine Screw (4-40 x 5/16")
27.	11-170000-001	Self Locking Nut (4-40)
28.	11-678905-000	Receptacle (3 Contacts)
29.	11-680108-000	N.A. Connector Plug (12 Contacts)
30.	53-520212-000	Cable Assembly
31.	N.A.	Cable Clamp Adapter
32.	11-678906-000	N.A. 90° Angle Plug
33.	11-176007-001	Keys Nut (8-32)
34.	N.A.	Connector Plug (15 Contacts)
35.	N.A.	Transformer
36.	11-678903-000	Receptacle (3 Contacts)
37.	N.A.	Fuseholder (3.6 to 5 Amps)
38.	N.A.	Fuseholder (2.5 to 3.5 Amps)
39.	53-600119-002	N.A. Plug Assembly (110 VAC, 50/60 Hz)
	N.A.	Plug Assembly (115 VAC, 50/60 Hz)
	53-600119-004	N.A. Plug Assembly (200 VAC, 50/60 Hz)
	53-600119-005	N.A. Plug Assembly (250 VAC, 50/60 Hz)

*N.A. = No Longer Available*

**Power Lift Control Box  
AMF Adapter**



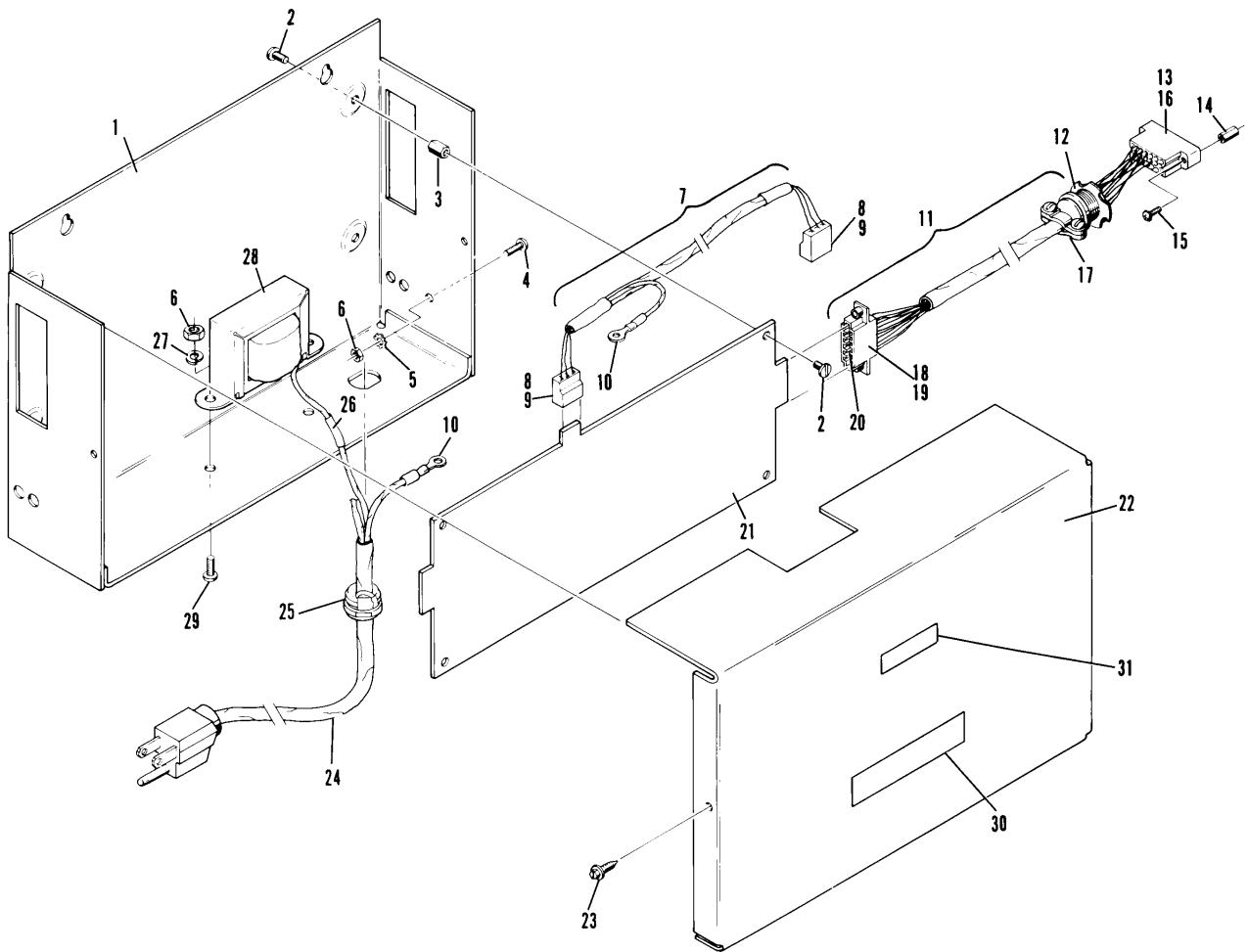
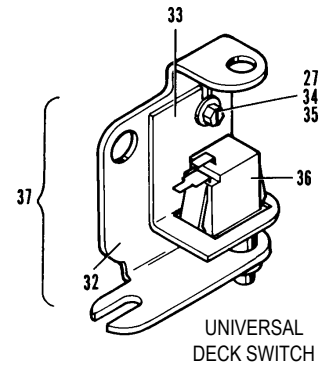
**Power Lift Control Box  
AMF Adapter**

**Index**

<b>No.</b>	<b>Part No.</b>		<b>Description</b>
1.	N.A.		Box Only
2.	11-013056-001	N.A.	Sltd. Pan Hd. Machine Screw (8-32 x 1/4")
3.	N.A.		Standoff
4.	N.A.		Sltd. Rd. Hd. Machine Screw (8-32 x 5/8")
5.	11-198002-001		External Tooth Lockwasher (#8)
6.	11-125003-001		Hex Nut (8-32)
7.	N.A.		Pinfinder Display to Pin Display Acquisition Cable Assembly
8.	11-697262-000	N.A.	Edge Connector (3 Circuits)
9.	11-697288-000	N.A.	Contact
10.	N.A.		Connector
11.	53-520609-000	N.A.	Deck Switch Cable Assembly
12.	11-602002-001	N.A.	Electrical Locknut (1/2)
13.	11-678701-000	N.A.	Connector (20 Contacts)
14.	N.A.		Guide Pin
15.	N.A.		Sems C.R. Rd. Hd. Machine Screw (4-40 x 5/16")
16.	N.A.		Contact
17.	11-602101-000	N.A.	Cord Grip
18.	11-696802-000		Edge Connector (6 contacts)
19.	11-696926-000		Terminal
20.	11-680425-000	N.A.	Connector Key
21.	53-860712-000	N.A.	Pin Display Acquisition PCB Assembly
22.	53-520612-000	N.A.	Cover
23.	N.A.		Self Tapping Hex Hd. Washer Screw (#8 x 3/8")
24.	N.A.		Power Cord Assembly
25.	11-611016-000	N.A.	Strain Relief Bushing
26.	11-612451-000	N.A.	Splice
27.	11-195008-001		Lockwasher (#8)
28.	53-520610-000	N.A.	Transformer Assembly
29.	11-107064-001		Sltd. Rd. Hd. Machine Screw (8-32 x 3/8")
30.	N.A.		F.C.C. Class A Label
31.	N.A.		Decal - "Do Not Remove"
32.	N.A.		Mounting Bracket Assembly
33.	N.A.		Switch Bracket
34.	11-010060-001		Sltd. Rd. Hd. Machine Screw (8-32 x 1/2")
35.	11-190004-001		Flat Washer (#8)
36.	11-674992-000	N.A.	Switch
37.	N.A.		Deck Switch Assembly - Complete

*N.A. = No Longer Available*

**"2000" Universal Pin Display  
Acquisition Box & Deck Switch Assemblies**



**“2000” Universal Pin Display  
Acquisition Box & Deck Switch Assemblies**

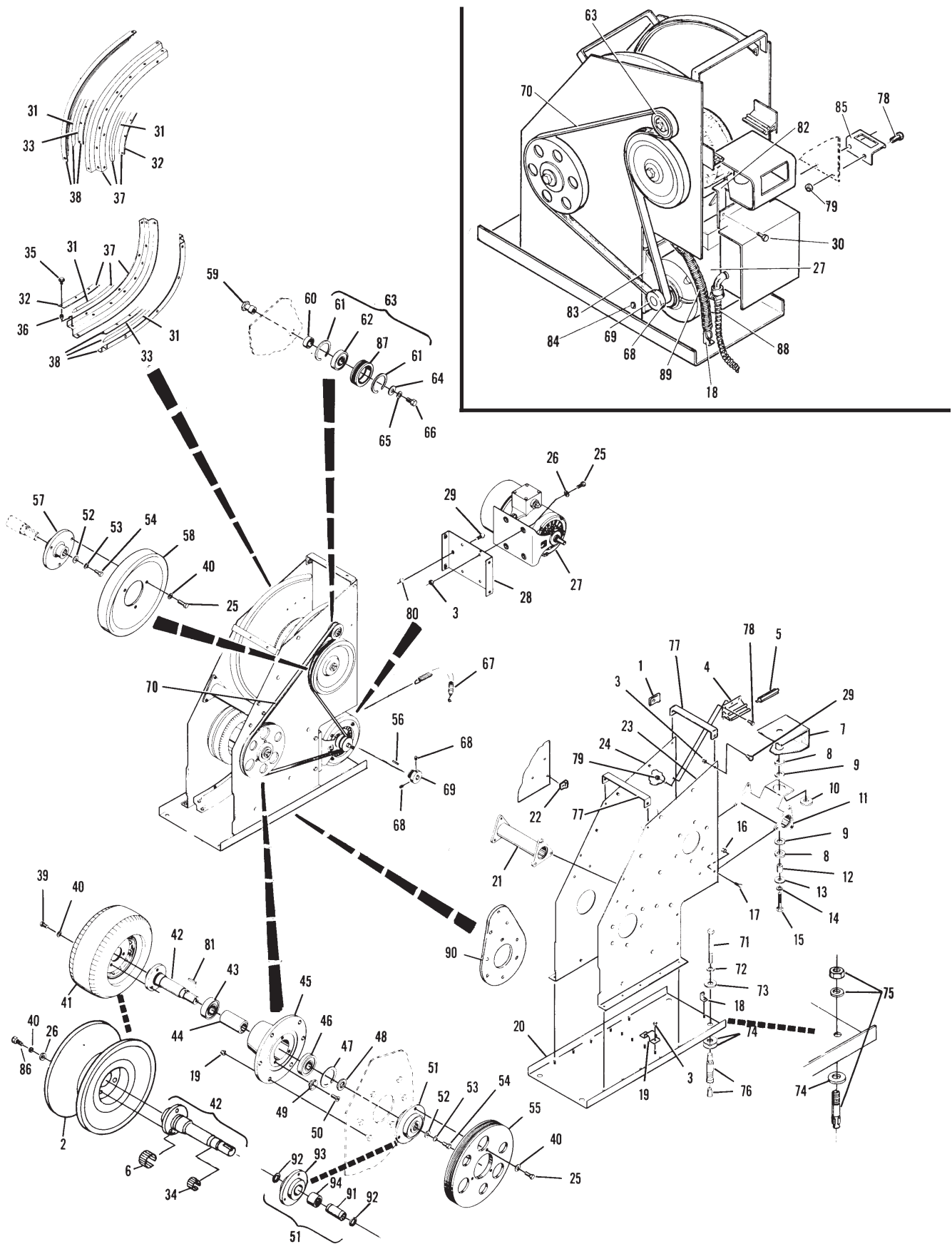
Index No.	Part No.	Description	Index No.	Part No.	Description
1.	N.A.	Wire Clip (5/8)	47.	N.A.	Retaining Ring
2.	90-520060-000	Urethane Ball Wheel	48.	53-520088-000	Spacer
3.	11-170009-001	Self Locking Nut (5/16-18)	49.	53-520069-000	Retaining Washer
4.	53-520073-000	Transition Extrusion	50.	11-008148-001	Flat Hd. Socket Cap Screw w/Nylok (1/4-20 x 3/4")
5.	53-520075-000	N.A. Rubber and Plate Assy.	51.	53-860555-000	Clutch Assembly
	90-520075-600	R.O. AP Urethane Transition Track	52.	11-190530-001	Flat Washer
6.	N.A.	Tolerance Ring	53.	11-195014-001	Lockwasher (1/4)
7.	53-520085-000	N.A. Coupling	54.	11-002003-001	N.A. Heat Treated Hex Hd. Cap Screw (1/4-20 x 7/8")
8.	53-520092-000	N.A. Rubber Washer		11-002005-001	Heat Treated Hex Hd. Cap Screw (1/4-20 x 1-1/4")
9.	11-422021-000	Thrust Bearing	55.	N.A.	Poly V Pulley
10.	53-520091-000	Rubber Sleeve (1-38" Dia. x 1/4" Thick)	56.	10-620057-000	Square Key (3/16 x 3/16 x 1-1/4")
11.	N.A.	Support Brace	57.	53-520064-000	Hub
12.	53-520090-000	N.A. Coupling Bushing (13/16" Dia. x 15/16" Long)	58.	53-520162-000	N.A. Flat Pulley
13.	53-520089-000	Washer	59.	53-520071-000	Bearing Stud
14.	11-195020-001	Lockwasher (5/8)		53-520071-001	Bearing Stud - Metric
15.	11-001674-001	Hex Hd. Cap Screw (5/8"-11 x 2-1/2")	60.	53-520072-000	Spacer
16.	11-170011-001	Self Locking Nut (3/8-16)	61.	11-530531-000	Retaining Ring
17.	11-001344-001	Hex Hd. Cap Screw (3/8-16 x 1")	62.	11-430028-000	Bearing
18.	53-520231-000	Spring Anchor	63.	53-520244-000	Poly V Idler Pulley Assembly
19.	53-520094-001	Bracket	64.	11-190514-001	Flat Washer
20.	53-520032-000	N.A. Base Plate Assembly	65.	11-195016-001	Lockwasher (3/8)
21.	N.A.	Brace	66.	11-001342-001	Hex Hd. Cap Screw (3/8-16 x 3/4")
22.	11-605023-000	Wire Clip (7/16)	67.	12-100230-000	Tension Spring
23.	N.A.	R.H. Side Plate Assy.	68.	11-101202-001	Set Screw (5/16-18 x 3/8")
24.	N.A.	L.H. Side Plate Assy.	69.	53-520159-000	Motor Sheave
25.	11-001263-001	Hex Hd. Cap Screw (5/16-18 x 7/8")		53-520582-000	Poly V-Pulley (1" Dia.)
26.	11-191012-001	Flat Washer (5/16)	70.	53-520148-002	Poly V Belt
27.	53-860322-010	Motor (1/4 H.P. 115/230V 50/60 Hz)	71.	11-001512-000	Hex Hd. Cap Screw (1/2-13 x 2")
28.	53-520049-000	Motor Support	72.	11-195018-001	Lockwasher (1/2)
29.	11-001262-001	Hex Hd. Cap Screw (5/16-18 x 3/4")	73.	N.A.	Flat Washer
30.	11-001056-001	N.A. Hex Hd. Cap Screw (10-24 x 3/8")	74.	53-520078-002	Shim (18 Ga.)
31.	53-520040-000	Rubber Track		53-520078-003	N.A. Shim (12 Ga.)
	N.A.	Cement (Quart)	75.	11-111459-000	N.A. Stud Fastener (1/2-13)
	*11-676047-000	Cement (Gallon)	76.	11-111554-000	N.A. Concrete Fastener (1/2-13)
32.	53-520042-002	Track Leather - R.H. Bottom and L.H. Top	77.	53-520243-000	Spacer
33.	53-520042-003	Track Leather - L.H. Bottom and R.H. Top	78.	11-001180-001	Hex Hd. Cap Screw (1/4-20 x 5/8")
34.	N.A.	Tolerance Ring	79.	11-170007-001	Self Locking Nut (1/4-20)
35.	11-019654-001	Sems Hex Hd. Machine Screw (10-32 x 1/2")	80.	11-125202-001	Hex Jam Nut (5/16-18)
36.	11-155101-000	Spline Nut (10-32)	81.	10-621058-000	Square Key (3/16 x 3/16 x 1-5/16")
37.	53-520034-000	N.A. Track Assembly - Complete (R.H. Bottom and L.H. Top)	82.	53-520205-000	N.A. Mounting Bracket
38.	53-520035-000	N.A. Track Assembly - Complete (L.H. Bottom and R.H. Top)	83.	53-520228-000	Motor Support
39.	11-001258-001	Hex Hd. Cap Screw (5/16-18 x 1/2")	84.	10-003007-000	Hex Hd. Body Fit Bolt (5/16-18 x 1-1/4")
40.	11-195015-001	Lockwasher (5/16)	85.	N.A.	Mounting Bracket
41.	53-520060-000	Tire and Rim Assembly	86.	11-001268-001	Hex Hd. Cap Screw (5/16-18 x 1-1/2")
42.	53-520066-000	Shaft Assembly	87.	53-520245-000	N.A. Poly V Idler Pulley Only
43.	11-430013-000	Bearing	88.	53-600149-000	Wire Harness Assembly
44.	53-520067-000	Spacer	89.	53-520234-000	Tension Spring
45.	53-520068-000	Housing	90.	53-520058-000	N.A. Doubler
46.	11-430042-000	Bearing	91.	53-520421-000	Inner Ring
			92.	11-533019-000	Retaining Ring
			93.	53-520422-000	N.A. Outer Hub
			94.	11-500552-000	Clutch and Bearing

N.A. = No Longer Available

\* Used to bond Index No. 31 to Index Nos. 37 and 38.

## Concealed Surface Power Lift Assembly





**Concealed Surface Power Lift Assembly**

**Index**

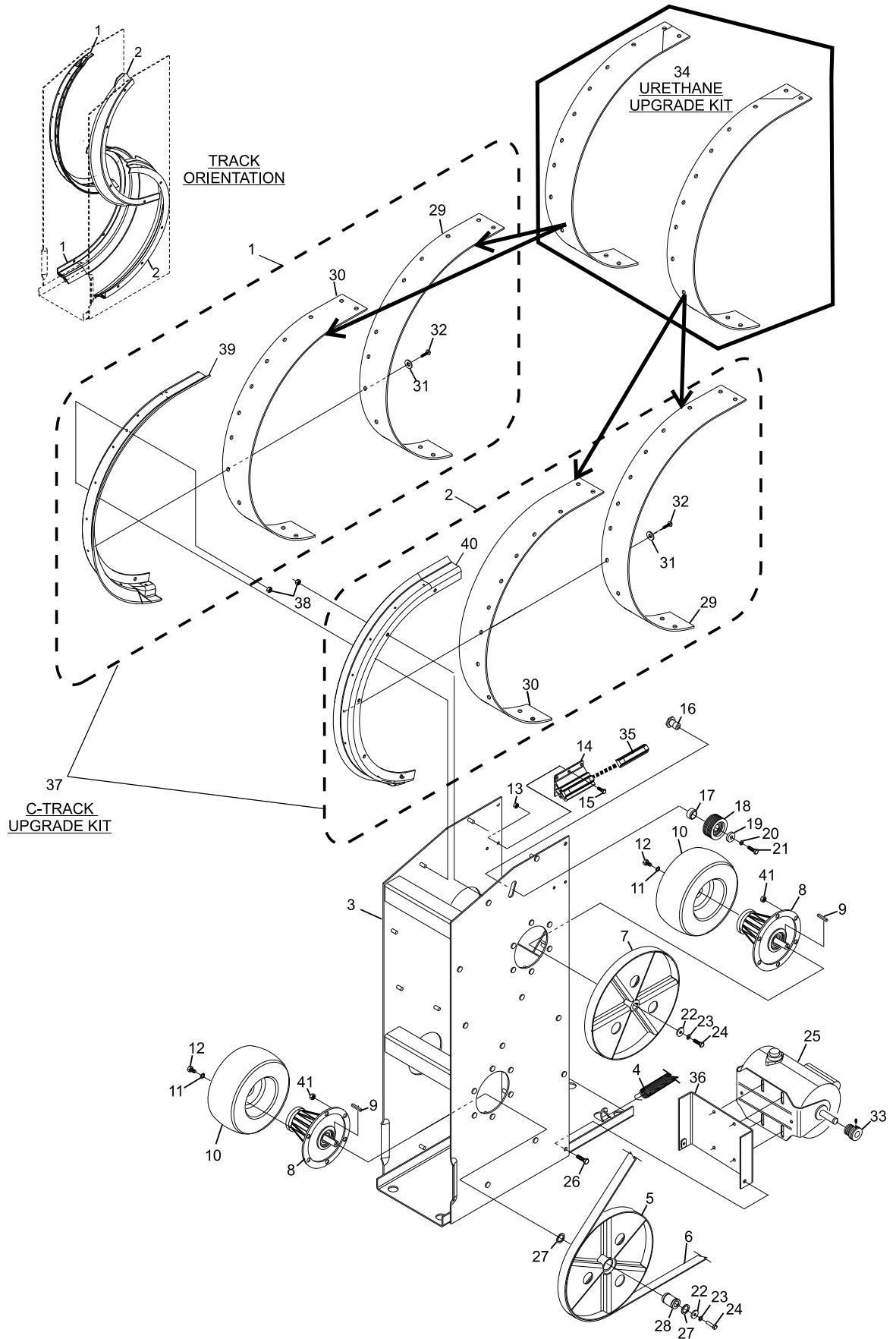
<b>No.</b>	<b>Part No.</b>		<b>Description</b>
1.	53-520678-000		R.H. Ball Lift Track Assembly (upper and lower)
2.	53-520679-000		L.H. Ball Lift Track Assembly (upper and lower)
3.	53-520675-000	N.A.	Ball Lift Weldment Assembly
	53-520696-001	R.O.	Ball Lift Weldment Assembly W/Hardware (metric)
4.	53-520234-000		Tension Spring
5.	53-520663-001		Lower Pulley w/Bearing Assembly
6.	53-520235-000		"V" Belt
7.	53-520658-000		Ball Lift Upper Pulley
8.	53-520685-000		Ball Lift Bearing Housing
9.	10-620057-000		Square Key (3/16 x 3/16 x 1-1/4)
10.	53-520060-000		Tire and Rim Assembly
11.	11-195015-001		Lockwasher (5/16")
12.	11-001258-001		Hex Hd. Cap Screw, (5/16-18 x 1/2")
13.	11-170007-001		Self-Locking Hex Nut (1/4-20)
14.	53-520073-000		Ball Transition Assembly
15.	11-001180-001		Hex Hd. Cap Screw, (1/4-20 x 5/8")
16.	53-520071-000		Bearing Stud
	52-520071-001		Bearing Stud - Metric
17.	53-520072-000		Spacer
18.	53-520244-000		Idler Assembly
19.	11-190014-001		Flat Washer (3/8")
20.	11-195016-001		Lock washer (3/8")
21.	11-001342-001		Hex Head Cap Screw (3/8-16 x 3/4")
22.	11-190530-001		Flat Washer (9/32")
23.	11-195014-001		Lockwasher (1/4")
24.	11-002004-001		Hex Hd. Cap Screw (1/4-20 x 1")
25.	*53-860325-000	N.A.	Motor/Mount Bracket/Power Bracket Assembly
	53-860328-000	R.O.	Ball lift Motor 115/230V 1/4 HP 1725 Pkg.
26.	11-002066-001		Hex Hd. Cap Screw (5/16-18 x 1-1/2")
27.	11-533019-000		Retaining Ring
28.	53-520421-000		Inner Ring
29.	53-520172-000		Leather Track
30.	53-520686-000		Rubber Track
31.	11-190006-001		Flat Washer (#10)
32.	11-081206-000		Truss Hd. Robertson Screw (10-24 x 5/8")
33.	53-520159-000		Poly V Sheave (1.32) .625 Dia. Shaft
	53-520582-000		Poly V Sheave (1") .625 Dia. Shaft
34.	90-520172-600		Frameworkx Urethane Track Kit - 2 pieces, includes one L.H. Track 90-520172-603 (replaces index 29 and index 30) and one R.H. Track 90-520172-602 (replaces index 29 and index 30).
35.	90-520075-600		Transition Track Advanced Performance
36.	53-520671-000	N.A.	Ball Lift Motor Support
	53-520671-001	R.O.	Support Bracket Ball Lift Motor (metric)
37.	53-860174-000		Frameworkx C-Track Upgrade Kit (Consists of one each 53-520678-000 (index 1) and 53-520679-000 (index 2))
38.	11-170009-001		Hex Nut Self Locking (5/16-18)
39.	53-520678-001	N.A.	R.H. Ball Lift Track (can be used as a R.H. upper or a R.H. lower)
40.	53-520679-001	N.A.	L.H. Ball Lift Track (can be used on a L.H. upper or on a L.H. lower)

*N.A. = No Longer Available*

*R.O. = Replacment Option*

\* When using with B2000 Lift Mounting Plate 53-520671-001.

## Frameworkx Ball Lift



**Frameworx Ball Lift**

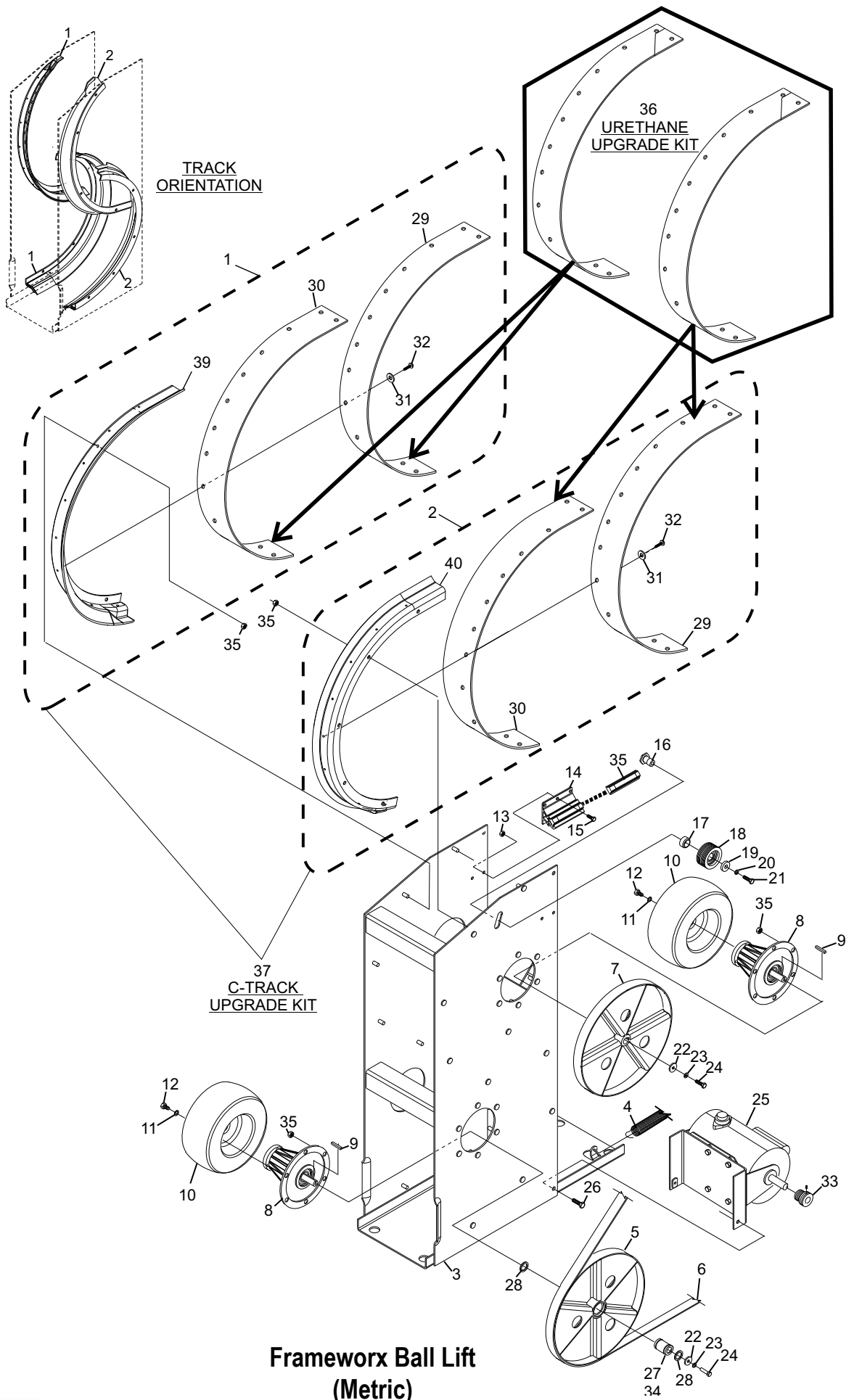
**Index**

<b>No.</b>	<b>Part No.</b>	<b>Description</b>
1.	53-520678-000	R.H. Ball Lift Track Assembly (upper and lower)
2.	53-520679-000	L.H. Ball Lift Track Assembly (upper and lower)
3.	53-520675-001	N.A. Ball Lift Weldment Assembly
	53-520696-001	R.O. Ball lift Weldment Assembly w/Hardware (metric)
4.	53-520234-000	Tension Spring
5.	53-520663-001	Lower Pulley w/Bearing Assembly
6.	53-520230-002	N.A. "V" Belt
	53-520235-000	R.O. Poly "V" Belt
	53-520235-600	R.O. Poly V-Belt (AP High Friction)
7.	53-520658-000	Ball Lift Upper Pulley
8.	53-520685-001	Ball Lift Bearing Housing
9.	10-620057-000	Square Key
10.	53-520060-000	Tire and Rim Assembly
11.	11-051770-001	Lockwasher (8 mm)
12.	11-051043-001	Hex Hd. Cap Screw (M8 x 12 mm)
13.	11-051743-001	Self-Locking Hex Nut (6 mm)
14.	53-520073-000	Ball Transition Assembly
15.	11-051035-001	Hex Hd. Cap Screw (M6 x 16 mm)
16.	53-520071-001	Bearing Stud
17.	53-520072-000	Spacer
18.	53-520244-000	Idler Assembly
19.	11-052018-001	Flat Washer (10.5 mm)
20.	11-051771-001	Lockwasher (M10)
21.	11-051028-001	Hex Head Cap Screw (M6 x 25 mm)
22.	11-052067-001	N.A. Flat Washer (7.4 mm)
23.	11-051769-001	Lockwasher (M6)
24.	11-051028-001	Hex Hd. Cap Screw (M6 x 25 mm)
25.	53-520704-001	N.A. Motor/Mount Bracket/Power Bracket Assembly
	53-860328-000	R.O. Ball lift Motor 115/230V 1/4 HP Pkg.
26.	11-051053-001	Hex Hd. Cap Screw (M8 x 40 mm)
27.	53-520421-000	Inner Ring
	53-520421-001	Inner Ring (Metric)
28.	11-051856-001	Retaining Ring (25 mm)
29.	53-520172-000	R.H. or L.H. Leather Track
30.	53-520686-000	R.H. or L.H. Rubber Track
31.	11-190006-001	Flat Washer (#10)
32.	11-081206-000	Truss Hd. Robertson Screw (10-24 x 5/8")
33.	53-520582-001	Poly V Sheave (Metric)
34.	11-500552-000	Clutch Bearing
35.	11-051744-001	Locknut (M8)
36.	90-520172-600	Frameworkx Urethane Track Kit - 2 pieces, includes one L.H. Track 90-520172-603 (replaces index 29 and index 30) and one R.H. Track 90-520172-602 (replaces index 29 and index 30).
37.	53-860174-000	Frameworkx C-Track Upgrade Kit (Consists of one each 53-520678-000 (index 1) and 53-520679-000 (index 2))

*N.A. = No Longer Available*

*R.O. = Replacement Option*

## Frameworkx Ball Lift (Metric)



**Framworx Ball Lift  
(Metric)**

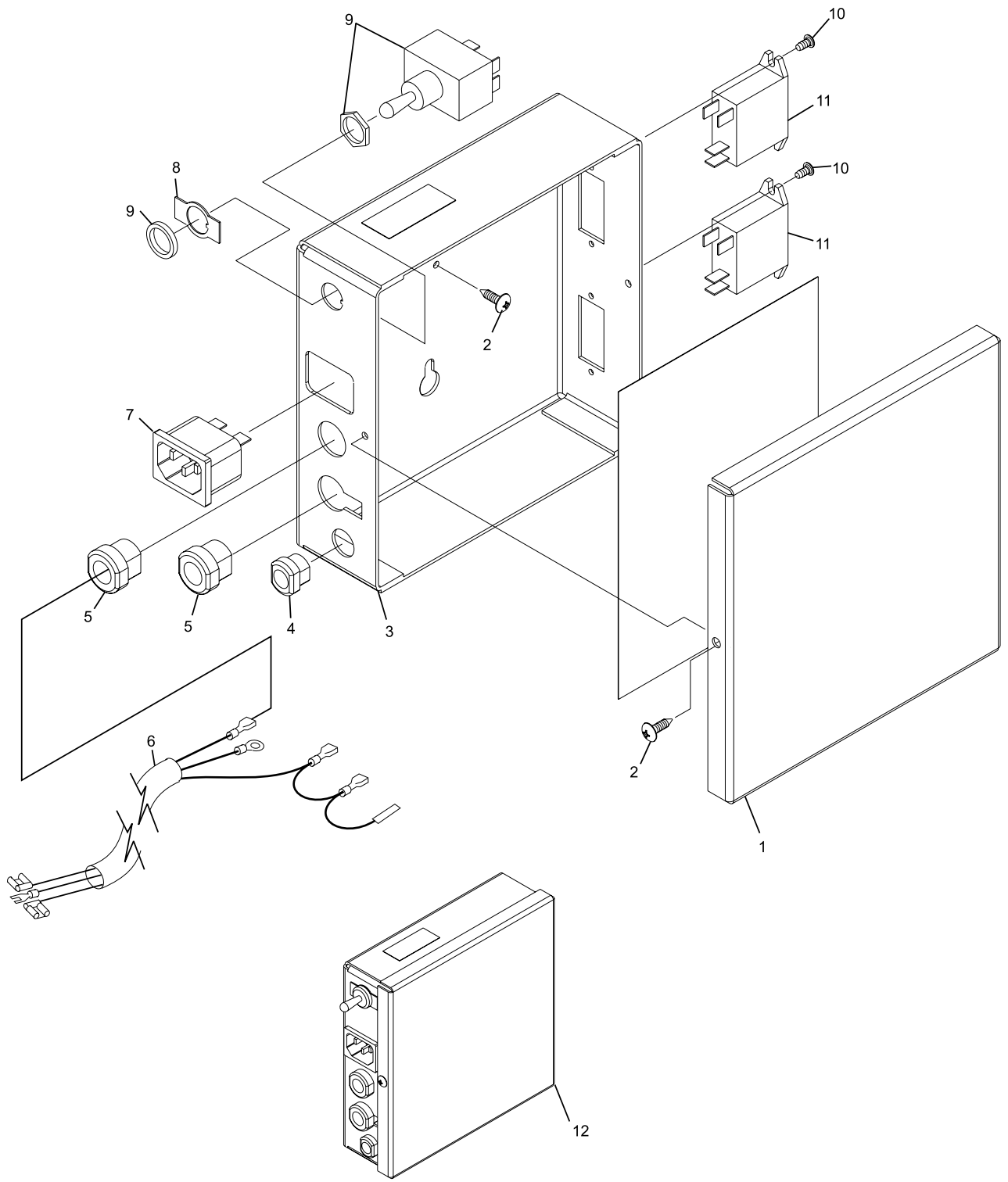
**Index**

<b>No.</b>	<b>Part No.</b>		<b>Description</b>
1.	53-520693-000		Cover
2.	11-082232-001		Truss Hd.C.R. Screw (#6 x 1/2")
3.	53-520691-000	N.A.	Enclosure
4.	11-611015-000		Strain Relief Bushing
5.	11-611016-000	N.A.	Strain Relief Bushing
6.	53-520701-000		Ball Lift Motor Cable Assembly
7.	11-686558-000		Power Receptacle
8.	11-616602-000		Plate-ON/OFF
9.	11-615522-000	N.A.	Toggle Switch
10.	N.A.		Pan Hd. C.R. Self Tapping Screw (#4 x .25")
11.	11-672523-000		Relay
12.	53-520692-000	N.A.	Ball Lift Control Box - Complete
	53-520715-000	R.O.	Ball Lift Control Box Assembly

*N.A. = No Longer Available*

*R.O. = Replacement Option*

NOTE: For cable from ball lift to pinsetter order part number  
53-860688-000.



### Frameworx Ball Lift Control Box (Version A)

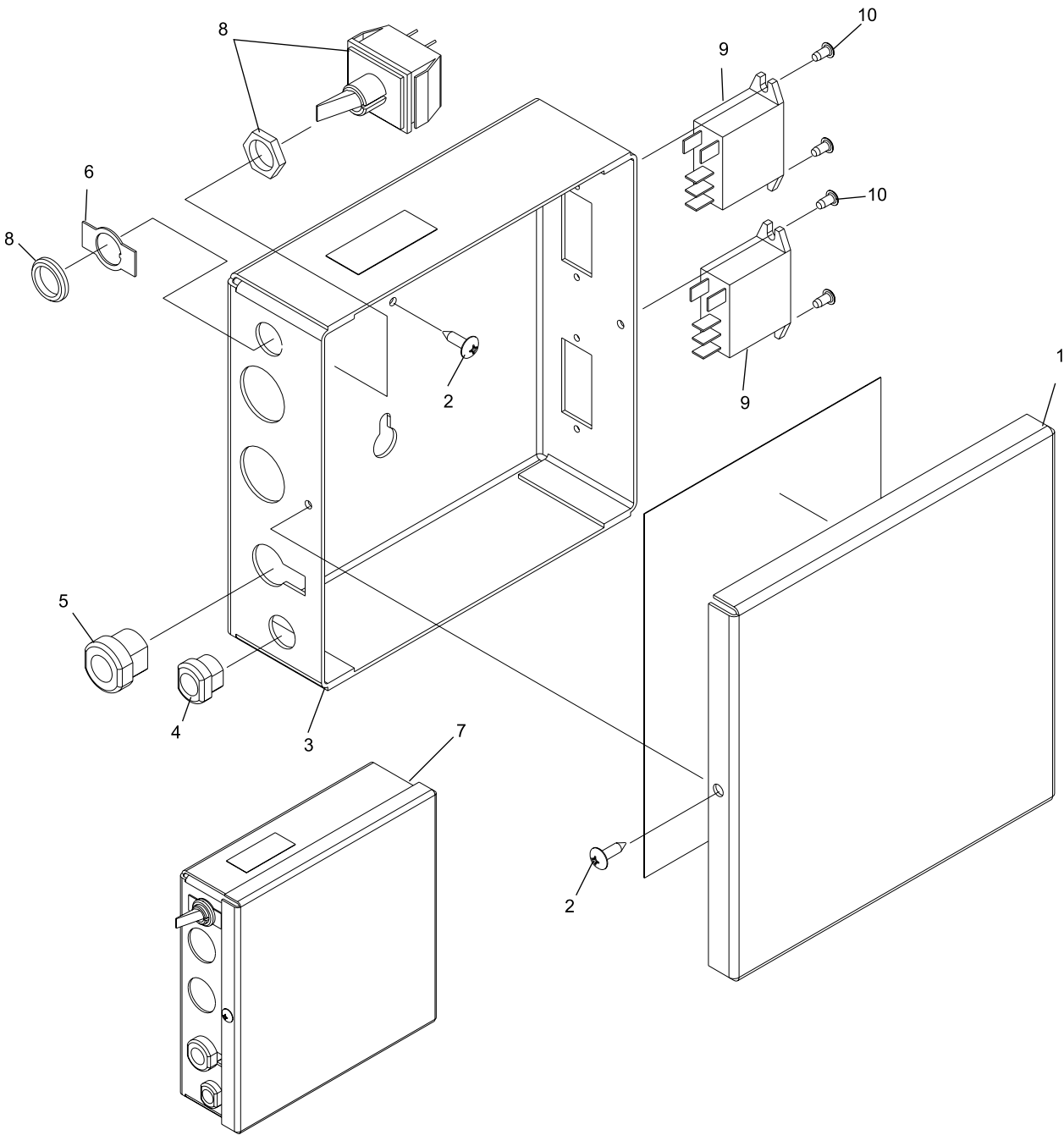
**Index**

<b>No.</b>	<b>Part No.</b>		<b>Description</b>
1.	53-520693-000		Cover
2.	11-082232-001		Truss Hd. C.R. Screw (6 x 1/2)
3.	53-520714-000	N.A.	Enclosure
4.	11-611015-000		Strain Relief Bushing
5.	11-611016-000	N.A.	Strain Relief Bushing
6.	11-616602-000		Plate-ON/OFF
7.	53-520715-000		Ball Lift Control Box - Complete
8.	11-615523-000		Toggle Switch
9.	11-672523-000		Relay
10.	11-087500-000	N.A.	Pan Hd.C.R. Self Tapping Screw (M2.9 x 9.5 mm)

*N.A. = No Longer Available*

**Frameworkx Ball Lift Control Box (Version B)**



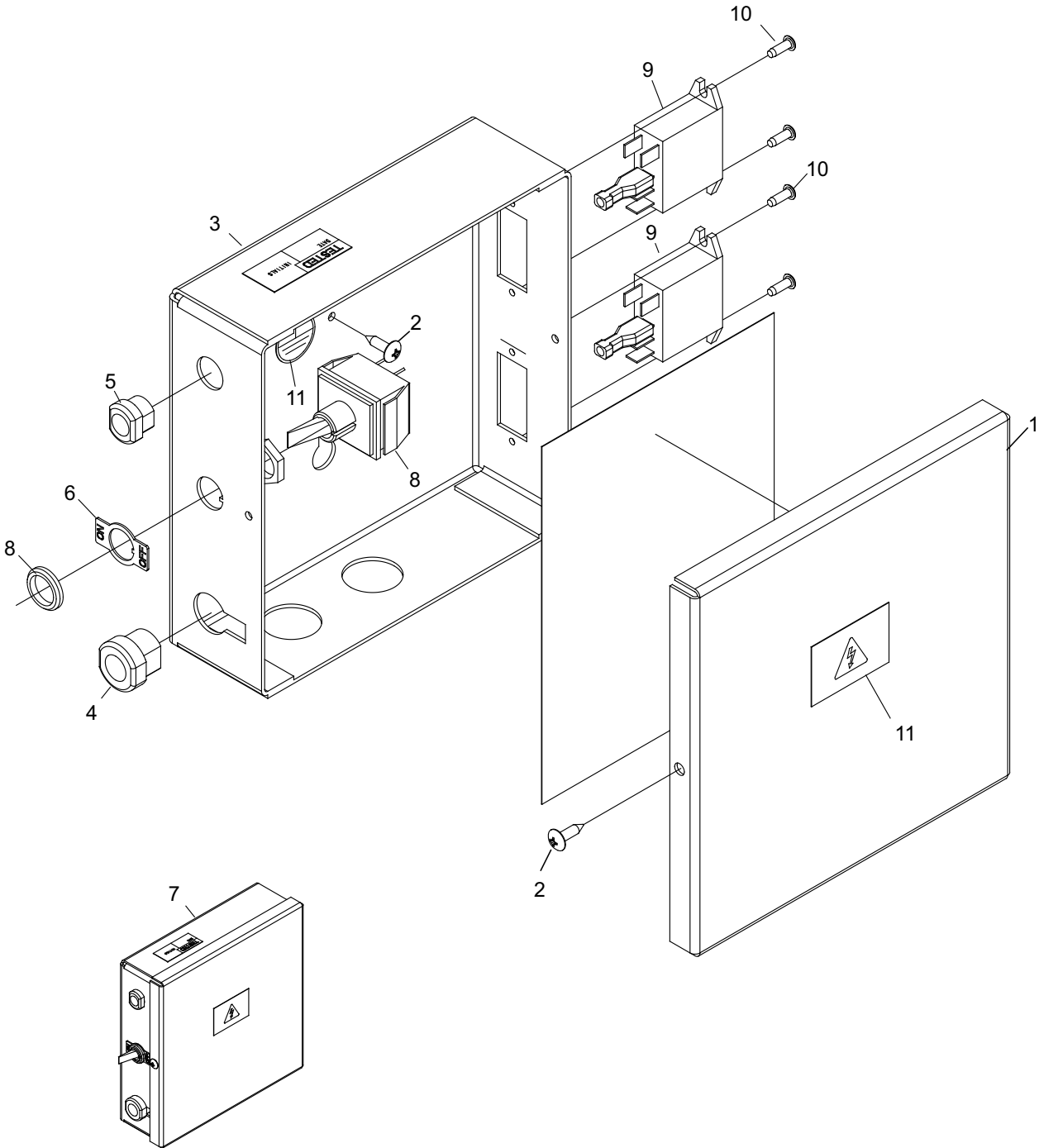


### Frameworkx Ball Lift Control Box (Version B)

**Index**

<b>No.</b>	<b>Part No.</b>		<b>Description</b>
1.	53-520693-000		Cover
2.	11-082232-001		Truss Hd. C.R. Screw (6 x 1/2)
3.	53-520714-000	N.A.	Enclosure
4.	11-611016-000		Strain Relief Bushing
5.	11-611015-000	N.A.	Strain Relief Bushing
6.	11-616602-000		Plate-ON/OFF
7.	53-520715-000		Ball Lift Control Box - Complete
8.	11-615523-000		Toggle Switch
9.	11-672523-000		Relay
10.	11-087500-000	N.A.	Pan Hd.C.R. Self Tapping Screw (M2.9 x 9.5 mm)

*N.A. = No Longer Available*



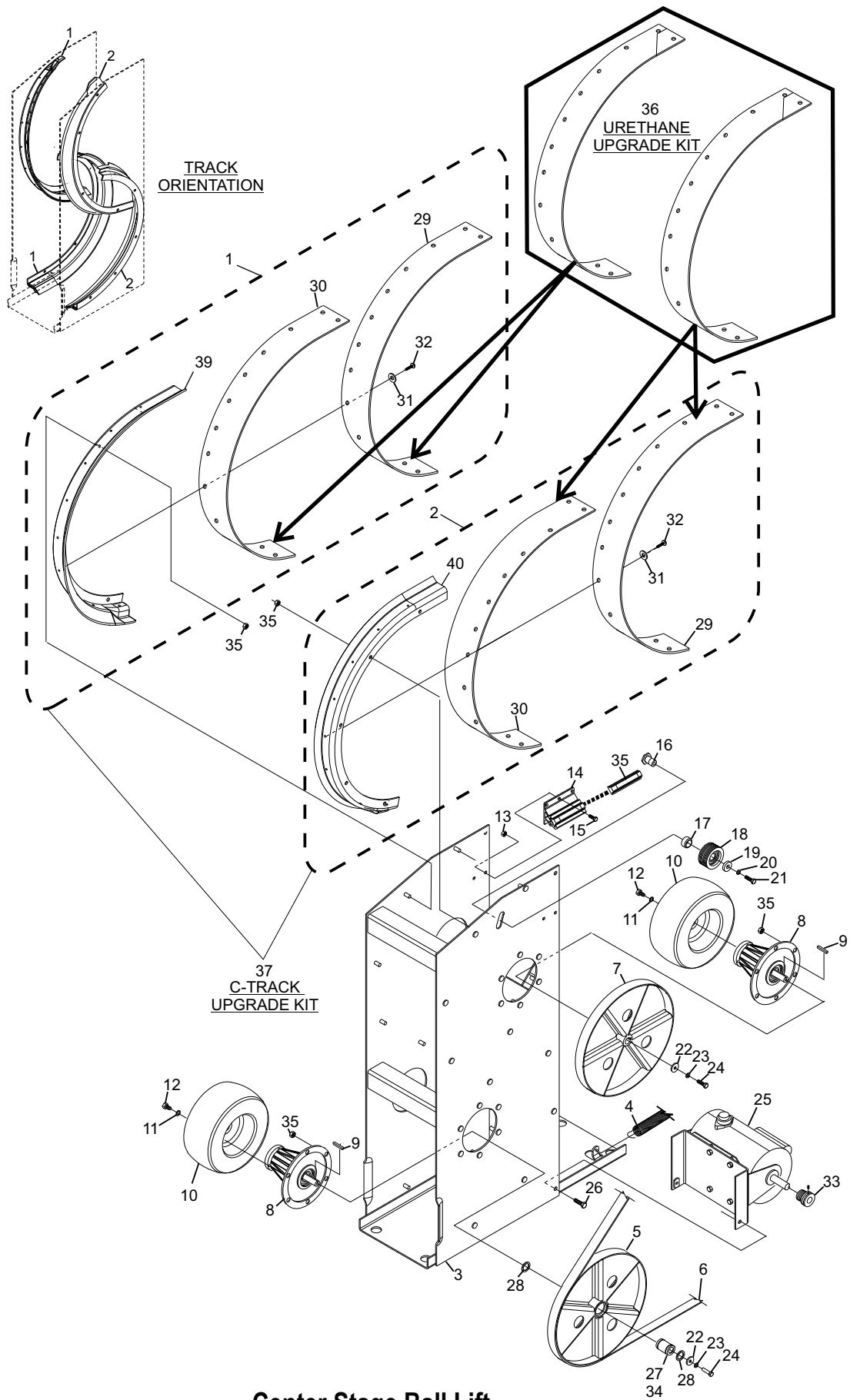
**Framework (Version C) / Center Stage (Non-Intellishield) Ball Lift Control Box**

**Index**

<b>No.</b>	<b>Part No.</b>	<b>Description</b>
1.	53-520678-000	R.H. Ball Lift Track Assembly (upper and lower)
2.	53-520679-000	L.H. Ball Lift Track Assembly (upper and lower)
3.	53-520675-001	Ball Lift Weldment Assembly
	53-520696-001	R.O. Ball lift Weldment Assembly w/Hardware (metric)
4.	53-520234-000	Tension Spring
5.	53-520663-001	Lower Pulley w/Bearing Assembly
6.	53-520230-002	"V" Belt
	53-520235-000	R.O. Poly "V" Belt
	53-520235-600	R.O. Poly V-Belt (AP High Friction)
7.	53-520658-000	Ball Lift Upper Pulley
8.	53-520685-001	Ball Lift Bearing Housing
9.	10-620057-000	Square Key
10.	53-520060-000	Tire and Rim Assembly
11.	11-051770-001	Lockwasher (8 mm)
12.	11-051043-001	Hex Hd. Cap Screw (M8 x 12 mm)
13.	11-051743-001	Self-Locking Hex Nut (6 mm)
14.	53-520073-000	Ball Transition Assembly
15.	11-051035-001	Hex Hd. Cap Screw (M6 x 16 mm)
16.	53-520071-001	Bearing Stud
17.	53-520072-000	Spacer
18.	53-520244-000	Idler Assembly
19.	11-052018-001	Flat Washer (10.5 mm)
20.	11-051771-001	Lockwasher (M10)
21.	11-051028-001	Hex Head Cap Screw (M6 x 25 mm)
22.	11-052067-001	Flat Washer (7.4 mm)
23.	11-051769-001	Lockwasher (M6)
24.	11-051028-001	Hex Hd. Cap Screw (M6 x 25 mm)
25.	53-520704-001	Motor/Mount Bracket/Power Bracket Assembly
	53-860328-000	R.O. Ball lift Motor 115/230V 1/4 HP Pkg.
26.	11-051053-001	Hex Hd. Cap Screw (M8 x 40 mm)
27.	53-520421-000	Inner Ring
	53-520421-001	Inner Ring (Metric)
28.	11-051856-001	Retaining Ring (25 mm)
29.	53-520172-000	R.H. or L.H. Leather Track
30.	53-520686-000	R.H. or L.H. Rubber Track
31.	11-190006-001	Flat Washer (#10)
32.	11-081206-000	Truss Hd. Robertson Screw (10-24 x 5/8")
33.	53-520582-001	Poly V Sheave (Metric)
34.	11-500552-000	Clutch Bearing
35.	11-051744-001	Locknut (M8)
36.	90-520172-600	Urethane Track Kit - 2 pieces, includes one L.H. Track 90-520172-603 (replaces index 29 and index 30) and one R.H. Track 90-520172-602 (replaces index 29 and index 30).
37.	53-860174-000	C-Track Upgrade Kit (Consists of one each 53-520678-000 (index 1) and 53-520679-000 (index 2))

*R.O. = Replacement Option*

**Center Stage Ball Lift**

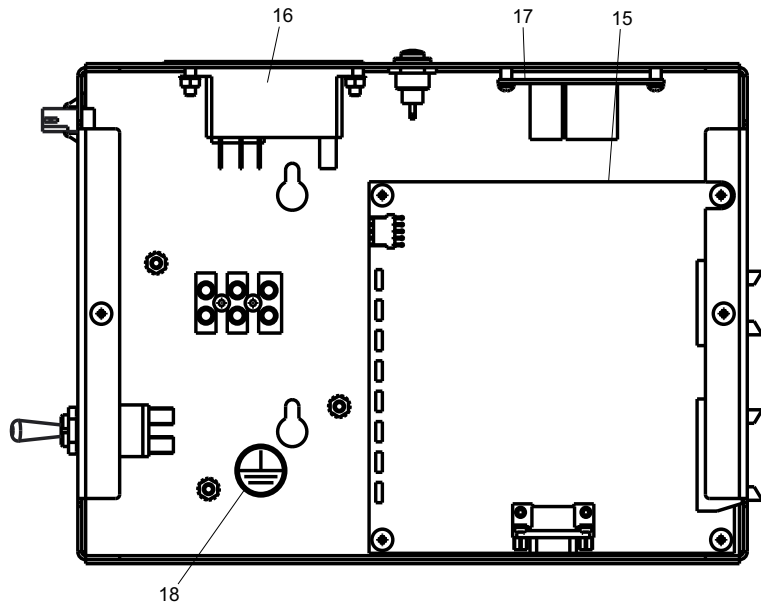
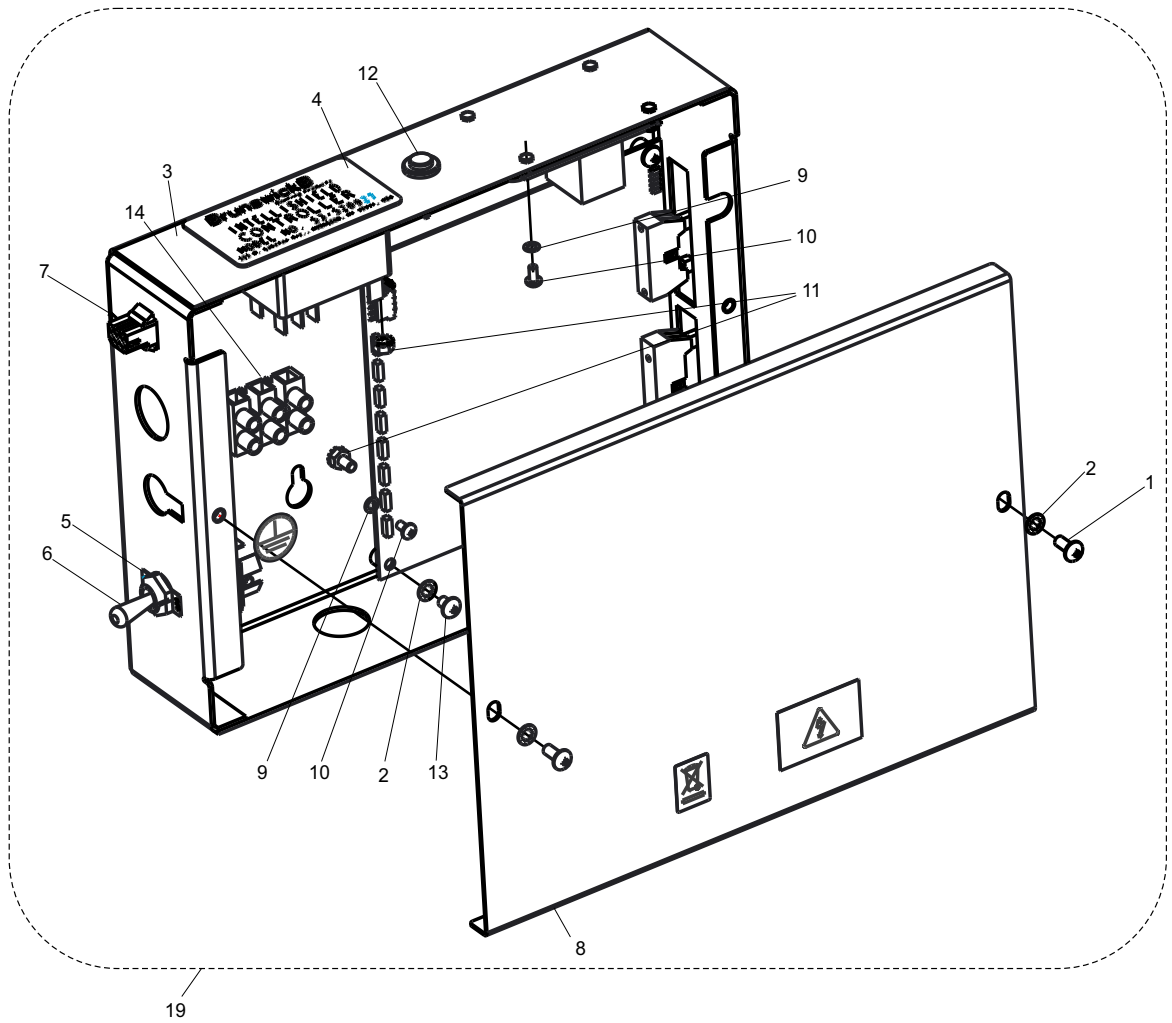


**Center Stage Ball Lift**

**Index**

<b>No.</b>	<b>Part No.</b>	<b>Description</b>
1.	11-053785-015	Screw - M4 X 10mm LG. P.H.C.R
2.	11-055003-015	Lockwasher - M4, Internal Tooth
3.	53-520928-000	Base
4.	53-520931-000	Label - Identification
5.	11-616602-000	Plate - On/Off Indicating
6.	11-615524-000	Toggle Switch - Double Pole, 16(4)A 250vac
7.	53-520914-000	Assy. - Cable, Ball Lift Contr. Input
8.	53-520929-000	Ass'y - Cover, Intellishield Controller
9.	11-055001-015	Lockwasher - M3, Internal Tooth
10.	11-053809-015	Screw - M3 X 6.0 Mm Lg., P.h.c.r
11.	11-055477-015	Lock Nut - M4, With Lockwasher
12.	53-520915-000	Assy. - Cable, Switch, Recalibration
13.	11-053814-015	Screw - M4 X 6.0 MM LG., P.H.C.R
14.	11-619031-000	Terminal - 3 Pos
15.	53-520902-401	Assy. - Intellishield Controller, Pcb
16.	11-672530-000	Relay
17.	53-520001-000	Power Supply
18.	11-681154-000	Label - Ground Symbol
19.	53-520927-401	Intellisheild Control Box - Complete

**Center Stage Ball Lift Control Box (Intellishield)**



**Center Stage Ball Lift Control Box (Intellishield)**