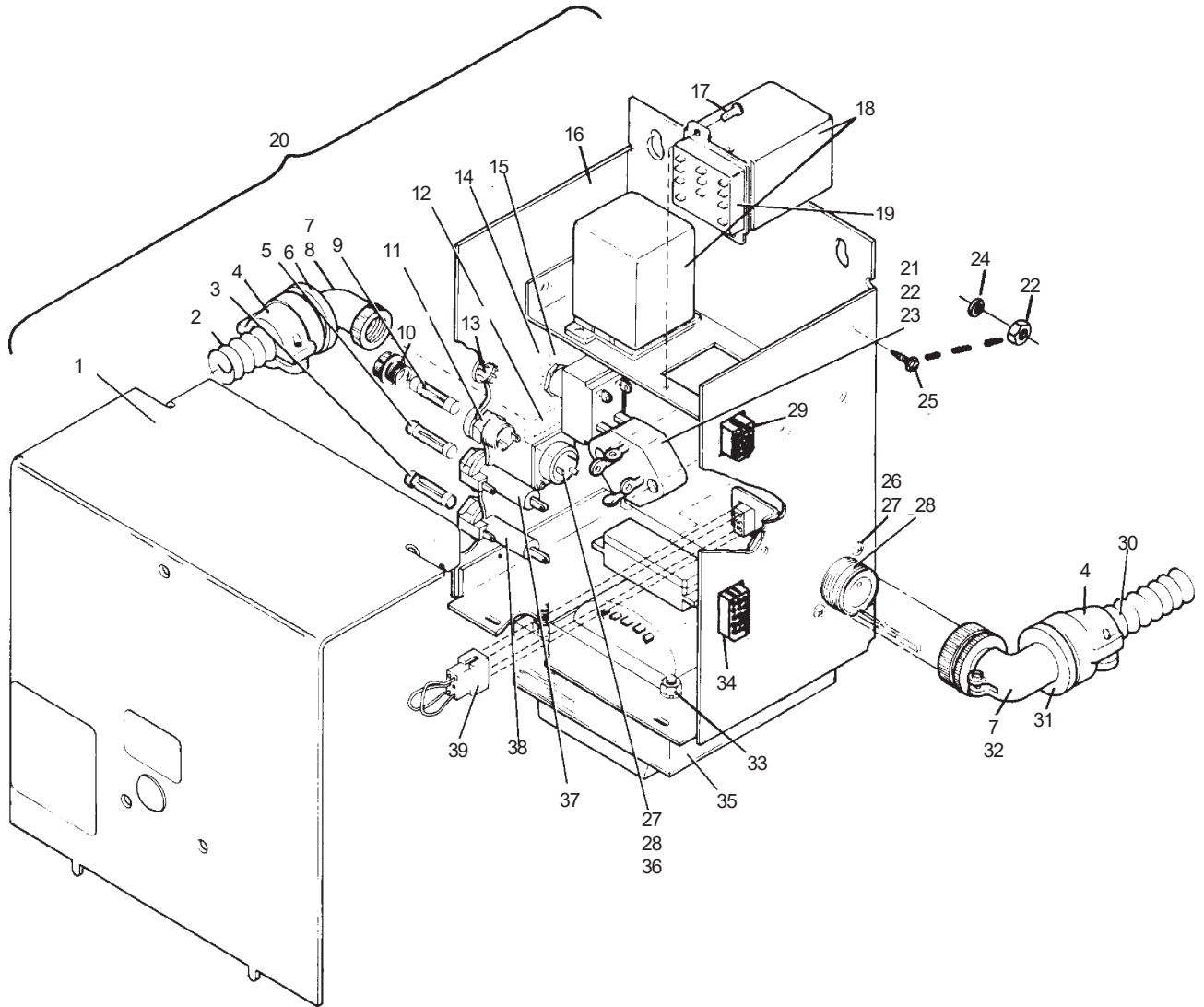


Index

No.	Part No.	Description
1.	N.A.	Cover
2.	53-600149-000	Wire Harness
3.	N.A.	Fuse (3.2 Amp)
4.	11-605128-000	Cable Clamp
5.	11-685013-000	Fuse (5 Amp)
6.	32-201654-000	Cable Clamp Adapter
7.	N.A.	Insulating Sleeve
8.	11-678904-000	90° Connector Plug
9.	11-685021-000	Fuse (2 Amp)
10.	N.A.	Fuse Cap Only
11.	53-600056-000	Fuseholder Assembly
12.	N.A.	Decal
13.	N.A.	Plug Button
14.	11-615502-000	Toggle Switch
15.	11-616602-000	Indicating Plate (On-Off)
16.	N.A.	Control Box Only
17.	N.A.	Self-Tapping C.R. Rd. Hd. Screw (#6 x 3/8")
18.	11-672600-000	Relay (24V)
19.	N.A.	Relay Socket (1/8" Wide Contact)
	11-672627-000	Relay Socket (3/16" Wide Contact)
20.	N.A.	Control Box Assembly - Complete
21.	N.A.	C.R. Rd. Hd. Machine Screw (4-40 x 5/8")
22.	11-170004-001	Self-Locking Nut (#8-32)
23.	N.A.	Bridge Rectifier
24.	11-190004-001	Flat Washer (#8)
25.	11-018003-001	C.R. Rd. Hd. Machine Screw (4-40 x 5/16")
26.	11-012253-001	C.R. Pan Hd. Machine Screw (4-40 x 5/16")
27.	11-170000-001	Self Locking Nut (4-40)
28.	11-678905-000	Receptacle (3 Contacts)
29.	11-680108-000	N.A. Connector Plug (12 Contacts)
30.	53-520212-000	Cable Assembly
31.	N.A.	Cable Clamp Adapter
32.	11-678906-000	N.A. 90° Angle Plug
33.	11-176007-001	Keys Nut (8-32)
34.	N.A.	Connector Plug (15 Contacts)
35.	N.A.	Transformer
36.	11-678903-000	Receptacle (3 Contacts)
37.	N.A.	Fuseholder (3.6 to 5 Amps)
38.	N.A.	Fuseholder (2.5 to 3.5 Amps)
39.	53-600119-002	N.A. Plug Assembly (110 VAC, 50/60 Hz)
	N.A.	Plug Assembly (115 VAC, 50/60 Hz)
	53-600119-004	N.A. Plug Assembly (200 VAC, 50/60 Hz)
	53-600119-005	N.A. Plug Assembly (250 VAC, 50/60 Hz)

N.A. = No Longer Available

**Power Lift Control Box
AMF Adapter**



**Power Lift Control Box
AMF Adapter**