

Index

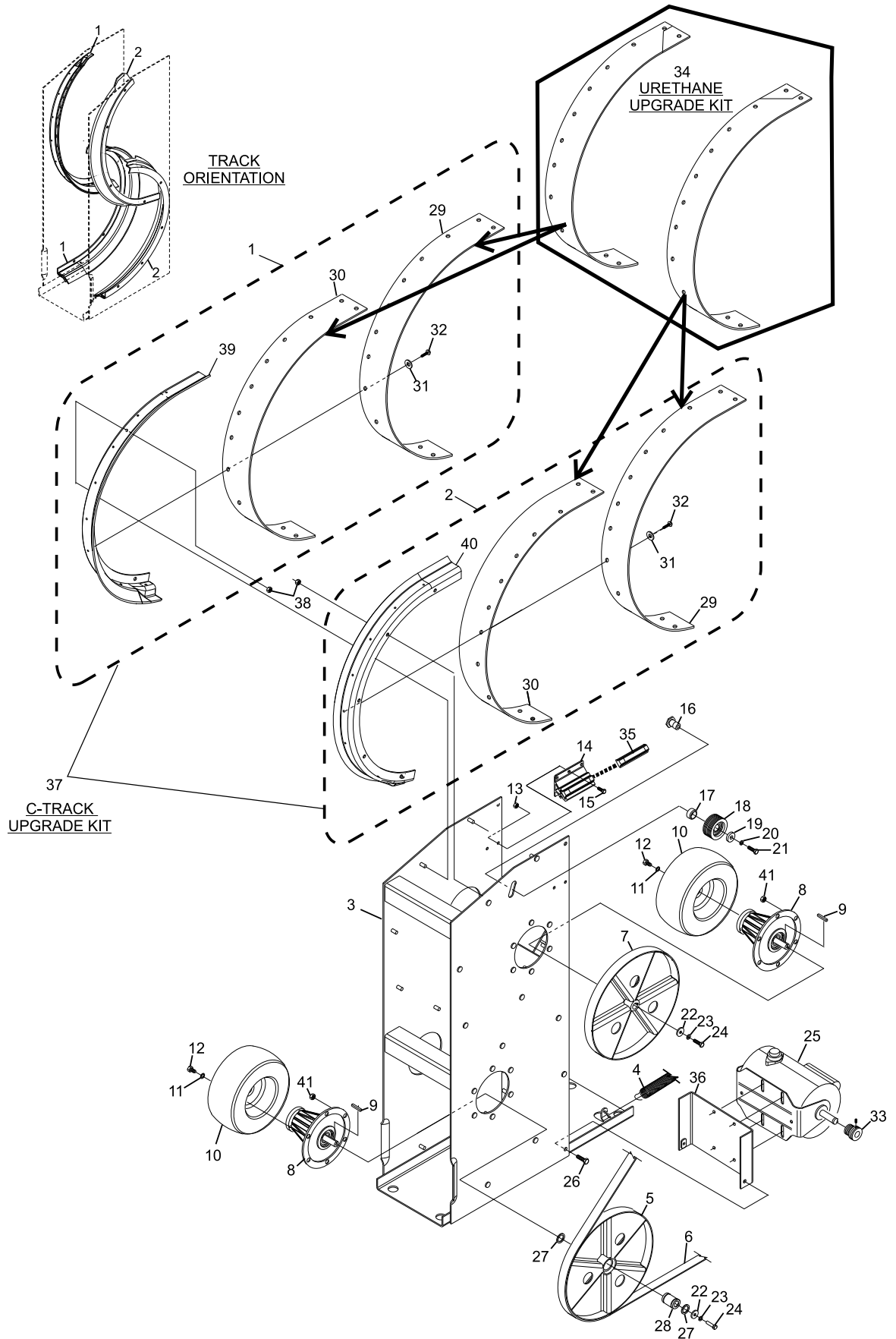
No.	Part No.		Description
1.	53-520678-000		R.H. Ball Lift Track Assembly (upper and lower)
2.	53-520679-000		L.H. Ball Lift Track Assembly (upper and lower)
3.	53-520675-000	N.A.	Ball Lift Weldment Assembly
	53-520696-001	R.O.	Ball Lift Weldment Assembly W/Hardware (metric)
4.	53-520234-000		Tension Spring
5.	53-520663-001		Lower Pulley w/Bearing Assembly
6.	53-520235-000		"V" Belt
7.	53-520658-000		Ball Lift Upper Pulley
8.	53-520685-000		Ball Lift Bearing Housing
9.	10-620057-000		Square Key (3/16 x 3/16 x 1-1/4)
10.	53-520060-000		Tire and Rim Assembly
11.	11-195015-001		Lockwasher (5/16")
12.	11-001258-001		Hex Hd. Cap Screw, (5/16-18 x 1/2")
13.	11-170007-001		Self-Locking Hex Nut (1/4-20)
14.	53-520073-000		Ball Transition Assembly
15.	11-001180-001		Hex Hd. Cap Screw, (1/4-20 x 5/8")
16.	53-520071-000		Bearing Stud
	52-520071-001		Bearing Stud - Metric
17.	53-520072-000		Spacer
18.	53-520244-000		Idler Assembly
19.	11-190014-001		Flat Washer (3/8")
20.	11-195016-001		Lock washer (3/8")
21.	11-001342-001		Hex Head Cap Screw (3/8-16 x 3/4")
22.	11-190530-001		Flat Washer (9/32")
23.	11-195014-001		Lockwasher (1/4")
24.	11-002004-001		Hex Hd. Cap Screw (1/4-20 x 1")
25.	*53-860325-000	N.A.	Motor/Mount Bracket/Power Bracket Assembly
	53-860328-000	R.O.	Ball lift Motor 115/230V 1/4 HP 1725 Pkg.
26.	11-002066-001		Hex Hd. Cap Screw (5/16-18 x 1-1/2")
27.	11-533019-000		Retaining Ring
28.	53-520421-000		Inner Ring
29.	53-520172-000		Leather Track
30.	53-520686-000		Rubber Track
31.	11-190006-001		Flat Washer (#10)
32.	11-081206-000		Truss Hd. Robertson Screw (10-24 x 5/8")
33.	53-520159-000		Poly V Sheave (1.32) .625 Dia. Shaft
	53-520582-000		Poly V Sheave (1") .625 Dia. Shaft
34.	90-520172-600		Frameworkx Urethane Track Kit - 2 pieces, includes one L.H. Track 90-520172-603 (replaces index 29 and index 30) and one R.H. Track 90-520172-602 (replaces index 29 and index 30).
35.	90-520075-600		Transition Track Advanced Performance
36.	53-520671-000	N.A.	Ball Lift Motor Support
	53-520671-001	R.O.	Support Bracket Ball Lift Motor (metric)
37.	53-860174-000		Frameworkx C-Track Upgrade Kit (Consists of one each 53-520678-000 (index 1) and 53-520679-000 (index 2)
38.	11-170009-001		Hex Nut Self Locking (5/16-18)
39.	53-520678-001	N.A.	R.H. Ball Lift Track (can be used as a R.H. upper or a R.H. lower)
40.	53-520679-001	N.A.	L.H. Ball Lift Track (can be used on a L.H. upper or on a L.H. lower)

N.A. = No Longer Available

R.O. = Replacment Option

* When using with B2000 Lift Mounting Plate 53-520671-001.

Frameworkx Ball Lift



Frameworx Ball Lift

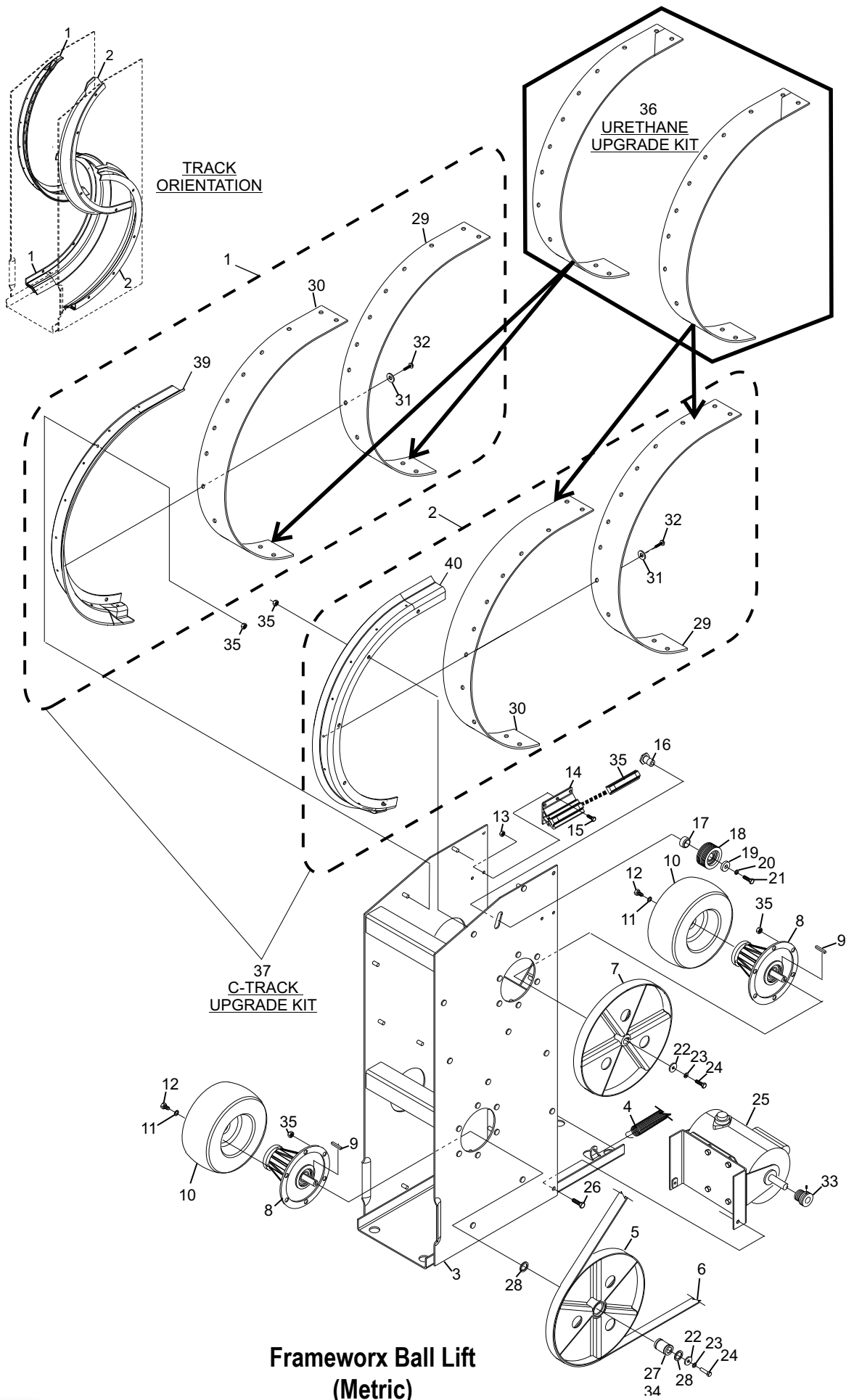
Index

No.	Part No.	Description
1.	53-520678-000	R.H. Ball Lift Track Assembly (upper and lower)
2.	53-520679-000	L.H. Ball Lift Track Assembly (upper and lower)
3.	53-520675-001	N.A. Ball Lift Weldment Assembly
	53-520696-001	R.O. Ball lift Weldment Assembly w/Hardware (metric)
4.	53-520234-000	Tension Spring
5.	53-520663-001	Lower Pulley w/Bearing Assembly
6.	53-520230-002	N.A. "V" Belt
	53-520235-000	R.O. Poly "V" Belt
	53-520235-600	R.O. Poly V-Belt (AP High Friction)
7.	53-520658-000	Ball Lift Upper Pulley
8.	53-520685-001	Ball Lift Bearing Housing
9.	10-620057-000	Square Key
10.	53-520060-000	Tire and Rim Assembly
11.	11-051770-001	Lockwasher (8 mm)
12.	11-051043-001	Hex Hd. Cap Screw (M8 x 12 mm)
13.	11-051743-001	Self-Locking Hex Nut (6 mm)
14.	53-520073-000	Ball Transition Assembly
15.	11-051035-001	Hex Hd. Cap Screw (M6 x 16 mm)
16.	53-520071-001	Bearing Stud
17.	53-520072-000	Spacer
18.	53-520244-000	Idler Assembly
19.	11-052018-001	Flat Washer (10.5 mm)
20.	11-051771-001	Lockwasher (M10)
21.	11-051028-001	Hex Head Cap Screw (M6 x 25 mm)
22.	11-052067-001	N.A. Flat Washer (7.4 mm)
23.	11-051769-001	Lockwasher (M6)
24.	11-051028-001	Hex Hd. Cap Screw (M6 x 25 mm)
25.	53-520704-001	N.A. Motor/Mount Bracket/Power Bracket Assembly
	53-860328-000	R.O. Ball lift Motor 115/230V 1/4 HP Pkg.
26.	11-051053-001	Hex Hd. Cap Screw (M8 x 40 mm)
27.	53-520421-000	Inner Ring
	53-520421-001	Inner Ring (Metric)
28.	11-051856-001	Retaining Ring (25 mm)
29.	53-520172-000	R.H. or L.H. Leather Track
30.	53-520686-000	R.H. or L.H. Rubber Track
31.	11-190006-001	Flat Washer (#10)
32.	11-081206-000	Truss Hd. Robertson Screw (10-24 x 5/8")
33.	53-520582-001	Poly V Sheave (Metric)
34.	11-500552-000	Clutch Bearing
35.	11-051744-001	Locknut (M8)
36.	90-520172-600	Frameworkx Urethane Track Kit - 2 pieces, includes one L.H. Track 90-520172-603 (replaces index 29 and index 30) and one R.H. Track 90-520172-602 (replaces index 29 and index 30).
37.	53-860174-000	Frameworkx C-Track Upgrade Kit (Consists of one each 53-520678-000 (index 1) and 53-520679-000 (index 2))

N.A. = No Longer Available

R.O. = Replacement Option

Frameworkx Ball Lift (Metric)



**Framworx Ball Lift
(Metric)**