

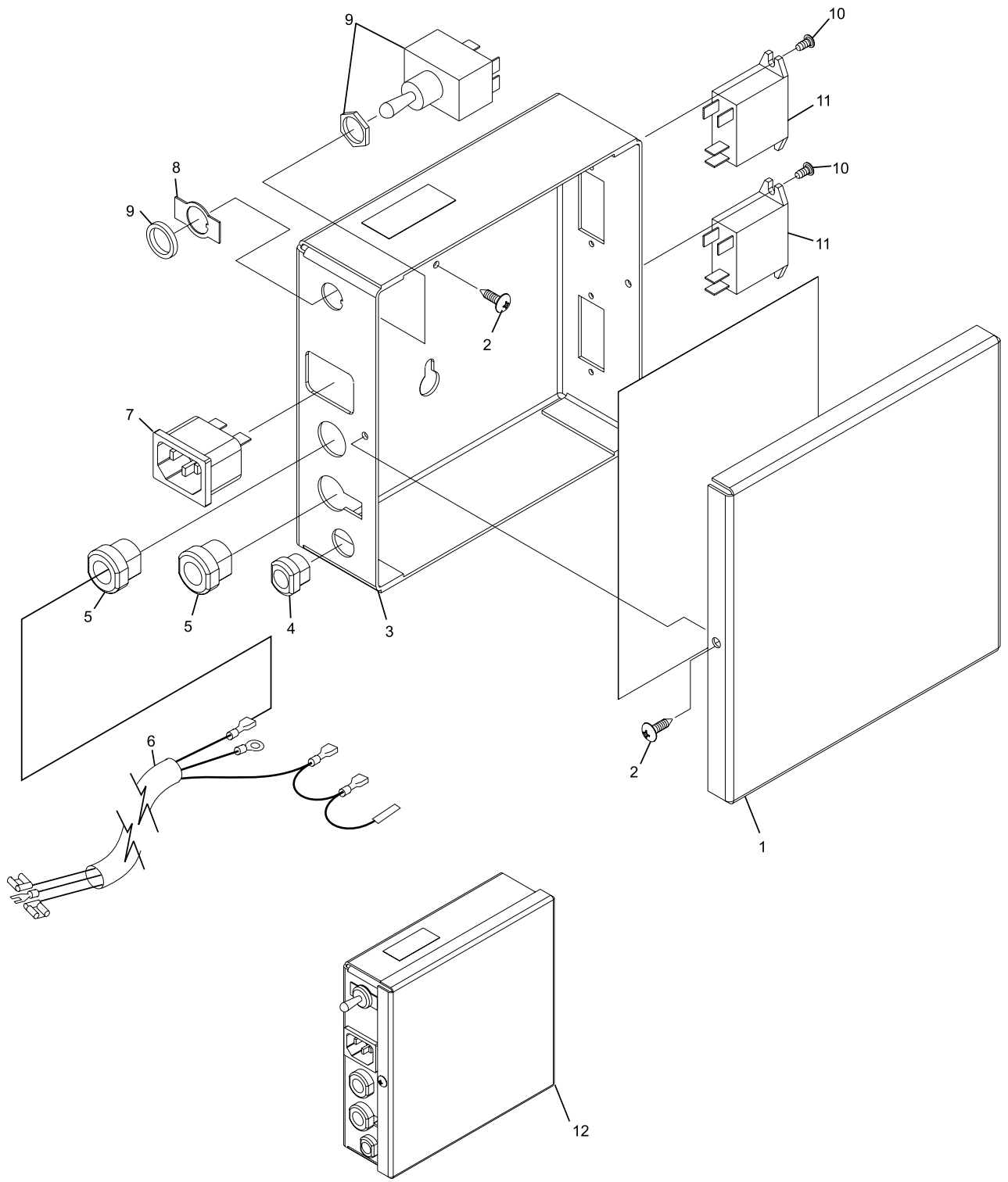
Index

No.	Part No.		Description
1.	53-520693-000		Cover
2.	11-082232-001		Truss Hd.C.R. Screw (#6 x 1/2")
3.	53-520691-000	N.A.	Enclosure
4.	11-611015-000		Strain Relief Bushing
5.	11-611016-000	N.A.	Strain Relief Bushing
6.	53-520701-000		Ball Lift Motor Cable Assembly
7.	11-686558-000		Power Receptacle
8.	11-616602-000		Plate-ON/OFF
9.	11-615522-000	N.A.	Toggle Switch
10.	N.A.		Pan Hd. C.R. Self Tapping Screw (#4 x .25")
11.	11-672523-000		Relay
12.	53-520692-000	N.A.	Ball Lift Control Box - Complete
	53-520715-000	R.O.	Ball Lift Control Box Assembly

N.A. = No Longer Available

R.O. = Replacement Option

NOTE: For cable from ball lift to pinsetter order part number
53-860688-000.



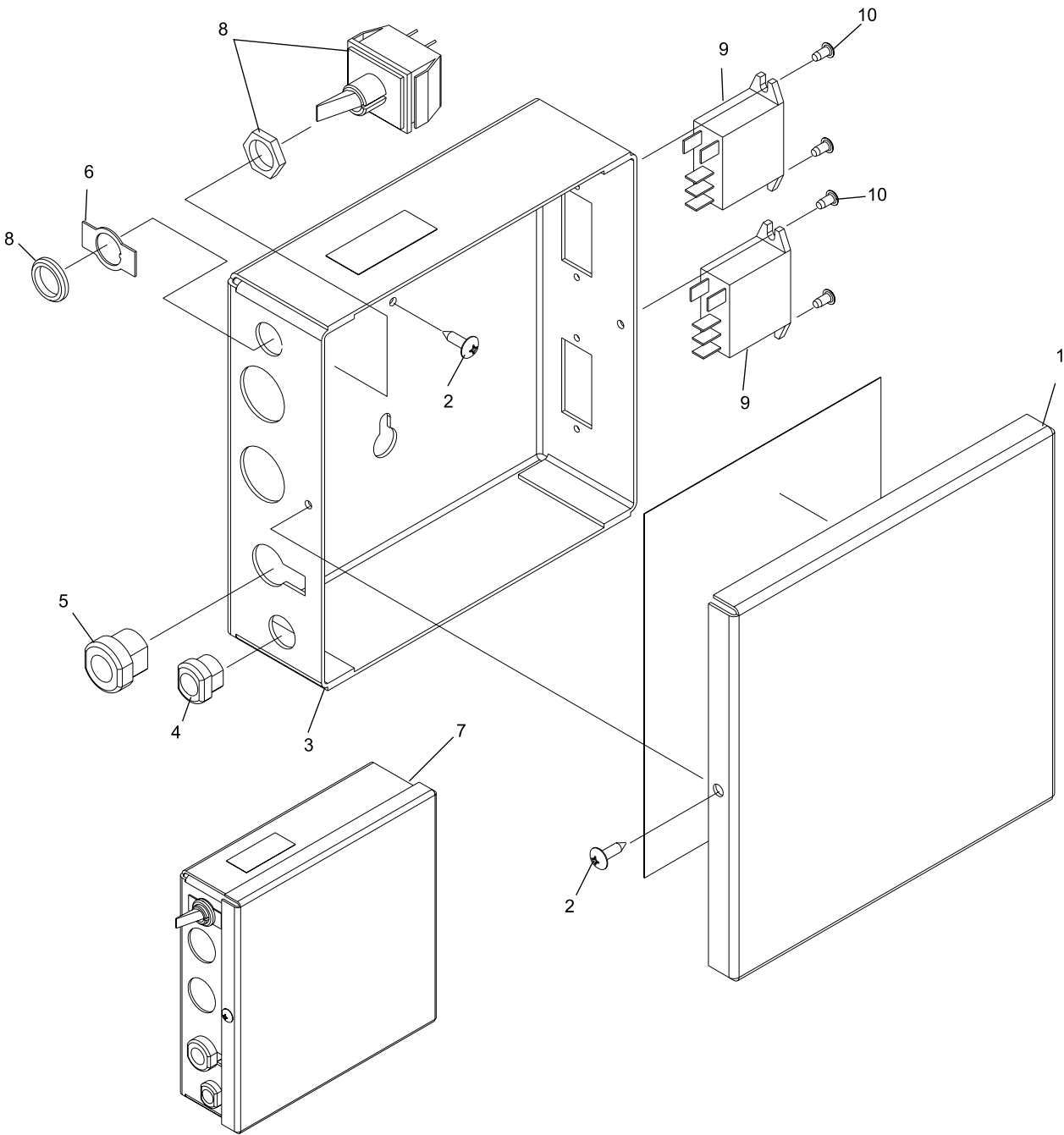
Frameworx Ball Lift Control Box (Version A)

Index

No.	Part No.		Description
1.	53-520693-000		Cover
2.	11-082232-001		Truss Hd. C.R. Screw (6 x 1/2)
3.	53-520714-000	N.A.	Enclosure
4.	11-611015-000		Strain Relief Bushing
5.	11-611016-000	N.A.	Strain Relief Bushing
6.	11-616602-000		Plate-ON/OFF
7.	53-520715-000		Ball Lift Control Box - Complete
8.	11-615523-000		Toggle Switch
9.	11-672523-000		Relay
10.	11-087500-000	N.A.	Pan Hd.C.R. Self Tapping Screw (M2.9 x 9.5 mm)

N.A. = No Longer Available

Frameworkx Ball Lift Control Box (Version B)

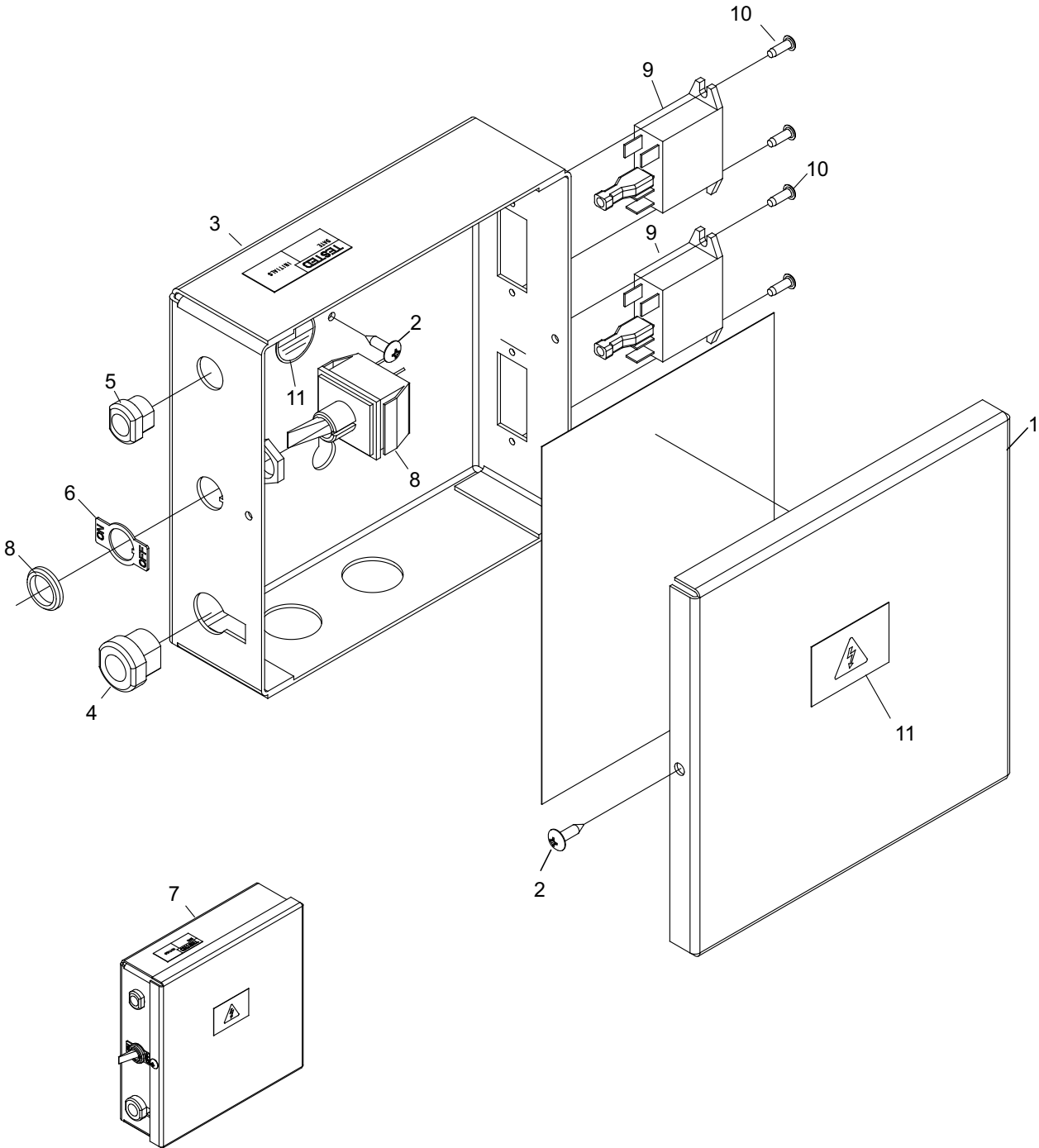


Frameworkx Ball Lift Control Box (Version B)

Index

No.	Part No.		Description
1.	53-520693-000		Cover
2.	11-082232-001		Truss Hd. C.R. Screw (6 x 1/2)
3.	53-520714-000	N.A.	Enclosure
4.	11-611016-000		Strain Relief Bushing
5.	11-611015-000	N.A.	Strain Relief Bushing
6.	11-616602-000		Plate-ON/OFF
7.	53-520715-000		Ball Lift Control Box - Complete
8.	11-615523-000		Toggle Switch
9.	11-672523-000		Relay
10.	11-087500-000	N.A.	Pan Hd.C.R. Self Tapping Screw (M2.9 x 9.5 mm)

N.A. = No Longer Available



Framework (Version C) / Center Stage (Non-Intellishield) Ball Lift Control Box