

Section P

LUSTRE KING

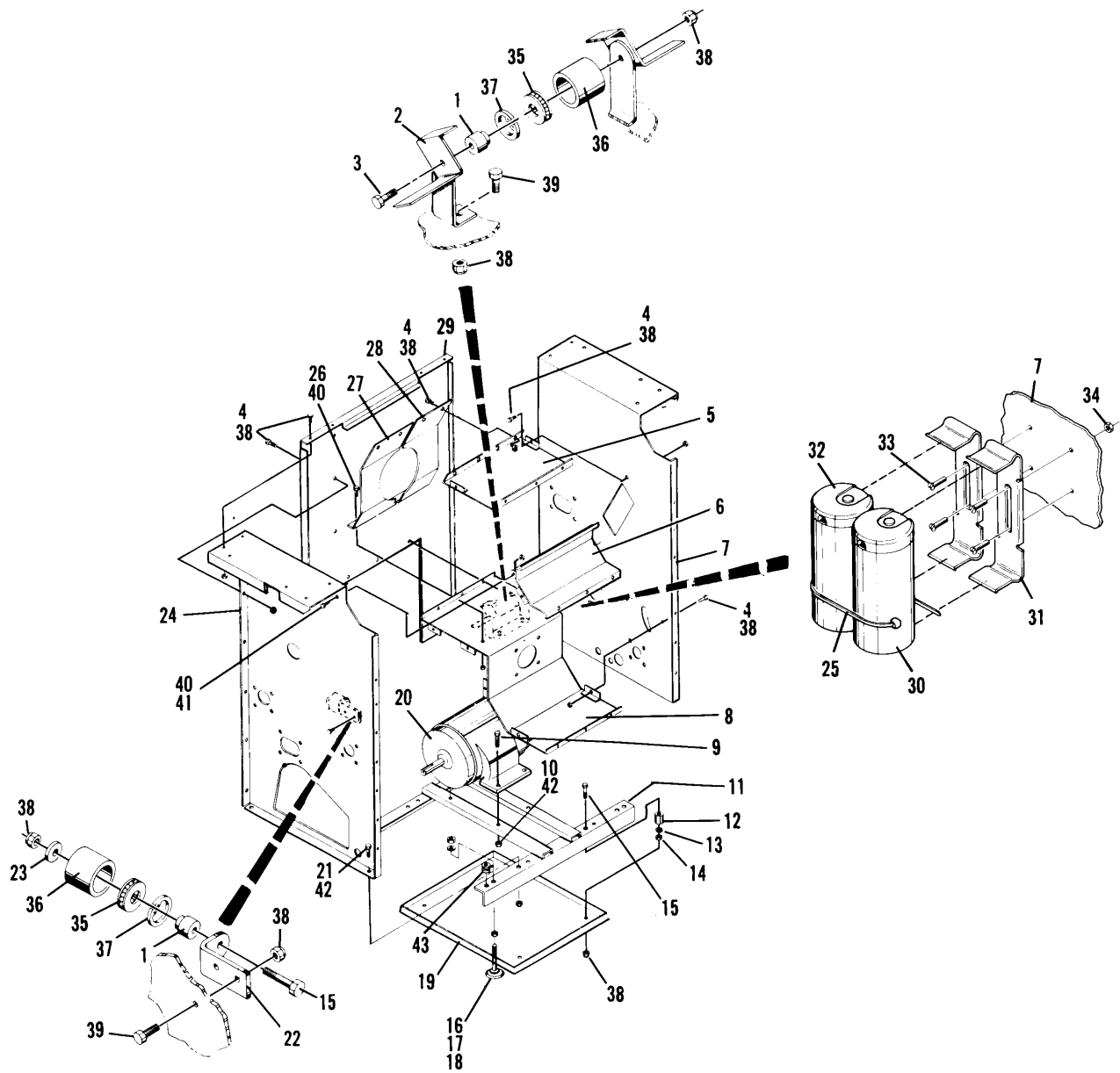
Index

| No. | Part No. | Description |
|------------|-----------------|--|
| 1. | 14-400068-000 | Spacer |
| 2. | N.A. | Guard Assembly |
| 3. | 11-001193-001 | Hex Hd. Cap Screw (1/4 x 2-1/4") |
| 4. | 11-001180-001 | Hex Hd. Cap Screw(1/4-20 x 5/8") |
| 5. | N.A. | Upper Baffle |
| 6. | N.A. | Front Baffle |
| 7. | N.A. | R.H. Side Frame (Serial # to 2439) |
| | N.A. | R.H. Side Frame (Serial #2440 and up) |
| 8. | N.A. | Baffle Assembly |
| 9. | 11-001346-001 | Hex Hd. Cap Screw (3/8-16 x 1-1/4") |
| | 11-001273-001 | Hex Hd. Cap Screw (5/16-18 x 2-1/4") |
| 10. | 11-170011-001 | Self Locking Nut (3/8-16) |
| 11. | N.A. | Lower Frame |
| 12. | N.A. | Spacer |
| 13. | 11-195014-001 | Lockwasher (1/4) |
| 14. | 11-125200-001 | Hex Jam Nut (1/4-20) |
| 15. | 11-001190-001 | Hex Hd. Cap Screw (1/4-20 x 1-3/4") |
| 16. | 11-195018-001 | Lockwasher (1/2) |
| 17. | 11-125108-001 | Hex Nut (1/2-13) |
| 18. | N.A. | Adjustable Foot |
| 19. | N.A. | Pan |
| 20. | 14-860023-000 | N.A. Motor - 115/230v 50/60 Hz (See Note) |
| 21. | 11-001262-001 | Hex Hd. Cap Screw (5/16-18 x 3/4") |
| 22. | 14-400034-000 | N.A. Bracket |
| 23. | 11-190530-001 | Flat Washer (1/4) |
| 24. | N.A. | L.H. Side Frame (Serial # to 2174) |
| | N.A. | L.H. Side Frame (Serial #2175 and up) |
| 25. | N.A. | Cable Tie |
| 26. | N.A. | Hex Hd. Cap Screw (10-24 x 9/16") |
| 27. | N.A. | L.H. Baffle |
| 28. | N.A. | R.H Baffle |
| 29. | N.A. | Rear Frame |
| 30. | 11-696211-000 | Capacitor (Use with 14-860023) |
| 31. | 14-400429-002 | N.A. Mounting Bracket |
| 32. | 14-400429-003 | N.A. Capacitor Cap |
| 33. | 11-014084-001 | N.A. Sltd. Flat Hd. Machine Screw (10-24 x 1/2") |
| 34. | 11-170104-001 | Self Locking Nut (10-24) |
| 35. | 11-430037-000 | Ball Bearing |
| 36. | 14-400105-000 | N.A. Guide Roller |
| 37. | 11-531504-000 | Retaining Ring |
| 38. | 11-170007-001 | Self Locking Nut (1/4-20) |
| 39. | 11-001182-001 | Hex Hd. Cap Screw (1/4-20 x 3/4") |
| 40. | 11-170005-001 | Self Locking Nut (10-24) |
| 41. | N.A. | Hex Hd. Cap Screw (10-24 x 1/2") |
| 42. | 11-170009-001 | Self Locking Nut (5/16-18) |
| 43. | 14-400272-000 | N.A. Grommet |

N.A. = No Longer Available

NOTE: Used on Astroline Models Serial #2603 thru 2963, 3104 and up, all Astro 2 models and all "2000" model Lustre Kings.

Lustre King Ball Conditioner Cabinet & Frame Assembly

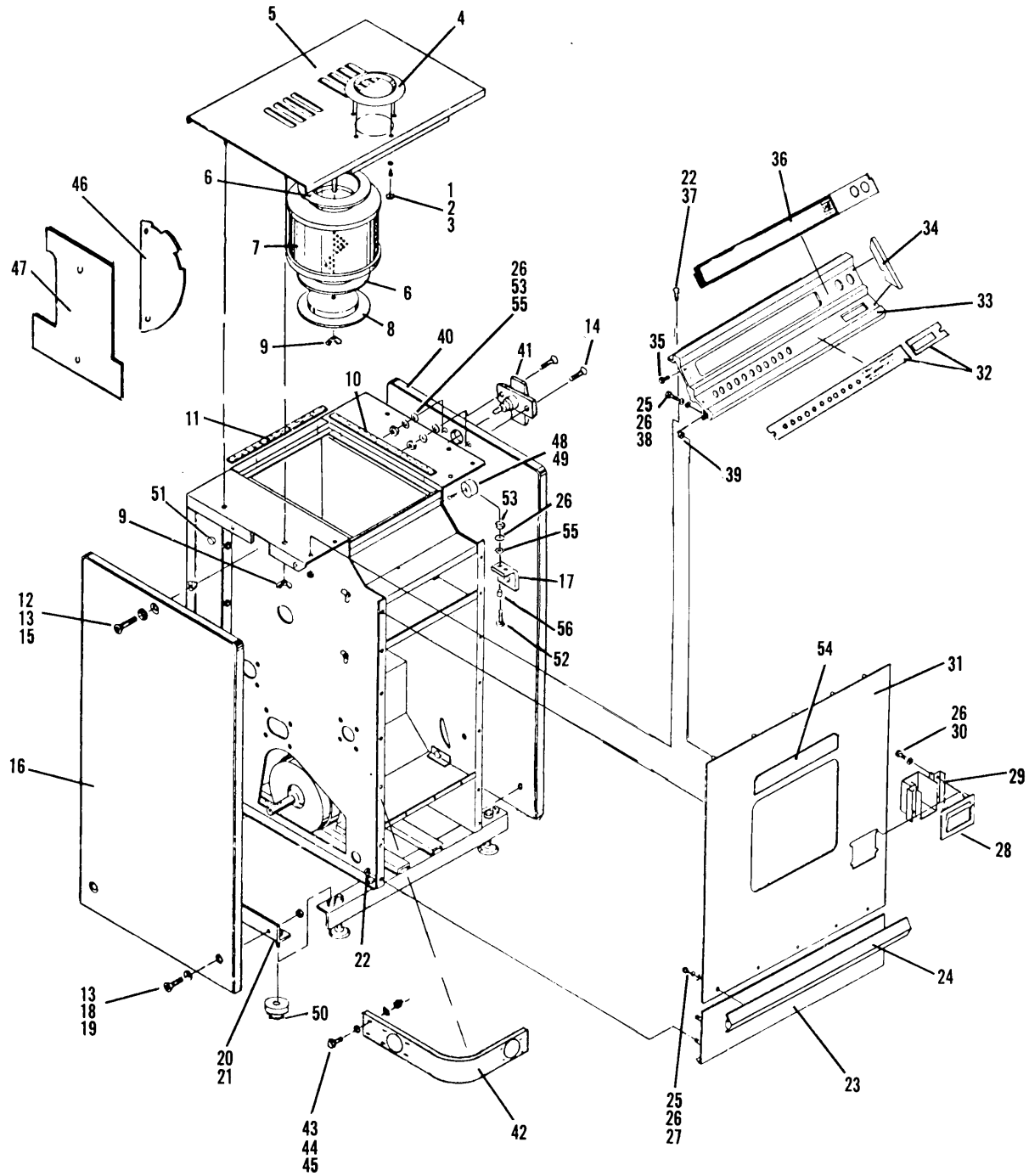


**Lustre King Ball Conditioner
Cabinet & Frame Assembly**

| Index | | | Index | | |
|-------|---------------|--|---------------|---------------|---|
| No. | Part No. | Description | No. | Part No. | Description |
| 1. | 11-253008-001 | N.A. Plug Button | 32. | N.A. | Decal (Black/Gold) |
| 2. | N.A. | C.R. Rd. Hd. Self Tapping Screw (#8 x 1/2") | | N.A. | Decal (Astroline Black/White) |
| 3. | 11-195008-001 | Lockwasher (#8) | 14-400492-010 | N.A. | Decal - "2000" Black/White (25¢ - 50¢ - \$1.00) |
| 4. | N.A. | Ball Ring (Gray) | 14-400492-012 | N.A. | Conversion Decal (50¢ - 75¢ - \$1.00) |
| 5. | 14-400230-002 | N.A. Ball Ring - (Brown) | 14-400492-022 | N.A. | Decal - "2000" Black/ White (50¢ - 75¢ - \$1.00) |
| | N.A. | Top Assembly (Gray) | | | Control Panel Only |
| | N.A. | Top Assembly ("2000" Brown Spatter) | 33. | N.A. | End Bock |
| 6. | 14-400165-000 | Filter Gasket | 34. | N.A. | Self Tapping Hex Hd. Washer Screw (#8 x 3/8") |
| 7. | 14-400147-000 | Filter | 35. | 11-081010-001 | N.A. Decal (Black/Gold) |
| 8. | 14-400164-000 | Filter Retainer | 36. | N.A. | Decal (Blue/White) |
| 9. | 11-149003-001 | Self Locking Wing Nut (10-24) | 37. | N.A. | Hex Hd. Cap Screw (10-24 x 1/2") |
| 10. | 14-400167-000 | Cover Gasket (10-7/8") | 38. | 11-010081-001 | Hex Hd. Cap Screw (10-24 x 3/4") |
| 11. | 14-400166-000 | Cover Gasket (13-3/4") | 39. | 10-386143-000 | Spacer |
| 12. | N.A. | Flat Socket Hd. Cap Screw (5/16-18 x 1-1/2") | 40. | N.A. | R.H. Side Panel Assy. (Wood Grain) |
| 13. | N.A. | Countersunk Lockwasher (5/16) | | N.A. | R.H. Side Panel Assy. - Gray (Both Sides) |
| 14. | 11-014091-004 | N.A. C.R. Flat Hd. Machine Screw (10-24 x 1-1/8") | | N.A. | R.H. Side Panel Assy. - Gray (Outside) White (Inside) |
| 15. | N.A. | Quick Release Fastener | | 14-400491-000 | N.A. R.H. Side Panel Assy. - Astro 2 White |
| 16. | N.A. | L.H. Side Panel Assy. (Wood Grain) | | N.A. | R.H. Side Panel Assy. - "2000" Ermine White |
| | N.A. | L.H. Side Panel Assy. - Gray (Both Sides) Serial #2175 and up. | 41. | N.A. | Lock w/2 Keys |
| | N.A. | L.H. Side Panel Assy. - Gray (Both Sides) | 42. | 11-640051-000 | Flush Handle Lock w/2 Keys |
| | N.A. | L.H. Side Panel Assy. - Gray (Outside) and White (Inside) | 43. | N.A. | Brace |
| | 14-400491-000 | N.A. L.H. Side Panel Assy. (Astro 2 White) | 44. | 11-190010-001 | Hex Hd. Cap Screw (1/4-20 x 3/4") |
| | N.A. | L.H. Side Panel Assy. "2000" (Ermine White) | 45. | 11-170007-001 | Flat Washer (1/4) |
| 17. | 14-400289-000 | Lock Screw Bracket | 46. | 14-400250-000 | N.A. Self Locking Nut (1/4-20) |
| 18. | 11-014192-004 | N.A. C.R. Flat Hd. Machine Screw (5/16-18 x 1-1/4") | 47. | 14-400247-000 | N.A. Buffing Wheel Adjustment Template |
| 19. | 11-170009-001 | Self Locking Nut (5/16-18) | 48. | N.A. | Roller Adjustment Template |
| 20. | N.A. | L.H. Angle Bracket | 49. | 11-082096-001 | N.A. Rubber Bumper |
| 21. | N.A. | R.H. Angle Bracket | 50. | 14-400272-000 | N.A. Self Tapping C.R. Rd. Hd. Screw (#10 x 1") |
| 22. | 11-170005-001 | Self Locking Nut (10-24) | 51. | N.A. | Grommet |
| 23. | N.A. | Front Panel Assy. (Gray) | 52. | 11-001060-001 | Rubber Bumper |
| | N.A. | Front Panel Assy. (Astro 2 Brown) | 53. | 11-125004-001 | Hex Hd. Cap Screw (10-24 x 5/8") |
| | N.A. | Front Panel Assy. ("2000" Brown Spatter) | 54. | N.A. | Hex Nut (10-24) |
| 24. | N.A. | Front Moulding | | N.A. | Decal - "Door Opens" (Black/Gold) |
| 25. | 11-190006-001 | Flat Washer (#10) | | N.A. | Decal - "Door Opens" (Blue/White) |
| 26. | 11-195010-001 | Lockwasher (#10) | 55. | N.A. | Flat Washer |
| 27. | N.A. | Self Tapping Hex Hd. Washer Screw (#10 x 1/2") | 56. | 10-386180-000 | Spacer (3/16 x 1/4) |
| 28. | N.A. | Coin Receptacle Front | | | |
| 29. | N.A. | Coin Return Cup | | | |
| 30. | N.A. | Slt'd. Rd. Hd. Machine Screw (10-32 x 1/2") | | | |
| 31. | N.A. | Front Panel Assy. (Copper Spatter) | | | |
| | N.A. | Front Panel Assy. (Astroline Gray) | | | |
| | N.A. | Front Panel Assy. ("2000" Ermine White Spatter) | | | |

N.A. = No Longer Available

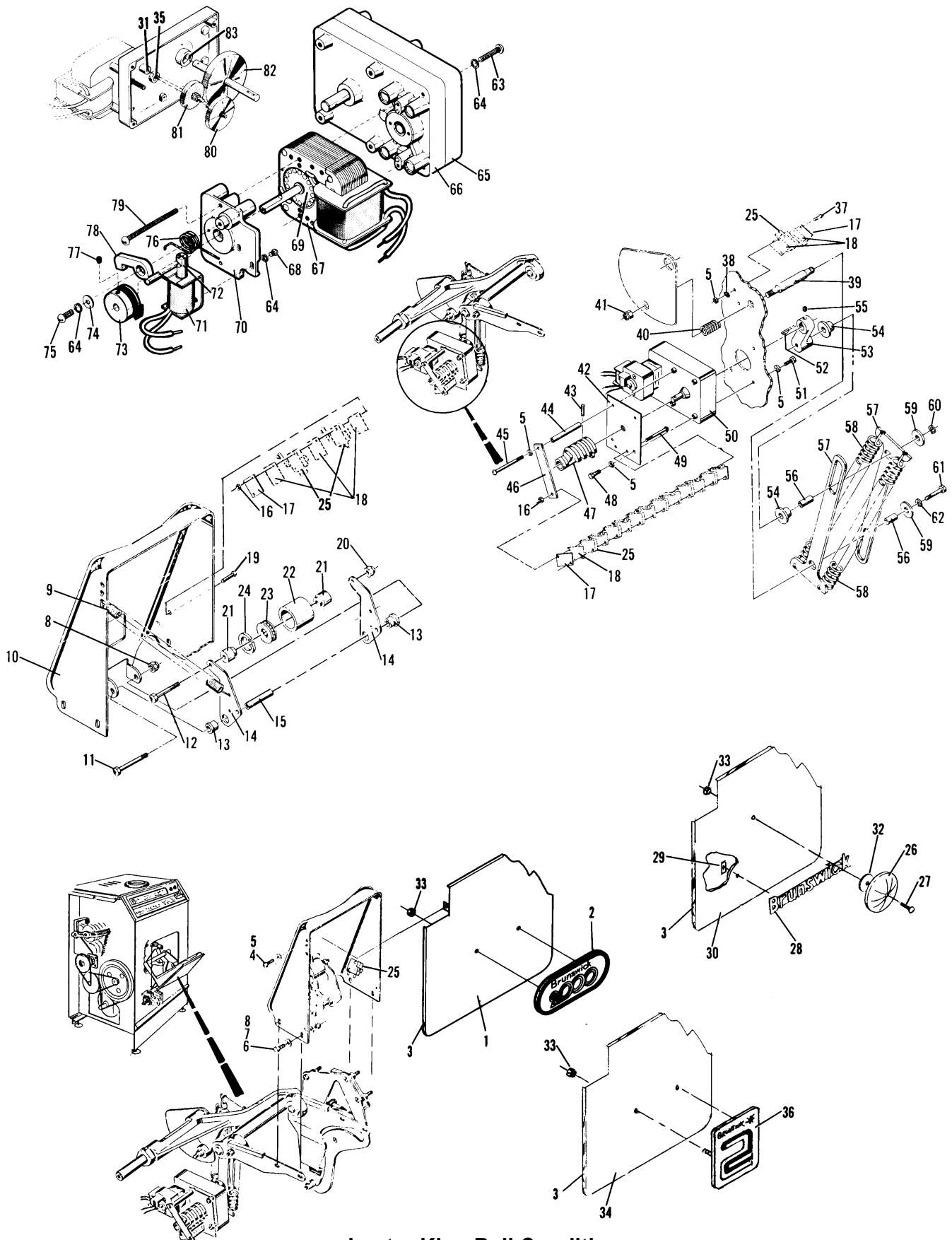
Lustre King Ball Conditioner Cabinet & Frame Assembly



| Index | | | Index | | |
|-------|---------------|---|-------|---------------|---|
| No. | Part No. | Description | No. | Part No. | Description |
| 1. | N.A. | Door Only ("2000" White Spatter) | 40. | N.A. | Spring |
| | N.A. | Door Assembly - Complete ("2000" White Spatter) | 41. | 11-170011-001 | Self Locking Nut (3/8-16) |
| 2. | N.A. | Emblem Assembly | 42. | N.A. | Mounting Plate |
| 3. | 14-400222-000 | N.A. Door Seal | 43. | 11-345158-001 | Roll Pin (.125 x 3/4) |
| 4. | 11-001056-001 | N.A. Hex Hd. Cap Screw (10-24 x 3/8") | 44. | 10-386147-000 | N.A. Spacer (7/32 x 2-1/2) |
| 5. | 11-195010-001 | Lockwasher (#10) | 45. | 11-107119-001 | Slt'd. Rd. Hd. Machine Screw (10-32 x 3") |
| 6. | 11-001182-001 | Hex Hd. Cap Screw (1/4-20 x 3/4") | 46. | N.A. | Brace |
| 7. | 11-190010-001 | Flat Washer (1/4) | 47. | N.A. | Timing Cam |
| 8. | 11-170007-001 | Self Locking Nut (1/4-20) | 48. | 11-001096-001 | Hex Hd. Cap Screw (10-32 x 3/8") |
| 9. | 14-400047-000 | N.A. Spring | 49. | 11-070019-001 | N.A. Slt'd. Rd. Hd. Machine Screw (4-40 x 3") |
| 10. | N.A. | Door Track | 50. | 10-705039-000 | N.A. Gear Motor |
| 11. | 11-001194-001 | Hex Hd. Cap Screw (1/4-20 x 2-1/2") | 51. | 11-001098-001 | N.A. Hex Hd. Cap Screw (10-32 x 1/2") |
| 12. | 11-001192-001 | Hex Hd. Cap Screw (1/4-20 x 2") | 52. | 11-050001-000 | N.A. Woodruff Key (3/32 x 1/2) |
| 13. | 11-421104-000 | Oilite Bearing | 53. | 14-400054-000 | N.A. Crank |
| 14. | N.A. | Bracket | 54. | 11-421116-000 | Oilite Bearing |
| 15. | N.A. | Spacer | 55. | 11-101553-001 | Set Screw w/ Nylok (10-24 x 3/8") |
| 16. | 11-170000-001 | Self Locking Nut (4-40) | 56. | 10-386129-000 | Spacer (17/64 x 15/32) |
| 17. | 14-400225-000 | N.A. Backing Plate | 57. | 14-400032-000 | N.A. Crank Link |
| 18. | 11-617501-000 | Fabric Insulator | 58. | 14-400035-000 | N.A. Spring |
| 19. | 11-107012-001 | Slt'd. Rd. Hd. Machine Screw (4-40 x 1-1/4") | 59. | 11-190511-001 | Flat Washer |
| 20. | 11-170106-001 | Self Locking Nut (1/4-20) | 60. | 11-530012-001 | Retaining Ring |
| 21. | 14-400068-000 | Spacer | 61. | 11-001185-001 | Hex Hd. Cap Screw (1/4-20 x 1-1/8") |
| 22. | 14-400105-000 | N.A. Guide Roller | 62. | 11-195014-001 | Lockwasher (1/4) |
| 23. | 11-430037-000 | Ball Bearing | 63. | N.A. | Slt'd. Rd. Hd. Machine Screw (6-32 x 3/4") |
| 24. | 11-531504-000 | Retaining Ring | 64. | 11-195006-001 | Lockwasher (#6) |
| 25. | 11-616014-000 | Switch | 65. | 14-600002-000 | Case w/Bearings |
| 26. | N.A. | Blue Emblem | 66. | N.A. | Cover w/Bearings |
| 27. | N.A. | Carriage Bolt (10-24 x 3/4") | 67. | N.A. | Stator |
| 28. | N.A. | Name Plate | 68. | N.A. | Slt'd. Rd. Hd. Machine Screw (6-32 x 1/4") |
| 29. | N.A. | Push On Fastener | 69. | N.A. | Rotor Assembly |
| 30. | N.A. | Door Only (Astroline Gray) | 70. | N.A. | Bracket Assembly |
| | N.A. | Door Assembly - Complete (Astroline Gray) | 71. | 14-600005-000 | Solenoid |
| 31. | N.A. | Oilite Bearing | 72. | 14-600007-000 | Plunger |
| 32. | N.A. | Flat Washer | 73. | N.A. | Brake Hub Assembly |
| 33. | 11-176006-001 | Keps Nut (10-24) | 74. | N.A. | Brass Washer |
| 34. | N.A. | Door Only (Astro 2 White) | 75. | N.A. | Slt'd. Rd. Hd. Machine Screw (6-32 x 5/16") |
| | N.A. | Door Assembly - Complete (Astro 2 White) | 76. | N.A. | Spring |
| 35. | 14-600011-000 | N.A. Oilite Bearing | 77. | N.A. | Set Screw (8-32 x 3/16") |
| 36. | N.A. | Astro 2 Emblem | 78. | N.A. | Lever Arm |
| 37. | 11-107009-001 | N.A. Slt'd. Rd. Hd. Machine Screw (4-40 x 7/8") | 79. | 11-107034-001 | Slt'd. Rd. Hd. Machine Screw (6-32 x 1-3/4") |
| 38. | 11-190000-001 | Flat Washer (#4) | 80. | N.A. | #4 Gear Assy. (1-3/4" Dia.) |
| 39. | 14-400067-000 | N.A. Connector Shaft | 81. | 14-600012-000 | N.A. #2 Gear Assy. (1-3/8" Dia.) |
| | | | 82. | N.A. | Output Gear Assembly (2-3/4" Dia.) |
| | | | 83. | N.A. | Oilite Bearing |

N.A. = No Longer Available

Lustre King Ball Conditioner Door Mechanism, Track & Door Motor Assembly

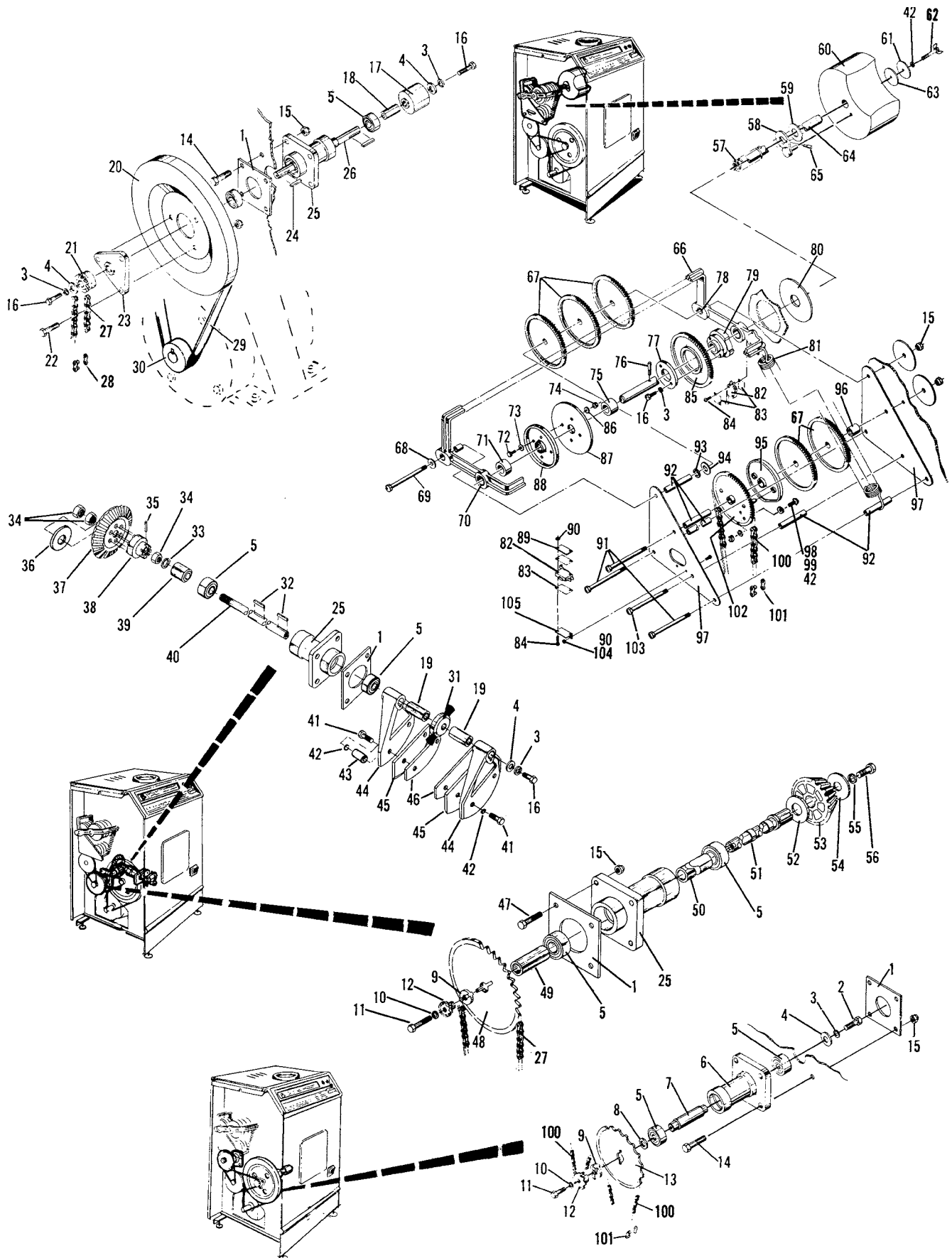


**Lustr King Ball Conditioner
Door Mechanism, Track & Door Motor Assembly**

| Index | | | Index | | |
|-------|---------------|--|-------|---------------|---|
| No. | Part No. | Description | No. | Part No. | Description |
| 1. | 14-400030-000 | N.A. Support Plate | 56. | 11-001343-001 | Hex Hd. Cap Screw (3/8-16 x 7/8") |
| 2. | 11-001180-001 | Hex Hd. Cap Screw (1/4-20 x 5/8") | 57. | 14-400200-000 | Spring |
| 3. | 11-195014-001 | Lockwasher (1/4) | 58. | 14-400220-000 | N.A. Compound Drive |
| 4. | 11-190530-001 | Flat Washer | 59. | N.A. | Rubber Washer |
| 5. | 11-430028-000 | Ball Bearing | 60. | 14-800003-000 | Buffing Compound - Pkg. of 2 (standard) |
| 6. | N.A. | Bearing Housing | | 14-800005-000 | N.A. Buffing Compound - Pkg. of 2 (highly reactive) |
| 7. | N.A. | Shaft | | 14-800007-000 | Lustre Sheen Compound - Pkg. of 2 |
| 8. | 11-190532-001 | N.A. Flat Washer | 61. | 11-190537-001 | Flat Washer |
| 9. | 14-400012-003 | Drive Spacer | 62. | 14-400288-000 | N.A. Thumb Screw Assembly |
| 10. | 11-196012-001 | Hi-Collar Lockwasher (1/4) | 63. | 14-400219-003 | Rubber Washer |
| 11. | 11-002005-001 | Hardened Hex Hd. Cap Screw (1/4-20 x 1-1/4") | 64. | N.A. | Shaft |
| 12. | 14-400016-000 | N.A. Pinion Sprocket | 65. | 11-354003-001 | Groove Pin |
| 13. | N.A. | Reducer Sprocket | 66. | N.A. | Compound Drive Housing |
| 14. | 11-001264-001 | Hex Hd. Cap Screw (5/16-18 x 1) | 67. | N.A. | Gear |
| 15. | 11-170009-001 | Self Locking Nut (5/16-18 x 1") | 68. | 11-190529-001 | Flat Washer |
| 16. | 11-001182-001 | Hex Hd. Cap Screw (1/4-20 x 3/4") | 69. | N.A. | Hex Hd. Cap Screw (5/16-18 x 5-3/4") |
| 17. | 14-400036-000 | Ball Roller Assembly | 70. | 11-420047-000 | Oilite Bearing |
| 18. | 10-386122-000 | N.A. Spacer (41/64 x 1-3/4) | 71. | N.A. | Spacer |
| 19. | N.A. | Spacer | 72. | 11-010060-001 | N.A. Slt'd. Hex Hd. Cap Screw (8-32 x 1/2") |
| 20. | 53-520063-000 | Pulley | 73. | 11-190004-001 | Flat Washer (#8) |
| 21. | 10-481001-000 | N.A. Sprocket | 74. | 11-170102-001 | Self Locking Nut (8-32) |
| 22. | 11-001262-001 | Hex Hd. Cap Screw (5/16-18 x 3/4") | 75. | N.A. | Spacer |
| 23. | N.A. | Hub | 76. | 11-340104-001 | N.A. Dowel Pin (1/4 x 5/8) |
| 24. | 12-100187-013 | Square Key (3/16 x 3/16 x 1-7/16") | 77. | N.A. | Clamp Ring |
| 25. | 14-400027-000 | N.A. Bearing Housing | 78. | N.A. | Oilite Bearing |
| 26. | 14-400013-000 | Shaft | 79. | N.A. | Gear Hub |
| 27. | 11-601003-000 | Roller Chain | 80. | 10-191552-000 | N.A. Flat Washer |
| 28. | 11-600005-000 | Connecting Link | 81. | 12-100107-000 | Spring |
| 29. | 10-635122-000 | Flat Belt | 82. | 11-616014-000 | Switch |
| 30. | 14-400040-000 | Motor Pulley | 83. | 11-617501-000 | Fabric Insulator |
| 31. | 14-400223-000 | Brush | 84. | 11-107008-001 | Slt'd. Rd. Hd. Machine Screw (4-40 x 3/4") |
| 32. | 12-100187-009 | Square Key (3/16 x 3/16 x 11/16") | 85. | N.A. | Gear |
| 33. | 11-195020-001 | Lockwasher (5/8) | 86. | 11-190538-001 | Flat Washer |
| 34. | 11-125213-001 | Hex Jam Nut (5/8-18) | 87. | 14-400449-000 | N.A. Guide Plate |
| 35. | 11-360415-001 | Spirol Pin (5/32 x 1-1/8) | 88. | N.A. | Cam Follower |
| 36. | 12-400323-000 | Special Washer | 89. | 14-400225-000 | N.A. Backing Plate |
| 37. | 12-400317-002 | Gear | 90. | 11-170000-001 | Self Locking Nut (4-40) |
| 38. | 12-400322-000 | Adjusting Nut | 91. | 11-001285-000 | Hex Hd. Cap Screw 5/16-18 x 5-1/4) |
| 39. | 12-400321-000 | Spacer | 92. | N.A. | Spacer |
| 40. | N.A. | Shaft | 93. | 11-534516-000 | N.A. Grip Ring |
| 41. | 11-001062-001 | Hex Hd. Cap Screw (10-24 x 3/4") | 94. | 11-190016-001 | Flat Washer (7/16) |
| 42. | 11-198003-001 | External Tooth Lockwasher (#10) | 95. | N.A. | Cam |
| 43. | 10-386115-000 | Spacer (7/32 x 3/8) | 96. | 10-386130-000 | N.A. Spacer (29/64 x 1-1/32) |
| 44. | 14-400021-000 | N.A. Oscillator Arm | 97. | N.A. | Adjusting Plate |
| 45. | 14-400022-000 | Rubber Bumper Only | 98. | 11-006088-001 | B.H. Socket Hd. Machine Screw (10-24 x 1/2") |
| 46. | 14-400029-000 | N.A. Backing Plate | 99. | 11-125004-001 | Hex Nut (10-24) |
| 47. | 11-001265-001 | Hex Hd. Cap Screw (5/16-18 x 1-1/8") | 100. | 11-601002-000 | Roller Chain |
| 48. | 14-400015-000 | N.A. Sprocket | 101. | 11-600010-000 | Connecting Link |
| 49. | N.A. | Spacer | 102. | N.A. | Sprocket |
| 50. | N.A. | Spacer | 103. | N.A. | Hex Hd. Cap Screw (5/16-18 x 4-3/4") |
| 51. | 14-400017-000 | Shaft | 104. | 11-107004-001 | Slt'd. Rd. Hd. Machine Screw (4-40 x 3") |
| 52. | 12-400139-005 | Special Washer | 105. | N.A. | Switch Mount |
| 53. | 12-400317-003 | Pinion | | | |
| 54. | 12-400318-000 | Special Washer | | | |
| 55. | 11-195016-001 | Lockwasher (3/8) | | | |

N.A. = No Longer Available

Lustre King Ball Conditioner Brake Roller & Idler Assembly, Oscillator & Compound Applicator Mechanism

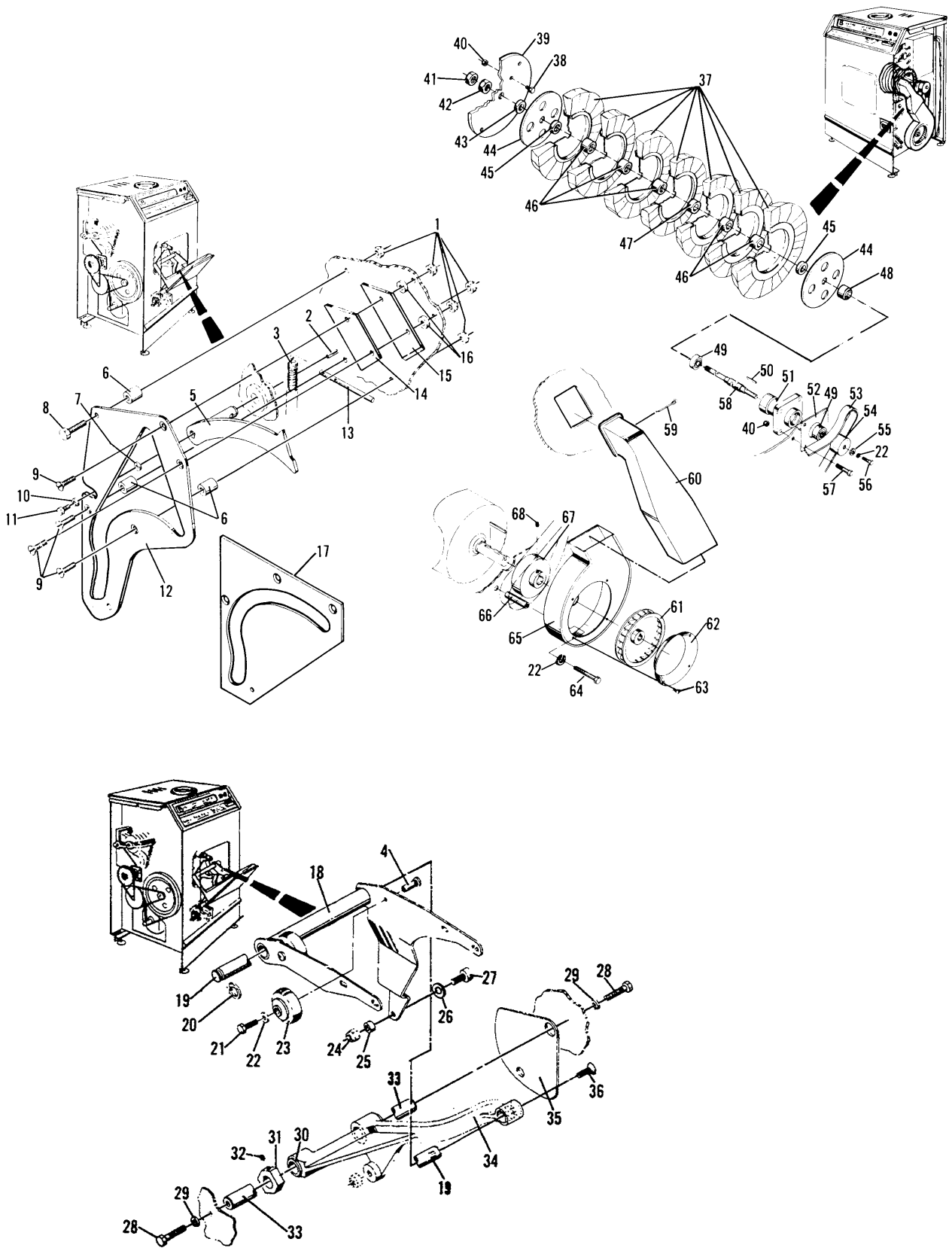


**Lustr King Ball Conditioner
 Brake Roller & Idler Assembly, Oscillator
 & Compound Applicator Mechanism**

| Index | | | Index | | |
|-------|---------------|--|-------|---------------|---|
| No. | Part No. | Description | No. | Part No. | Description |
| 1. | 11-170007-001 | Self Locking Nut (1/4-20) | 37. | 14-860021-000 | Buffing Wheel Assembly |
| 2. | N.A. | Roll Pin | | 14-860131-000 | N.A. Set of Spacers |
| 3. | N.A. | Spring | 38. | 11-001260-001 | Hex Hd. Cap Screw (5/16-18 x 5/8") |
| 4. | 14-400182-000 | N.A. Roller Stud | 39. | N.A. | Balance Disc |
| 5. | N.A. | Latch Cam and Pin Assembly | 40. | 11-170009-001 | Self Locking Nut (5/16-18) |
| 6. | N.A. | Spacer | 41. | 11-125262-001 | N.A. Hex Jam Nut - L.H. Thread (5/8-11) |
| 7. | 11-190006-001 | Flat Washer (#10) | 42. | 11-126113-001 | Hex Nut - L.H. Thread (5/8-11) |
| 8. | 11-001185-001 | Hex Hd. Cap Screw (1/4-20 x 1-1/8") | 43. | 14-400308-003 | N.A. Spacer |
| 9. | 11-007185-001 | Flat Socket Hd. Cap Screw (1/4-20 x 1-1/8") | 44. | 14-400276-000 | N.A. Plate |
| 10. | 11-195010-001 | Lockwasher (#10) | 45. | 14-400310-000 | N.A. Spacer |
| 11. | N.A. | Hex Hd. Cap Screw (10-24 x 9/16") | 46. | 14-400307-000 | N.A. Spacer |
| 12. | N.A. | Door Cam (to Serial #1461) | 47. | 14-400308-002 | N.A. Spacer |
| 13. | N.A. | Cam Handle | 48. | 14-400309-000 | N.A. Spacer |
| 14. | N.A. | Latch | 49. | 11-430028-000 | Ball Bearing |
| 15. | N.A. | Latch | 50. | 12-100187-014 | Square Key (3/16 x 3/16 x 7/8") |
| 16. | N.A. | Spacer | 51. | 14-400027-000 | N.A. Housing |
| 17. | 14-400312-000 | N.A. Door Cam (Serial #1461 and up) | 52. | 14-400030-000 | N.A. Support Plate |
| 18. | N.A. | Cradle Assembly | 53. | 10-635117-000 | Flat Belt |
| 19. | 14-400033-000 | Shaft | 54. | 14-400039-000 | N.A. Buffing Pulley |
| 20. | 11-530025-001 | Retaining Ring | 55. | 11-190530-001 | Flat Washer |
| 21. | 11-001180-001 | Hex Hd. Cap Screw (1/4 x 5/8") | 56. | 11-001182-001 | Hex Hd. Cap Screw (1/4-20 x 3/4") |
| 22. | 11-195014-001 | Lockwasher (1/4) | 57. | 11-001264-001 | Hex Hd. Cap Screw (5/16-18 x 1") |
| 23. | 34-205100-000 | Urethane Roller Assembly | 58. | 14-400025-000 | Shaft |
| 24. | 11-125012-001 | Hex Nut (3/8-24) | 59. | 11-335269-001 | N.A. Cotter Pin (1/8 x 3) |
| 25. | 10-386007-000 | N.A. Spacer (13/32 x 3/8) | 60. | 14-400202-000 | N.A. Air Duct |
| 26. | 11-199007-001 | N.A. Internal Tooth Lockwasher (3/8) | 61. | 10-725051-000 | N.A. Blower Wheel |
| 27. | 11-480007-000 | N.A. Cam Follower | 62. | N.A. | Inlet Ring |
| 28. | 11-001342-001 | Hex Hd. Cap Screw (3/8-16 x 3/4") | 63. | 11-082030-001 | N.A. Self Tapping C.R. Rd. Hd. Screw (#6 x 1/4") |
| 29. | 11-195016-001 | Lockwasher (3/8) | 64. | 11-001196-001 | Hex Hd. Cap Screw (1/4-20 x 3") |
| 30. | 11-421038-000 | Oilite Bearing | 65. | 10-725025-000 | N.A. Blower Housing |
| 31. | 12-400300-000 | Collar | 66. | 10-386140-000 | N.A. Spacer (9/32 x 2-7/16) |
| 32. | N.A. | Set Screw (5/16-18 x 1/4") | 67. | 14-400037-000 | Motor Pulley |
| 33. | N.A. | Shaft | 68. | 11-101578-001 | N.A. Set Screw w/Nylok (1/4-20 x 3/8") |
| 34. | N.A. | Crank Arm | | | |
| 35. | N.A. | Cover | | | |
| 36. | 11-007262-001 | N.A. Flat Socket Hd. Cap Screw (5/16-18 x 3/4") | | | |

N.A. = No Longer Available

**Lustre King Ball Conditioner
Cam Assembly, Cradle Assembly,
Buffing Wheel & Ventilation System**



**Lustré King Ball Conditioner
Cam Assembly, Cradle Assembly,
Buffing Wheel & Ventilation System**

| Index | | | Index | | |
|-------|---------------|---|-------|---------------|--|
| No. | Part No. | Description | No. | Part No. | Description |
| 1. | 11-001060-001 | Hex Hd. Cap Screw (10-24 x 5/8") | 26. | N.A. | Coin Tube Assembly |
| 2. | 11-195010-001 | Lockwasher (#10) | 27. | N.A. | Rod |
| 3. | 10-386143-000 | N.A. Spacer (25/64 x 1/4) | 28. | N.A. | Nylon Bearing |
| 4. | 11-190006-001 | Flat Washer (#10) | 29. | N.A. | Upper Rod Guide |
| 5. | N.A. | Plunger | 30. | 11-190010-001 | Flat Washer (1/4) |
| 6. | 14-400190-000 | Spring | 31. | 11-170007-001 | Self Locking Nut (1/4-20) |
| 7. | 14-400145-000 | N.A. Coin Insert | 32. | N.A. | Reset Lever |
| 8. | 14-400186-000 | N.A. Special Washer | 33. | 11-001184-001 | Hex Hd. Cap Screw (1/4-20 x 1") |
| 9. | 11-007021-001 | Flat Socket Hd. Cap Screw (6-32 x 3/8") | 34. | N.A. | Lower Rod Guide |
| 10. | N.A. | Insert Bracket | 35. | 11-537015-001 | N.A. Retaining Ring |
| 11. | 11-081010-001 | N.A. Self Tapping Hex Hd. Washer Screw (#8 x 3/8") | 36. | N.A. | Hex Hd. Cap Screw (8-32 x 7/16") |
| 12. | N.A. | Mounting Bracket | 37. | N.A. | Coin Chute and Box Assy. |
| 13. | N.A. | Slt'd. Rd. Hd. Machine Screw (6-32 x 1/4") | 38. | 11-010076-001 | Slt'd. Hex Hd. Cap Screw (10-24 x 3/8") |
| 14. | 11-198001-001 | External Tooth Lockwasher (#6) | 39. | N.A. | Coin Box Only |
| 15. | N.A. | Wire Assembly | *40. | 11-640001-000 | N.A. Lock Assembly w/Keys |
| 16. | 11-612006-000 | N.A. Terminal | 41. | N.A. | Mechanism Cover |
| 17. | N.A. | Terminal Block | 42. | N.A. | Slt'd. Rd. Hd. Machine Screw (6-32 x 1/2") |
| 18. | N.A. | Spacer | 43. | N.A. | Spring |
| 19. | N.A. | Slt'd. Rd. Hd. Machine Screw (6-32 x 1-1/2") | 44. | N.A. | Terminal |
| 20. | 11-195006-001 | Lockwasher (#6) | 45. | N.A. | Slt'd. Rd. Hd. Machine Screw (8-32 x 3/16") |
| 21. | 11-190002-001 | Flat Washer (#6) | **46. | N.A. | Rejector and Accumulator Assembly |
| 22. | 11-125001-001 | Hex Nut (6-32) | 47. | N.A. | Mounting Bracket |
| 23. | N.A. | Slt'd. Rd. Hd. Machine Screw (8-32 x 1/4") | 48. | 10-386147-000 | N.A. Spacer (7/32 x 2-1/2) |
| 24. | 11-198002-001 | External Tooth Lockwasher (#8) | 49. | 11-195008-001 | Lockwasher (#8) |
| 25. | N.A. | Slt'd. Rd. Hd. Machine Screw (10-24 x 2-1/2") | 50. | N.A. | Slt'd. Rd. Hd. Machine Screw (8-32 x 1/2") |

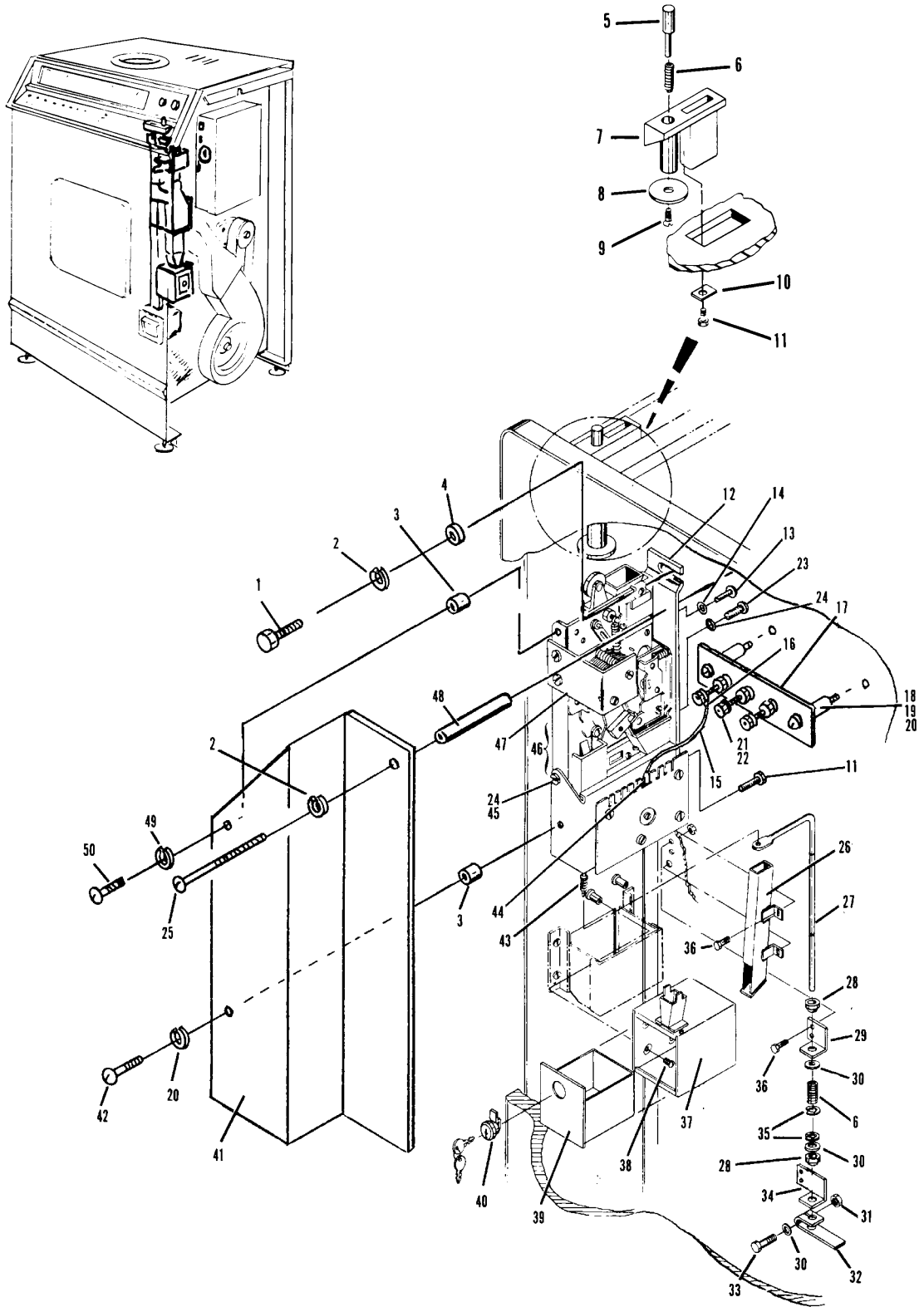
N.A. = No Longer Available

* To secure additional keys, order directly from: Chicago Lock Company, 4311 W. Belmont Avenue, Chicago, Illinois 60640. Specify Lock Model #3786-6T and individual key number.

** Service parts for the Coin Mechanism (Index No. 46) are not stocked by Brunswick. Please refer to the Service Manual (14-400003-000) for the name and address of a National Rejector Repair Station near you.

NOTE: Conversion to quarters only order part number 14-860137-000.

Lustre King Ball Conditioner Coin Mechanisms



**Lustre King Ball Conditioner
Coin Mechanisms**

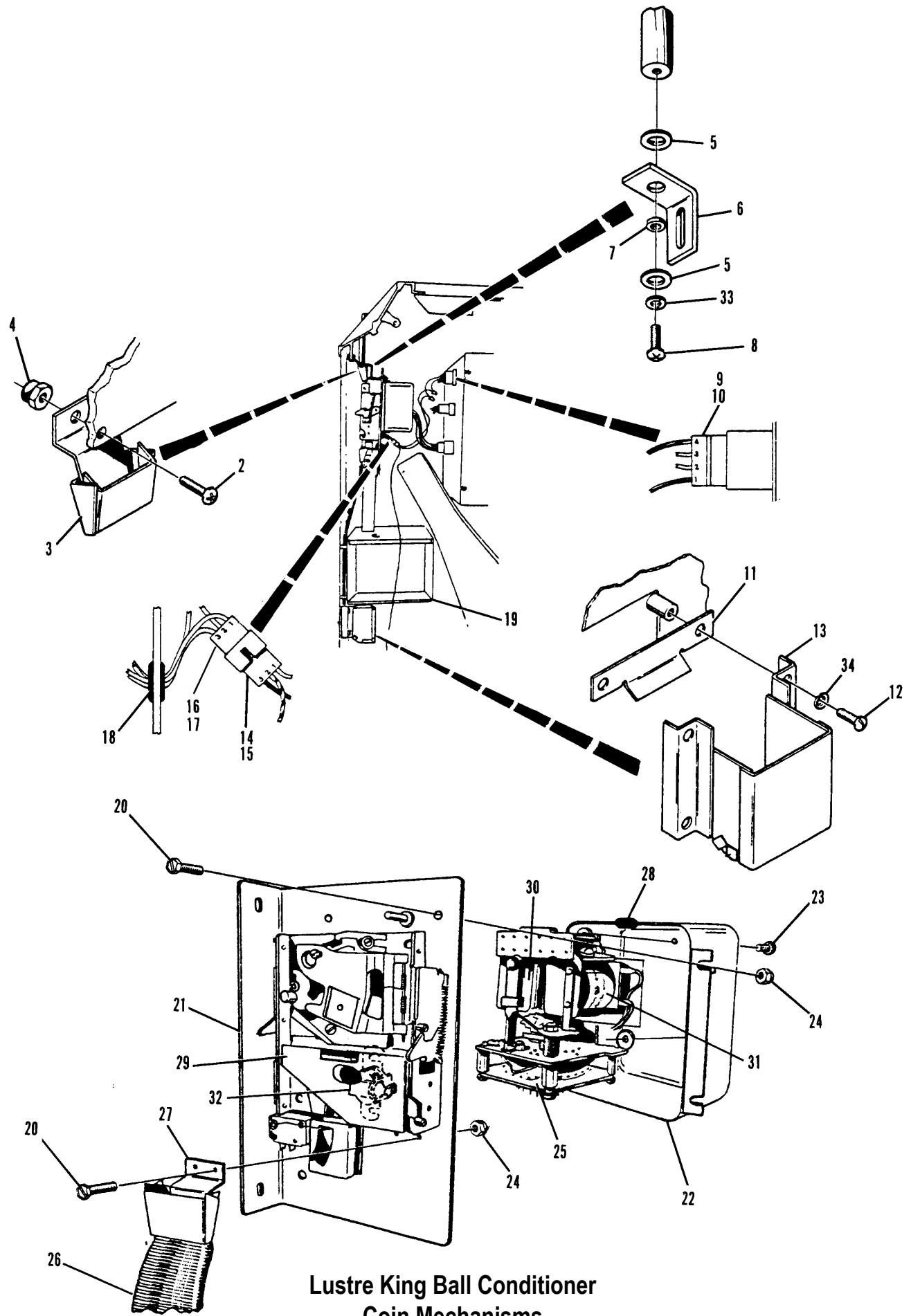
| Index | | | Index | | |
|-------|----------------|-----------------------------------|-------|-----------------|---------------------------------|
| No. | Part No. | Description | No. | Part No. | Description |
| 1. | *14-860137-002 | N.A. Single Coin (25¢) | 25. | 14-400466-000 | N.A. Stepper Switch Assy. (25¢) |
| | *N.A. | Conversion Kit - Complete | | N.A. | Stepper Switch Assy. (50¢) |
| | | Single Coin (Canada 25¢) | 26. | 14-400458-000 | N.A. Coin Channel |
| | | Conversion Kit - Complete | 27. | 14-400464-000 | N.A. Lower Coin Slide |
| 2. | N.A. | C.R. Pan Hd. Machine | 28. | N.A. | Grommet |
| | | Screw (#8-32 x 1/2") | 29. | **14-400484-002 | USA - 25¢ |
| 3. | 14-400461-000 | N.A. Upper Coin Slide Assembly | | 14-400484-003 | N.A. Canada - 25¢ |
| 4. | 11-170102-001 | Self Locking Nut (8-32) | | **N.A. | Japan - 100 Yen |
| 5. | 11-190528-001 | Flat Washer | | **N.A. | Germany - 1 Deutschmark |
| 6. | 14-400472-000 | N.A. Rejector Lever | | **N.A. | Yugoslavia - 1 Dinar |
| 7. | 10-386225-000 | N.A. Spacer (5/32 x 9/54) | | **N.A. | France - 1 Franc |
| 8. | 11-022276-001 | N.A. C.R. Pan Hd. Machine | | **N.A. | Switzerland - 1 Franc |
| | | Screw | | **N.A. | Italy - 100 Lira |
| | | w/Nylok (#6-32 x 5/8") | | **N.A. | Spain - 25 Peseta |
| 9. | 11-680002-000 | N.A. Connector Plug (4 Con- | | **N.A. | Belgium - 5 Franc |
| | | tacts) | | **N.A. | Sweden - 1 Krona |
| 10. | 11-612301-000 | N.A. Contact | | **N.A. | England - 10 Pence |
| 11. | 14-400479-000 | N.A. Coin Deflector | | **N.A. | Holland - 1 Guilder |
| 12. | N.A. | Slt. Rd. Hd. Machine | | **N.A. | Venezuela - 1 Bolivar |
| | | Screw (#10-32 x 1/2") | | **N.A. | Austria - 5 Shilling |
| 13. | N.A. | Coin Return Cup | | **N.A. | Australia - 20¢ |
| 14. | 11-680101-000 | Connector Plug (3 Con- | | **N.A. | Malasia - 20¢ |
| | | tacts) | | **N.A. | South Korea - 500 Won |
| 15. | 11-680302-000 | N.A. Terminal | | **N.A. | Saudi Arabia - 1 Riyal |
| | 57-860032-000 | R.O. Terminal - Male (Pkg. of 10) | | **N.A. | Hong Kong - 1/2 Dollar |
| 16. | 11-680201-000 | Receptacle (3 Contacts) | | **N.A. | Lebanon - 25 Piastre |
| 17. | 11-680301-000 | N.A. Terminal | | **N.A. | Brazil - 1 Cruzeiro |
| | 57-860031-000 | R.O. Terminal - Female (Pkg. of | | **N.A. | Kuwait - 50 Fils |
| | | 20) | | **N.A. | Panama - 25 Centesimos |
| 18. | N.A. | Nylon Bushing | | **N.A. | British Honduras - 50 |
| 19. | 14-400482-000 | N.A. Coin Box and Chute Assy. | | **N.A. | Centavos |
| 20. | 11-010024-001 | N.A. Slt. Hex Hd. Machine | | **N.A. | Dubai - 1 Dirham |
| | | Screw (#6-32 x 1/2") | | **N.A. | Saudi Arabia - 100 Halala |
| 21. | N.A. | Mounting Bracket | | **N.A. | Singapore - 20¢ |
| 22. | N.A. | Accumulator Box | | **N.A. | Kuwait - 100 Fils |
| 23. | N.A. | Slt. Rd. Hd. Sems | 30. | 11-672703-000 | N.A. Stepper Coil |
| | | Machine Screw (#8-32 x | 31. | 11-672704-000 | Reset Coil |
| | | 5/16") | 32. | 14-400496-000 | Coin Rejector Coil |
| 24. | 11-170002-001 | Self Locking Nut (#6-32) | 33. | 11-195006-001 | Lockwasher (#6) |
| | | | 34. | 11-195010-001 | Lockwasher (#10) |

N.A. = No Longer Available

* Not Illustrated

** Service parts for the Coin Mechanisms (Index No. 29) are not stocked by Brunswick. They must be obtained from:
 Coin Mechanisms, Inc.,
 817 Industrial Drive
 Elmhurst, Illinois 60126.
 Telephone: (708) 924-7070.

Lustre King Ball Conditioner Coin Mechanisms



**Lustré King Ball Conditioner
Coin Mechanisms**

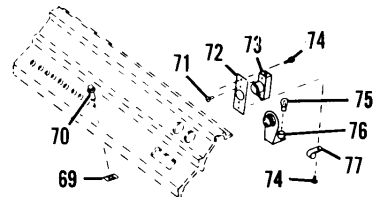
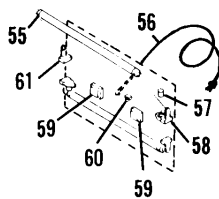
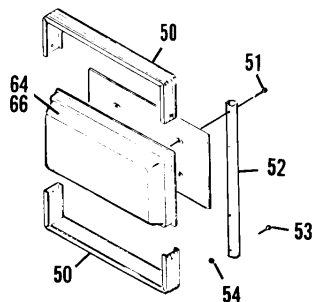
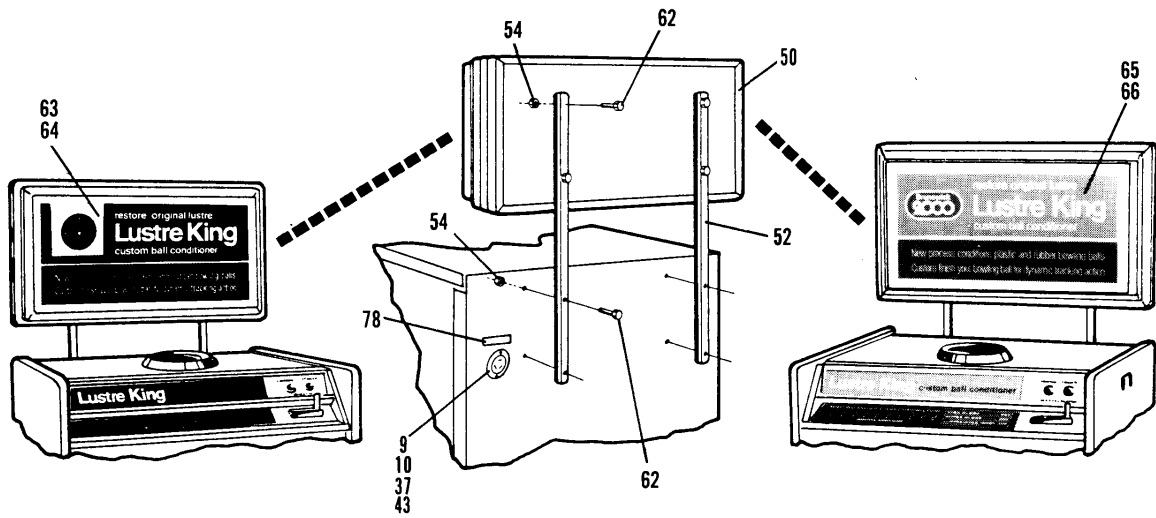
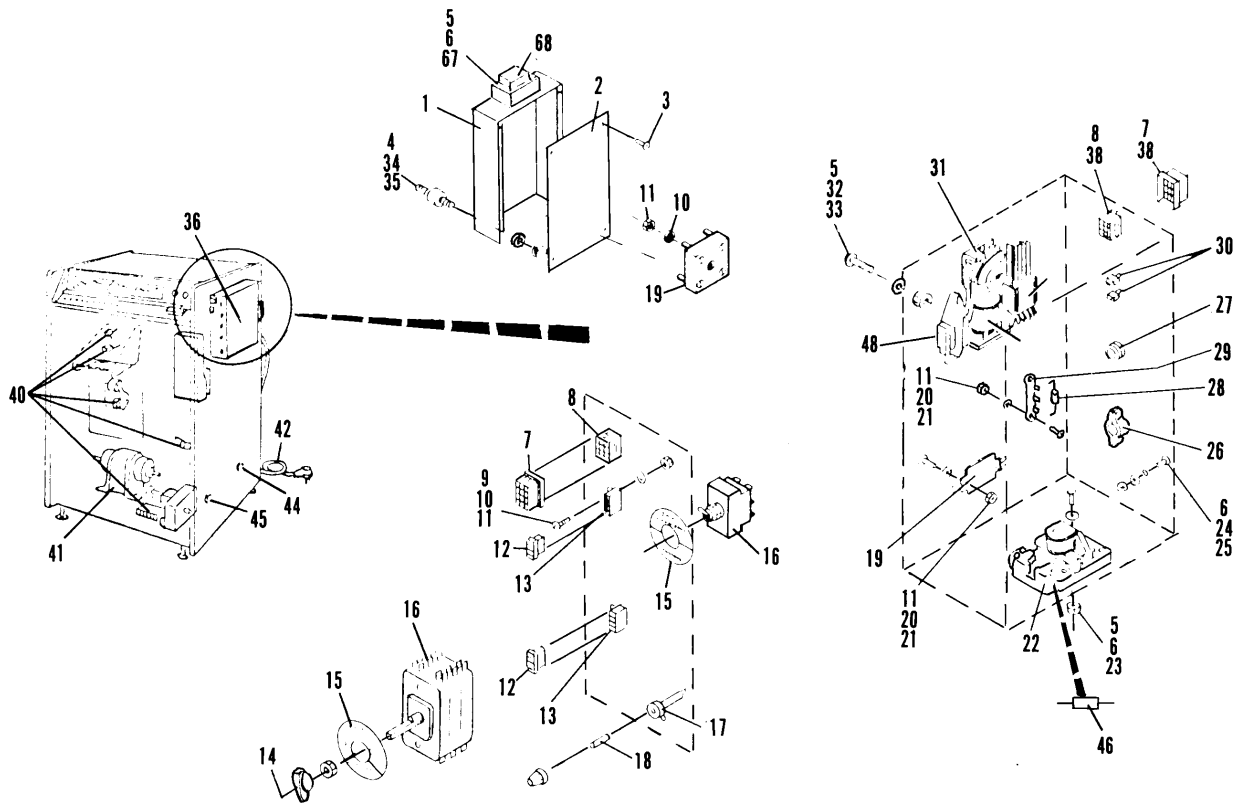
| Index No. | Part No. | Description | Index No. | Part No. | Description |
|-----------|----------------|---|-----------|----------------|---|
| 1. | N.A. | Electrical Box Only | 43. | N.A. | 3 Wire Outlet |
| 2. | N.A. | Box Cover | 44. | 11-651003-000 | Grommet |
| 3. | 11-013056-001 | N.A. Slt'd. Pan Hd. Machine Screw (8-32 x 1/4") | 45. | N.A. | Grommet |
| 4. | 10-675004-000 | N.A. Rubber Mount | 46. | 11-693013-000 | N.A. Diode (1N4005) |
| 5. | 11-195008-001 | Lockwasher (#8) | 47. | *11-696211-000 | Capacitor (Use with 10-705036) |
| 6. | 11-125003-001 | Hex Nut (8-32) | 48. | 10-679352-004 | N.A. Interrupter Contact Switch |
| 7. | 11-680503-000 | N.A. Connector (12 Contacts) | 49. | *10-679352-003 | N.A. OFF - Normal Contact Switch |
| 8. | 11-680003-000 | N.A. Connector Plug (12 Contacts) | 50. | N.A. | Aluminum Frame - 1/2 Section |
| 9. | N.A. | Slt'd. Rd. Hd. Machine Screw (6-32 x 1/2") | 51. | 11-001188-001 | Hex Hd. Cap Screw (1/4-20 x 1-1/2") |
| 10. | 11-195006-001 | Lockwasher (#6) | 52. | N.A. | Leg (Astroline Gray) |
| 11. | 11-124001-001 | N.A. Hex Nut (6-32) | | N.A. | Leg (Astro 2 White) |
| 12. | 11-680002-000 | N.A. Connector Plug (4 Contacts) | | N.A. | Leg ("2000" Ermine White) |
| 13. | N.A. | Connector (4 Contacts) | 53. | 11-001186-001 | Hex Hd. Cap Screw (1/4-20 x 1-1/4") |
| 14. | 11-616500-000 | N.A. Knob | 54. | 11-170007-001 | Self Locking Nut (1/4-20) |
| 15. | N.A. | Decal - "5 Minutes" | 55. | 11-675102-000 | N.A. Lamp - 20 Watt |
| | N.A. | Decal - "2 Minutes" | 56. | N.A. | Cord w/Plug |
| 16. | N.A. | Rotary Switch | 57. | N.A. | Lamp Starter - 20 Watt |
| | 11-615512-000 | Toggle Switch | 58. | N.A. | Lampholder w/Starter Socket |
| 17. | 11-685127-000 | Fuse Holder | 59. | 14-400295-004 | N.A. Ballast - 115V 60 Hz |
| 18. | 11-684005-000 | Fuse - 3 Amp Slow Blow | | 11-675677-000 | N.A. Ballast - 115V 50 Hz |
| 19. | 14-860184-000 | N.A. Rectifier Conversion Kit | 60. | 14-400295-008 | N.A. Switch |
| | N.A. | Bridge Rectifier - S6221-2 | 61. | N.A. | Lampholder w/o Starter Socket |
| 20. | 11-107004-001 | Slt'd. Rd. Hd. Machine Screw (4-40 x 3/8") | 62. | 11-001187-000 | N.A. Hex Hd. Cap Screw (1/4-20 x 1-3/8") |
| 21. | N.A. | Lockwasher | 63. | 14-861186-000 | N.A. LED Moving Sign Assembly - Complete |
| 22. | 14-860142-000 | Contact | 64. | 14-400267-000 | N.A. Warning Label Only |
| 23. | N.A. | Slt'd. Rd. Hd. Machine Screw (8-32 x 1/2") | 65. | N.A. | "2000" Sign Assembly - Complete |
| 24. | 11-107064-001 | Slt'd. Rd. Hd. Machine Screw (8-32 x 3/8") | 66. | 14-860162-000 | "2000" Beveliner Face Only |
| 25. | 11-198002-001 | External Tooth Lockwasher (#8) | 67. | N.A. | Slt'd. Rd. Hd. Machine Screw (8-32 x 2-1/8") |
| 26. | N.A. | Connector (1/2) | 68. | 14-400446-000 | N.A. Autoformer Assembly - for 230 Volt Units |
| 27. | 11-651006-000 | N.A. Grommet | 69. | 11-125551-000 | Speed Nut (1/2) |
| 28. | 11-691036-000 | N.A. Resistor (33K Ohm 1/2 Watt) | 70. | N.A. | Pilot Light |
| 29. | 11-619003-000 | Terminal Strip | 71. | 11-013020-001 | Slt'd. Pan Hd. Machine Screw (6-32 x 1/4") |
| 30. | 11-609302-000 | N.A. Terminal Bushing (115V) | 72. | N.A. | Switch Bracket |
| | 11-613510-000 | Terminal Tab (230V) | 73. | N.A. | Start Switch |
| 31. | N.A. | Stepper Switch Assembly (115V) | 74. | N.A. | Self Tapping Hex Hd. Washer Screw (#6 x 1/4") |
| | N.A. | Stepper Switch Assembly (230V) | 75. | 11-675505-000 | N.A. Lamp - 6S6 DC |
| 32. | N.A. | Slt'd. Rd. Hd. Machine Screw (8-32 x 5/8") | 76. | N.A. | Lamp Bracket |
| 33. | 10-386034-000 | N.A. Spacer (3/16 x 5/16) | 77. | N.A. | Wire Clamp |
| 34. | 11-195014-001 | Lockwasher (1/4) | | | |
| 35. | 11-125007-001 | Hex Nut (1/4-20) | | | |
| 36. | N.A. | Control Box - Complete (115V) | | | |
| | N.A. | Control Box - Complete (230V) | | | |
| 37. | 11-125001-001 | Hex Nut (6-32) | | | |
| 38. | 11-612301-000 | N.A. Contact | | | |
| 39. | *10-679352-002 | N.A. Stepper Switch Coil Only | | | |
| 40. | 11-616014-000 | Switch | | | |
| 41. | 14-860023-000 | N.A. Motor (115/230 Volt 50/60 Hz) - See Note | | | |
| 42. | N.A. | Lead Cord - for 115V Units | | | |
| | N.A. | Lead Cord - for 230V Units | | | |

N.A. = No Longer Available

* Not Illustrated

NOTE: Used on Astroline models Serial #260 thru 2963, 3100 and up, all Astro 2 models and all "2000" model Lustre Kings.

Lustre King Ball Conditioner Illuminated Sign & Control Box Assembly



Lustre King Ball Conditioner Illuminated Sign & Control Box Assembly