

*Parts Reference*

---

# Boost ST

Ten Pin

June 2024/ C123-2

***Brunswick***® 

CUSTOMER SERVICE

A tradition in excellence.

## **Boost ST Parts Reference Catalog**

© June 2024 by Brunswick Bowling Products. All rights reserved.

Reorder Part No. CI23-2

Notice: If available, updates to this catalog can be found on-line at [www.brunswickbowling.com](http://www.brunswickbowling.com).

Confidential proprietary information. All information contained in this document is subject to change without notice.

Brunswick Bowling Products  
525 West Laketon Avenue  
Muskegon, MI 49441  
U.S.A.

231.725.3300

# Contents

## Section A: Common Parts - Quick Reference

Setting Platform .....	A2
Drive Chain Assembly .....	A3
PMI / String Spool Assemblies .....	A4
Return Lever Assembly .....	A5
Pinsetter Motor / Switch Cluster Assemblies .....	A6
Gate Assembly .....	A7
Boost 360 Controller.....	A8
Ball Accelerator.....	A9

## Section B: Kickbacks, Mounting Frame, Pit Components, And Gate Assembly

Kick Backs .....	B2
Mounting Frame Assembly .....	B4
Pit Frames and Boards.....	B6
Pit Frames and Boards - Vacuum Formed .....	B8
Pit Curtain.....	B10
Ball Cushion .....	B12
Front Gate / Pinlight.....	B14

## Section C: Ball Accelerator / Ball Elevator

Ball Accelerator Assembly (Subway).....	C2
Accelerator Box Assembly (Subway).....	C4
Ball Door/Lock Assembly, Left Hand (Subway) .....	C6
Ball Door/Lock Assembly, Right Hand (Subway).....	C8
Ball Accelerator- Belt Drive (SUBWAY) .....	C10
Ball Accelerator Guide .....	C12

## Section D: Pinsetter Main Frame

Frame - Drive Assembly .....	D2
Chain Drive Assembly .....	D4
String Wagon Assembly .....	D6
String Lever Assembly.....	D8
Pin Motion Interface (PMI).....	D10
Pin Tangle Mechanism .....	D12

## Section E: Pin Setting Platform

Boost Setting Platform Assembly - Ten Pin .....	E2
---	----

**Section F: Electronics**

Switch Cluster..... F2  
Ball Detect ..... F4  
Boost 360 Controller..... F6

**Section G: Cabling**

Boost 360 Controller Cabling ..... G2  
1st and 2nd Ball LED lights Cable Assembly 55-143015-000 ..... G4  
Pinlight DC Power Cable Assembly 55-143069-000 ..... G6  
AMF Bumper Cable Assembly 55-143148-000 ..... G8  
Boost PMI Cable Assembly 55-143157-000..... G10  
Switch Cluster Cable Assembly 55-143158-000 ..... G12  
Boost Pinsetter Switch Cluster Extension Cable Assembly 55-143158-200 ..... G14  
Brunswick Foul/Ball Lift/ Ball Detect Cable Assembly 55-143161-000..... G16  
Pinsetter Motor Cable Assembly 55-143164-000 ..... G18  
Boost Pinsetter Mechanic's Stop Switch Cable Assembly 55-143165-000..... G20  
AMF Foul/Ball Lift/ Ball Detect Cable Assembly 55-143172-000..... G22  
Ball Accelerator Motor Cable Assembly 55-143173-000 ..... G24  
Ball Door Control Cable - Boost ST, Single/Lane Pair Cable Assembly 55-143181-000 ..... G26  
Ball Door Control Cable - Boost ST, Separated Lane Pair Cable Assembly 55-143182-000 ..... G28  
IntelliFoul / IntelliShield Cable Assembly 53-520516-000..... G30  
Boost 360 Controller to PBW Bumper Cable Assembly 57-501384-000..... G32  
Peripheral Controller to 360 Controller Cable Assembly 57-501385-XXX..... G34  
Nitro 2-Color Pin Light Cable Assembly 57-501549-000 ..... G36  
Nitro Multi-Color Pin Light Cable 57-501654-000..... G38

**Section H: Guards and Safety**

Rear Guards - UL ..... H2  
Rear Guards - CE..... H4  
Rear Guard - Horizontal Bracket ..... H6  
Rear Guards - Lower Guard and Brackets..... H8  
End Lane Division Guard - Left Side ..... H10  
End Lane Gate Guard - Left Side ..... H12  
End Lane Division Guard - Right Side..... H14  
End Lane Gate Guard - Right Side..... H16  
Inside Division Guard ..... H18  
Ball Return Side Guard..... H20



## **Select Only Genuine Brunswick Replacement Parts for Brunswick Equipment**

You purchased the best when you bought Brunswick equipment. Insist on the best in replacement parts. Buy Genuine Brunswick Replacement Parts to keep your equipment in top-notch working condition.

### **Here's why you should insist on Brunswick Replacement Parts for your Brunswick equipment:**

- Only Brunswick replacement parts are guaranteed to be the same, top quality, heavy-duty parts that go into the world's finest equipment by Brunswick.
- Rigid quality control assures maximum protection against part defect or failure.
- Full-time testing of all equipment and continual updating of parts provides the latest improvements.
- Each improved part is designed to be interchangeable with the part it is replacing.
- Efficient cost methods of production and design, reduce the cost of parts.

To place an order contact your certified Brunswick parts distributor or Brunswick at 1-800-YES-BOWL or 231-725-3300. Authorized Brunswick part distributors listings can be found on-line at [www.brunswickbowling.com](http://www.brunswickbowling.com)

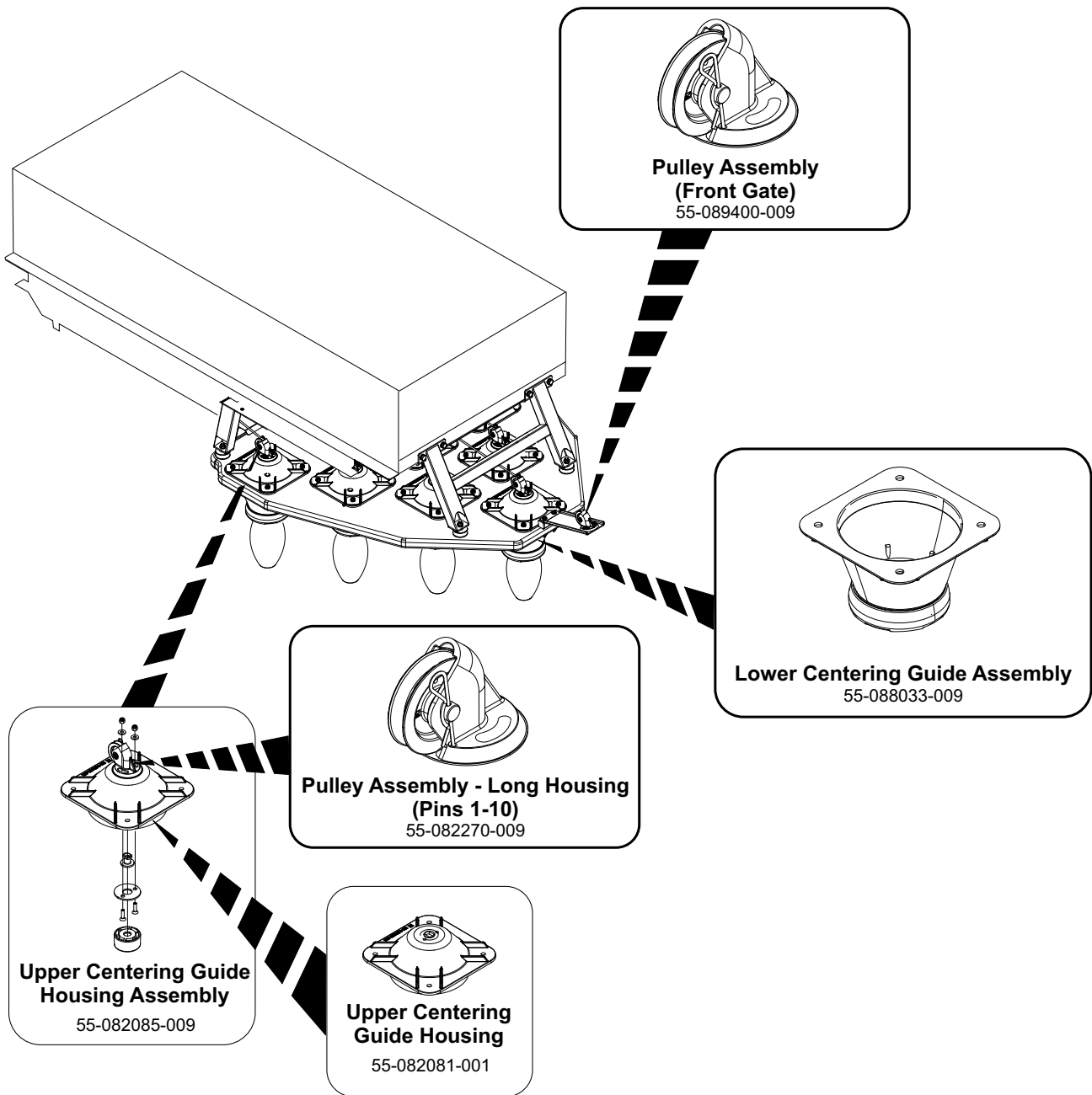
Intentionally Blank Page

**Section A**

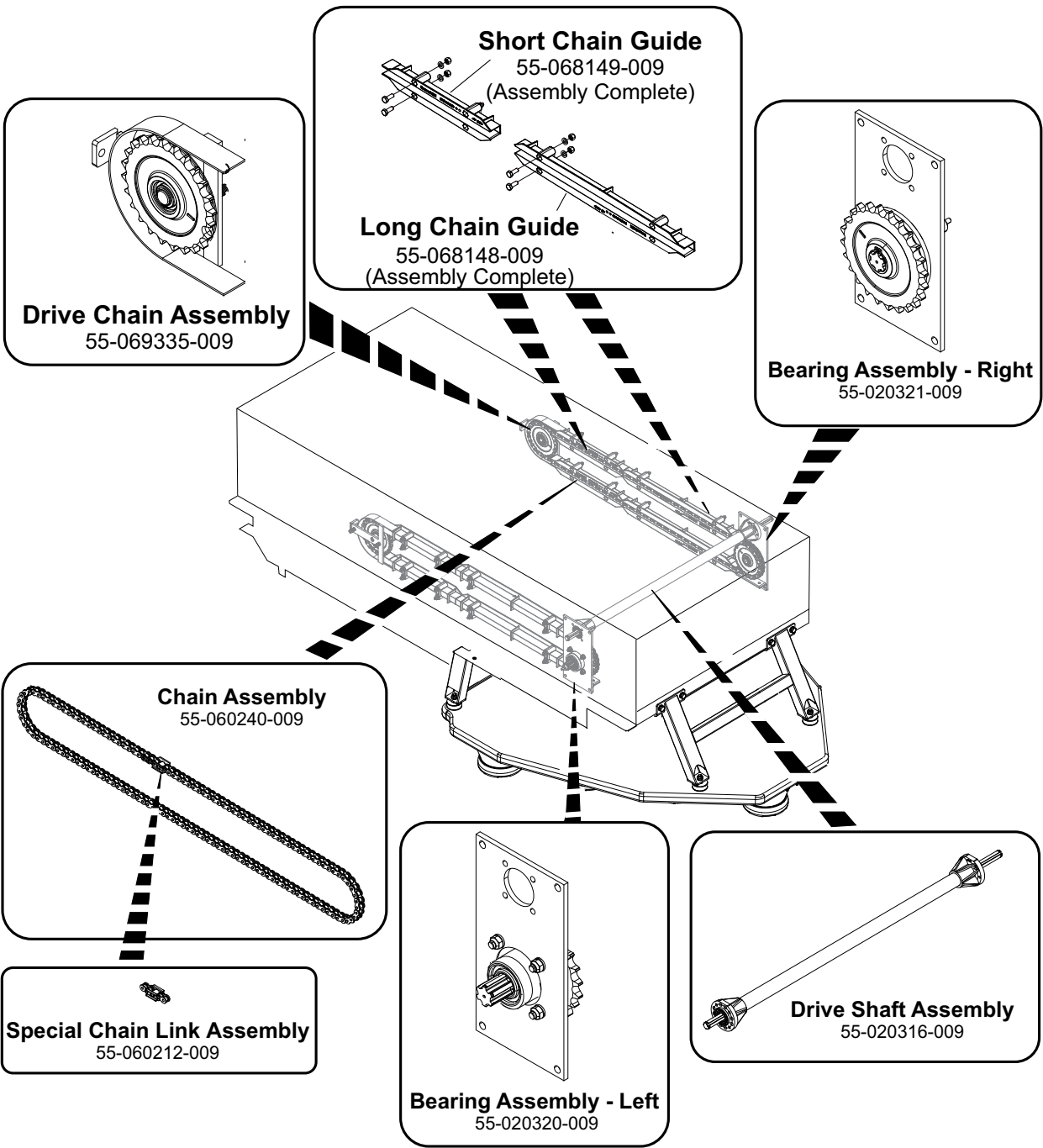
**Common Parts - Quick Reference**

**SECTION REVISION DATE**

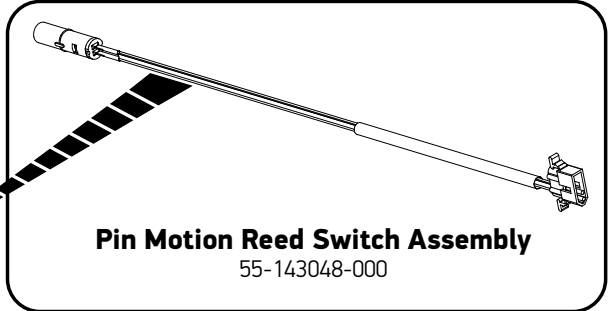
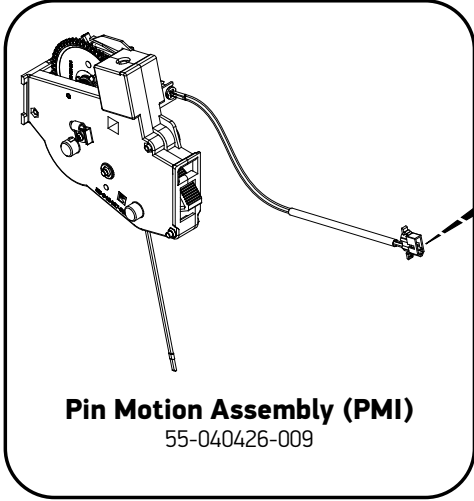
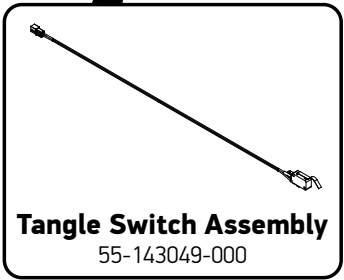
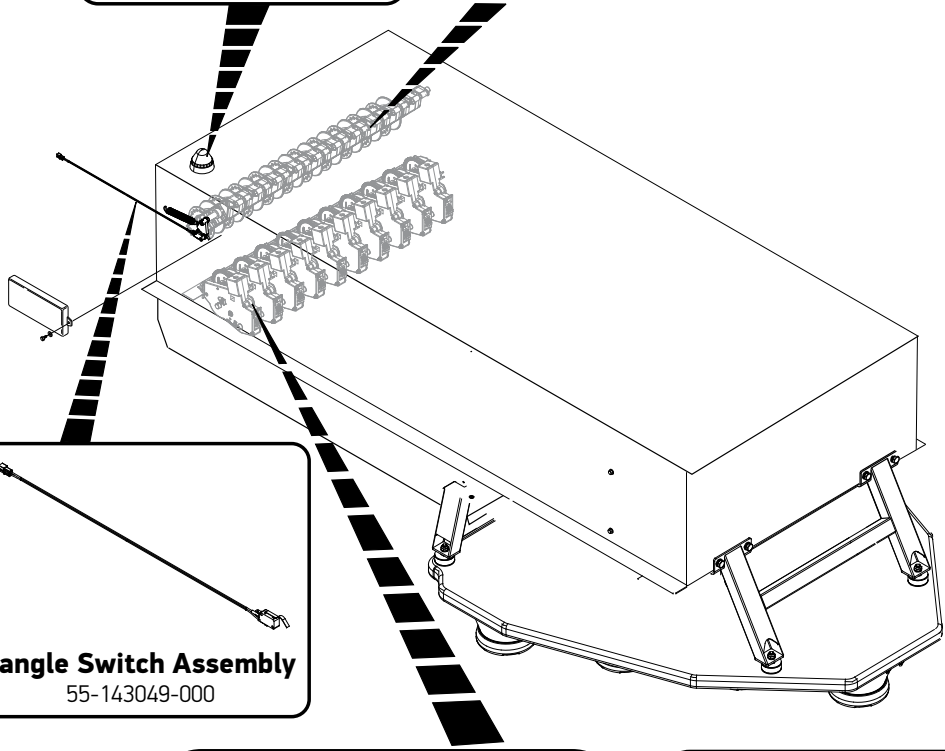
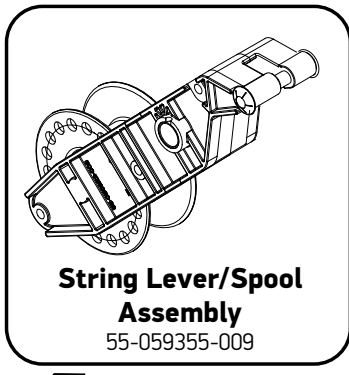
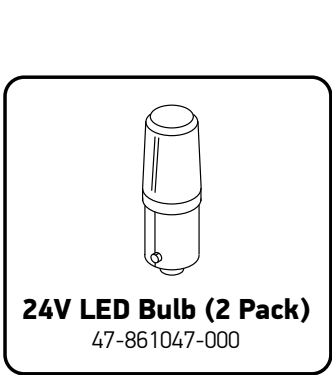
*June 2024*



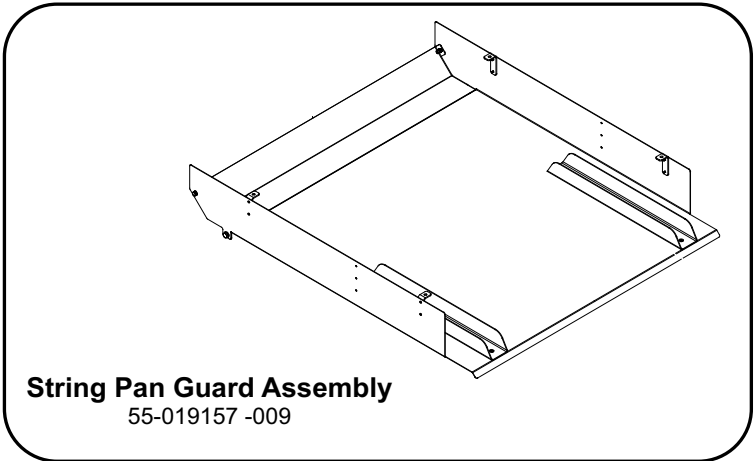
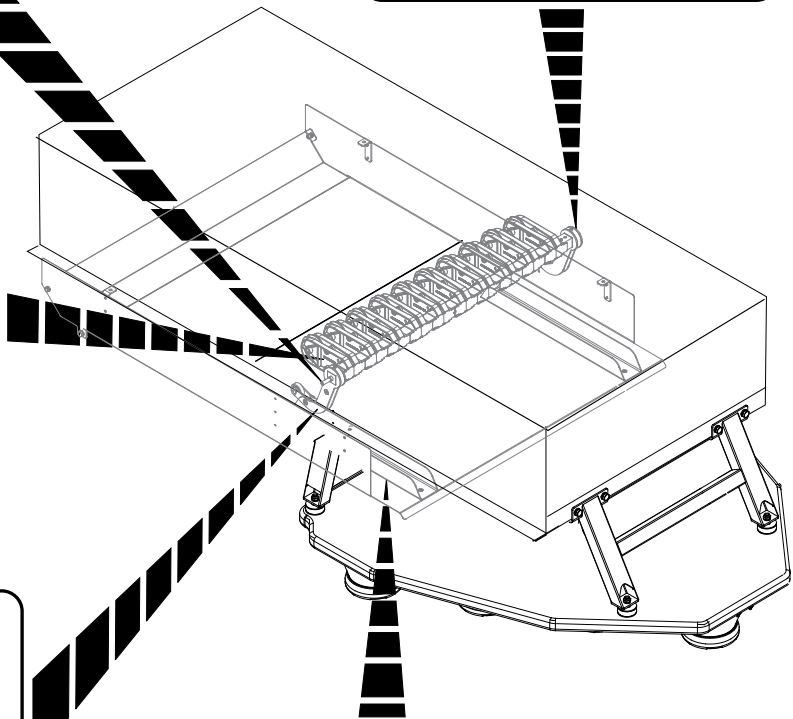
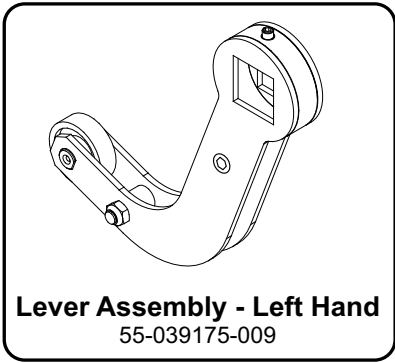
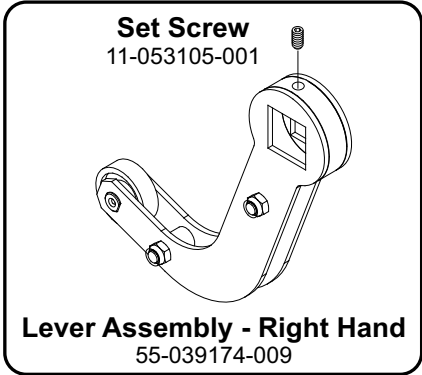
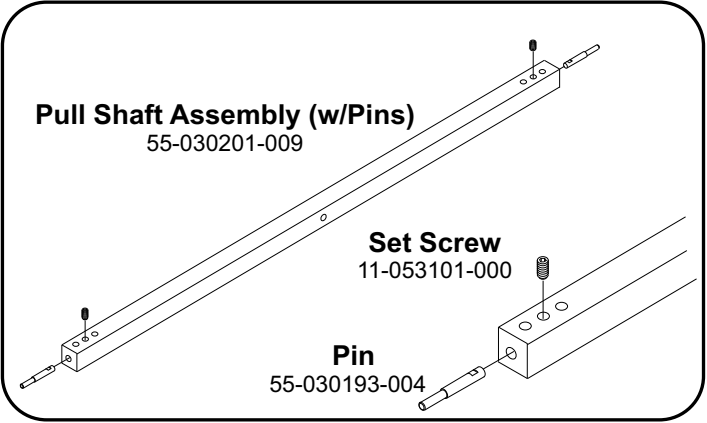
**Setting Platform**



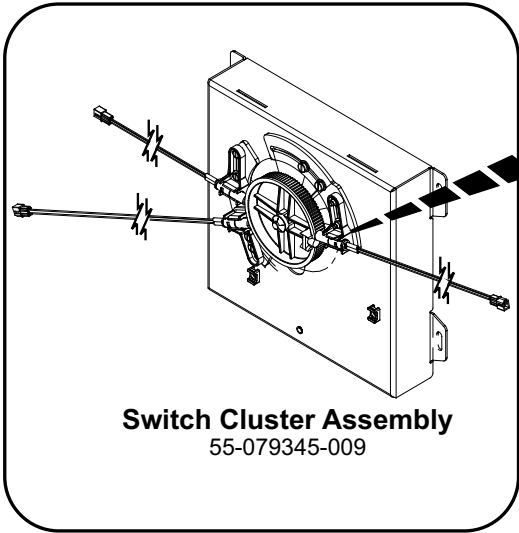
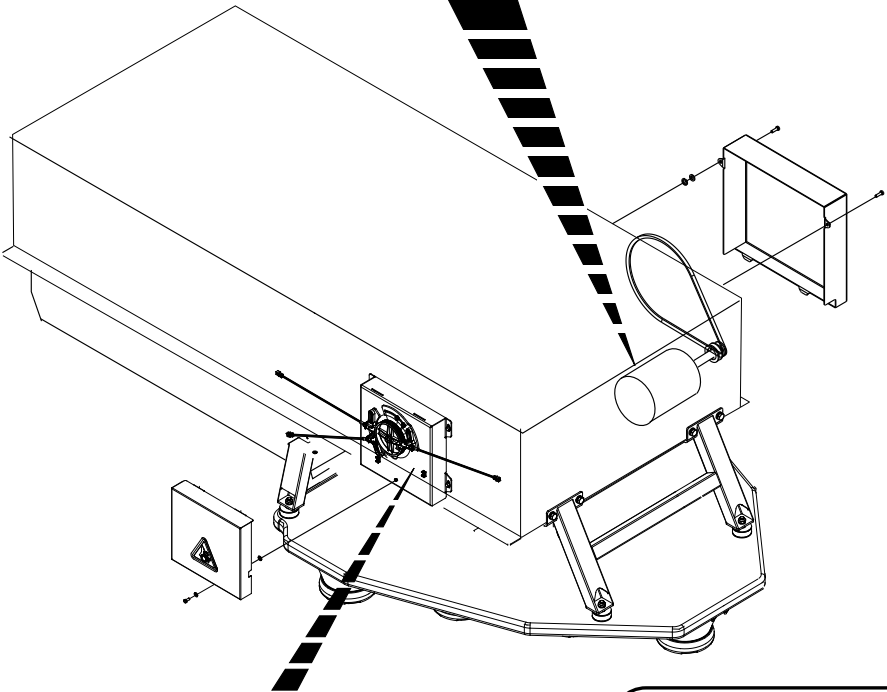
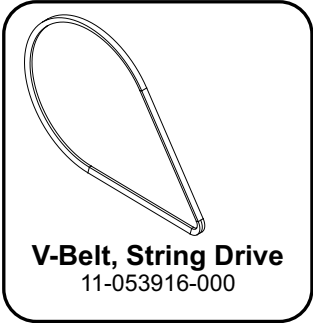
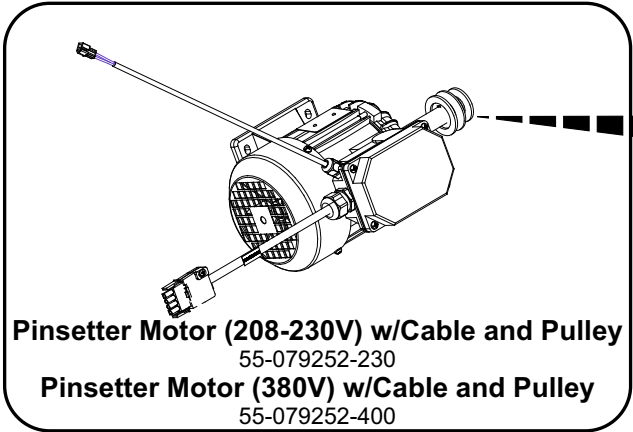
**Drive Chain Assembly**



**PMI / String Spool Assemblies**

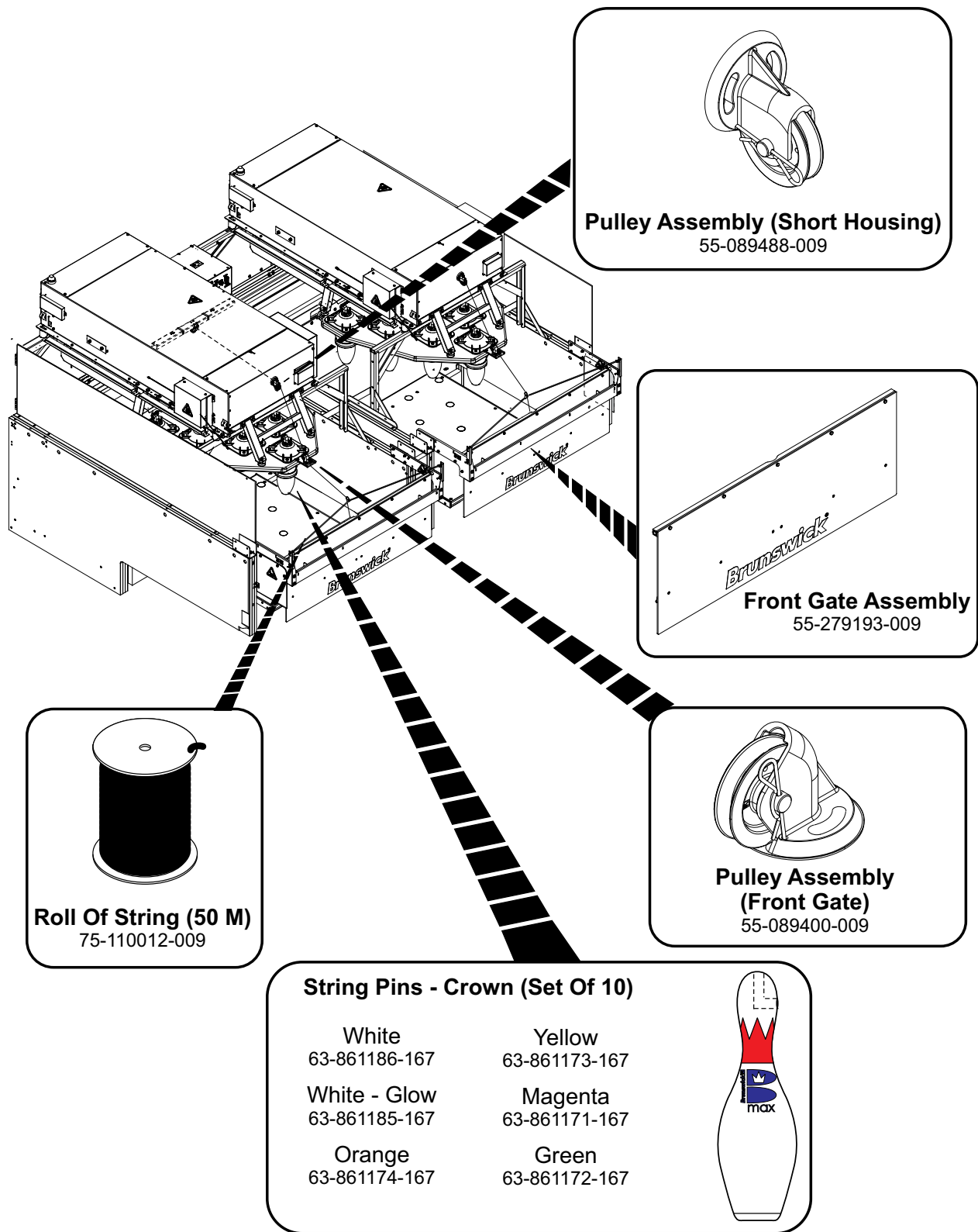


**Return Lever Assembly**

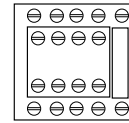


**Pinsetter Motor / Switch Cluster Assemblies**





## Gate Assembly



**WEG Contactor Kit**

\* 55-860070-000

\* Order 55-860070-000, WEG Contactor Kit, when replacing the contactor.

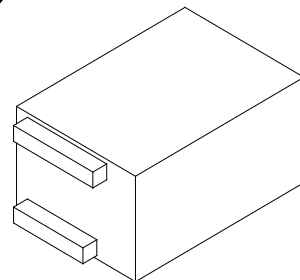
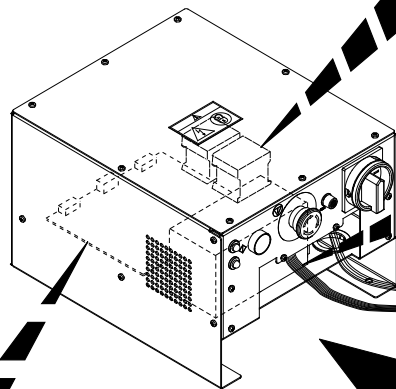
Lovato Contactor Kit (55-860070-100) is available as a contingent substitute for the WEG Contactor Kit.

**360 Controller - UL 208V/230V**

55-860075-230

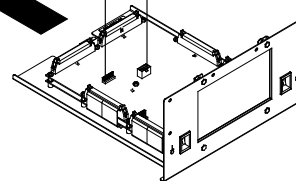
**360 Controller - CE 380V/400V**

55-860075-400



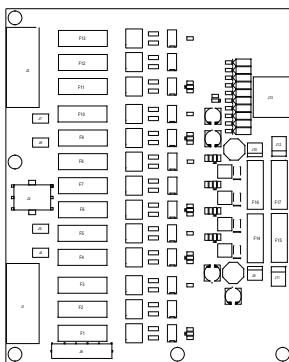
**Power Supply - 24V**

55-860060-000



**360 Controller - Slide Out**

55-860076-400 (New)

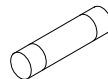


**High Voltage PCB (230v)**

55-860059-230

**High Voltage PCB (380v)**

55-860059-380



**Fuses**

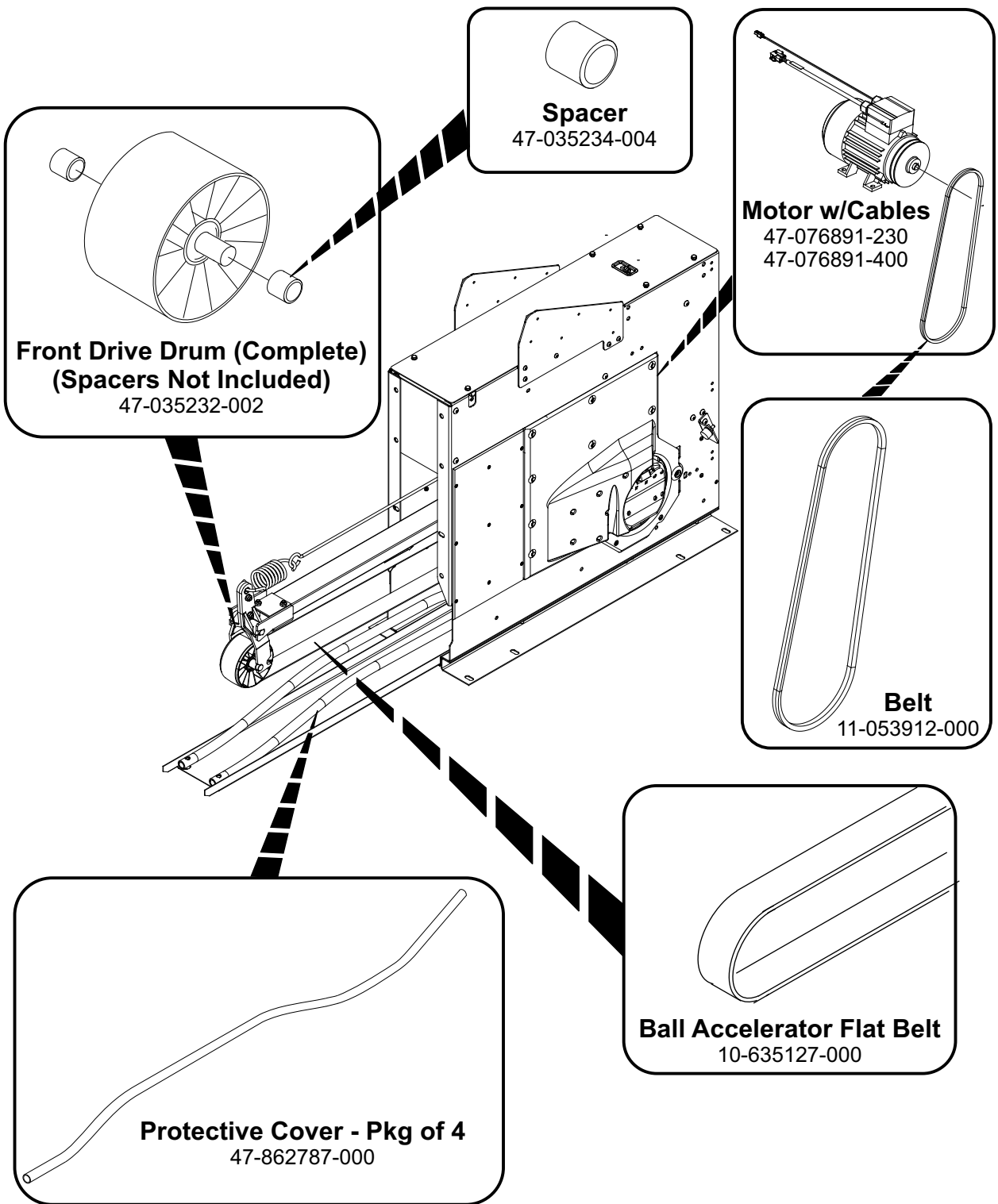
0.5A 250V Slow Blow - Pkg of 1  
11-685056-000

2.0A 250V Slow Blow - Pkg of 4  
57-861635-000

3.0A 250V Slow Blow - Pkg of 4  
57-861874-000

3.15A 250V Fast Blo - Pkg of 5  
47-862854-000

**Boost 360 Controller**



**Ball Accelerator**

Intentionally Blank Page

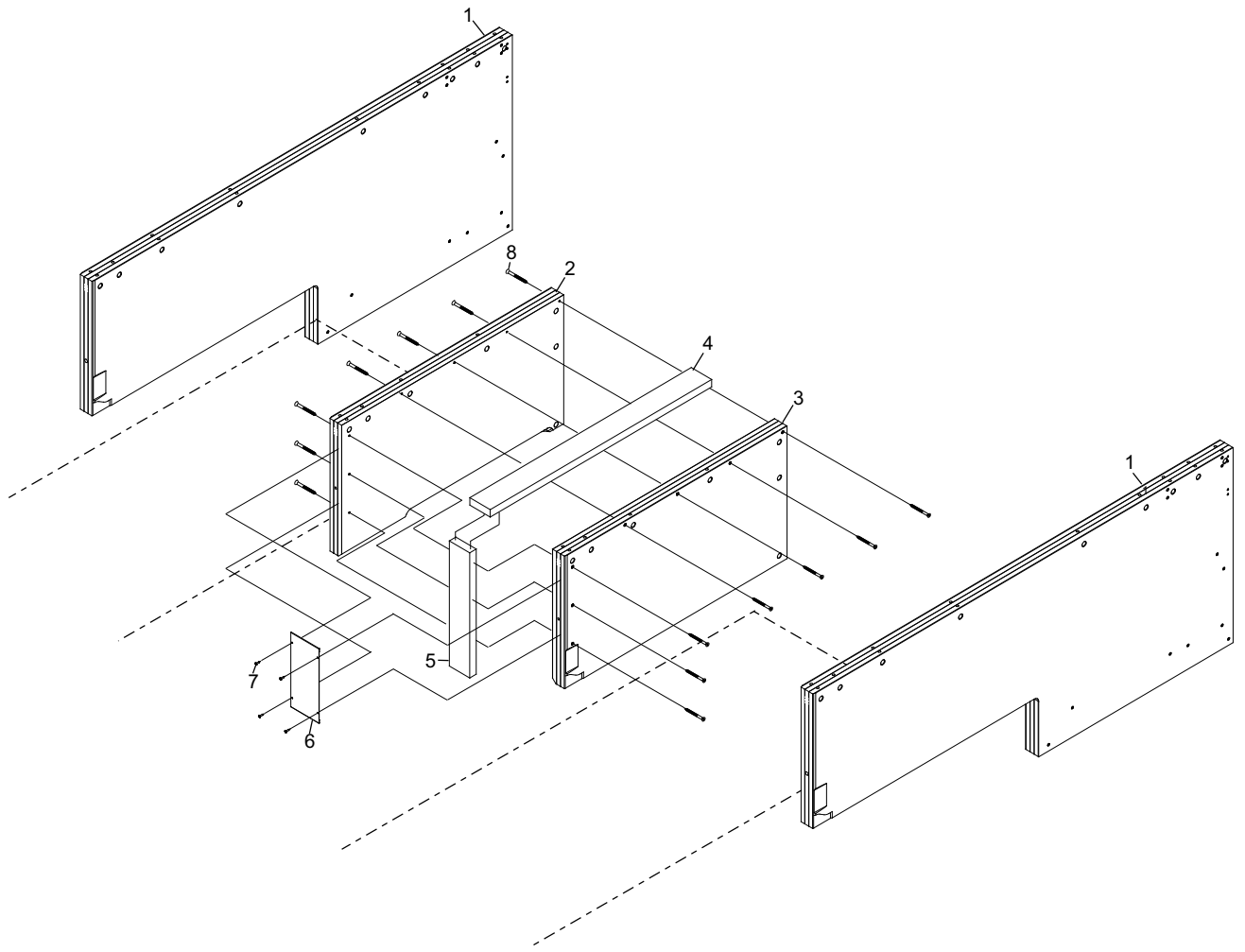
**Section B**

**Kickbacks, Mounting Frame,  
Pit Components, And Gate Assembly**

**SECTION REVISION DATE**  
*APRIL 2024*

<b>Index No.</b>	<b>Part No.</b>	<b>Package / Order Reference</b>	<b>Description</b>
1.	84-200932-000		Common Kickback, Inside/Outside Division
2.	84-200947-000		Ball Return Kickback - Left
3.	84-200946-000		Ball Return Kickback - Right
4.	84-200948-002		Kickback Filler - Top
5.	84-200948-001		Kickback Filler - Front
6.	55-279510-000		Cover Plate
7.	11-051210-021		Round Head w/Washer (#10 x 1")
8.	11-081203-001		Robertson Screw (#14 x 4")

## Kick Backs

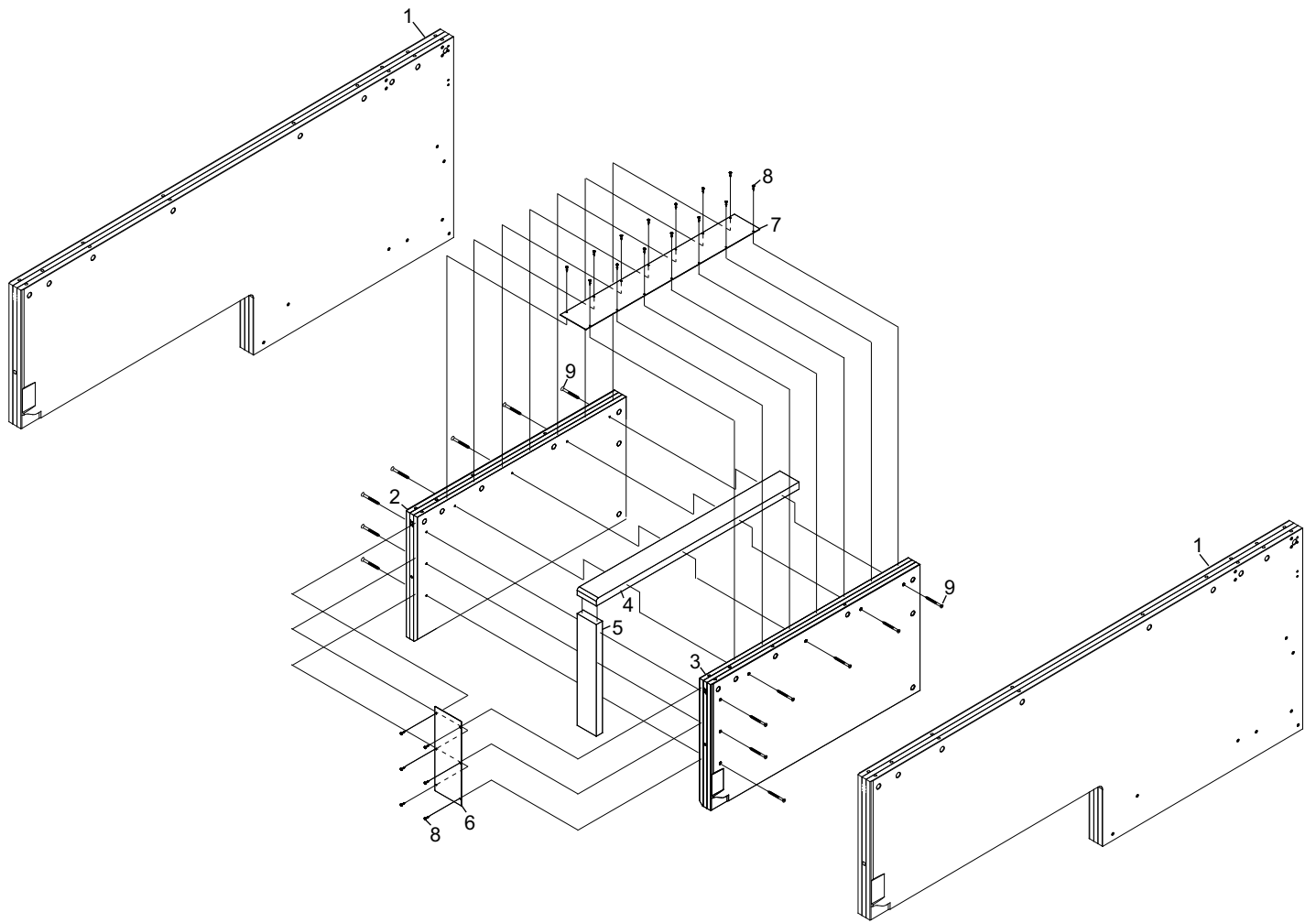


## Kick Backs

<b>Index No.</b>	<b>Part No.</b>	<b>Package / Order Reference</b>	<b>Description</b>
1.	84-200932-000		Common Kickback, Inside/Outside Division
2.	84-200954-000		Ball Return Kickback - Left
3.	84-200953-000		Ball Return Kickback - Right
4.	84-200955-002		Kickback Filler - Top
5.	84-200955-001		Kickback Filler - Front
6.	55-279935-001		Cover Plate - Front
7.	55-279935-002		Cover Plate - Top
8.	11-051210-021		Round Head w/Washer (#10 x 1")
9.	11-081203-001		Robertson Screw (#14 x 4")

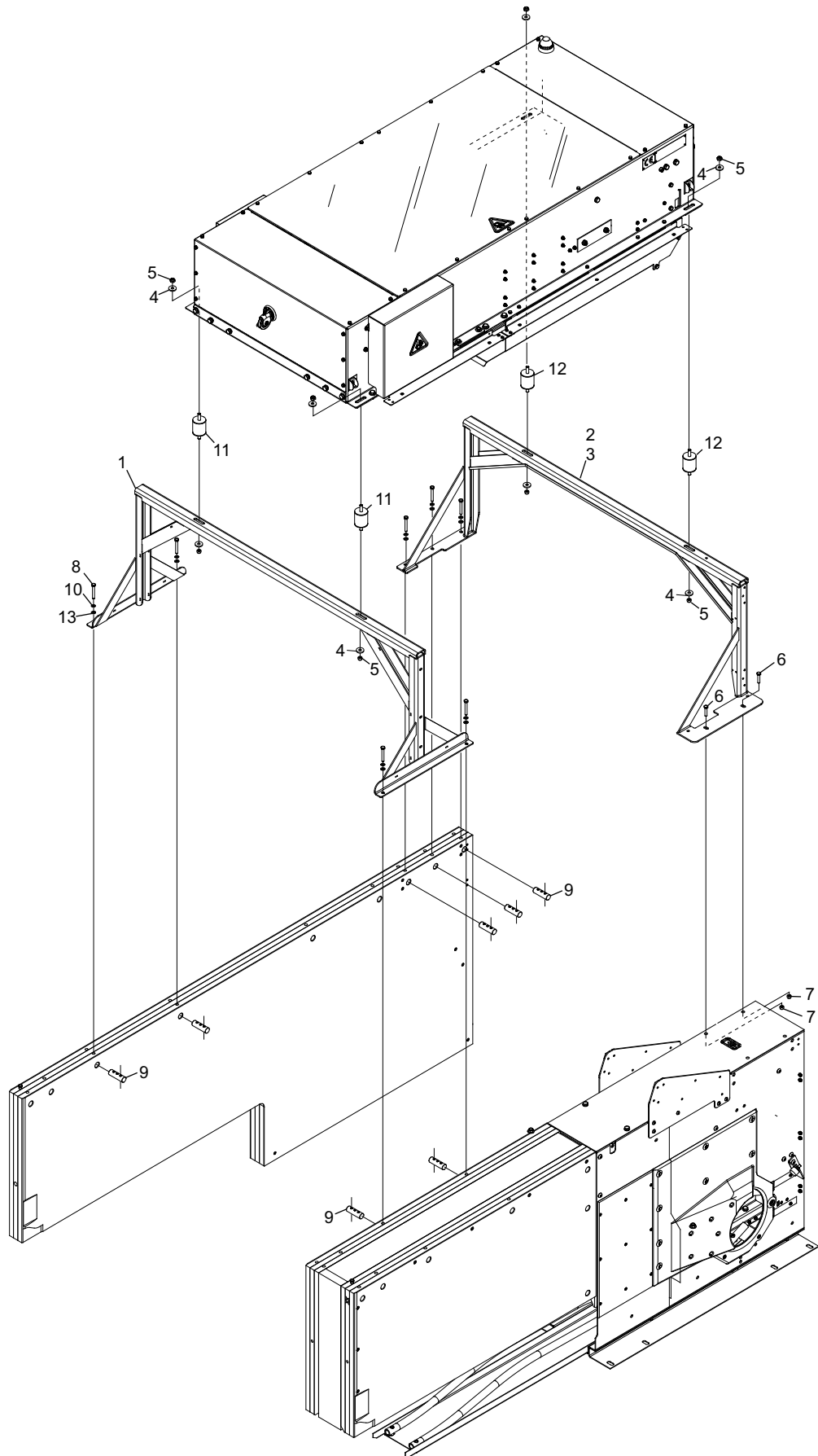
## New Kick Backs





## New Kick Backs

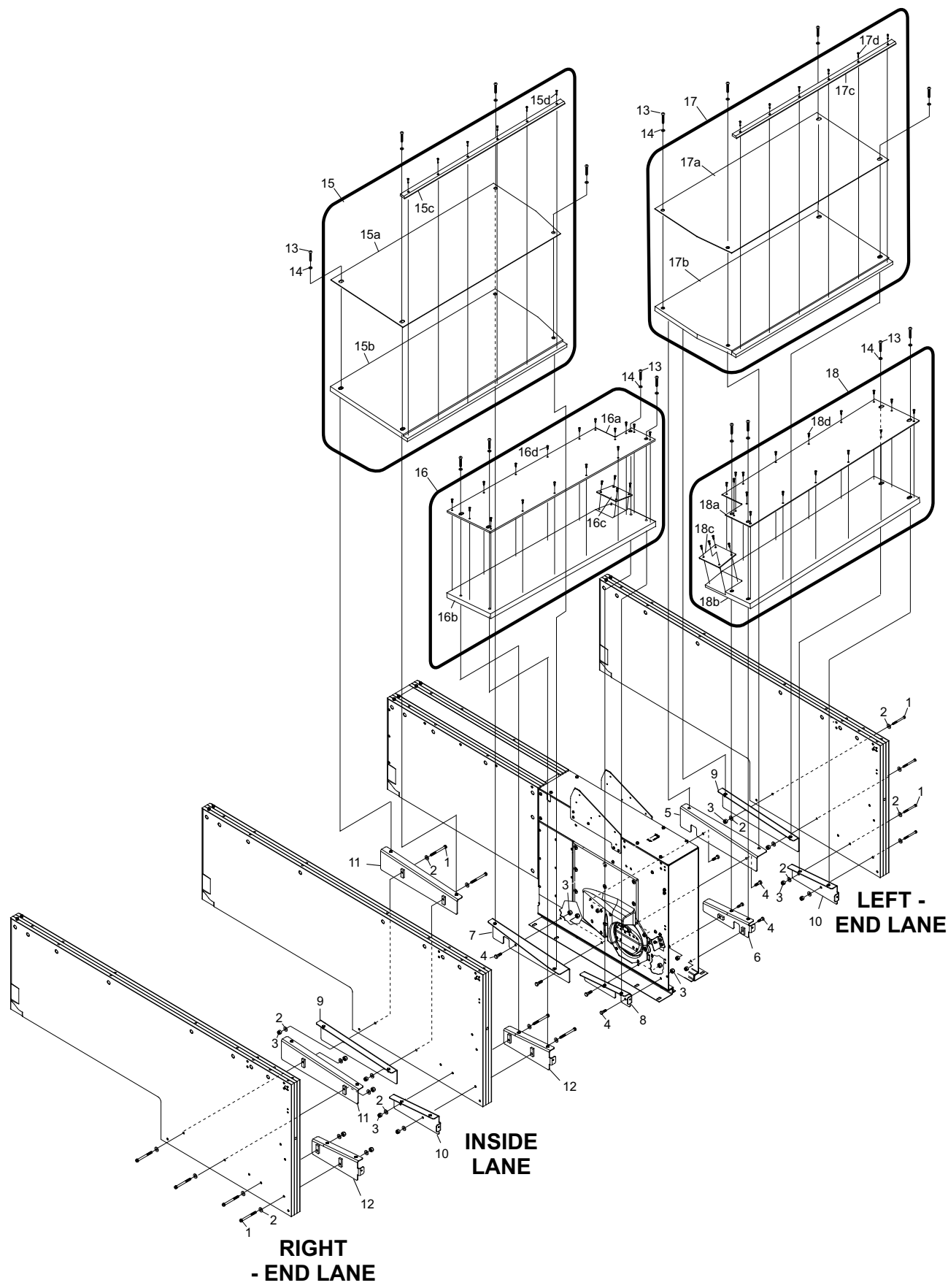
<b>Index No.</b>	<b>Part No.</b>	<b>Package / Order Reference</b>	<b>Description</b>
1.	55-279309-000		Front - Machine Frame
2.	55-279310-002		L.H. Rear Frame w/Door Magnets (UL)
	55-279310-001		L.H. Rear Frame w/Door Camlocks (CE)
3.	55-279311-002		R.H. Rear Frame w/Door Magnets (UL) - Not Shown
	55-279311-001		R.H. Rear Frame w/Door Camlocks (CE) - Not Shown
4.	11-052028-001		Flat Washer
5.	11-051745-001		Locknut
6.	11-051045-001		Hex Head Cap Screw (M10 x 30 mm)
7.	11-051744-001		Locknut
8.	11-051015-000		Hex Head Cap Screw
9.	84-200073-000		Barrel Nut
10.	11-051770-000		Lock Washer
11.	55-278022-000		Rubber Bumper
12.	55-279170-000		Rubber Bumper
13.	11-052003-000		Flat Washer



**Mounting Frame Assembly**

Index No.	Part No.	Package / Order Reference	Description
1.	11-051569-000		Socket Head Screw (M10 x 120 mm)
2.	11-052028-001		Flat Washer (10 mm)
3.	11-051970-001		Locknut (10 mm)
4.	11-051045-001		Hex Head Cap Screw (10 mm x 30 mm)
5.	55-279458-000		Side Frame L.H. Front - Ball Accelerator
6.	55-279457-000		Side Frame L. H. Rear - Ball Accelerator
7.	55-279455-000		Side Frame R.H. Front - Ball Accelerator
8.	55-279456-000		Side Frame L.H. Rear - Ball Accelerator
9.	55-279461-000		Side Frame L.H. Front - Division Kickback
10.	55-279462-000		Side Frame L.H. Rear - Division Kickback
11.	55-279459-000		Side Frame R.H Front - Division Kickback
12.	55-279460-000		Side Frame R.H Rear - Division Kickback
13.	11-054829-000		Button Head Cap screw (M10 x 50 mm)
14.	11-052018-000		Flat Washer (M10)
15.	55-279306-000		Front Pit Board Assembly R.H.
	15a. 55-279306-C02		Top Pit Board R.H.
	15b. 55-279306-C01		Front Pit Board Plate R.H.
	15c. 55-279463-000		Long Strip
	15d. 11-051894-000		Torx Self Cntr Sink Head Wood Screw (M5 x 35 mm)
16.	55-279308-000		Rear Pit Board R.H.
	16a. 55-279308-C02		Rear Top Plate R.H,
	16b. 55-279308-C01		Rear Pit Board R.H.
	16c. 55-279308-C03		Rear Top Short Plate
	16d. 11-051897-000		Torx Self Cntr Sink Head Wood Screw (M4.5 x 20 mm)
17.	55-279305-009		Front Pit Board Assembly
17a.	55-279305-C02		Front Top Plate L.H,
17b.	55-279305-C01		Front Pit Board Plate
17c.	55-279463-000		Long Strip
17d.	11-051894-000		Torx Self Cntr Sink Head Wood Screw (M5 x 35 mm)
18.	55-279307-000		Rear Pit Board R.H.
	18a. 55-279307-C02		Rear Top Plate R.H.
	18b. 55-279307-C01		Rear Pit Board Plate L.H.
	18c. 55-279307-C03		Rear Top Plate L.H.
	18d. 11-051897-000		Torx Self Center Sink Head Wood Screw (M4.5 x 20 mm)

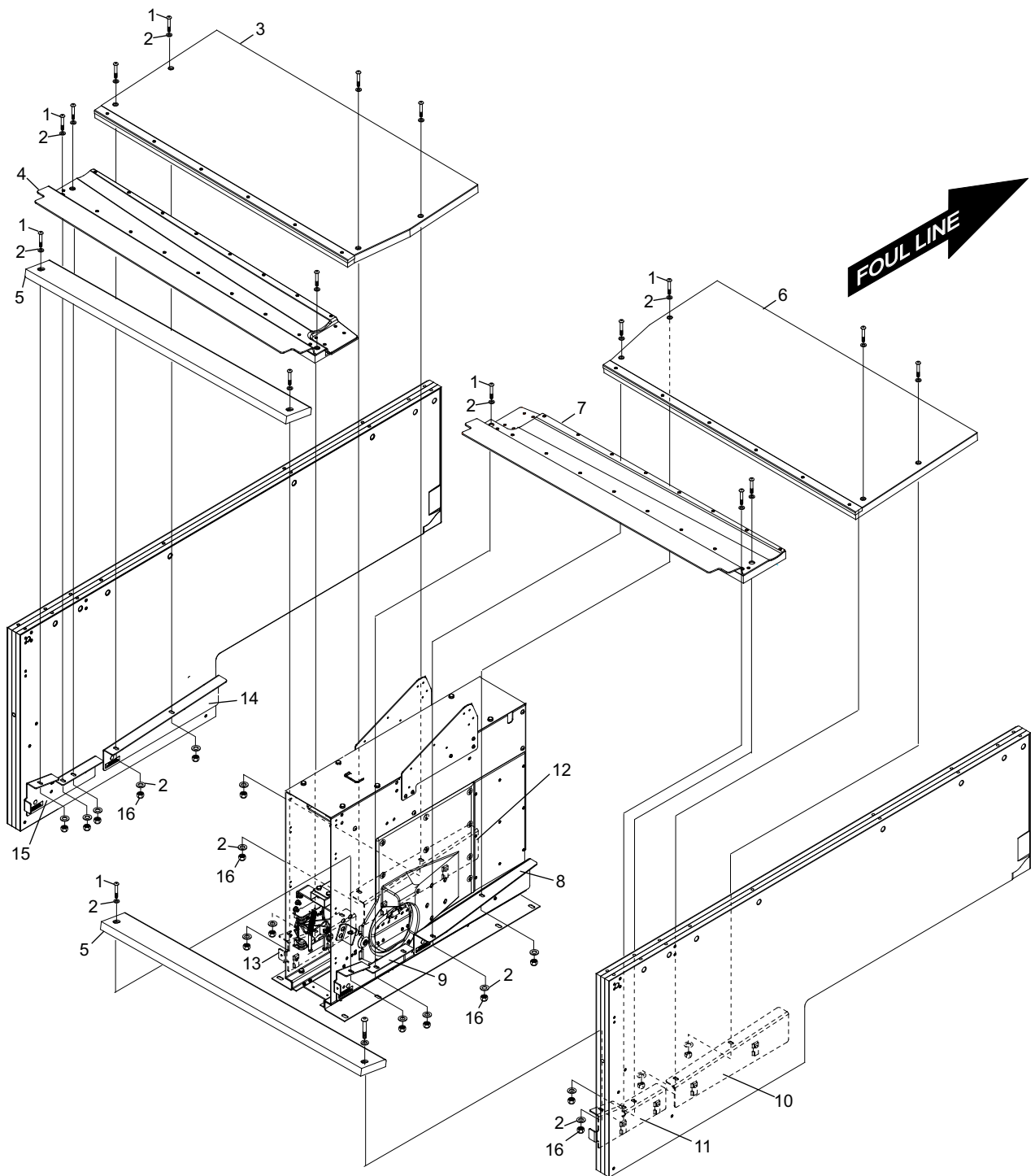
## Pit Frames and Boards



**Pit Frames and Boards**

<b>Index No.</b>	<b>Part No.</b>	<b>Package / Order Reference</b>	<b>Description</b>
1.	11-054829-000		Button Head Cap screw (M10 x 50 mm)
2.	11-052018-001		Flat Washer
3.	55-279698-009		Assembly R.H. Front Pit Board
4.	55-279682-009		Pit Board R.H. Rear Front
5.	55-279688-000		Rear Common Pit Board
6.	55-279697-009		Assembly L.H. Front Pit Board
7.	55-279681-009		Assembly Pit Board L.H. Rear Front
8.	55-279694-000		Pit Board Mounting Bracket L.H. Front - Ball Accelerator
9.	55-279690-000		Pit Board Mounting Bracket L.H. Rear - Ball Accelerator
10.	55-279693-000		Pit Board Mounting Bracket L.H. Front - Division Kickback
11.	55-279689-000		Pit Board Mounting Bracket L.H. Rear - Division Kickback
12.	55-279696-000		Pit Board Mounting Bracket R.H. Front - Ball Accelerator
13.	55-279692-000		Pit Board Mounting Bracket R.H. Rear - Ball Accelerator
14.	55-279695-000		Pit Board Mounting Bracket R.H. Front - Division Kickback
15.	55-279691-000		Pit Board Mounting Bracket R.H. Rear - Division Kickback
16.	11-051745-001		Lock Nut (M10 w/Nylon Insert)

## Pit Frames and Boards - Vacuum Formed

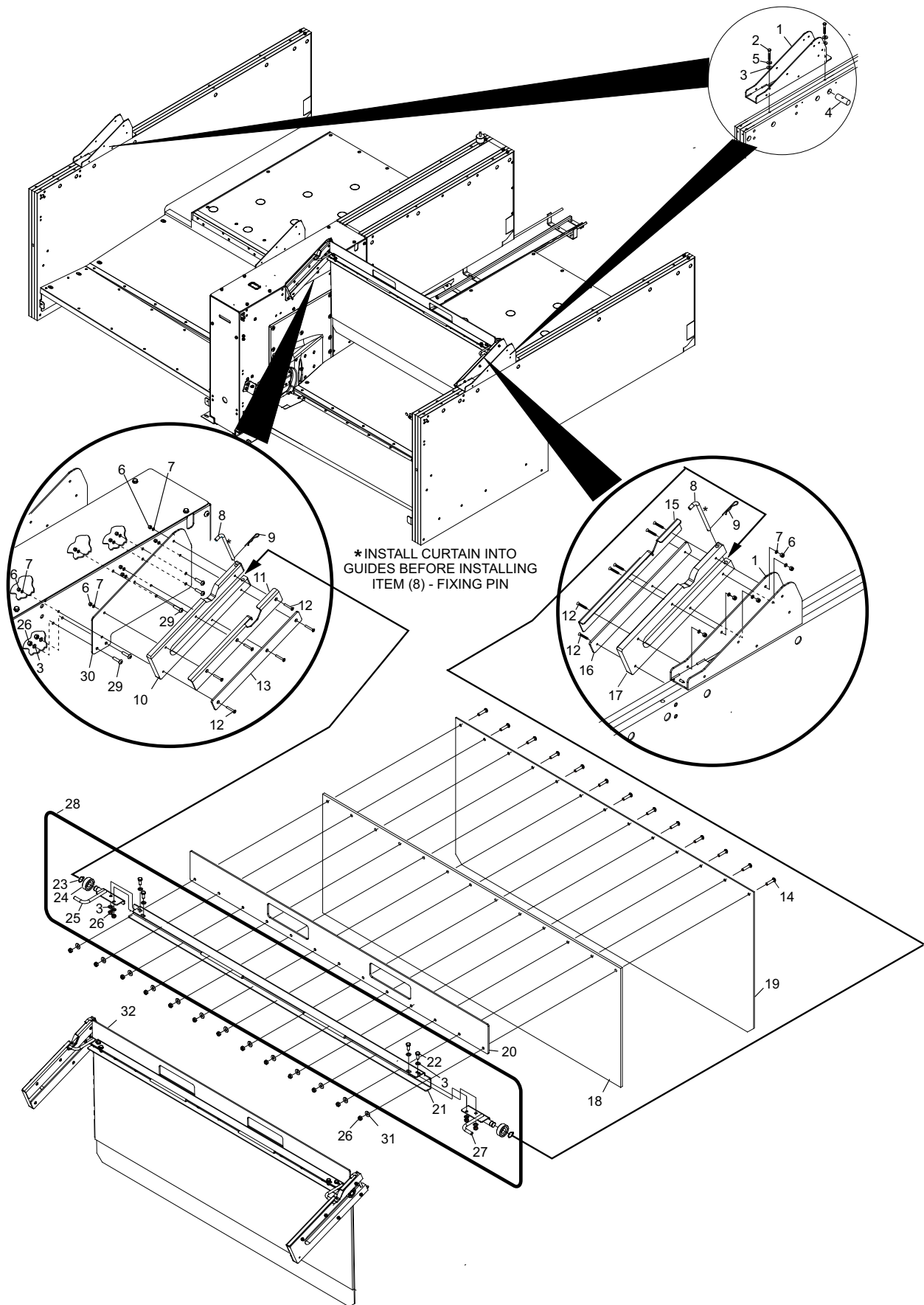


**Pit Frames and Boards - Vacuum Formed**

Index No.	Part No.	Package / Order Reference	Description
1.	55-279312-000		Curtain Holder - Division Side
2.	11-051054-001		Hex Head Cap Screw (M8 x 60 mm)
3.	11-052003-001		Flat Washer (M8)
4.	84-200073-000		Barrel Nut (M8)
5.	11-051770-001		Lock Washer (M8)
6.	11-051742-000		Locknut (M5)
7.	11-052020-001		Flat Washer (M10)
8.	55-279204-000		Fixing Pin
9.	11-054300-000		Cotter Pin
10.	55-279199-000		Side Curtain Holder, R.H.
11.	55-279202-000		Curtain Guide Rail, R.H.
12.	11-052941-001		Flat Head Socket Screw
13.	55-279395-000		Protector Plate, R.H.
14.	11-051815-000		Button Head Screw (M8 x 35 mm)
15.	55-279201-000		Curtain Guide Rail, L.H.
16.	55-279394-000		Protector Plate, R.H.
17.	55-279200-000		Side Curtain Holder, L.H.
18.	55-279203-001		Assembly, Moving Pin Curtain Holder
19.	55-279197-000		Pin Curtain, Front
20.	47-021084-000		Rubber Curtain
20.	55-279356-000		Upper Guard
21.	55-279203-000		Moving Pin Curtain Holder
22.	11-051010-000		Hex Head Cap Screw (M8 x 20 mm)
23.	11-051852-000		External Retaining Ring
24.	55-279393-000		Bearing
25.	55-279296-000		Assembly Adjusting Plate, R.H.
26.	11-051744-000		Locknut (M4)
27.	55-279295-000		Assembly Adjusting Plate, L.H.
28.	55-279203-001		Assembly, Moving Pin Curtain Holder
29.	11-054801-001		Button Head Screw
30.	55-109301-000		Curtain Holder
31.	11-052006-000		Flat Washer
32.	55-279196-009		Curtain Assembly

## Pit Curtain

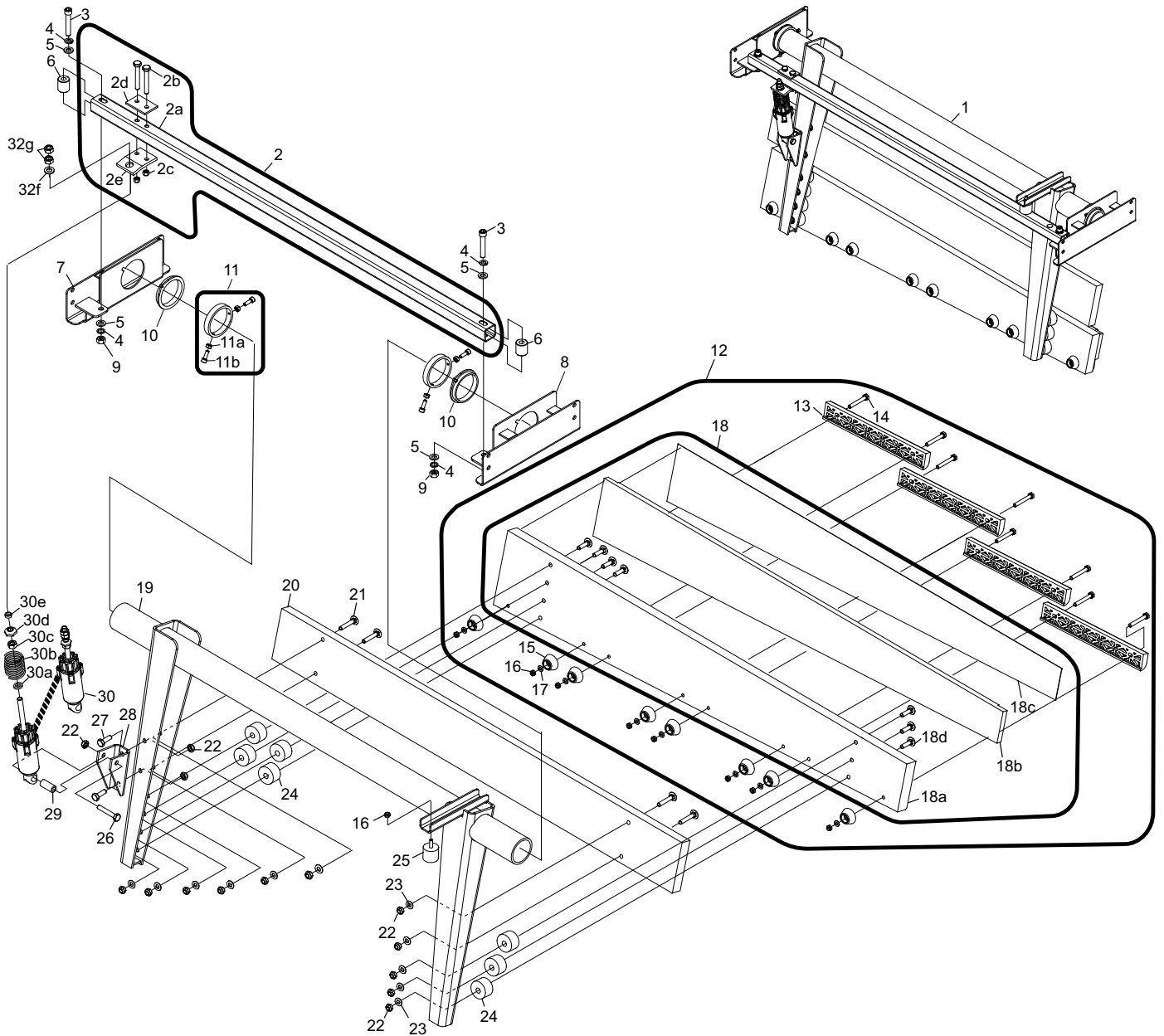




**Pit Curtain**

Index No.	Part No.	Package / Order Reference	Description
1.	55-279323-009		L.H. Ball Cushion Assembly
2.	55-279320-009		Transverse Bar Assembly
	2a. 55-279320-000		Traverse Bar
	2b. 11-051031-000		Hex Head Cap Screw (M10 x 65 mm)
	2c. 11-051745-000		Locknut (M4)
	2d. 47-021120-004		Square Tube Mounting Plate
	2e. 47-021111-004		Hydraulic Mounting Plate
3.	11-051554-000		Socket Head Cap Screw (M12 x 70 mm)
4.	11-051772-000		Lock Washer
5.	11-052015-000		Flat Washer
6.	47-021110-004		Square Tube Spacer
7.	55-279319-000		Ball Cushion Holder, RH
8.	55-279318-000		Ball Cushion Holder, LH
9.	11-051706-000		Locknut
10.	99-010108-004		Bearing
11.	47-020953-004		Stop Collar
	11a. 11-051702-000		Hex Nut
	11b. 11-051515-000		Socket Head Cap Screw (M8 x 16 mm)
12.	55-279321-009		Assembly, Ball Cushion Board, LH - includes index nos 13, 14, 15, 16, 17, 18, 18a, 18b, 18c, and 18d
13.	47-021010-003		Impact Strip
14.	11-051055-000		Hex Head Cap Screw (M8 x 60 mm)
15.	47-023660-004		Cap
16.	11-051744-000		Locknut
17.	11-052003-000		Flat Washer
18.	47-027221-000		Assembly, Ball Cushion Board, LH - includes index nos. 18a, 18b, 18c and 18d
	18a.47-027219-000		Ball Cushion Board, LH
	18b.47-024953-000		PUR Foam Pit Board, LH
	18c.47-025152-003		Facing
	18d.11-052623-000		Carriage Bolt (M10 x 40 mm)
19.	55-279316-000		String Cushion Frame, LH
20.	55-279392-000		Ball Cushion Baiord, Top
21.	11-052618-000		Carriage Bolt (M10 x 40 mm)
22.	11-051745-000		Locknut
23.	11-054274-001		Flat Washer
24.	99-070398-004		Rubber Bumper
25.	11-053591-000		Motor Mount
26.	11-051071-000		Hex Head Cap Screw (M10 x 60 mm)
27.	11-051019-000		Hex head Cap Screw (M10 x 25 mm)
28.	47-025637-000		Support
29.	47-052638-000		Spacer
30.	99-026121-000		Shock, Complete - includes index nos. 30a, 30b, 30c, 30d, and 30e
	30a. 11-055351-000		Seal
	30b. 47-071602-004		Spring
	30c. 11-051706-000		Hex Nut
	30d. 47-021119-004		Round Top
	30e. 47-021108-004		Spacer for Hydraulic

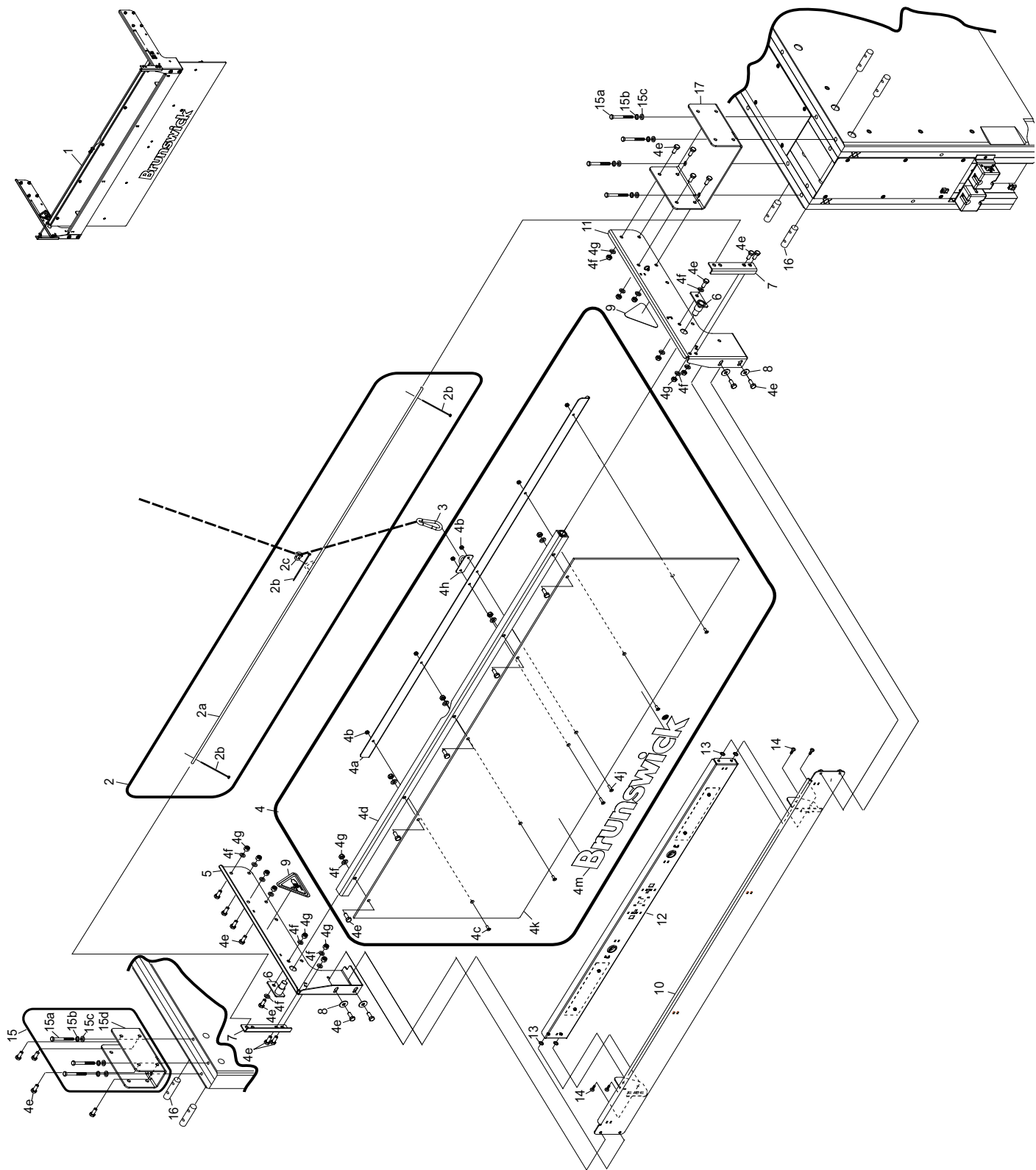
## Ball Cushion



## Ball Cushion

Index No.	Part No.	Package / Order Reference	Description
1.	55-279195-009		Front Gate Package - does not include index No. 12
2.	55-277826-000		Assembly Elastic String
	2a. 55-277826-000		Elastic String
	2b. 11-603119-000		Cable Tie
	2c. 11-599006-000		Snap Hook
3.	11-599005-000		Snap Ring
4.	55-279193-009		Assembly Front Gate
	4a. 55-279211-000		Cross Support
	4b. 11-052742-000		Locknut (M5)
	4c. 11-051947-000		Flat Socket Head Cap Screw
	4d. 55-279194-000		Front Gate Support
	4e. 11-051010-000		Hex Head Cap Screw
	4f. 11-052003-000		Flat Washer
	4g. 11-051744-000		Lock Nut (M8)
	4h. 11-056301-000		Clasp Eyepad
	4j. 11-052953-000		Flat Socket Head Cap Screw
	4k. 55-279193-000		Gate Board Plate
5.	55-279209-000		L.H. Front Gate Holder
6.	55-279207-000		Fixing Pin
7.	55-277827-000		"L" Bracket
8.	11-052019-000		Flat Washer
9.	99-268201-003		"Pinch Point" Safety Label
10.	55-279210-000		Pin Light Holder
11.	55-279208-000		RH Front Gate Holder
12.	57-501526-000		Nitro Deck Lite Dual Color
	57-501524-000		Nitro Deck Lite Multi Color
13.	11-052023-021		External Tooth Lock Washer
14.	11-053788-015		Pan Head Screw (M5 x 12 mm)
15.	55-279350-009		Package - Front Gate Support, LH - includes index Nos. 15a, 15b, 15c, and 15d
	15a. 11-051054-001		Hex Head Cap Screw (M8 x 60 mm)
	15b. 11-051770-001		Lock Washer
	15c. 11-052003-000		Flat Washer
	15d. 55-279337-000		Front Gate Support, LH
16.	84-200073-000		Barrel Nut
17.	55-277934-000		Front Gate Support - Ball Return

## Front Gate / Pinlight



Front Gate / Pinlight

Intentionally Blank Page

**Section C**

**Ball Accelerator /  
Ball Elevator**

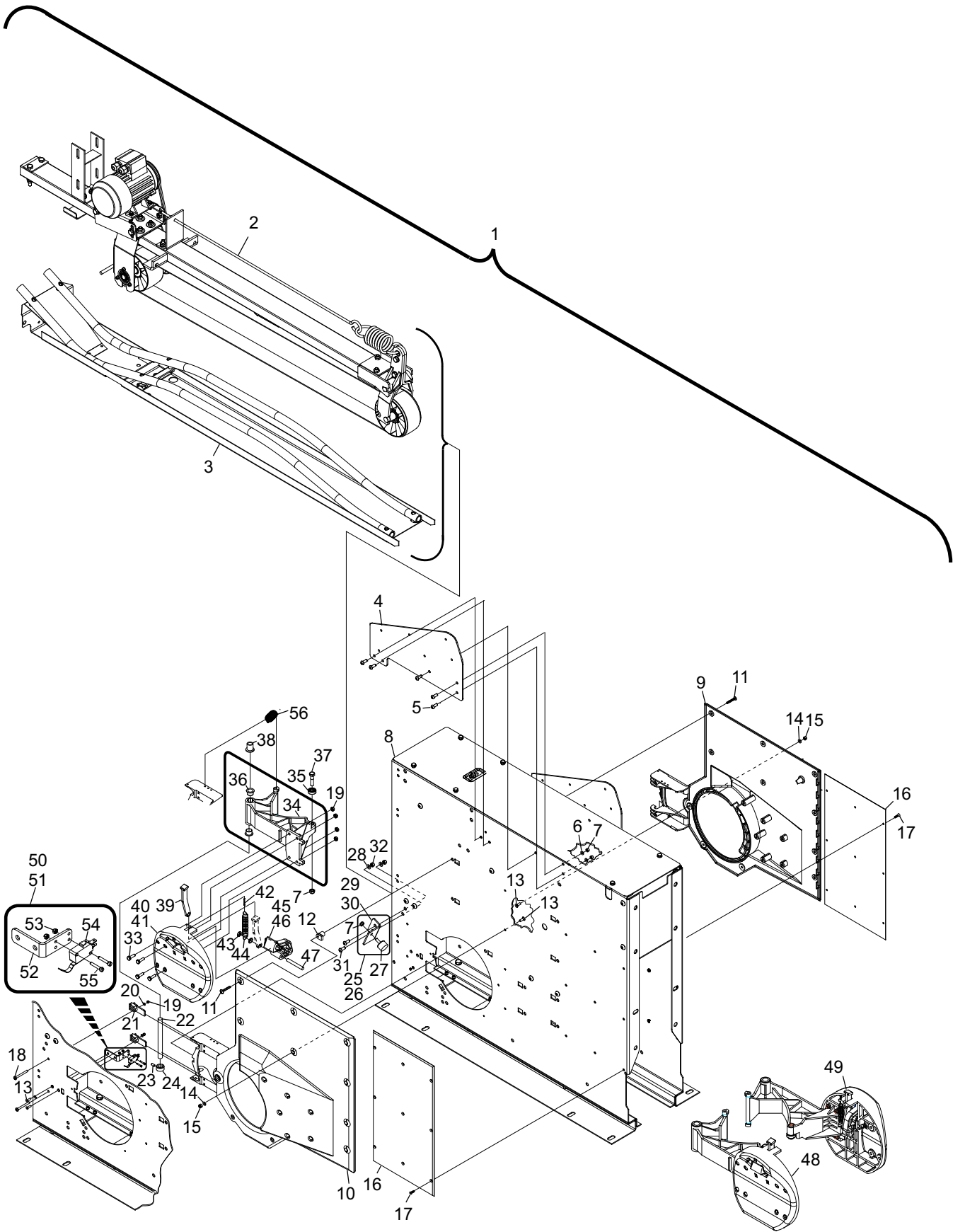
**SECTION REVISION DATE**

*June 2024*

Index No.	Part No.	Package / Order Reference	Description
1.	55-109489-xxx		Boost Ball Accelerator Complete w/Drive and Guide Assembly
2.	47-036695-xxx		Drive Assembly for Ball Accelerator (XXX)
3.	47-037474-009		Ball Guide Assembly
4.	55-109301-000		Curtain Holder
5.	11-054801-000		Button Head Socket Cap Screw (M8 x 20 mm)
6.	11-052003-000		Flat Washer
7.	11-051744-000		Lock Nut (M8)
8.	55-109490-000		Ball Accelerator Box Assembly
9.	47-035241-000		Accelerator Side Plate L.H.
10.	47-035240-001		Accelerator Side Plate R.H.
11.	11-054466-000		Button Head Screw (K60 x 25 mm)
12.	11-055800-000		EJOT Plastic Nut
13.	11-052933-000		Flat Socket Head Screw
14.	11-052020-000		Flat Washer
15.	11-051752-000		Locknut (M5)
16.	55-109495-000		Ball Accelerator Box Protector Plate
17.	11-052947-000		Flat Socket Head Screw
18.	11-053795-000		Pan Head Screw (M6 x 60 mm)
19.	11-051743-001		(M6) Locknut
20.	11-052008-000		(M6) Flat Washer
21.	47-035239-004		Holder
22.	47-035238-004		Ball Door Arm Shaft
23.	11-053101-001		Set Screw (M x 8 mm)
24.	11-053622-000		Stop Ring
25.	55-279288-009		Ball Cushion Stop Assembly L.H.
26.	55-279289-009		Ball Cushion Stop Assembly R.H. - Not Illustrated
27.	99-020434-004		Rubber Bumper
28.	11-052018-001		Flat Washer
29.	55-279288-000		Cushion Stop L.H.
30.	55-279289-000		Cushion Stop R.H. - Not Illustrated
31.	11-054805-000		Button Socket Head Cap Screw (M10 x 25 mm)
32.	11-051745-000		Locknut
33.	11-051018-000		Hex Head Cap Screw (M6 x 20 mm)
34.	47-035099-001		Ball Door Lever
35.	11-430046-000		Bearing
36.	47-034842-004		Bushing
37.	11-051067-000		Hex Head Cap Screw (M8 x 35 mm)
38.	99-010102-004		Bushing
39.	47-031822-004		Lever
40.	47-031054-002 L		Accelerator Ball Door L.H.
41.	47-031054-002 R		Accelerator Ball Door R.H. - Not Illustrated
42.	11-051793-000		Split Pin
43.	11-053477-000		Speed Nut
44.	47-034767-004		Tension Spring
45.	47-031056-003		Ball Door Key L.H.
46.	47-031055-003		Ball Door Key R.H. - Not Illustrated
47.	47-031091-004		Ball Door Shaft
48.	47-033555-009		Ball Door w/Arm Assembly, L.H.
49.	47-033556-009		Ball Door w/Arm Assembly, R.H.
50.	47-036706-009		Ball Door Sensor Assembly, L.H.
51.	47-036707-009		Ball Door Sensor Assembly, R.H. - Not Illustrated
52.	47-036711-001		Ball Door Sensor Bracket
53.	11-051746-000		Locknut
54.	11-050325-004		Micro Switch
55.	11-052216-000		Slot Head Machine Screw (M3 x 18 mm)
56.	47-030276-004		Door Spring

## Ball Accelerator Assembly (Subway)

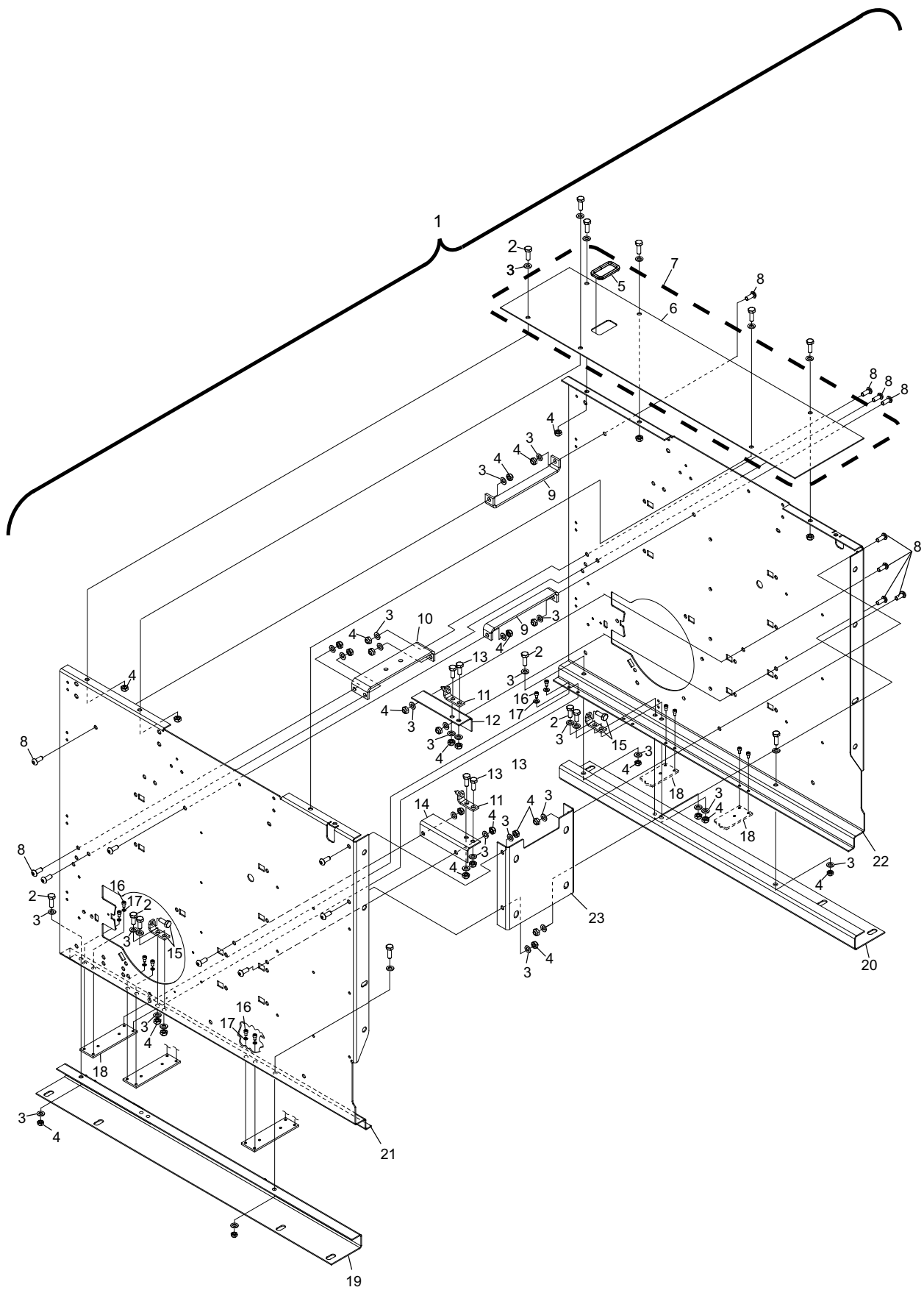




**Ball Accelerator Assembly (Subway)**

<b>Index No.</b>	<b>Part No.</b>	<b>Package / Order Reference</b>	<b>Description</b>
1.	55-109490-000		Accelerator Box Assembly
2.	11-051045-000		Hex Head Cap Screw (M10 x 30 mm)
3.	11-052018-000		Flat Washer (M10)
4.	11-051745-000		Locknut (M10)
5.	47-083085-004		Edge Protection
6.	55-109287-000		Top Plate Ball Accelerator Box
7.	55-109287-001		Top Plate Assembly w/Edge Protection
8.	11-054805-000		Button Socket Head Screw (M10 x 25 mm)
9.	47-035207-000		Cross Support Brace
10.	47-035228-000		Cross Support Brace
11.	47-035220-003		Bracket for Ball Accelerator
12.	47-035223-000		Front Support R.H. For Ball Accelerator
13.	11-051019-000		Hex Head Cap Screw (M10 x 25 mm)
14.	47-035224-000		Front Support L.H. For Ball Accelerator
15.	47-035219-003		Angle Bracket
16.	11-051519-000		Socket Head Cap Screw (M6 x 10 mm)
17.	11-055250-001		Flat Washer
18.	47-035204-003		Plate
19.	55-109494-000		C-Profile, L.H.
20.	55-109493-000		C-Profile, R.H.
21.	55-109492-000		Side Plate, L.H.
22.	55-109491-000		Side Plate, R.H.
23.	47-035208-000		Support Plate

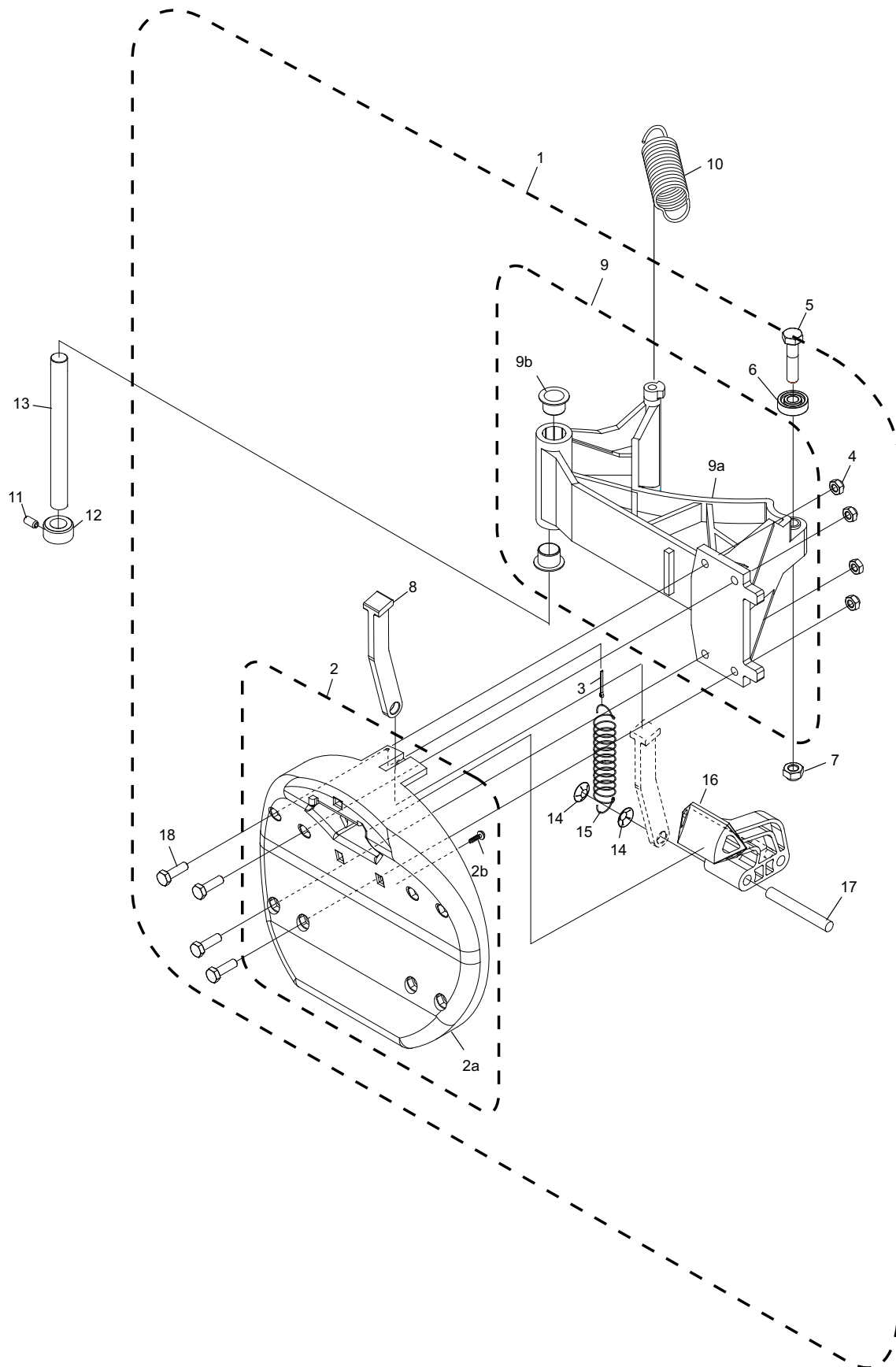
## Accelerator Box Assembly (Subway)



**Accelerator Box Assembly (Subway)**

<b>Index No.</b>	<b>Part No.</b>	<b>Package / Order Reference</b>	<b>Description</b>
1.	47-035555-009		Ball Door Assembly w/Arm, L.H.
2.	47-031054-002		Ball Door Assembly
	2a. 47-031054-C01		Ball Door - only
	2b. 11-054463-000		Self Tapping Screw (KB30 x 7 mm)
3.	11-051793-000		Split Pin
4.	11-051743-000		(M6 ) Locknut
5.	11-051067-000		Hex Head Cap Screw (M8 x 35 mm)
6.	11-430046-000		Bearing
7.	11-051743-000		Locknut
8.	47-031822-004		Lever
9.	47-031058-001		Arm w/Bushings
	9a. 47-035099-001		Arm
	9b. 47-034842-004		Bushing
10.	47-030276-004		Tension Spring
11.	11-053101-001		Set Screw
12.	11-053622-000		Stop Ring
13.	47-035238-004		Ball Door Arm, Shaft
14.	11-053477-001		Speed Nut
15.	47-034767-004		Spring
16.	47-031056-003		Ball Door Key, L.H.
17.	47-031091-004		Shaft
18.	11-051018-000		Hex Head Cap Screw (M6 x 20 mm)

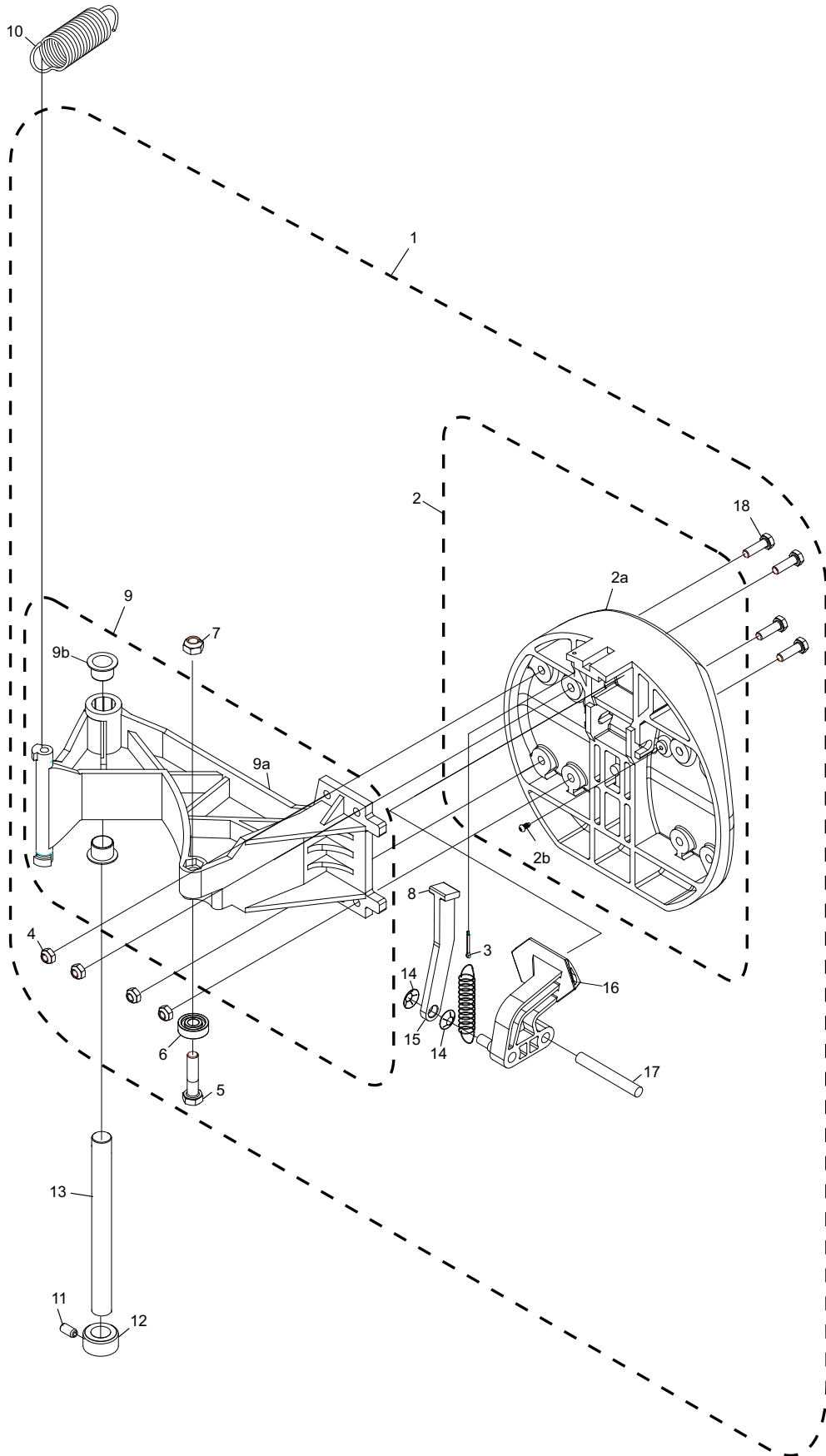
## Ball Door/Lock Assembly, Left Hand (Subway)



**Ball Door/Lock Assembly, Left Hand (Subway)**

<b>Index No.</b>	<b>Part No.</b>	<b>Package / Order Reference</b>	<b>Description</b>
1.	47-035556-009		Ball Door Assembly w/Arm, R.H.
2.	47-031054-002		Ball Door Assembly
	2a. 47-031054-C01		Ball Door - only
	2b. 11-054463-000		Self Tapping Screw (KB30 x 7 mm)
3.	11-051793-000		Split Pin
4.	11-051743-000		(M6) Locknut
5.	11-051067-000		Hex Head Cap Screw (M8 x 35 mm)
6.	11-430046-000		Bearing
7.	11-051744-000		(M8) Locknut
8.	47-031822-004		Lever
9.	47-031058-001		Arm w/Bushings, Assembly
	9a. 47-035099-001		Arm
	9b. 47-034842-004		Bushing
10.	47-030276-004		Tension Spring
11.	11-053101-001		Set Screw
12.	11-053622-000		Stop Ring
13.	47-035238-004		Ball Door Arm, Shaft
14.	11-053477-001		Speed Nut
15.	47-034767-004		Spring
16.	47-031055-003		Ball Door Key, R.H.
17.	47-031091-004		Shaft
18.	11-051018-000		Hex Head Cap Screw (M6 x 20 mm)

## Ball Door/Lock Assembly, Right Hand (Subway)

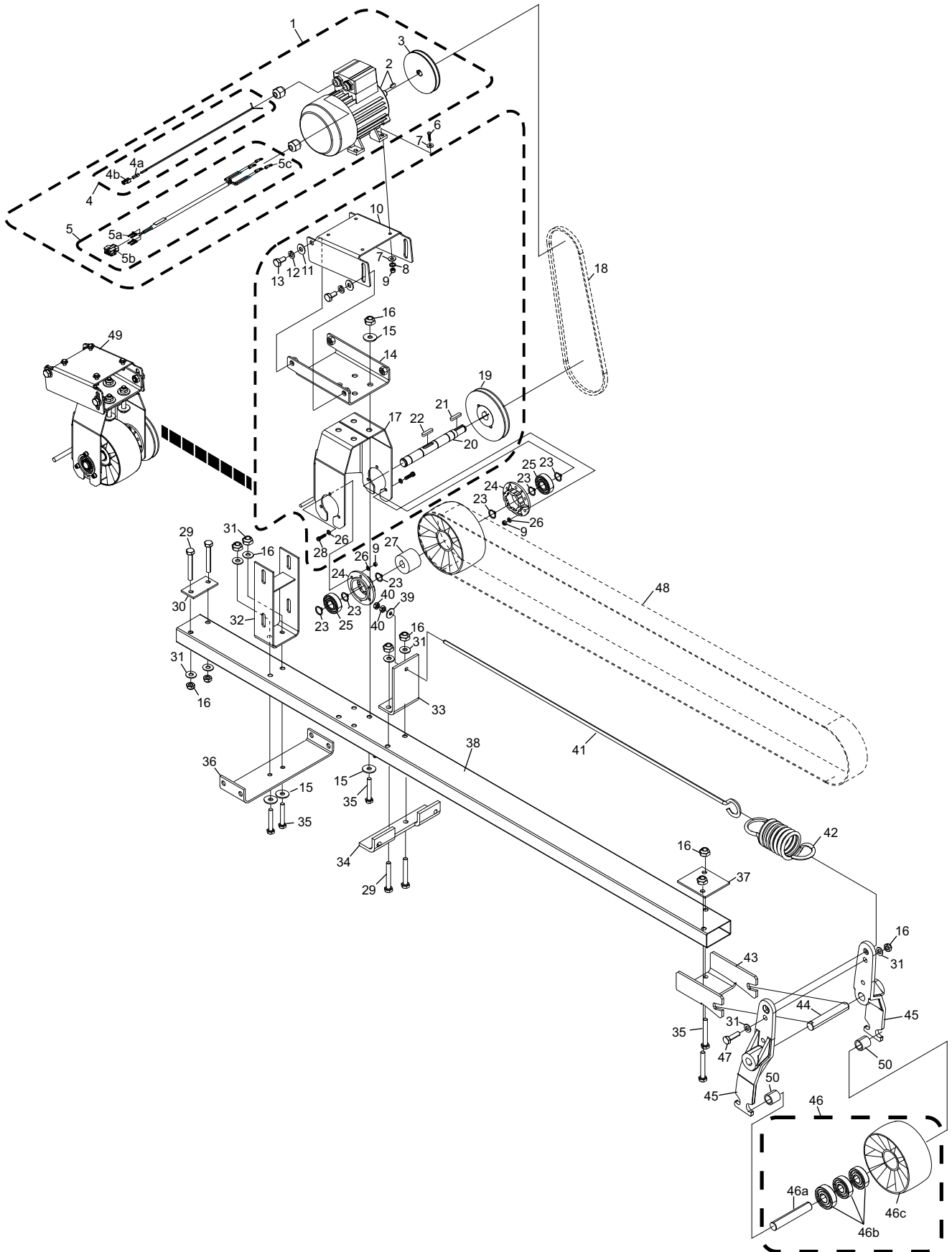


**Ball Door/Lock Assembly, Right Hand (Subway)**

Index No.	Part No.	Package / Order Reference	Description
1.	47-076891-230		208/230V Motor w/Cables and Pulley - includes index nos. 2, 3, 4, 4a, 4b, 5, 5a, 5b, and 5c
	47-076891-400		400V Motor w/Cables and Pulley - includes index nos. 2, 3, 4, 4a, 4b, 5, 5a, 5b, and 5c
2.	99-076885-000		Motor w/Key
3.	47-036703-001		Pulley
4.	47-245429-004		Thermal Overload Switch, Cable Assembly - includes index nos. 4, 4a, and 4b
	4a.11-680302-000		Pin
	4b.11-680116-001		Housing
5.	47-076898-000		Ball Accelerator Cable - includes index nos. 5a, 5b, and 5c
	5a.11-696737-000		Terminal
	5b.11-696719-000		Housing
	5c.47-224762-004		Terminal
6.	11-051028-001		Hex Head Cap Screw
7.	11-052048-001		Flat Washer
8.	11-051769-000		Lock Washer
9.	11-051743-000		Locknut
10.	47-037451-000		Upper Motor Mounting Plate
11.	11-052028-000		Flat Washer
12.	11-051771-000		Lock Washer
13.	11-051005-000		Hex Head Cap Screw (M10 x 20 mm)
14.	47-037452-000		Plate
15.	11-052050-001		Flat Washer
16.	11-051745-000		Locknut
17.	47-036697-001		Bracket
18.	11-053912-000		Belt
19.	47-025049-003		V-Belt Pulley
20.	47-036700-001		Shaft
21.	11-053508-001		Key
22.	11-053509-001		Key
23.	11-051853-000		Retaining Ring
24.	47-014752-003		Bearing Housing
25.	11-430015-000		Bearing
26.	11-052007-000		Flat Washer
27.	47-036701-001		Driving Roller
28.	11-051520-000		Socket Head Cap Screw (M3 x 30 mm)
29.	11-051093-000		Hex Head Cap Screw (M10 x 75 mm)
30.	47-035344-004		Plate
31.	11-052018-001		Flat Washer
32.	47-035225-000		Ball Accelerator Support
33.	47-035235-000		Support Bracket
34.	47-035229-000		Shaft Holder
35.	11-051087-000		Hex Head Cap Screw (M10 x 65 mm)
36.	47-036704-000		Cross Support Brace
37.	47-035345-003		Plate
38.	47-037191-000		Support Bar
39.	11-052019-000		Flat Washer
40.	11-051704-001		Hex Nut
41.	47-036705-000		Tension Rod
42.	47-031248-004		Spring
43.	47-035231-000		Ball Accelerator Support
44.	47-035230-004		Shaft
45.	47-031454-000		Pivoting Level Comp
46.	47-035232-000		Wheel Assembly includes index nos. 46a, 46b, and 46c
	46a. 47-035233-004		Shaft Lower
	46b. 11-430016-000		Bearing
	46c. 47-035232-C01		Wheel
47.	11-051021-000		Hex Head Cap Screw (M10 x 35 mm)
48.	10-635127-000		Flat Belt
49.	47-036696-009		Belt Drive Assembly - contains index nos. 7, 8, 9, 10, 11, 12, 13, 14, 15, 16, 17, 19, 20, 21, 22, 23, 24, 25, 2+, 27, 28, and 39
50.	47-035234-004		Spacer

### Ball Accelerator- Belt Drive (SUBWAY)

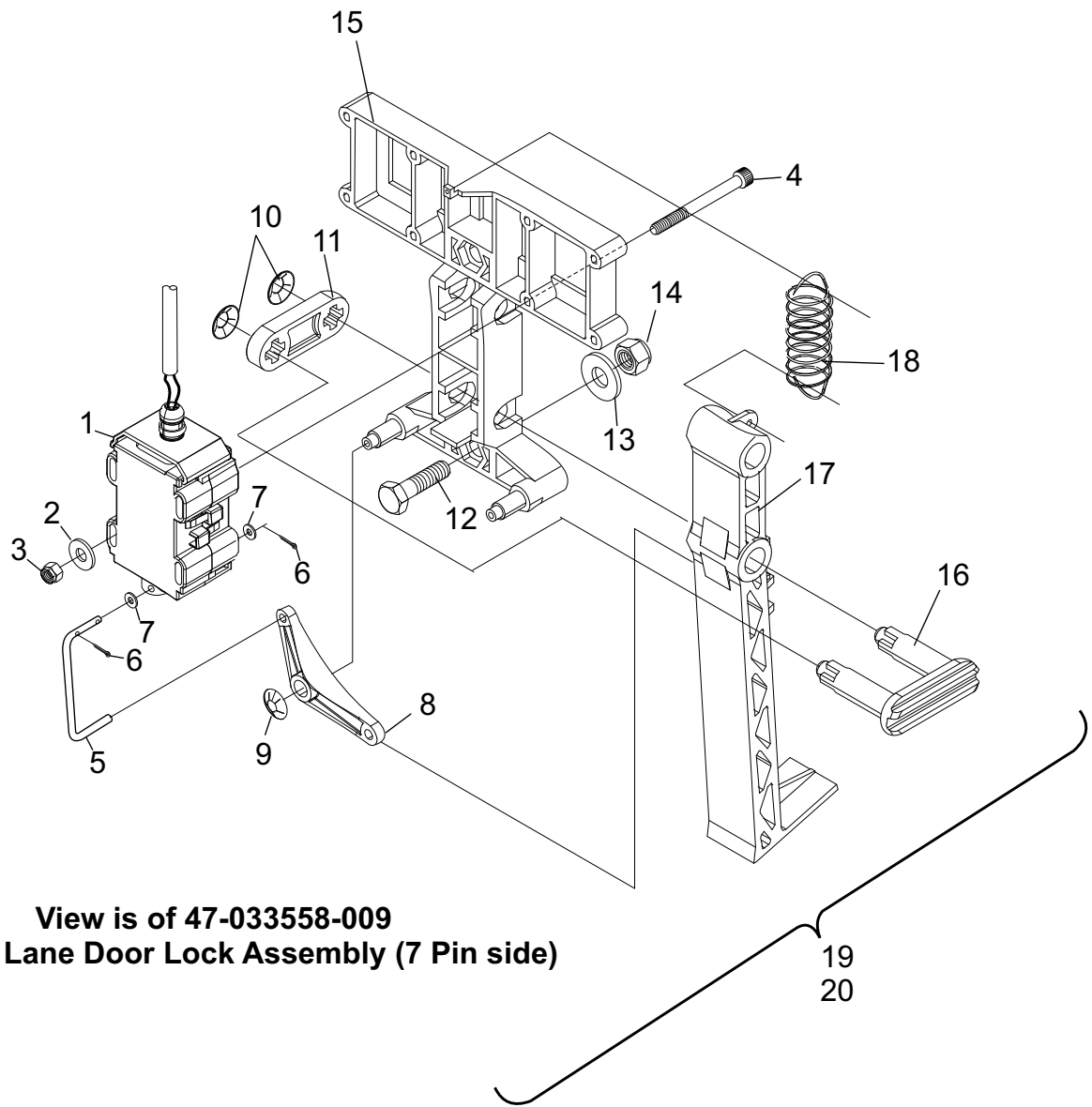




**Ball Accelerator - Belt Drive (SUBWAY)**

<b>Index No.</b>	<b>Part No.</b>	<b>Package / Order Reference</b>	<b>Description</b>
1.	99-070356-004		Solenoid Assembly
2.	11-052039-001		Flat Washer (5.3 mm)
3.	11-051742-001		Locknut (5 mm)
4.	11-051068-001		Hex Hd. Cap Screw (5 mm x 65 mm)
5.	47-031801-004		Connecting Link
6.	11-051791-001		Split (Cotter) Pin (1.6 mm x 10 mm)
7.	11-052025-001		Flat Washer (M4)
8.	47-031802-004		Lever
9.	11-053478-001		Speed Nut (8 mm)
10.	11-053480-001		Speed Nut (10 mm)
11.	47-031800-004		Pivot Link
12.	11-051021-001		Hex Hd. Cap Screw (10 mm x 35 mm)
13.	11-052028-001		Flat Washer (10.5 mm)
14.	11-051745-001		Locknut (10 mm)
15.	47-031796-002		Holder
16.	47-031798-004		Connecting Stud
17.	47-031797-002		Locking Bolt
18.	47-031799-004		Tension Spring
19.	47-033557-009		L.H. Door Lock Assembly
			Includes Index Numbers 1 through 18
20.	47-033558-009		R.H. Door Lock Assembly
			Includes Index Numbers 1 through 18

## Ball Door/Lock Assembly (SUBWAY)

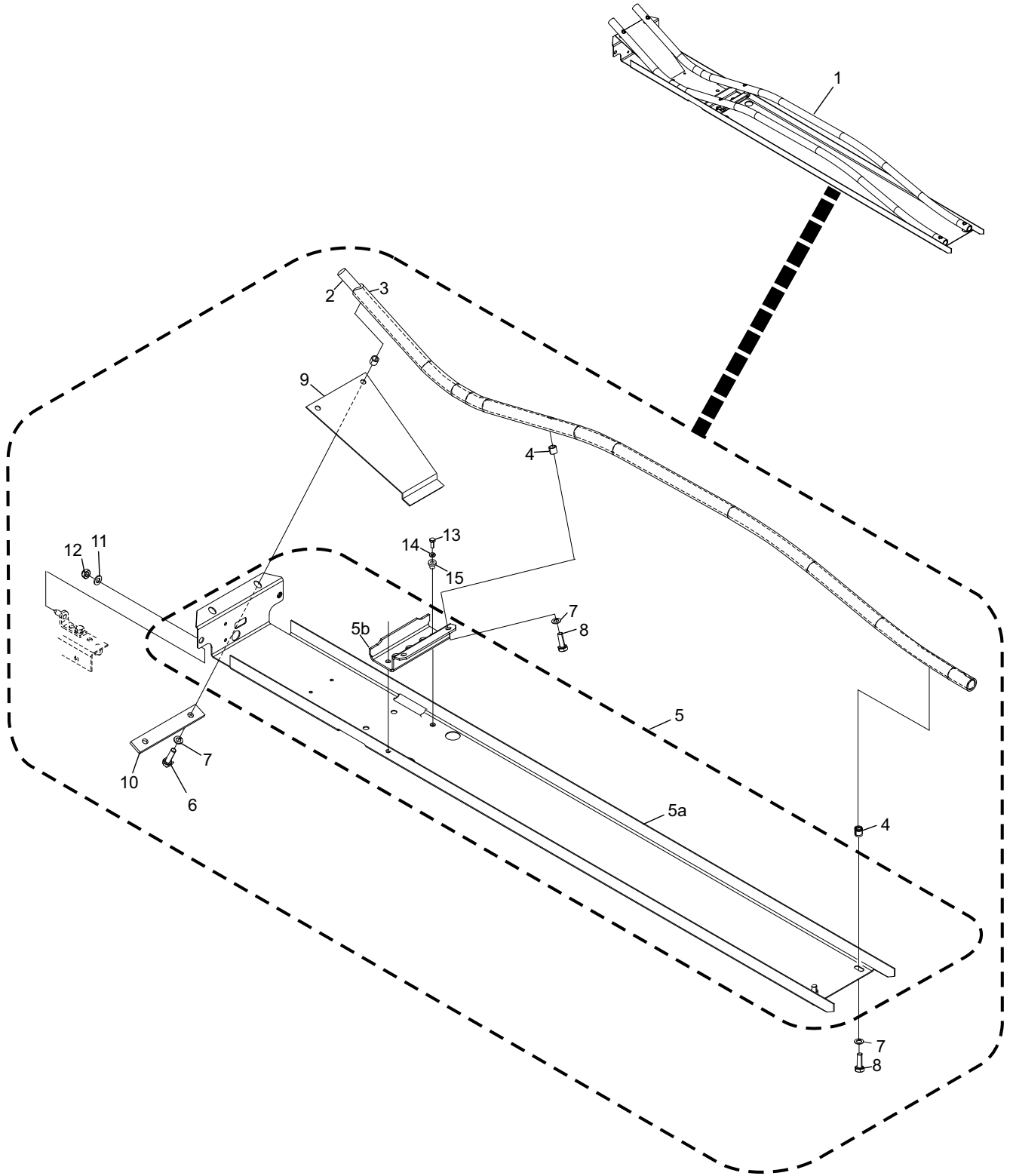


**View is of 47-033558-009  
 RH/Even Lane Door Lock Assembly (7 Pin side)**

**Ball Door/Lock Assembly (SUBWAY)**

<b>Index No.</b>	<b>Part No.</b>	<b>Package / Order Reference</b>	<b>Description</b>
1.	47-037474-009		Ball Guide Assembly - complete
2.	47-031309-001		Guide Tube
3.	47-034730-004		Plastic Tube (cover)
4.	47-035214-004		Spacer
5.	47-035211-000		Ball Rod Support Assembly
	5a. 47-035212-001		Pan Rod Support
	5b. 47-035213-002		Middle Holder - Ball Rod Support
6.	11-051078-000		Hex Head Cap Screw (M10 x 40 mm)
7.	11-051771-000		Lock Washer
8.	11-015045-000		Hex Head Cap Screw (M10 x 30 mm)
9.	47-035351-000		Protection Plate
10.	47-035311-004		Stiffening Plate - Ball Rod Support
11.	11-051019-000		Hex Head Cap Screw (M10 x 25 mm)
12.	11-051745-000		Locknut
13.	11-051035-001		Hex Head Cap Screw (M6 x 16 mm)
14.	11-053602-001		Lock Washer
15.	47-035371-004		Spacer

## Ball Accelerator Guide



**Ball Accelerator Guide**

Intentionally Blank Page

**Section D**

**Pinsetter Main Frame**

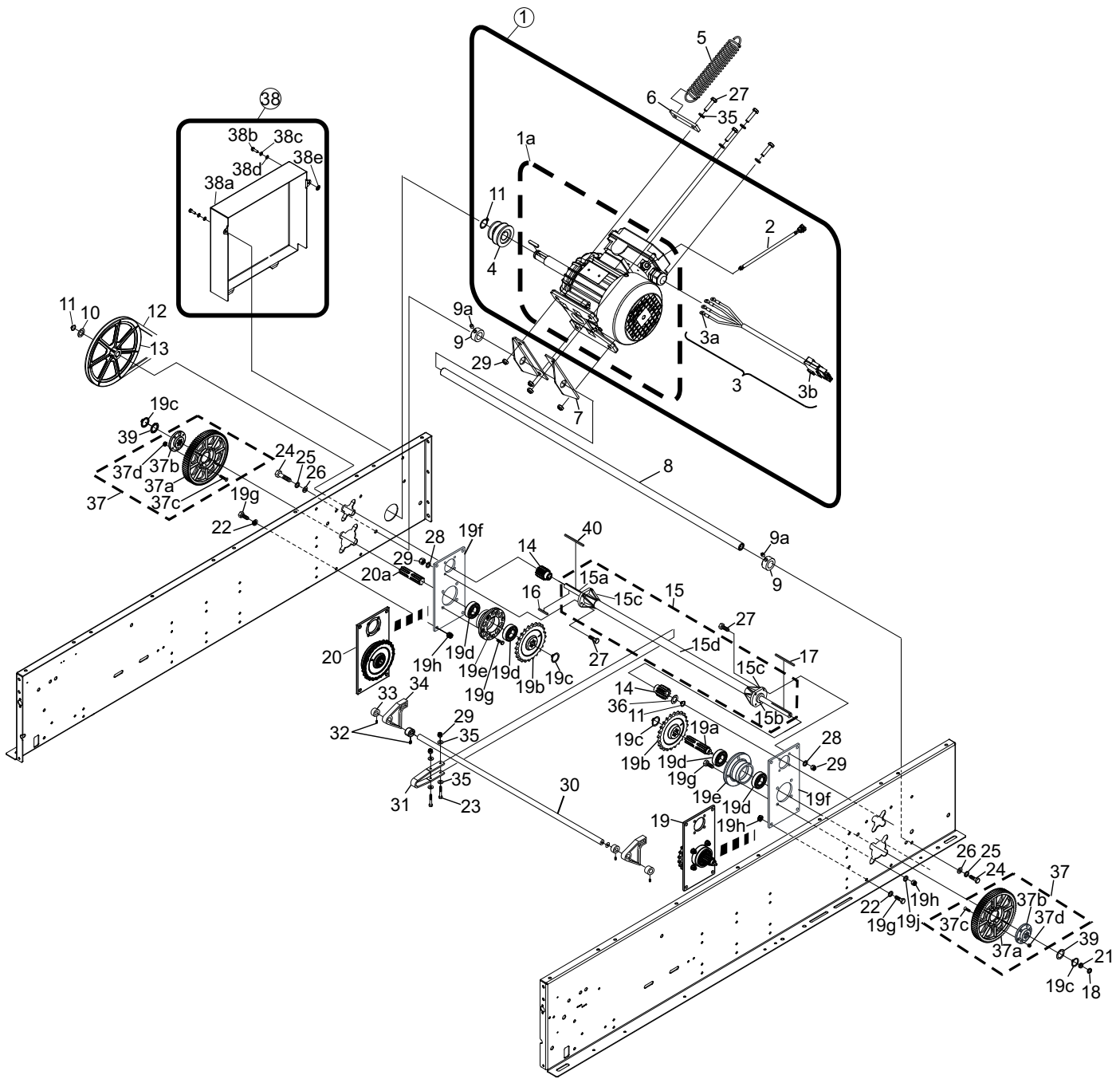
**SECTION REVISION DATE**

*APRIL 2024*

Index No.	Part No.	Package / Order Reference	Description
1.	55-079252-400		Motor - Complete with Pulley and Cables (400V)
	55-079252-230		Motor - Complete with Pulley and Cables (208V/230V)
1a.	55-079180-000		Motor (230V/400V) includes Key
2.	55-079251-400		Motor Over Load Cable Assembly
3.	55-143131-000		Assembly- Motor Cable
3a.	11-612010-000		Ring Terminal
3b.	11-696721-000		Housing
4.	55-010183-004		Motor Pulley
5.	99-020163-004		Spring
6.	55-019060-000		Spring Tension Bracket
7.	55-010184-004		Motor Mount Bracket
8.	55-050652-004		Shaft
9.	11-053616-000		Stop Ring
9a.	11-053104-000		Socket Set Screw
10.	11-054106-001		Shim Washer
11.	55-051852-000		Retaining Clip
12.	11-053916-000		Belt
13.	99-070162-002		Pulley
14.	55-020308-004		Spur Gear
15.	55-020316-009		Drive Shaft Assembly
15a.	55-020414-003		Drive Shaft
15b.	11-430029-000		Bearing
15c.	55-020392-004		Drive Shaft Bearing Retainer
15d.	55-020415-003		Drive Shaft Protective Tube
16.	11-053505-000		Key (5 x 5 x 30 mm)
17.	11-053504-000		Key (5 x 5 x 45 mm)
18.	11-053481-000		Speed Nut
19.	55-020320-009		Pinion Gear Support Assembly (Right Hand)
19a.	55-020401-004		Pinion Gear (Right Hand)
19b.	55-020405-003		Chain Wheel (Sprocket)
19c.	11-051856-001		Retaining Ring - External (25 mm, 23.2 mm ID, 34.2 OD)
19d.	11-430051-000		Bearing
19e.	55-020393-003		Bearing Retainer
19f.	55-020395-003		Bearing Bracket
19g.	11-051015-001		Hex Hd. Cap Screw (M8 x 25 mm)
19h.	11-051744-001		Locknut (M8)
19j.	11-051770-001		Lock Washer (M8 x 14.8 mm x 2 mm)
20.	55-020321-009		Pinion Gear Support Assembly (Left Hand)
20a.	55-020400-002		Pinion Gear (Left Hand)
21.	55-020485-004		Gear - Switch Cluster (16 tooth)
22.	11-052003-001		Flat Washer
23.	11-051023-001		Hex Hd. Cap Screw (M6 x 55 mm)
24.	11-051005-001		Hex Hd. Cap Screw (M10 x 20 mm)
25.	11-051771-001		Lock Washer (M10)
26.	11-052018-001		Flat Washer (M10)
27.	11-051028-001		Hex Hd. Cap Screw (M6 x 25 mm)
28.	11-051769-001		Lock Washer (M6)
29.	11-051743-001		Locknut (M6)
30.	55-060237-004		Cross Shaft
31.	55-018020-000		Clamp
32.	11-053101-001		Set Screw (M6 x 8 mm)
33.	11-053619-001		Stop Ring (Collar)
34.	55-068032-009		Locking Cam (Stop Dog)
35.	11-052008-001		Flat Washer (M6)
36.	11-054107-001		Shim Washer
37.	55-020402-009		Drive Gear Assembly
37a.	55-020402-003		Drive Gear
37b.	55-020402-004		Hub
37c.	11-052936-001		Screw - Socket Flat Head Countersunk
37d.	11-051743-001		Hex Nut (M6)
38.	55-019179-009		Drive Cover Assembly
38a.	55-019179-000		Drive Cover
38b.	11-051018-001		Hex Head Cap Screw ( M6 x20 mm)
38c.	11-051769-001		Lock Washer (M6)
38d.	11-052008-001		Flat Washer (M6)
38e.	11-053426-000		Pushnut (M6)
39.	11-054109-000		Shim Washer
40.	11-053513-000		Key (5 x 5 x 70 mm)

## Frame - Drive Assembly

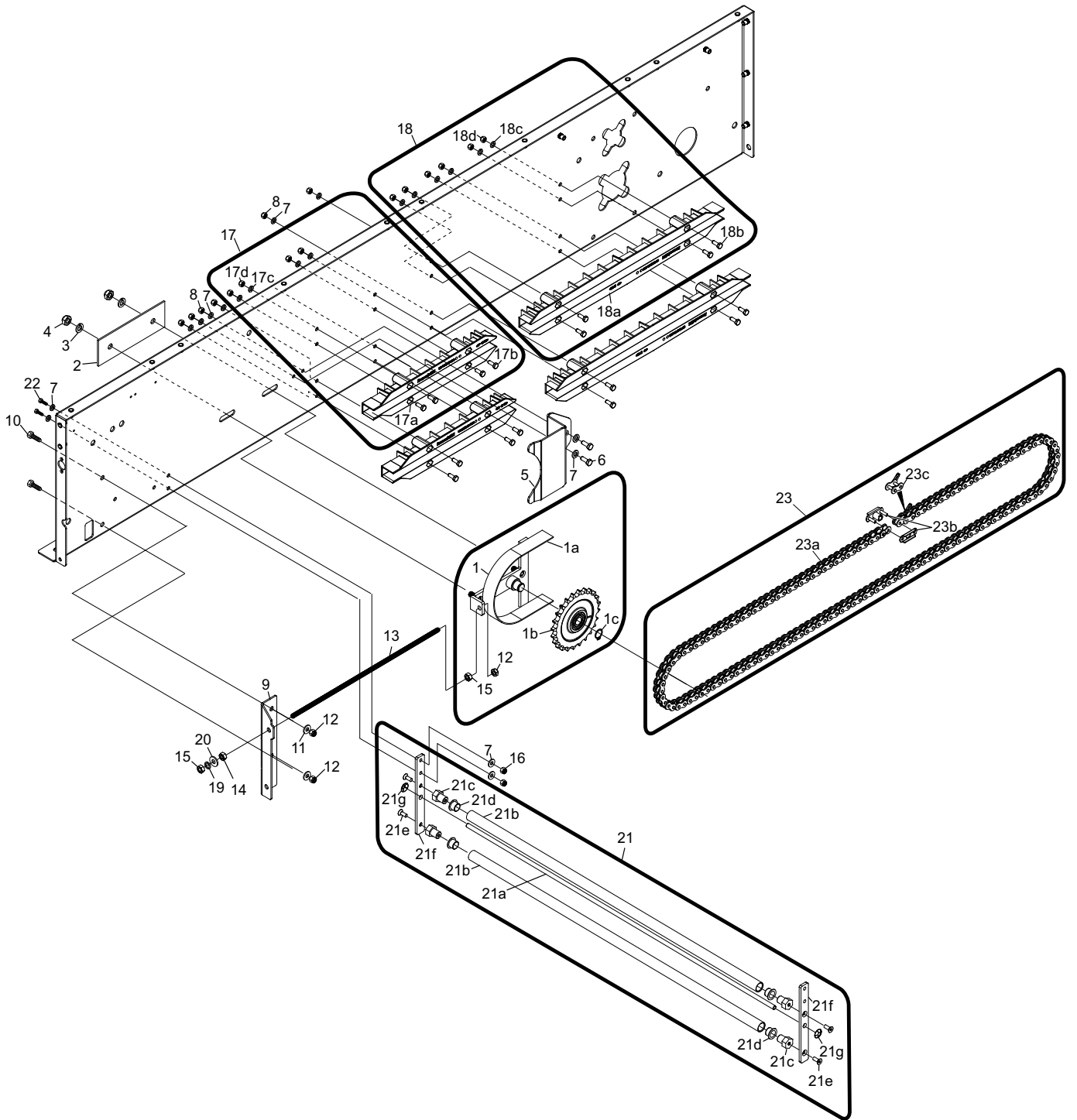




**Frame - Drive Assembly**

Index No.	Part No.	Package / Order Reference	Description
1.	55-069335-009		Drive Chain Guard Assembly
	1a. 55-069336-000		Drive Chain Guard
	1b. 55-060208-003		Sprocket
	1c. 11-051852-000		Retaining Ring - External (17 mm)
2.	55-060207-003		Tension Bracket
3.	11-051771-001		Lockwasher (M10)
4.	11-051745-001		Hex Lock Nut (M10)
5.	55-068011-000		Drive Chain Guard (Cover)
6.	11-051035-001		Hex Hd. Cap Screw (M6 x 16 mm)
7.	11-052008-001		Flat Washer (6.4 mm x 12 mm x 1.6mm)
8.	11-051743-001		Hex Lock Nut (M6)
9.	55-019145-00		PMI Bracket R.H.
10.	11-051010-001		Hex Head Cap Screw (M8 x 20 mm)
11.	11-052003-001		Flat Washer (8.4 mm x 16 mm x 1.6 mm)
12.	11-051744-001		Hex Lock Nut (M8)
13.	55-069128-000		Threaded Rod (M8 x 400 mm)
14.	11-051704-001		Hex Nut (M10)
15.	11-051704-001		Hex Nut (M8)
16.	11-051743-001		Hex Lock Nut (M6)
17.	55-068149-009		Short Chain Guide w/Mounting Hardware
	17a.55-068149-000		Short Chain Guide
	17b.11-051035-001		Hex Head Cap Screw (M6 x 16 mm)
	17c.11-052008-001		Flat Washer
	17d.11-051743-001		Hex Lock Nut (M6)
18.	55-068148-009		Long Chain Guide w/Mounting Hardware
	18a. 55-068148-000		Long Chain Guide
	18b.11-051035-001		Hex Head Cap Screw (M6 x 16 mm)
	18c.11-052008-001		Flat Washer
	18d.11-051743-001		Hex Lock Nut (M6)
19.	11-051770-001		Lock Washer
20.	11-052006-001		Flat Washer
21.	55-019375-009		Assembly - Guide Bracket
	21a. 55-018136-002		Rod - For Guide Bracket
	21b. 55-018135-002		Guide Rod
	21c. 55-018016-000		Shoulder Stud
	21d. 47-034842-004		Plastic Bushing
	21e.11-052936-001		Flat Sink Head Socket Screw (M6 x 16 mm)
	21f. 55-019376-000		Base Plate - Guide for Bracket
	21g.11-053478-001	47-861050-000	Speed Nut (Quicklock M8), Pkg Qty - 10
22.	11-051018-001		Hex Head. Cap Screw (M6 x 20 mm)
23.	55-060240-009		Chain Assembly w/Special Link
	23a. 55-060714-004		Chain Assembly
	23b. 55-060212-003		Special Chain Link
	23c. 11-600500-000		Master Link Spring Lock Type

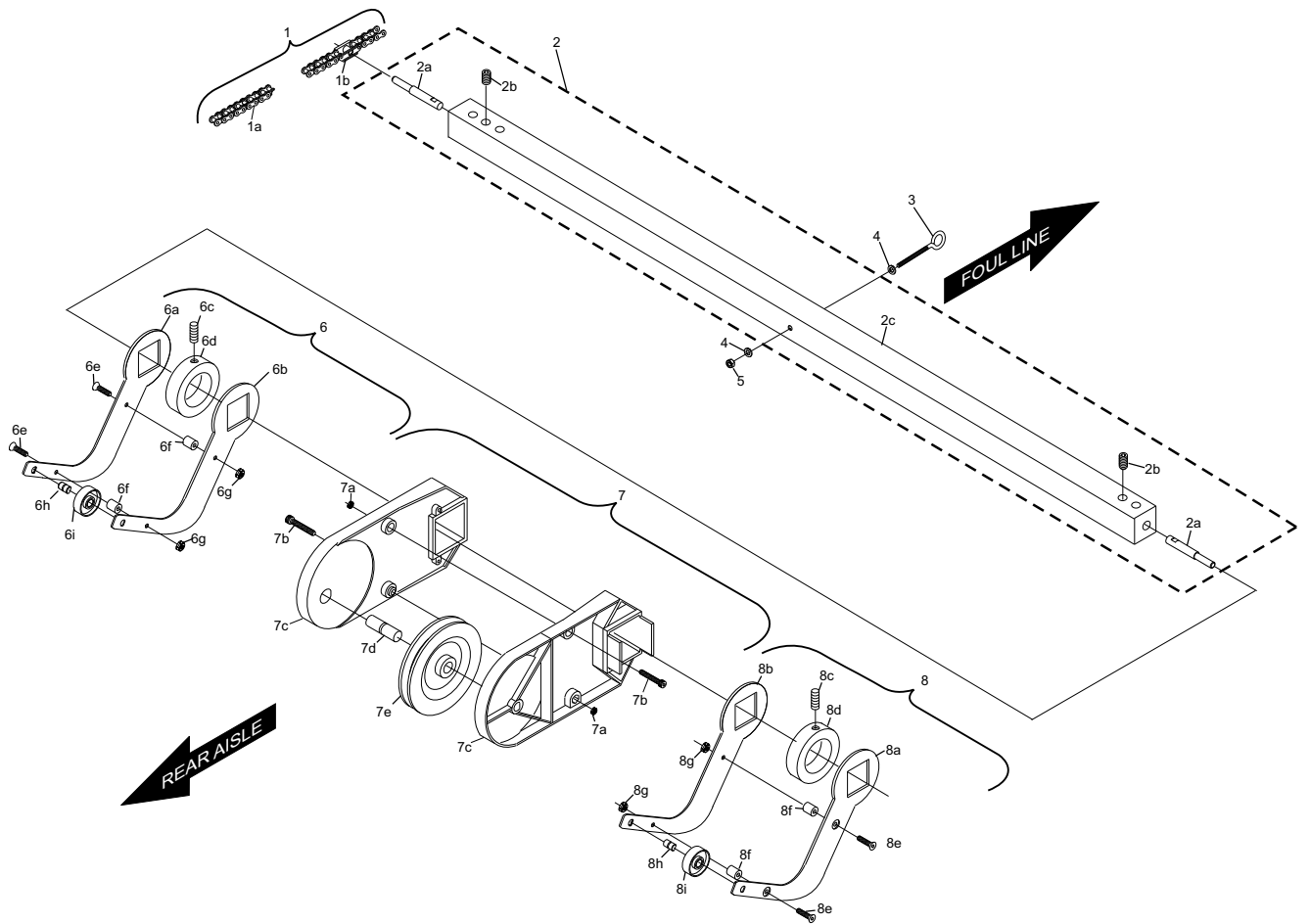
## Chain Drive Assembly



### Chain Drive Assembly

Index No.	Part No.	Package / Order Reference	Description
1.	55-060240-009		Chain Assembly Complete - includes index Nos 1a, and 1b.
	1a. 55-060714-004		Roller Chain
	1b. 55-060212-003		Special Link
2.	55-030201-009		Pull Shaft Assembly - includes index Nos 2a, 2b, and 2c.
	2a. 55-030193-004		Pin
	2b. 11-053101-001		Socket Set Screw (M6 x 8 mm)
	2c. 55-030235-003		Pull Shaft
3.	10-050010-001		Eye Bolt (M6 x 40 mm)
4.	11-052037-001		Flat Washer (M10)
5.	11-051743-001		Hex Locknut (M6)
6.	55-030205-009		Lever Assembly (Left Hand) - includes index Nos 6a, 6b, 6c, 6d, 6e, 6f, 6g, 6h, and 6i.
	6a. 55-030709-003		Lever (Left Hand)
	6b. 55-030197-003		Common Lever
	6c. 11-053105-001		Socket Set Screw (M6 x 16 mm)
	6d. 55-030195-004		Stop Collar
	6e. 11-052934-001		Socket Screw - Countersunk Flat Head
	6f. 47-051633-004		Spacer Bushing
	6g. 11-051743-001		Hex Locknut (M6)
	6h. 55-030199-004		Roller Axel
	6i. 55-030200-009		Roller
7.	55-030202-009		Return Lever Housing Assembly - includes index Nos. 7a, 7b, 7c, 7d, and 7e.
	7a. 11-051742-001		Hex Locknut (M5)
	7b. 11-051542-001		Socket Head Cap Screw (M5 x 25 mm)
	7c. 55-030196-003		Return Lever Housing
	7d. 55-030404-004		String Pulley Axel
	7e. 55-030408-009		String Idler Pulley
8.	55-030204-009		Lever Assembly (Right Hand) - includes index Nos. 8a, 8b, 8c, 8d, 8e, 8f, 8g, 8h, and 8i.
	8a. 55-030708-003		Lever (Right Hand)
	8b. 55-030197-003		Common Lever
	8c. 11-053105-001		Socket Set Screw (M6 x 16 mm)
	8d. 55-030195-004		Stop Collar
	8e. 11-052934-001		Socket Screw - Countersunk Flat Head
	8f. 47-051633-004		Spacer Bushing
	8g. 11-051743-001		Hex Locknut (M6)
	8h. 55-030199-004		Roller Axel
	8i. 55-030200-009		Roller

## String Wagon Assembly

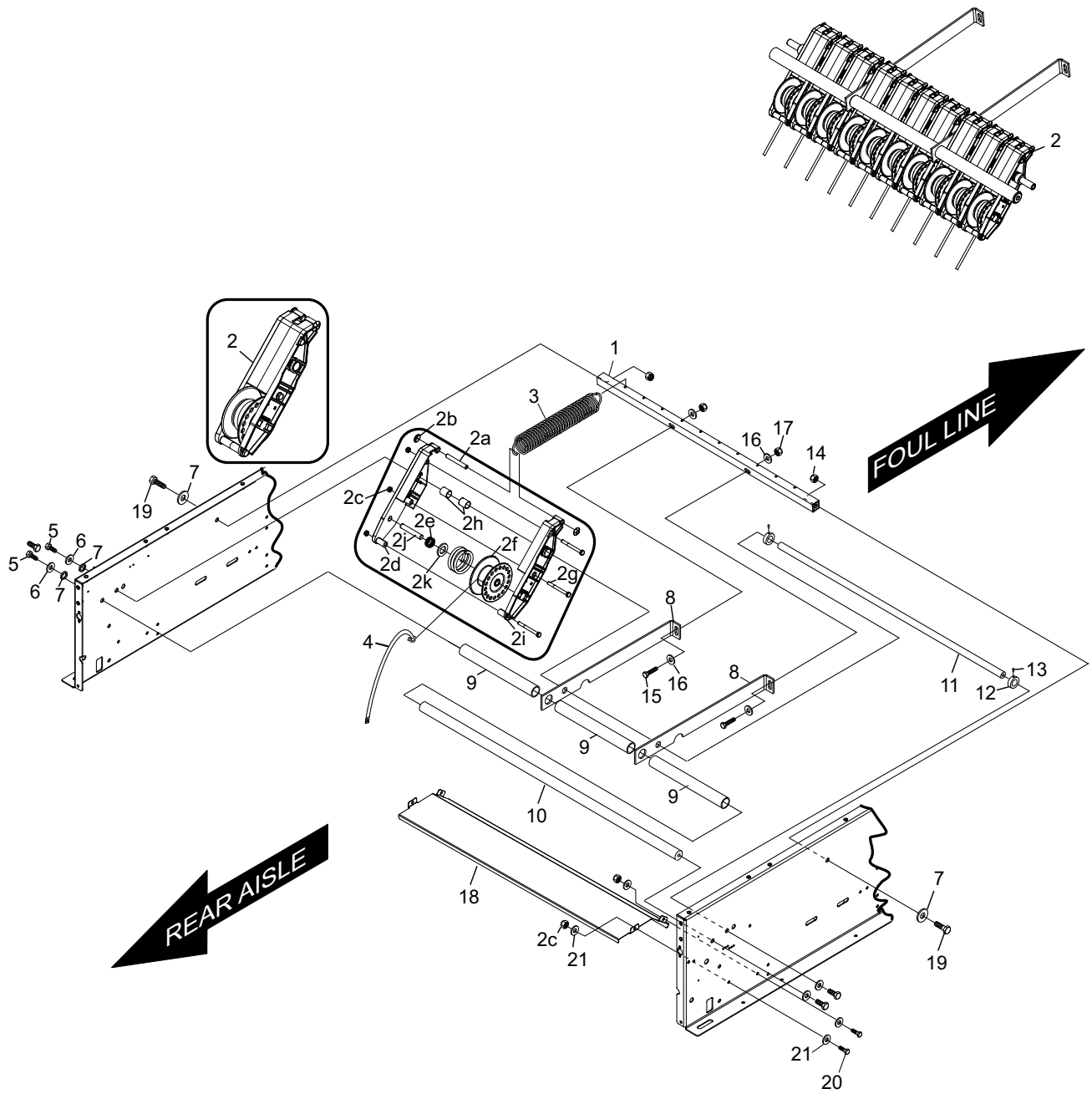


## String Wagon Assembly

Index No.	Part No.	Package / Order Reference	Description
1.	55-059149-000		"L" Profile for Spring Support
2.	55-059355-009		String Lever Reel Assembly - includes index Nos. 2a, 2b, 2c, 2d, 2e, 2f, 2g, 2h, 2j, and 2k.
2a.	55-050639-004		Spring Hook
2b.	11-053478-001	47-861050-000	Speed Nut (Quicklock M8), Pkg Qty - 10
2c.	11-051743-001		Hex Lock Nut (M6)
2d.	55-050621-003		Reel Support Bracket (left-hand)
2e.	55-050634-004		Spring For Lever Reel
2f.	55-050633-003		Reel
2g.	11-051083-001		Screw (M6 x 60 mm)
2h.	55-078026-000		Bearing
2i.	55-050622-003		Reel Support Bracket (right-hand)
2j.	55-050637-004		Reel Shaft
2k.	11-052027-001		Flat Washer (17 mm x 30 mm x 3 mm)
3.	55-050712-004		Tension Spring
4.	75-110012-001	*75-110012-009	String (5 m) - black
5.	11-051005-001		Hex Head Cap Screw (M10 x 20 mm)
6.	11-051771-001		Lockwasher (M10 x 18 mm x 2.2 mm)
7.	11-052018-001		Flat Washer (M10 x 20 mm x 2 mm)
8.	55-050607-003		Support Arm
9.	55-050994-004		Rod Support Cover
10.	55-050375-004		Reel Support Rod
11.	55-058047-000		String Lever Shaft
12.	11-053616-001		Stop Collar
13.	11-053104-000	47-861023-001	Set Screw (M6 x 6 mm), Pkg Qty - 20)
14.	11-051745-001		Hex Lock Nut (M10)
15.	11-051015-001		Hex Head Cap Screw (M8 x 25 mm)
16.	11-052003-001		Flat Washer (M8 x 16 mm x 1.6 mm)
17.	11-051744-001		Hex Lock Nut (M8)
18.	55-019156-000		Pan
19.	11-051019-001		Hex Head Cap Screw (M10 x 25 mm)
20.	11-051035-001		Hex Head cap Screw (M6 x 16 mm)
21.	11-052008-001		Flat Washer
22.	55-059150-009		String Lever Assembly

*\* 50 Meter Roll of String*

## String Lever Assembly

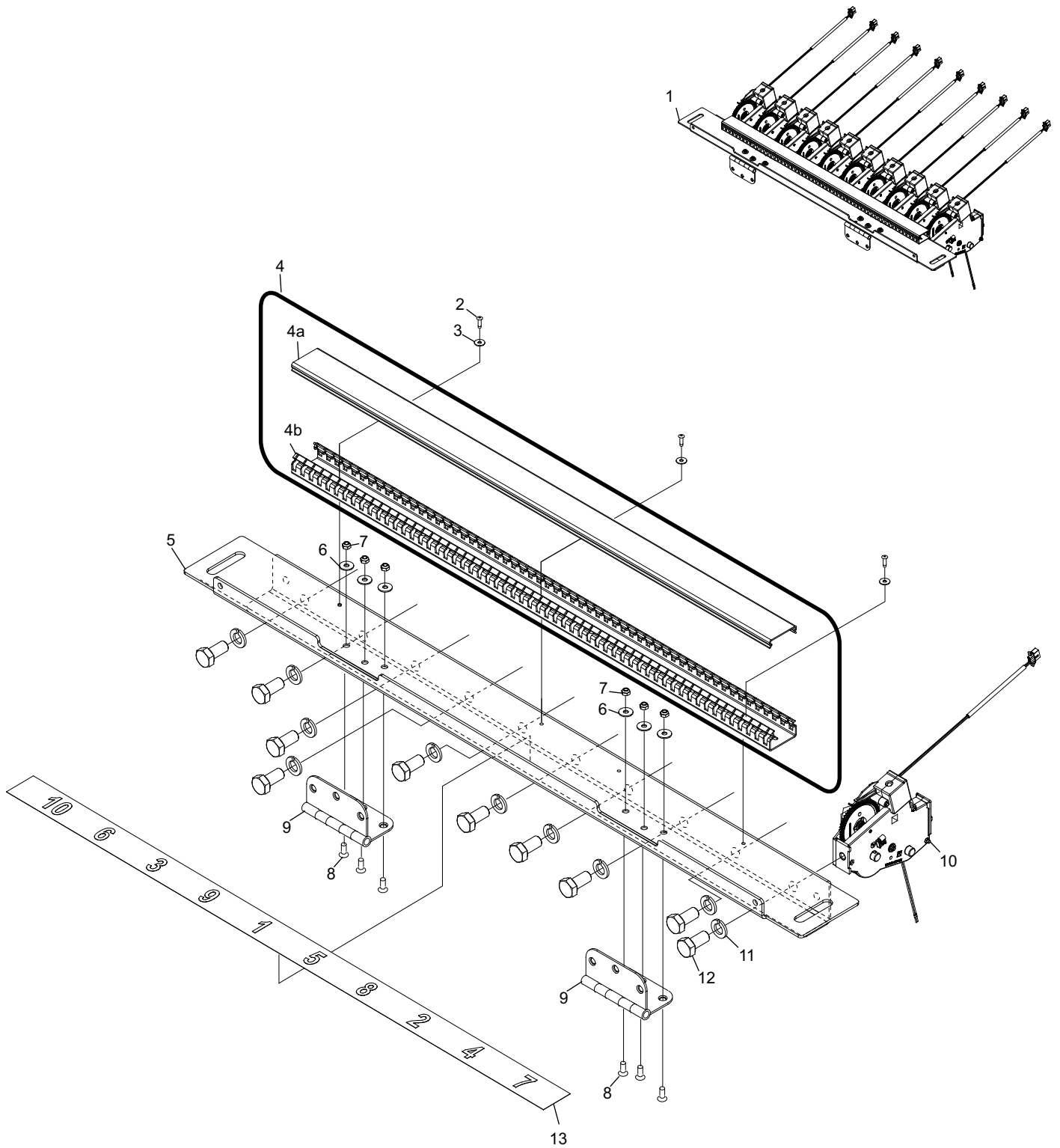


### String Lever Assembly

<b>Index No.</b>	<b>Part No.</b>	<b>Package / Order Reference</b>	<b>Description</b>
1.	55-019142-009		Assembly - PMI Unit
2.	11-054601-000		Rivet
3.	11-052062-000		Flat Washer
4.	55-019141-009		Cable Channel
	4a.55-149130-200		Channel Top
	4b.55-149130-100		Channel
5.	55-019143-000		Rear Cross Support
6.	11-052039-000		Flat Washer
7.	11-051742-001		Hex Locknut
8.	11-052947-000		Flat Head Screw
9.	11-077000-001		Hinge
10.	55-040426-009		Pin Motion Interface Assembly

## Pin Motion Interface (PMI)

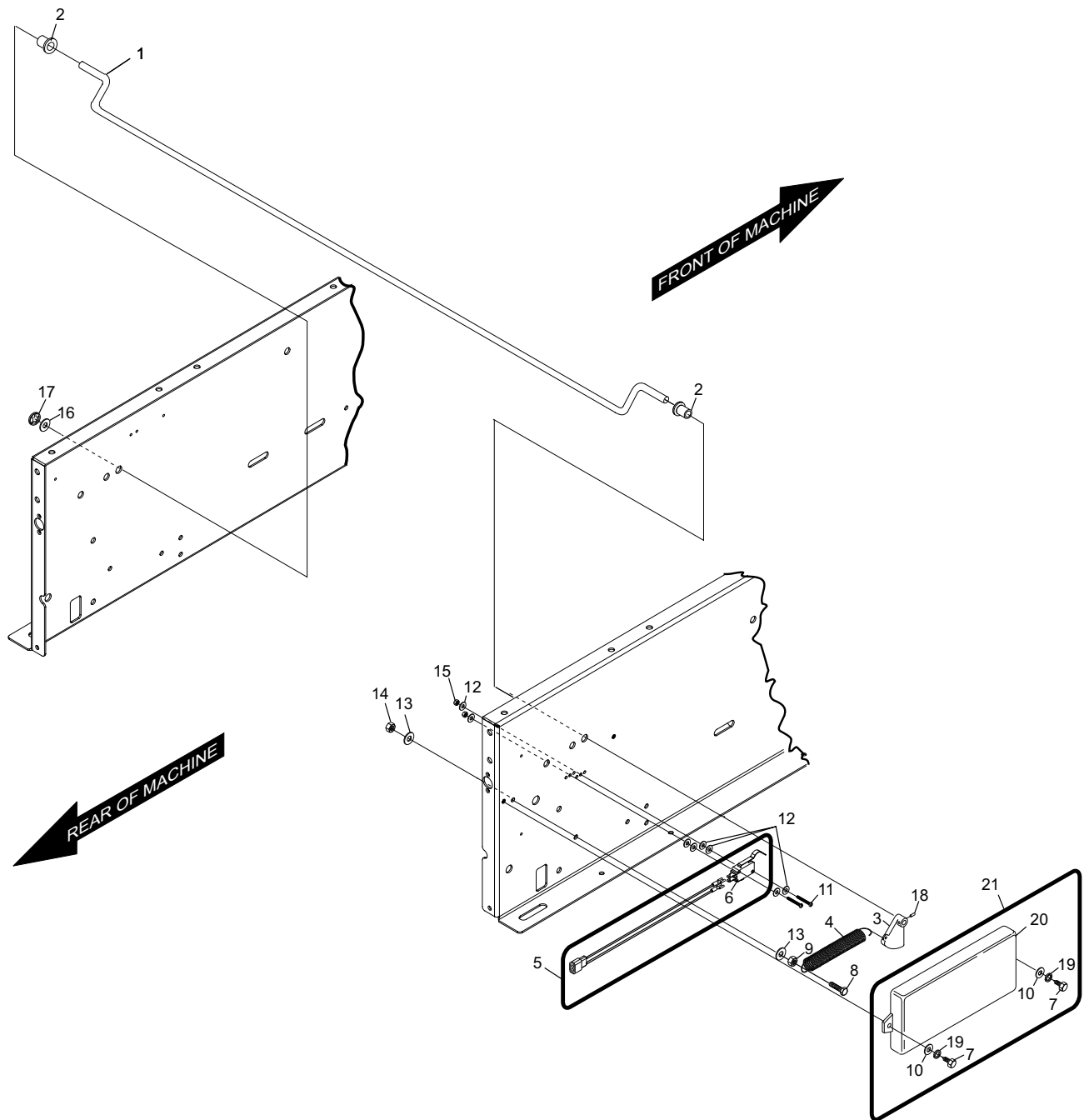




## Pin Motion Interface (PMI)

<b>Index No.</b>	<b>Part No.</b>	<b>Package / Order Reference</b>	<b>Description</b>
1.	55-050638-004		Pivot Rod
2.	47-075435-004		Nylon Bushing
3.	55-050613-004		Clutch Jam Cam
4.	55-050636-004		Clutch Spring
5.	55-143049-000		Jam Switch w/Cable Assembly
6.	99-050325-004		Jam Switch
7.	11-051069-001		Screw Hex Cap (M5 x 12 mm)
8.	11-051028-000		Hex Hd. Cap Screw (M6 x 25 mm)
9.	11-051702-001		Hex Nut (M6)
10.	11-052020-001		Flat Washer (5.3 mm x 12 mm x 1 mm)
11.	11-052214-001		Machine Screw (M3 x 20 mm)
12.	11-052058-000		Flat Washer (3.2 mm x 9 mm x .8 mm)
13.	11-052008-001		Flat Washer (6.4 mm x 12 mm x 1.6 mm)
14.	11-051743-001		Self Locking Hex Nut (M6)
15.	11-051746-001		Self Locking Hex Nut (M3)
16.	11-052003-001		Flat Washer (8.4 mm x 16 mm x 1.6 mm)
17.	11-053478-001	47-861050-000	Speed Nut (Quick Lock #17), Pkg. Qty. - 10
18.	11-052681-001		Spring Pin (3 mm x 16 mm)
19.	11-051768-001		Lock Washer
20.	55-069151-000		Clutch Cover (Black)
21.	55-059151-009		Clutch Cover Assembly (Black)

## Pin Tangle Mechanism



## Pin Tangle Mechanism

Intentionally Blank Page

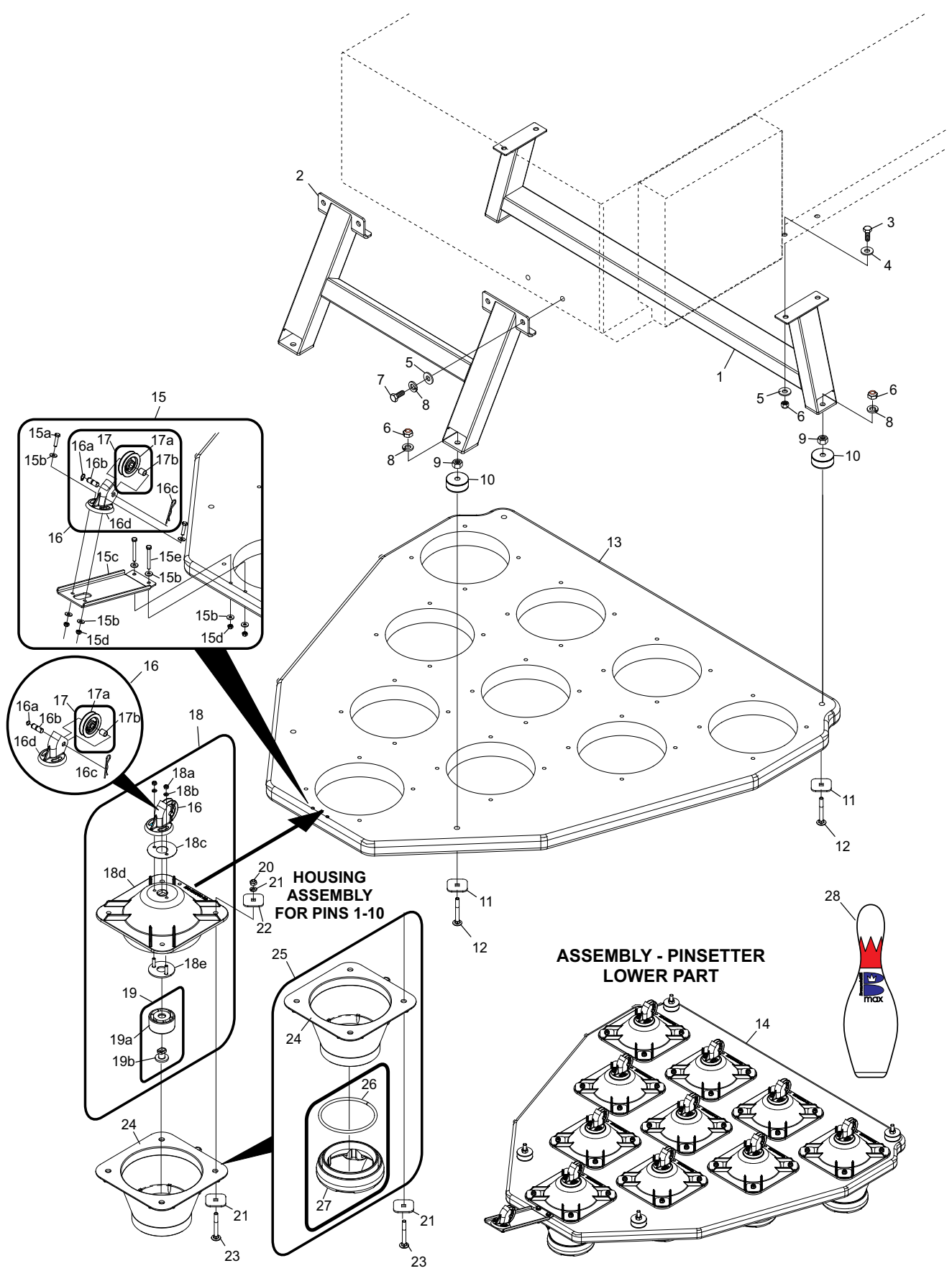
**Section E**

**Pin Setting Platform**

**SECTION REVISION DATE**  
*APRIL 2024*

<b>Index No.</b>	<b>Part No.</b>	<b>Package / Order Reference</b>	<b>Description</b>
1.	55-089161-000		Rear Support Frame
2.	55-089162-000		Front Support Frame
3.	11-051015-000		Hex Head Cap Screw
4.	11-052028-001		Flat Washer (M10)
5.	11-052018-000		Flat Washer
6.	11-051745-001		Locknut (M10)
7.	11-051019-001		Screw Hex. Cap. (M10 x 25 mm)
8.	11-051771-001		Lock Washer
9.	11-051703-000		Hex Nut (M10)
10.	55-080383-004		Rubber Bumper
11.	55-082608-000		Square Washer
12.	11-052616-000		Carriage Bolt (M6 x 80 mm)
13.	55-089163-000		Setting Platform
14.	55-279119-009		Assembly - Pinsetter Lower Part
15.	55-279253-009		Front Pulley Assembly
	15a. 11-051028-000		Hex Head Cap Screw
	15b. 11-052048-000		Flat Washer
	15c. 55-279206-000		String Pulley Holder
	15d. 11-051743-001		Locknut
	15e. 11-051023-000		Hex Head Cap Screw (M6 x 55 mm)
16.	11-089400-009		Pulley Assembly
	16a. 11-151855-000		External Retaining Ring
	16b. 55-082031-004		Shaft
	16c. 11-054300-000		Cotter Pin
	16d. 55-089400-000		String Pulley Housing
17.	55-030408-009		Pulley
	17a. 55-030408-004		Pulley - only
	17b. 55-078141-000		Bearing
18.	55-082085-009		Upper Centering Guide Housing Assembly (All Pins)
	18a. 11-051743-001		Locknut
	18b. 11-052048-000		Flat Washer
	18c. 55-082281-004		Pin Head Nut Plate
	18d. 55-082081-001		Upper Centering Guide Housing
	18e. 55-082280-004		Pin Head Mounting Plate
19.	55-088034-009		Pin Head Stop Assembly
	19a. 55-082606-004		Pin Head Stop
	19b. 55-082609-004		Pin Head Support
20.	11-051744-000		Locknut
21.	11-051770-000		Lock Washer
22.	55-082608-004		Square Washer
23.	11-052616-000		Carriage Bolt (M6 x 80 mm)
24.	55-082134-001		Lower Centering Guide
25.	55-088033-009		Lower Centering Guide Assembly
26.	55-082136-004		Centering Guide Ring
27.	55-082135-003		Centering Guide
28.	63-861169-000		Max Crown GID, Single Pin - Drilled
	63-861169-167		Max Crown GID, Set - Drilled
	63-861170-000		Max Red Crown GID, Single Pin - Drilled
	63-861170-167		Max Red Crown GID, Set - Drilled

## Boost Setting Platform Assembly - Ten Pin



**Boost Setting Platform Assembly - Ten Pin**

Intentionally Blank Page



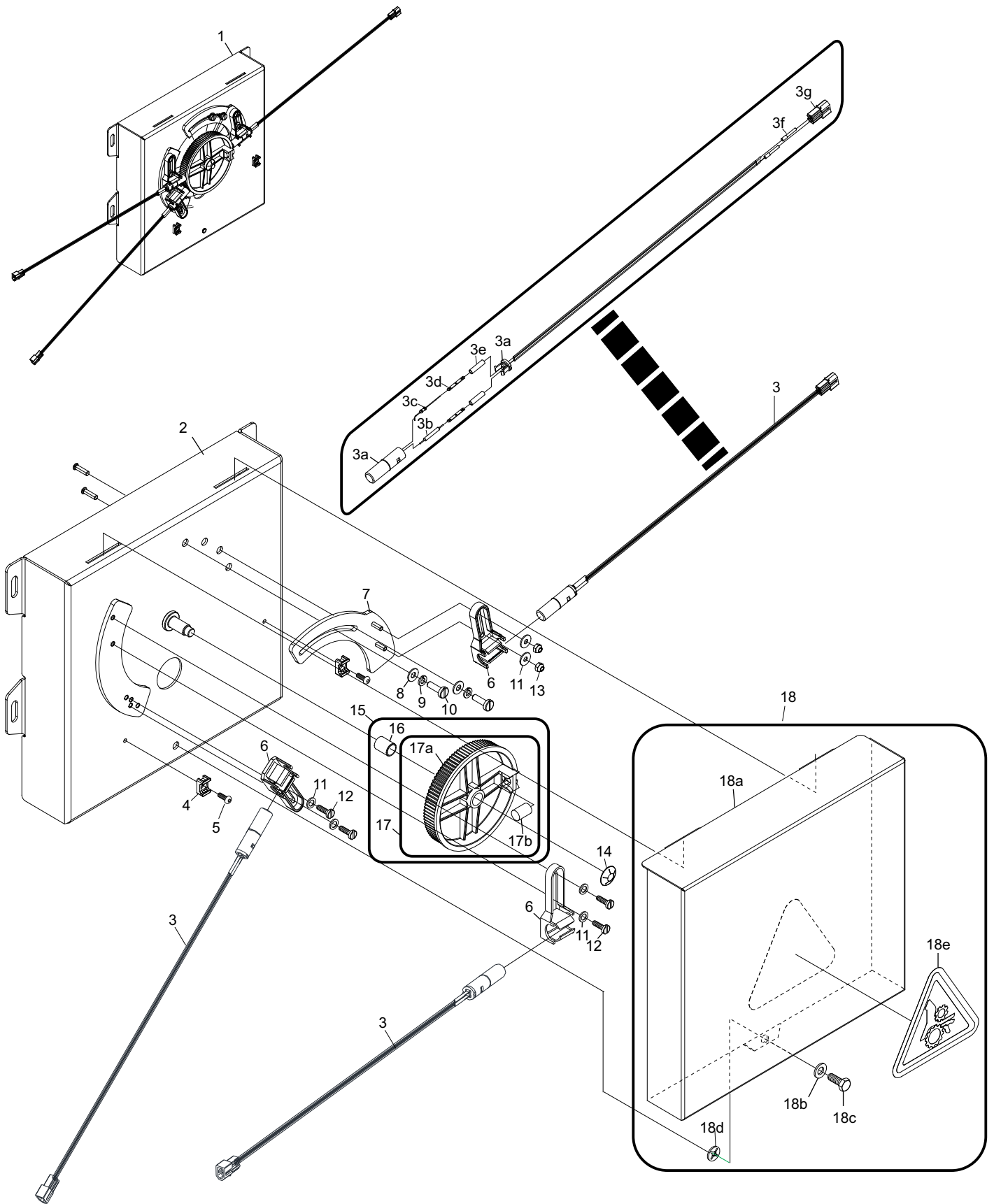
**Section F**

**Electronics**

**SECTION REVISION DATE**  
*APRIL 2024*

Index No.	Part No.	Package / Order Reference	Description
1.	55-079345-009		Cluster Housing Assembly
2.	55-079345-000		Cluster Housing
3.	55-143047-000		Assembly Cluster Reed Switch
3a.	99-050125-003		Housing
3b.	47-074221-004		Reed Switch
3c.	11-691121-000		Resistor
3d.	99-050183-004		Reed
3e.	47-227160-000		Heat Shrink Tubing
3f.	11-680302-000		Pin
3g.	11-680116-000		Housing
4.	99-226387-000		Cable Tie Holder
5.	11-054601-000		Pop Rivet
6.	99-050187-004		Switch Holder
7.	55-078255-000		Switch Support For Cluster
8.	11-052020--000		Flat Washer
9.	11-051768-000		Lock Washer
10.	11-052369-000		Pan Head Screw
11.	11-052021-000		Flat Washer
12.	11-052354-000		Pan Head Screw
13.	11-051741-000		Locknut
14.	11-053478-000		Speed Nut
15.	55-078216-009		Gear Assembly - includes index Nos. 16,17,17a, and 17b,
16.	55-078024-000		Bearing
17.	55-071111-009		Cluster Gear w/Magnet
17a.	55-070484-003		Gear
17b.	55-040711-004		Magnet
18.	55-079346-009		Cluster Cover Assembly
18a.	55-079346-000		Cluster Cover
18b.	11-052020-000		Flat Washer
18c.	11-051069-000		Hex Head Cap Screw
18d.	11-690553-000		Retainer
18e.	99-268200-003		Decal

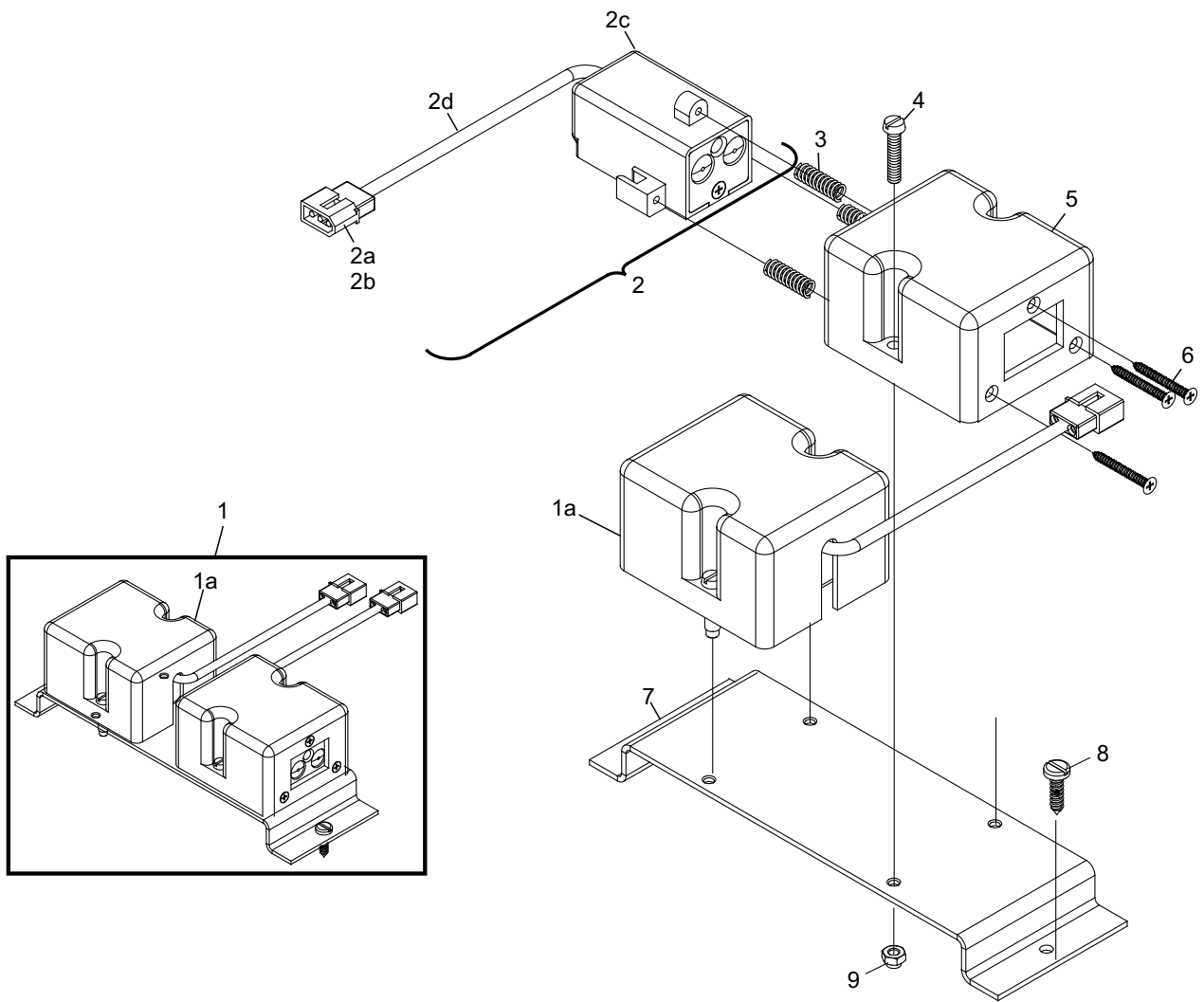
## Switch Cluster



**Switch Cluster**

<b>Index No.</b>	<b>Part No.</b>	<b>Package / Order Reference</b>	<b>Description</b>
1.	99-087141-000		Ball Detect Assembly Complete
	1a. 99-087140-000		Ball Detect Only - Single Unit
2.	99-087139-000		Ball Detect Complete
	2a. 11-680101-000		Connector Plug (Molex)
	2b. 11-680302-000		Pin (Molex)
	2c. 99-080193-004		Ball Detector Box
	2d. 99-080269-004		Cable - Ball Detector
3.	99-080180-004		Compression Spring
4.	11-052211-001		Slotted Head Machine Screw
5.	99-080186-003		Ball Detect Housing
6.	11-086307-001		Flat Head Tapping Screw
7.	99-080213-003		Support Bracket
8.	11-053203-001		Tapping Screw
9.	11-051741-001		Metric Hex Locknut

## Ball Detect



**Ball Detect**

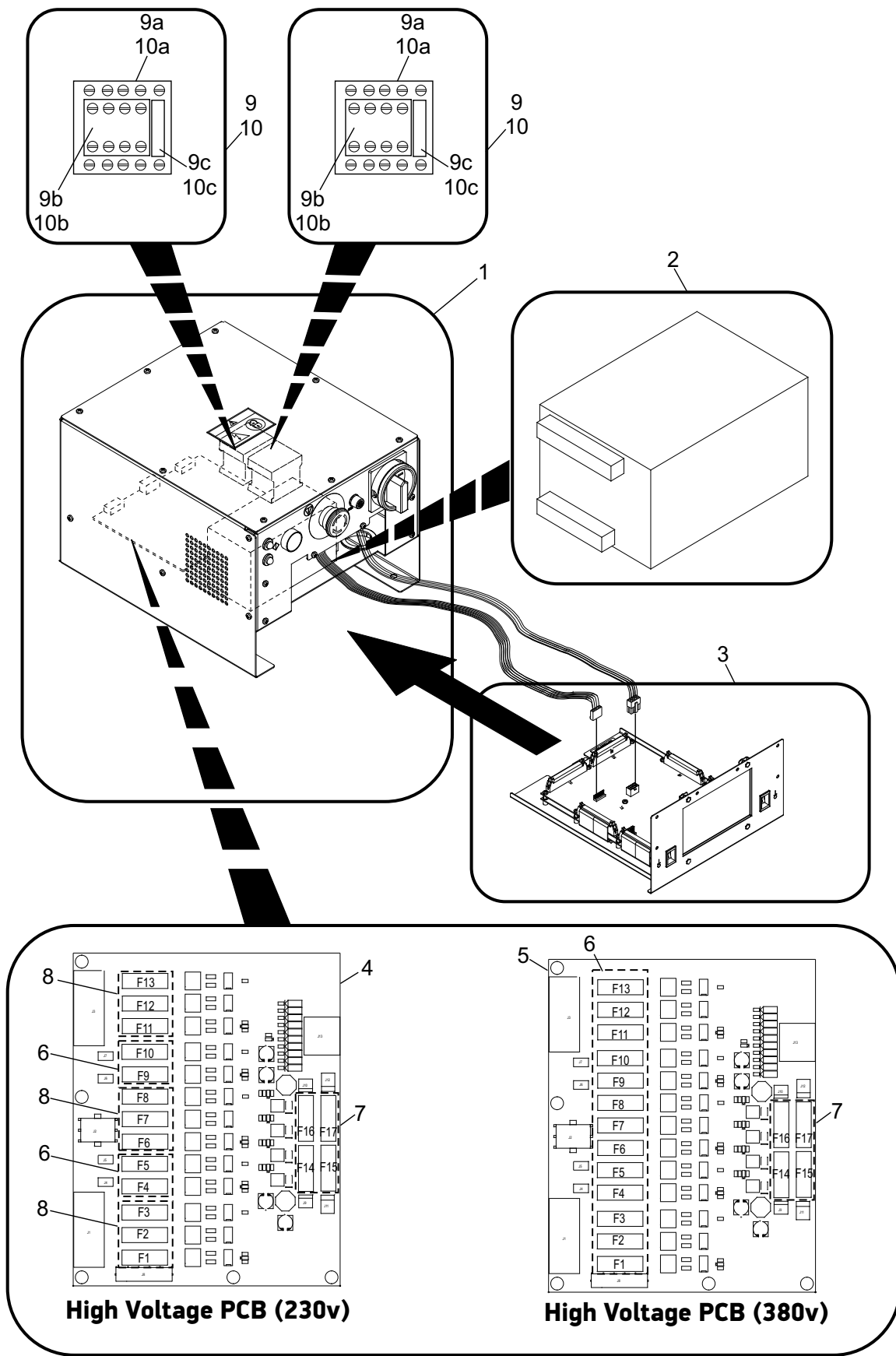
Index No.	Part No.	Package / Order Reference	Description
1.	55-143118-230	55-860075-230	Pkg. Boost 360 Controller Assembly - UL 208V/230V
	55-143118-400	55-860075-400	Pkg. Boost 360 Controller Assembly - UL 400V
2.	11-696982-000	55-860060-000	Power Supply (24V)
3.	53-143120-400	55-860076-400	Controller Slide Out
4.	55-143008-230	55-860059-230	High Voltage PCB (230V)
5.	55-143008-380	55-860059-380	High Voltage PCB (380V)
6.	11-685062-000	57-861635-000	Fuse, 2.0A, 250V Slow Blow, Pkg of 4
7.	11-685061-000		Fuse, 1.0A, 250V Slow Blow, Pkg of 4
8.	11-685067-000	57-861874-000	Fuse, 3.0A, 250V Slow Blow, Pkg of 4
*9.	55-860070-000	55-860070-000	WEG Contactor Kit, Contains Items 9a, 9b, and 9c
9a.	11-671007-000	N/A	WEG Contactor - 12A IEC, 24V DC
9b.	11-671008-000	N/A	WEG Contactor Block - Auxiliary, 24V DC
9c.	11-671009-000	N/A	WEG Surge Suppressor - 24VDC, Contactor
**10.	55-860070-100	55-860070-100	Lovato Contactor Kit, Contains Items 10a, 10b, and 10c
10a.	11-671007-100	N/A	Lovato Contactor - 12A IEC, 24V DC
10b.	11-671008-100	N/A	Lovato Contactor Block - Auxiliary, 24V DC
10c.	11-671009-100	N/A	Lovato Surge Suppressor - 24VDC, Contactor

\* Available as a kit only.

\*\* Alternative kit only. Order the preferred WEG Contactor Kit (Index 9). Lovato Contactor Kit (Index 10) is available as a contingent substitute for WEG Contactor Kit (Index 9).

Individual items 9a, 9b, and 9c are not interchangeable with items 10a, 10b, and 10c.

## Boost 360 Controller



**Boost 360 Controller**

Intentionally Blank Page



## **Section G**

# **Cabling**

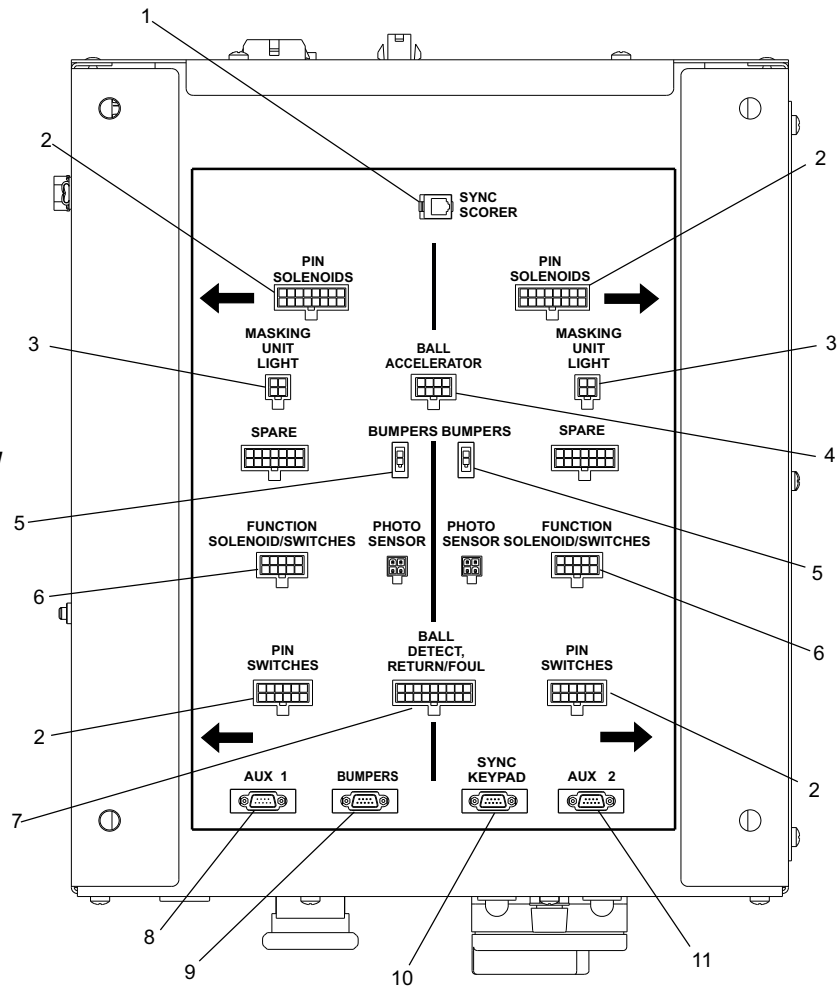
**SECTION REVISION DATE**

*APRIL 2024*

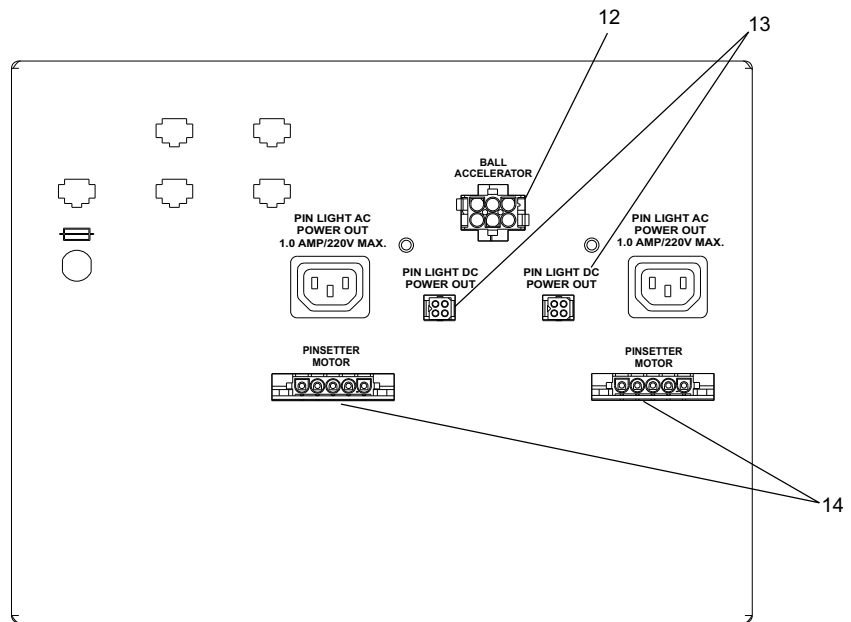
Index No.	Part No.	Package / Order Reference	Description
1.	57-863583-050		Ethernet Cable, Bulk - 500' (152.4 M)
	57-863500-000		Ethernet Connectors for Bulk Cable (Qty 3)
2.	55-143157-000		PMI Cable Harness Assembly - Boost
3.	55-143015-000		1st/2nd Ball LED Lights Masking Unit Cable Assembly
4.	55-143181-000		Ball Door Control Cable - Boost ST, Single/ Lane Pair
	55-143182-000		Ball Door Control Cable - Boost ST, Separated Pair
5.	55-143148-000		AMF Bumper Cable Assembly
6.	55-143158-000		Switch Cluster Cable Assembly, Boost
	55-143158-200		Switch Cluster Cable Assembly, Boost - Extension
7.	55-143161-000		Brunswick Foul / Ball Detect / Ball Lift Cable Assembly
	55-143172-000		AMF Foul / Ball Detect / Ball Lift Cable Assembly
8.	57-501385-000		Peripheral Controller to 360 Controller Cable - 25 FT.
	57-501385-033		Peripheral Controller to 360 Controller Cable - 33 FT.
	57-501385-045		Peripheral Controller to 360 Controller Cable - 45 FT.
9.	57-501384-000		360 Controller to PBW Bumper Controller Assembly
10.	57-500399-000		Sync Keypad Cable Assembly
11.	53-520516-000		IntelliFoul / Intellishield Cable Assembly
12.	55-143173-000		Ball Accelerator Motor Cable Assembly
13.	55-143069-000		Pin Light DC Power Cable Assembly
	57-501549-000		Nitro 2-Color Pinlight Cable Assembly
	57-501654-000		Nitro Multi-Color Pinlight Cable Assembly
14.	55-143164-000		Pinsetter Motor Power Cable Assembly - Boost

## Boost 360 Controller Cabling

**BOTTOM VIEW**



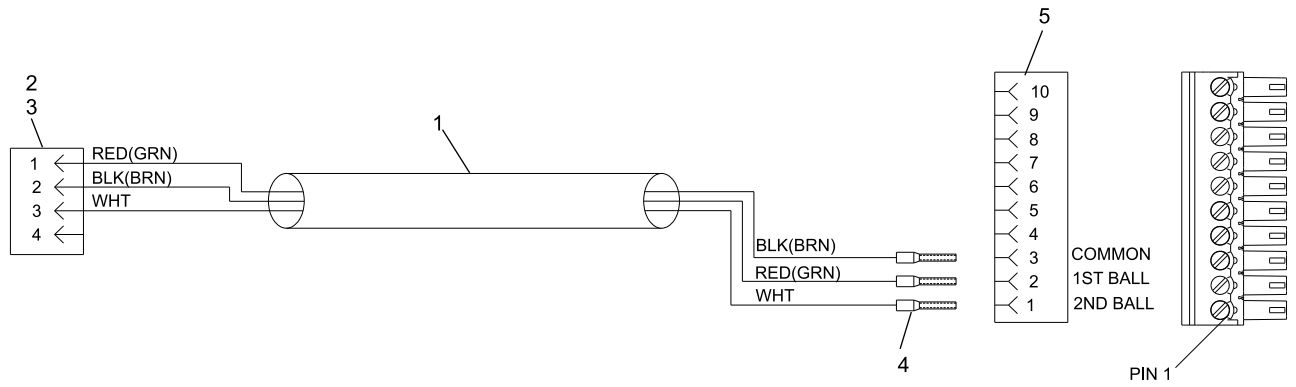
**BACK VIEW**



**Boost 360 Controller Cabling**

<b>Index No.</b>	<b>Part No.</b>	<b>Package / Order Reference</b>	<b>Description</b>
1.	55-143015-000		1st/2nd Ball LED Lights Masking Unit Cable Assembly
2.	11-692091-000		Terminal (Mini-Fit Jr. - Female)
3.	11-692304-000		Connector Housing (4 Position Mini-Fit Jr.)
4.	11-680831-000		Ferrule
5.	11-697996-000		Connector Housing (10 Position)

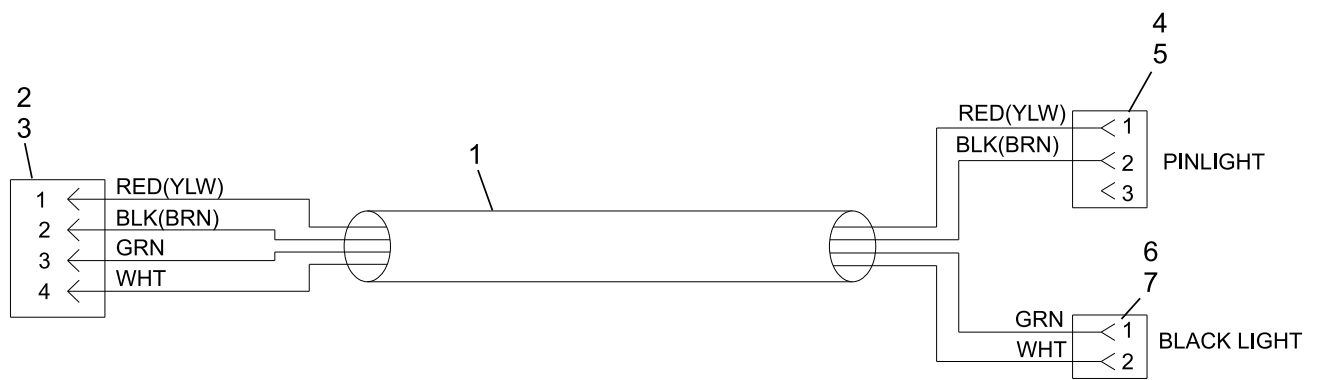
**1st and 2nd Ball LED lights Cable Assembly  
55-143015-000**



**1st and 2nd Ball LED lights Cable Assembly  
55-143015-000**

<b>Index No.</b>	<b>Part No.</b>	<b>Package / Order Reference</b>	<b>Description</b>
1.	55-143069-000		String Pinsetter DC Pinlight Cable Assembly
2.	11-680019-000		Connector Housing (2 Position Plug .062)
3.	11-680302-000	57-860032-000	Terminal (.062 Male), Pkg Qty - 10
4.	11-697237-000		Connector Housing (3 Position .100kk)
5.	11-680326-000		Terminal (.100kk)
6.	11-697204-000		Connector Housing (2 Position.156kk)
7.	11-680322-000		Terminal (.156kk)

**Pinlight DC Power Cable Assembly  
55-143069-000**

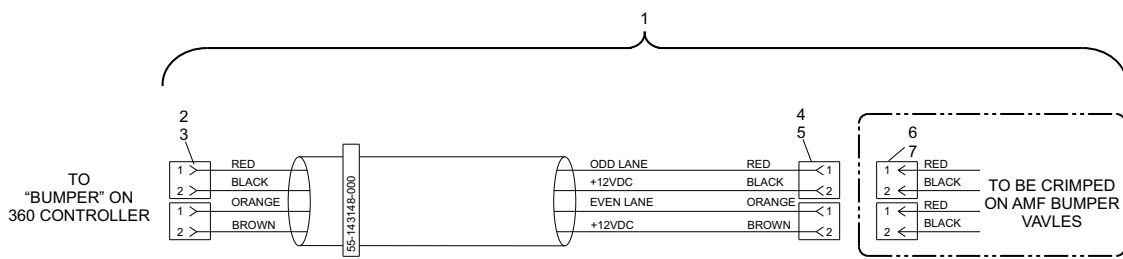


**Pinlight DC Power Cable Assembly  
55-143069-000**

<b>Index No.</b>	<b>Part No.</b>	<b>Package / Order Reference</b>	<b>Description</b>
1.	55-143148-000		AMF Bumper Cable
2.	11-692302-000		Connector (2 Position Receptacle Mini-Fit Jr.)
3.	11-692091-000		Terminal (Mini-Fit Jr. - Socket)
4.	11-680301-000		Terminal (.062 Female)
5.	11-680216-000		Connector (2 Position Receptacle .062)
6.	11-680302-000		Terminal (.062 Male)
7.	11-680116-000		Connector (2 Position Plug .062)

**AMF Bumper Cable Assembly  
55-143148-000**

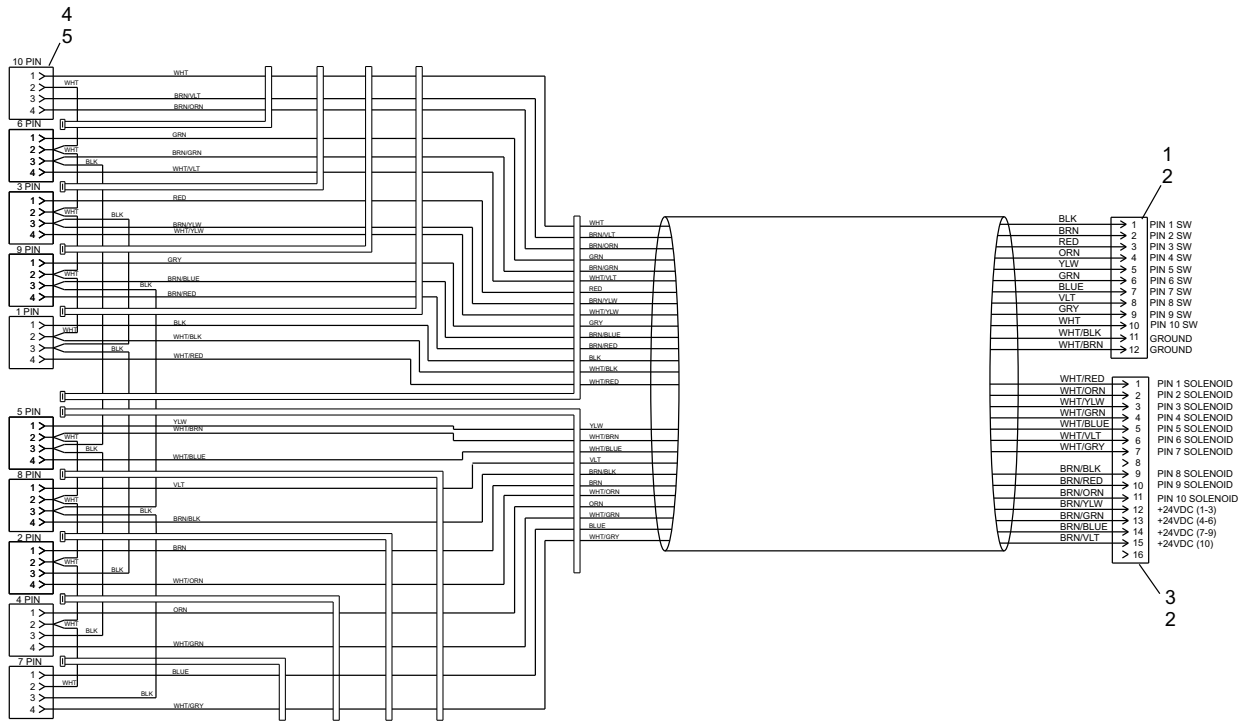




**AMF Bumper Cable Assembly  
55-143148-000**

<b>Index No.</b>	<b>Part No.</b>	<b>Package / Order Reference</b>	<b>Description</b>
1.	11-692212-000		Connector Housing (12 Position Mini-Fit Jr.)
2.	11-692090-000		Terminal (Mini-Fit Jr. - Male)
3.	11-692005-000		Connector Housing (16 Position Mini-Fit Jr.)
4.	11-680301-000		Terminal (.062 Female)
5.	11-680205-000		Connector Housing (4 Position .062)

**Boost PMI Cable Assembly  
55-143157-000**



**Boost PMI Cable Assembly**  
**55-143157-000**

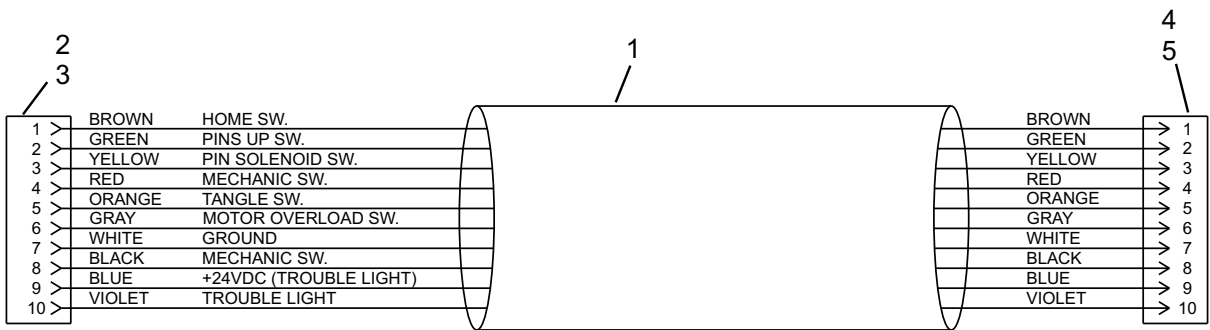
<b>Index No.</b>	<b>Part No.</b>	<b>Package / Order Reference</b>	<b>Description</b>
1.	55-143158-000		Boost Switch Cluster Cable Assembly
2.	11-692309-000		Connector Housing (10 Position Mini-Fit Jr.)
3.	11-692091-000		Terminal, 18-24 AWG (Mini-Fit Jr. - Female)
	11-692092-000		Terminal, 16 AWG (Mini-Fit Jr. - Female)
4.	11-680216-000		Connector Housing (2 Position .062)
5.	11-680301-000		Terminal, 18-24 AWG (.062 Female)

**Switch Cluster Cable Assembly  
55-143158-000**



<b>Index No.</b>	<b>Part No.</b>	<b>Package / Order Reference</b>	<b>Description</b>
1.	55-143158-200		String Pinsetter Switch Cluster EXT Cable Assembly
2.	11-692309-000		Connector Housing (10 Position Mini-Fit Jr. Receptacle)
3.	11-692091-000		Terminal (Mini-Fit Jr. - Female)
4.	11-692210-000		Connector Housing (10 Position Mini-Fit Jr. Plug)
5.	11-692090-000		Terminal (Mini-Fit Jr. - Male)

**Boost Pinsetter Switch Cluster Extension Cable Assembly  
55-143158-200**

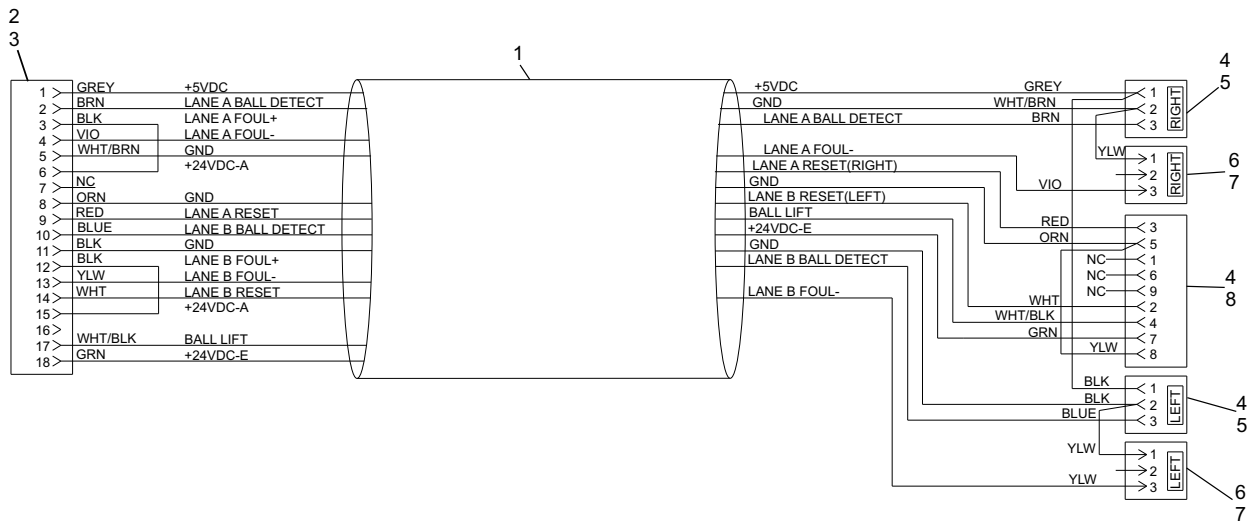


**Boost Pinsetter Switch Cluster Extension Cable Assembly  
55-143158-200**

<b>Index No.</b>	<b>Part No.</b>	<b>Package / Order Reference</b>	<b>Description</b>
1.	55-143161-000		Brunswick Foul Unit/ Ball Detect/ Ball Lift Cable
2.	11-692091-000		Terminal (Mini-Fit Jr. - Female)
3.	11-692318-000		Connector Housing (18 Position Mini-Fit Jr.)
4.	11-680301-000		Terminal (.062 Female)
5.	11-680201-000		Connector Housing (3 Position .062 Receptacle)
6.	11-680302-000		Terminal - (.062 Male)
7.	11-680101-000		Connector Housing (3 Position .062 Plug)
8.	11-680204-000		Connector Housing (9 Position .062 Receptacle)

**Brunswick Foul/Ball Lift/ Ball Detect Cable Assembly  
55-143161-000**

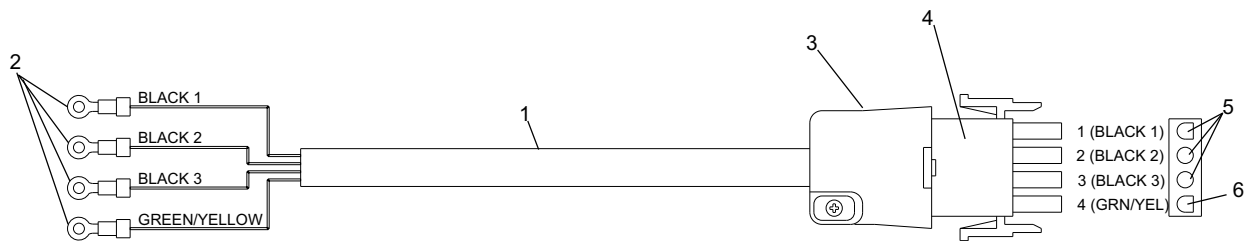




**Brunswick Foul/Ball Lift/ Ball Detect Cable Assembly  
55-143161-000**

<b>Index No.</b>	<b>Part No.</b>	<b>Package / Order Reference</b>	<b>Description</b>
1.	55-143164-000		Boost Pinsetter Motor Cable Assembly
2.	11-612010-000		Terminal - #8 Stud
3.	11-696721-000		Cover Strain Relief - 4 Position
4.	11-696703-000		Plug - 4 Position, Mate-N-Lok
5.	11-696736-000		Terminal - Pin, Mate-N-Lok
6.	11-696735-000		Terminal - Pin, Mate-N-Lok, GND

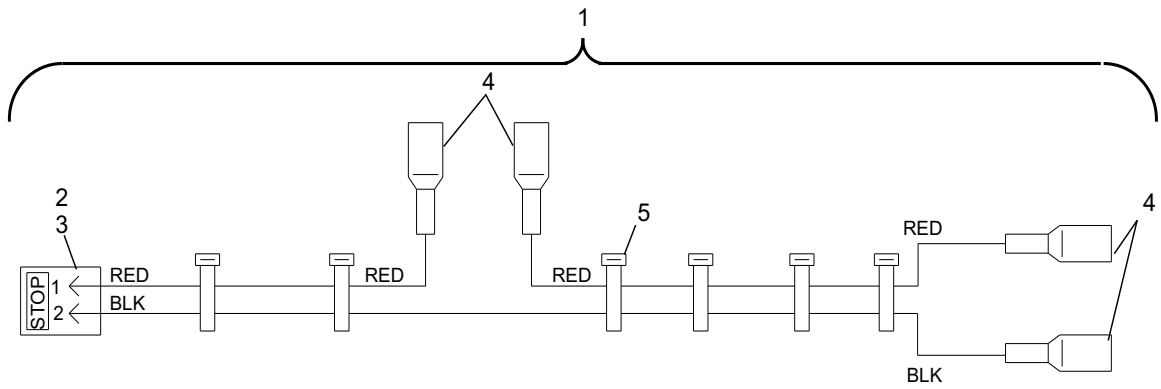
**Pinsetter Motor Cable Assembly  
55-143164-000**



**Pinsetter Motor Cable Assembly**  
**55-143164-000**

<b>Index No.</b>	<b>Part No.</b>	<b>Package / Order Reference</b>	<b>Description</b>
1.	55-143017-000		String Pinsetter Mechanic's Stop Switch Cable Assembly
2.	11-680116-000		Connector Housing (2 Position .062 Plug)
3.	11-680302-000		Terminal - (.062 Male)
4.	11-612152-000		Terminal - Faston
5.	11-603115-000		Wire Tie - 4"

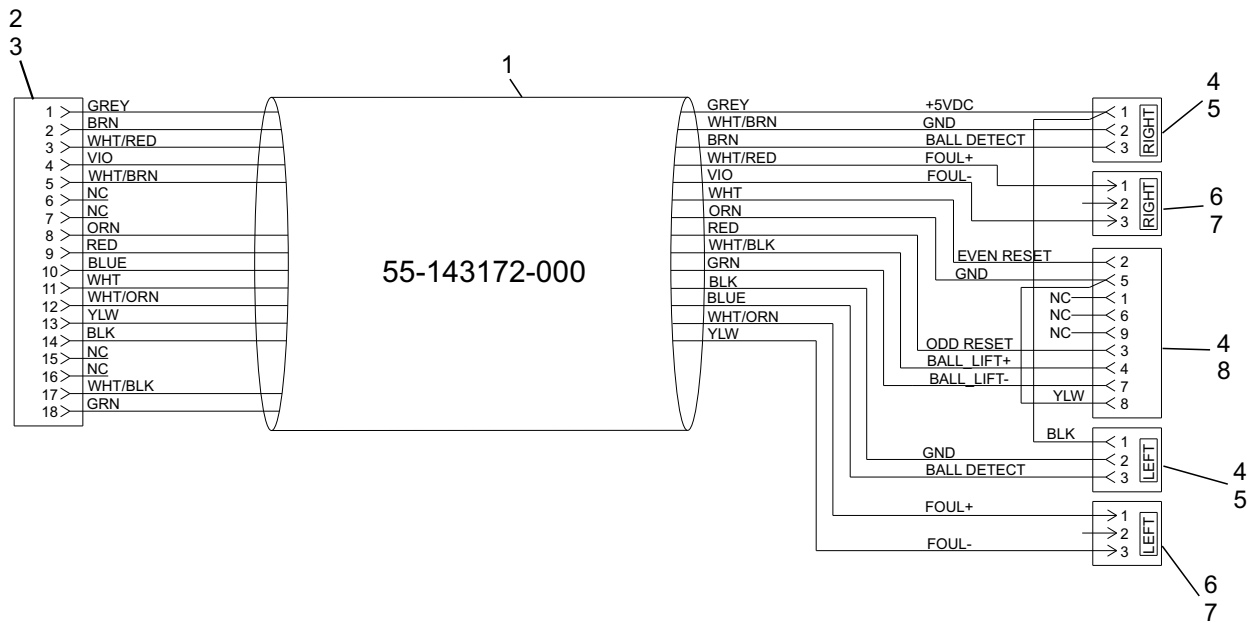
**Boost Pinsetter Mechanic's Stop Switch Cable Assembly  
55-143165-000**



**Boost Pinsetter Mechanic's Stop Switch Cable Assembly  
55-143165-000**

<b>Index No.</b>	<b>Part No.</b>	<b>Package / Order Reference</b>	<b>Description</b>
1.	55-143172-000		Brunswick Foul Unit/ Ball Detect/ Ball Lift Cable
2.	11-692091-000		Terminal (Mini-Fit Jr. - Female)
3.	11-692318-000		Connector Housing (18 Position Mini-Fit Jr.)
4.	11-680301-000		Terminal (.062 Female)
5.	11-680201-000		Connector Housing (3 Position .062 Receptacle)
6.	11-680302-000		Terminal - (.062 Male)
7.	11-680101-000		Connector Housing (3 Position .062 Plug)
8.	11-680204-000		Connector Housing (9 Position .062 Receptacle)

**AMF Foul/Ball Lift/ Ball Detect Cable Assembly  
55-143172-000**

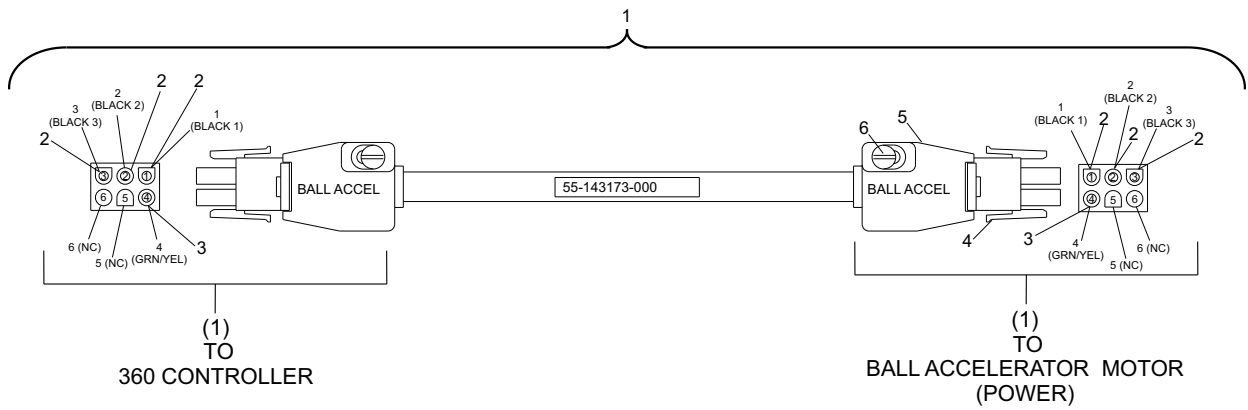


**AMF Foul/Ball Lift/ Ball Detect Cable Assembly**  
**55-143172-000**

<b>Index No.</b>	<b>Part No.</b>	<b>Package / Order Reference</b>	<b>Description</b>
1.	55-143173-000		Ball Accelerator Cable
2.	11-696736-000		Terminal - Pin, Mate-N-Lok
3.	11-696735-000		Terminal - Pin, Mate-N-Lok, GND
4.	11-696704-000		Plug - 6 Position, Mate-N-Lok
5.	99-240423-004		Connector Cover- 6 Position Mate-N-Lok
6.	11-053208-001		Screw - M3.5 x 16mm

**Ball Accelerator Motor Cable Assembly  
55-143173-000**

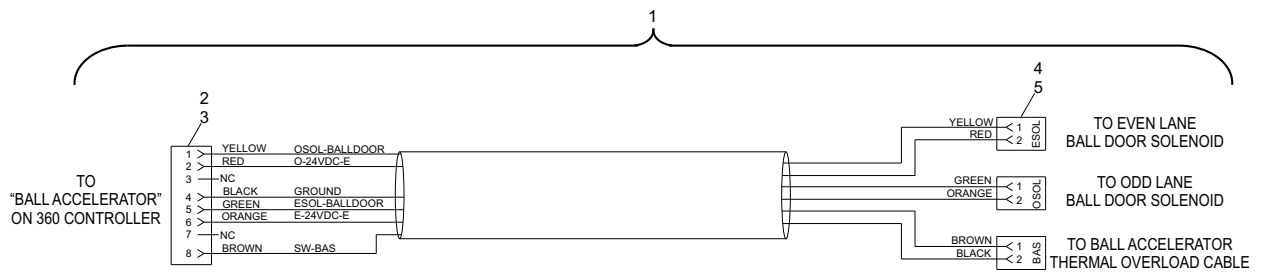




**Ball Accelerator Motor Cable Assembly  
55-143173-000**

<b>Index No.</b>	<b>Part No.</b>	<b>Package / Order Reference</b>	<b>Description</b>
1.	55-143181-000		Ball Door Control Cable - Boost ST Single/Lane Pair
2.	11-692308-000		Connector Receptacle (8 Position Mini-Fit Jr.)
3.	11-692091-000		Terminal (Mini-Fit Jr. - Female)
4.	11-680216-000		Connector Housing (2 Position .062 Receptacle)
5.	11-680301-000		Terminal (.062 Female)

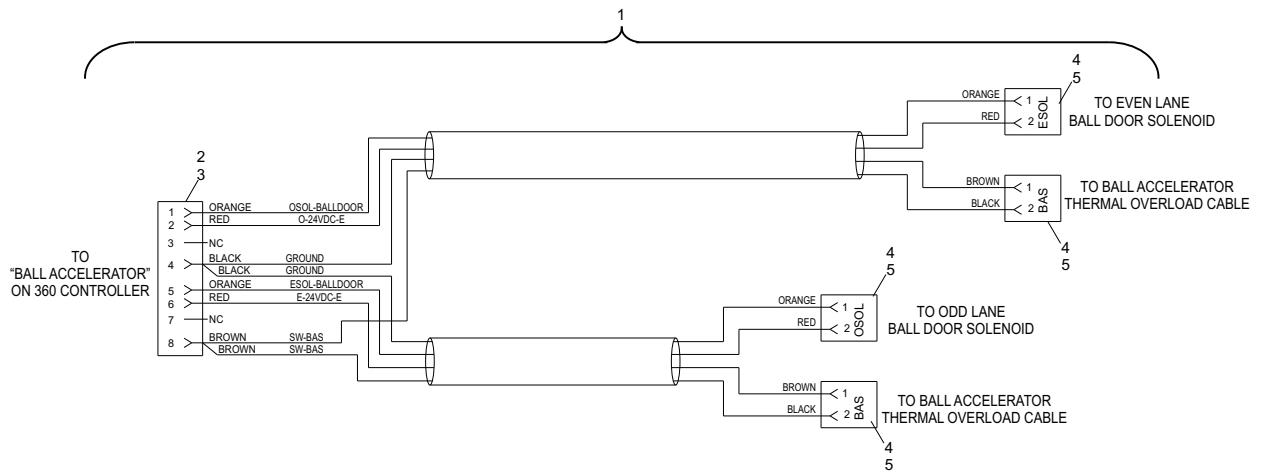
**Ball Door Control Cable - Boost ST, Single/Lane Pair Cable Assembly  
55-143181-000**



**Ball Door Control Cable - Boost ST, Single/Lane Pair Cable Assembly  
55-143181-000**

<b>Index No.</b>	<b>Part No.</b>	<b>Package / Order Reference</b>	<b>Description</b>
1.	55-143182-000		Ball Door Control Cable - Boost ST Separated Lane Pair
2.	11-692308-000		Connector Receptacle (8 Position Mini-Fit Jr.)
3.	11-692091-000		Terminal (Mini-Fit Jr. - Female)
4.	11-680216-000		Connector Housing (2 Position .062 Receptacle)
5.	11-680301-000		Terminal (.062 Female)

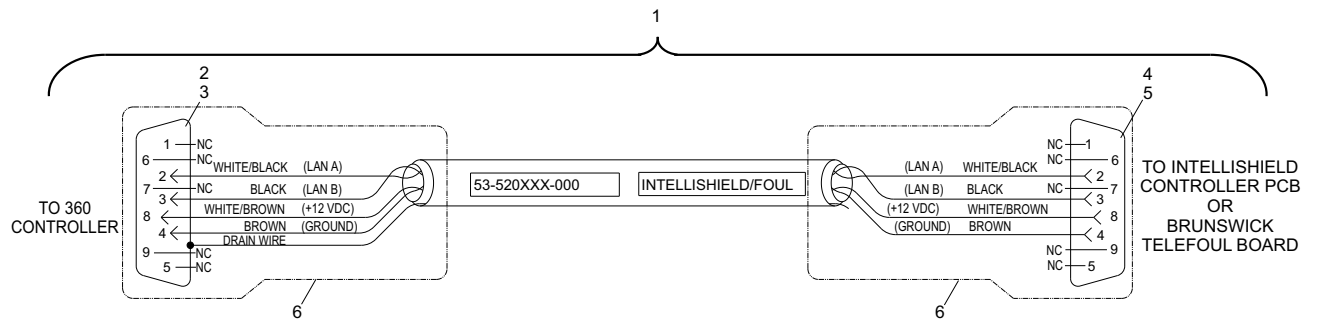
**Ball Door Control Cable - Boost ST, Separated Lane Pair Cable Assembly  
55-143182-000**



**Ball Door Control Cable - Boost ST, Separated Lane Pair Cable Assembly  
55-143182-000**

<b>Index No.</b>	<b>Part No.</b>	<b>Package / Order Reference</b>	<b>Description</b>
1.	53-520516-000		IntelliFoul Foul / IntelliShield Cable
2.	11-680985-000		Connector 9 Position D-Sub Plug
3.	11-680981-000		Terminal Pin
4.	11-680995-000		Connector 9 Position D-Sub Receptacle
5.	11-680983-000		Terminal Socket
6.	11-680996-000		Metal Backshell - 9 Position D type

**IntelliFoul / IntelliShield Cable Assembly  
53-520516-000**

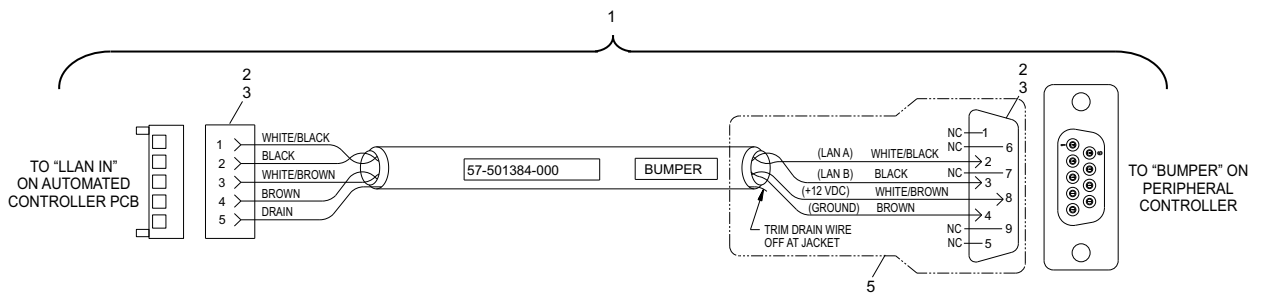


**IntelliFoul / IntelliShield Cable Assembly  
53-520516-000**

<b>Index No.</b>	<b>Part No.</b>	<b>Package / Order Reference</b>	<b>Description</b>
1.	57-501384-000		Boost 360 Controller To PBW Bumpers
2.	11-680985-000		Connector 9 Position D-Sub Plug
3.	11-680981-000		Terminal Pin
4.	11-680995-000		Connector 9 Position D-Sub Receptacle
5.	11-680983-000		Terminal Socket
6.	11-680996-000		Metal Backshell - 9 Position D type

**Boost 360 Controller to PBW Bumper Cable Assembly  
57-501384-000**

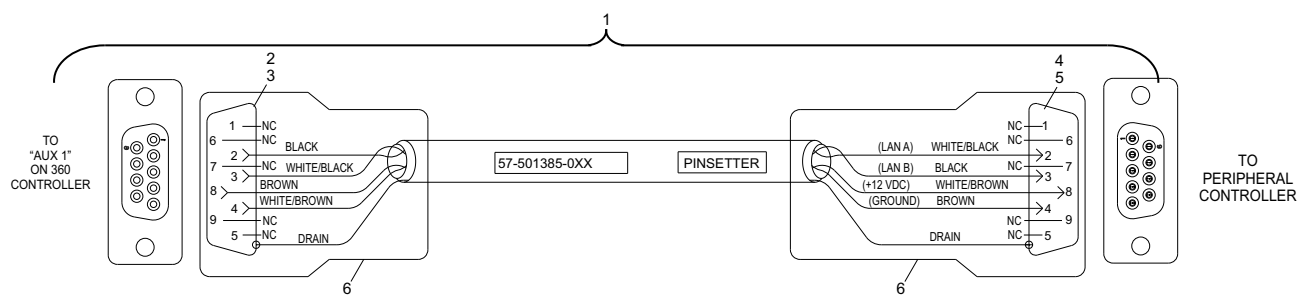




**Boost 360 Controller to PBW Bumpers Cable Assembly  
57-501384-000**

<b>Index No.</b>	<b>Part No.</b>	<b>Package / Order Reference</b>	<b>Description</b>
1.	57-501385-000		Peripheral Controller to 360 Controller Cable - 25 FT.
	57-501385-033		Peripheral Controller to 360 Controller Cable - 33 FT.
	57-501385-045		Peripheral Controller to 360 Controller Cable - 45 FT.
2.	11-680995-000		Connector 9 Position D-Sub Receptacle
3.	11-680983-000		Terminal Socket
4.	11-680985-000		Connector 9 Position D-Sub Plug
5.	11-680981-000		Terminal Pin
6.	11-680996-000		Metal Backshell - 9 Position D type

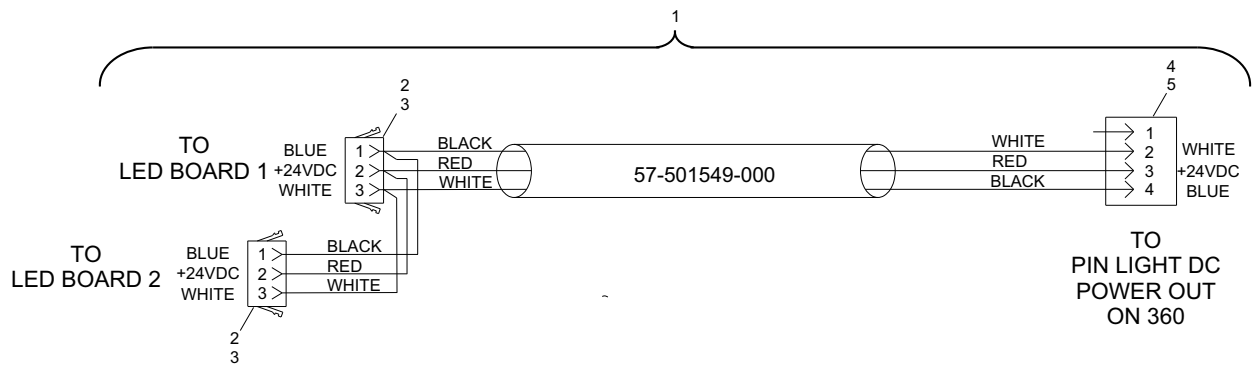
**Peripheral Controller to 360 Controller Cable Assembly  
57-501385-XXX**



**Peripheral Controller to 360 Controller Cable Assembly  
57-501385-XXX**

<b>Index No.</b>	<b>Part No.</b>	<b>Package / Order Reference</b>	<b>Description</b>
1.	57-501549-000		Nitro 2-Color Pin Light Cable Assembly
2.	11-680119-000		Connector (4 Position .062 Plug)
3.	11-680302-000		Terminal (.062 Male)
4.	11-680203-000		Connector Housing (3 Position .062 Receptacle)
5.	11-680301-000		Terminal (.062 Female)

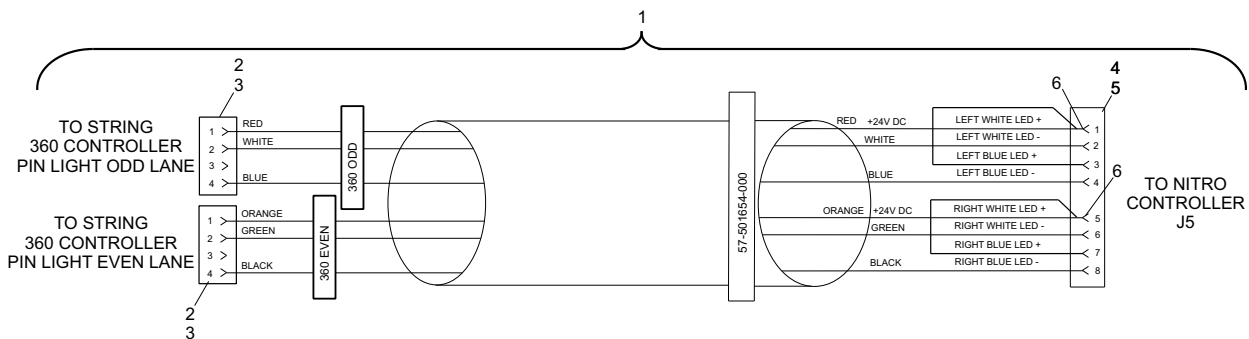
**Nitro 2-Color Pin Light Cable Assembly  
57-501549-000**



**Nitro 2-Color Pin Light Cable Assembly  
57-501549-000**

<b>Index No.</b>	<b>Part No.</b>	<b>Package / Order Reference</b>	<b>Description</b>
1.	57-501654-000		Nitro Multi Color Pin Light Cable Assembly
2.	11-680119-000		Connector (4 Position .062 Plug)
3.	11-680302-000		Terminal (.062 Male)
4.	11-692308-000		Connector (8 Position Mini-Fit)
5.	11-692091-000		Terminal, Receptacle 18/24 AWG (Mini-Fit)
5.	11-692092-000		Terminal, Receptacle 16 AWG (Mini-Fit)

**Nitro Multi-Color Pin Light Cable  
57-501654-000**



**Nitro Multi-Color Pin Light Cable**  
**57-501654-000**

Intentionally Blank Page



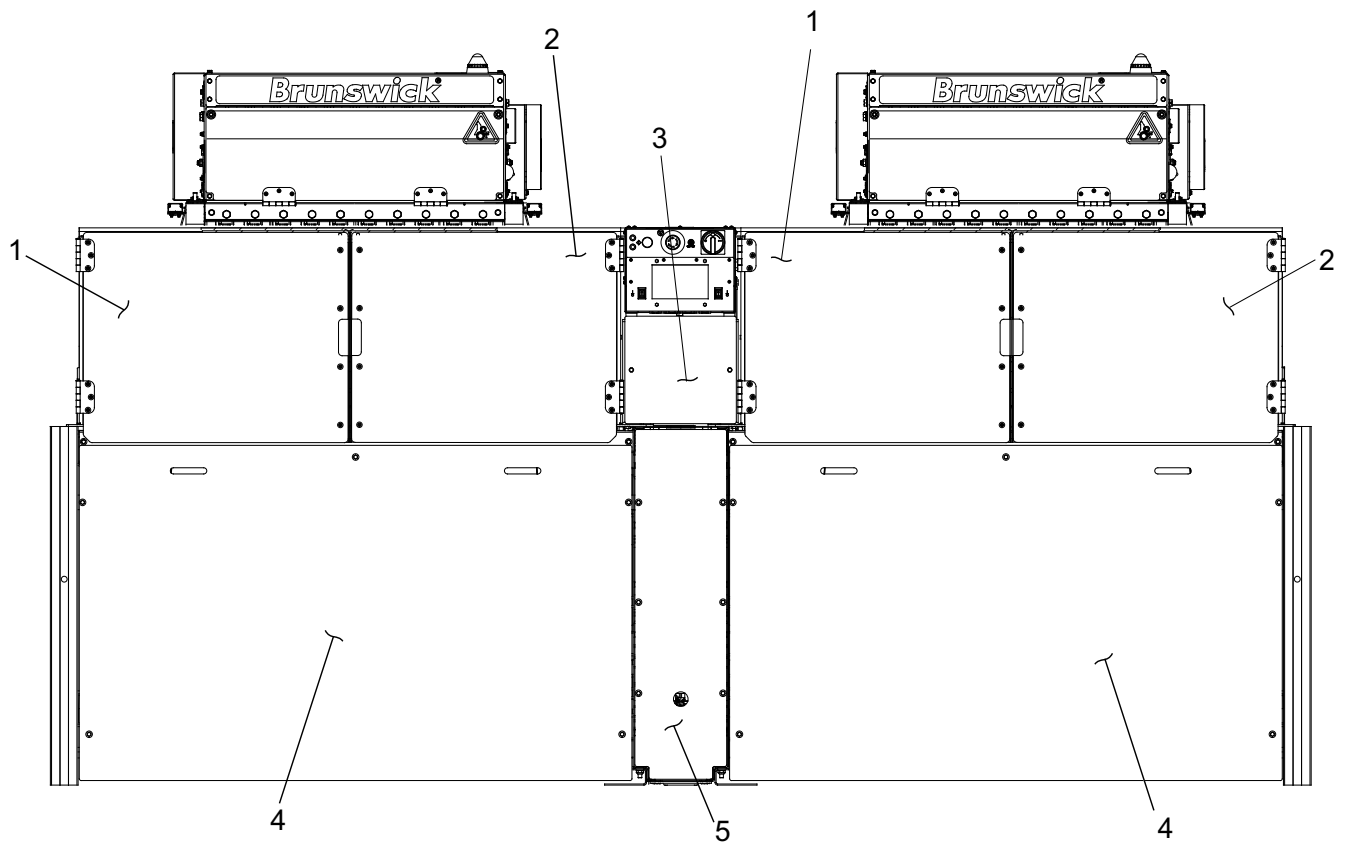
## **Section H**

# **Guards and Safety**

**SECTION REVISION DATE**  
*APRIL 2024*

<b>Index No.</b>	<b>Part No.</b>	<b>Package / Order Reference</b>	<b>Description</b>
1.	55-099546-009		R.H. Rear Upper Guard Door w/Magnetic Latch
2.	55-099544-009		L.H. Rear Upper Guard Door w/Magnetic Latch
3.	55-279314-009		Controller Protector Plate
4.	55-279326-009		Rear Lower Guard Plate
5.	55-279325-009		Ball Return Rear Plate

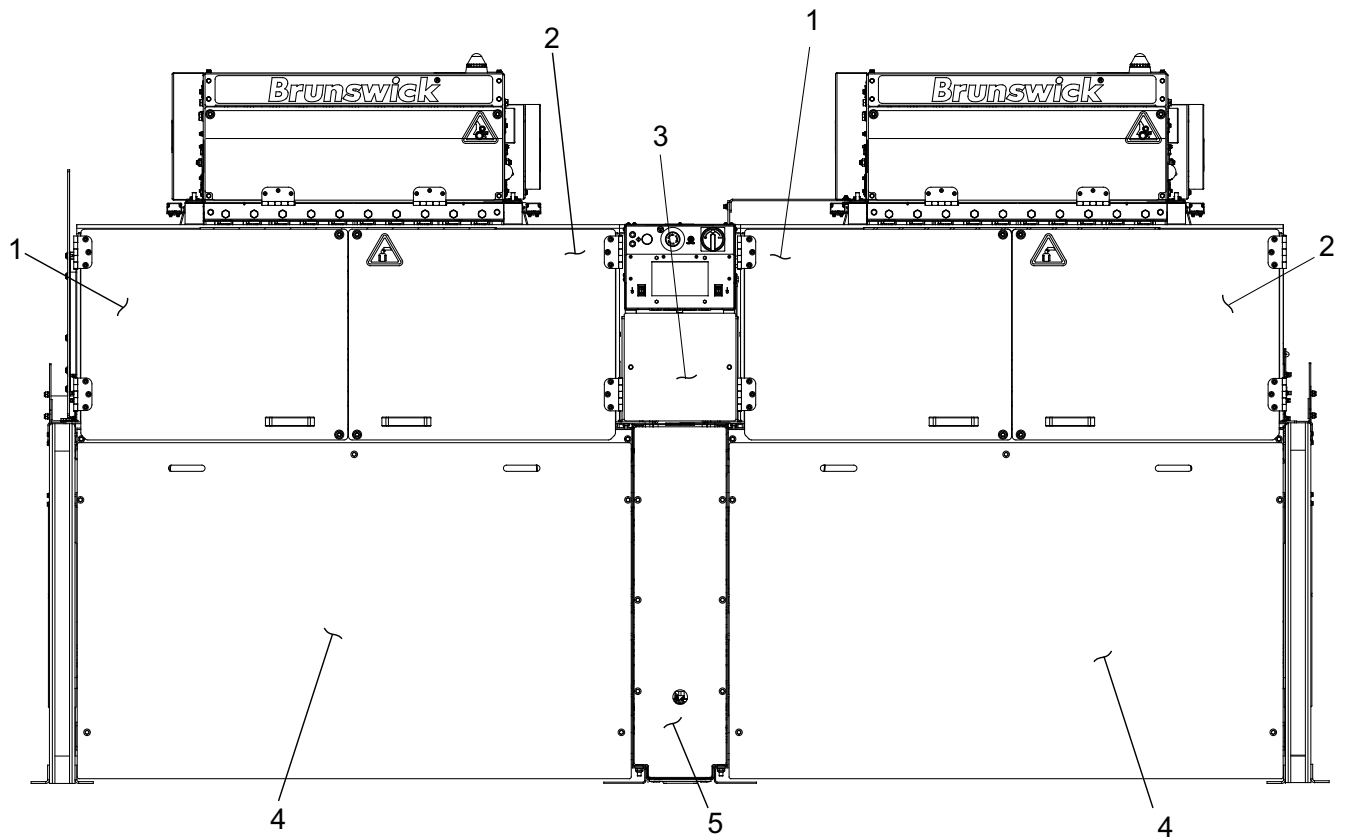
## Rear Guards - UL



### Rear Guards - UL

<b>Index No.</b>	<b>Part No.</b>	<b>Package / Order Reference</b>	<b>Description</b>
1.	55-099063-009		R.H. Rear Upper Guard Door w/Camlock Latch
2.	55-099085-009		L.H. Rear Upper Guard Door w/Camlock Latch
3.	55-279314-009		Controller Protector Plate
4.	55-279326-009		Rear Lower Guard Plate
5.	55-279325-009		Ball Return Rear Plate

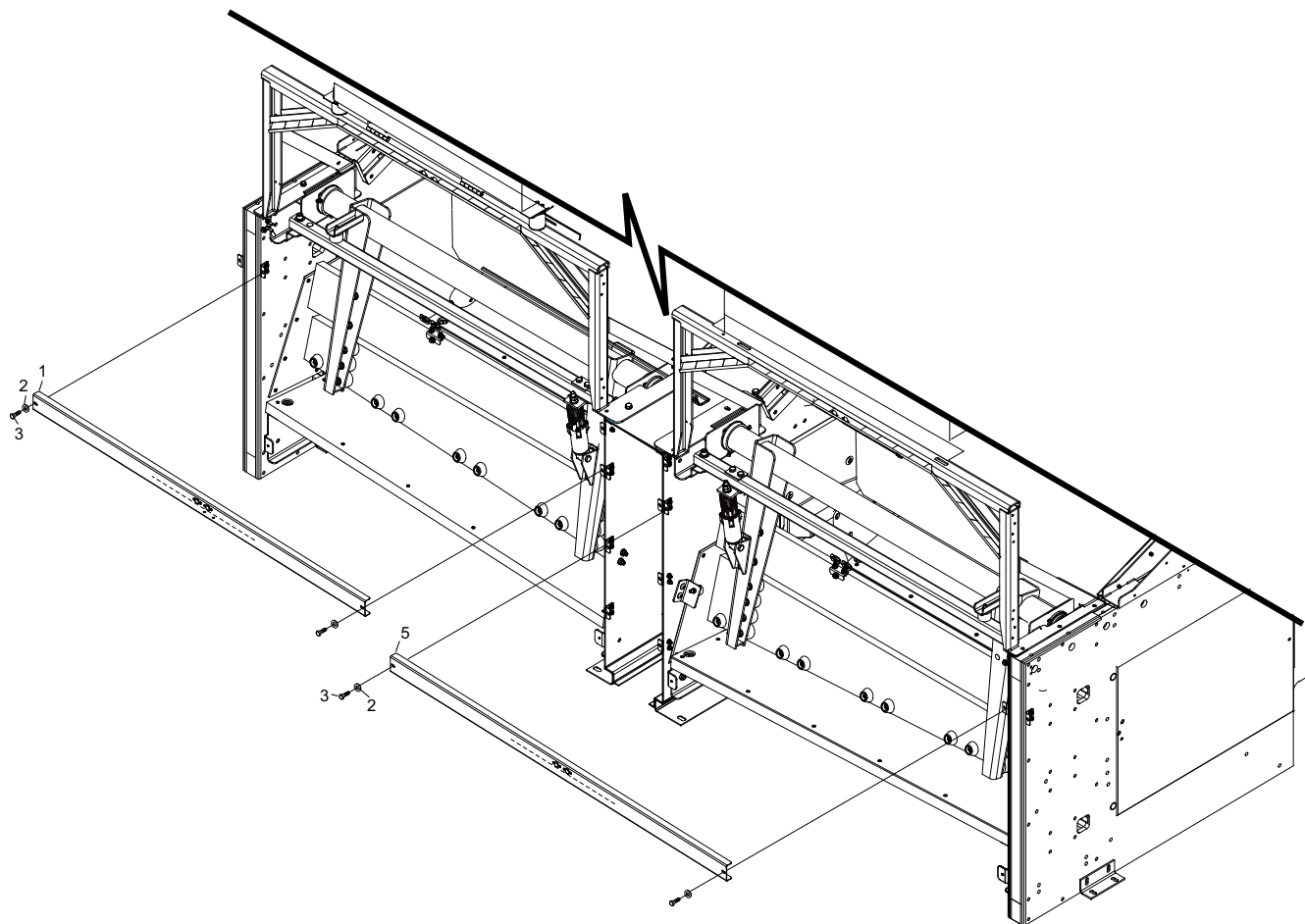
## Rear Guards - CE



**Rear Guards - CE**

<b>Index No.</b>	<b>Part No.</b>	<b>Package / Order Reference</b>	<b>Description</b>
1.	55-279081-002		R.H. Horizontal Holder Assembly w/Magnetic Latch
	55-279081-009		R.H. Horizontal Holder Assembly w/Camlock Latch
2.	11-052037-001		(M10) Flat Washer
3.	11-051018-001		Hex Head Cap Screw (M6 X 20 Mm)
4.	11-051744-001		(M8) Locknut
5.	55-279078-002		L.H. Horizontal Holder Assembly w/Magnetic Latch
	55-279078-009		L.H. Horizontal Holder Assembly w/Camlock Latch

## Rear Guard - Horizontal Bracket

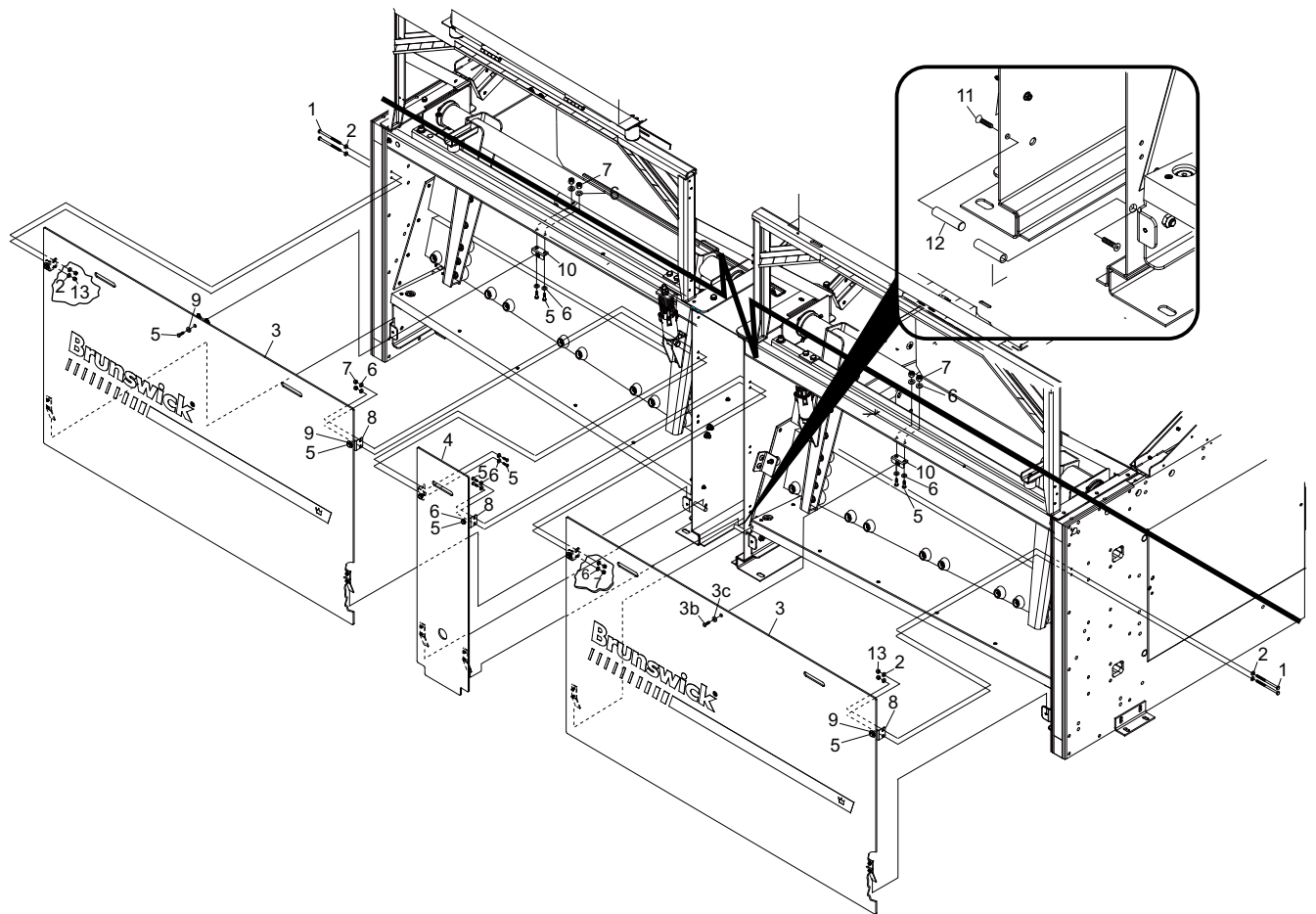


### Rear Guard - Horizontal Bracket

<b>Index No.</b>	<b>Part No.</b>	<b>Package / Order Reference</b>	<b>Description</b>
1.	11-051117-001		Hex Head Cap Screw (M6 X 100 MM)
2.	11-052008-000		(M6) Flat Washer
3.	55-279326-009		Rear Guard Plate Complete w/Brackets and Hardware
4.	55-279325-009		Ball Return Rear Plate Complete w/ Brackets And Hardware
5.	11-051010-000		Hex Head Cap Screw (M8 X 20 MM)
6.	11-052003-000		Flat Washer (M8)
7.	11-051744-000		Locknut (M8)
8.	55-099065-001		Ass'y - Guard Bracket
9.	11-052019-001		Flat Washer (M10)
10.	55-279371-001		Assembly Guard Rear Holder Plate
11.	11-052953-000		Screw Socket Flat Head
12.	55-279512-000		Threaded Pin
13.	11-051743-000		Locknut (M6)

## Rear Guards - Lower Guards and Brackets

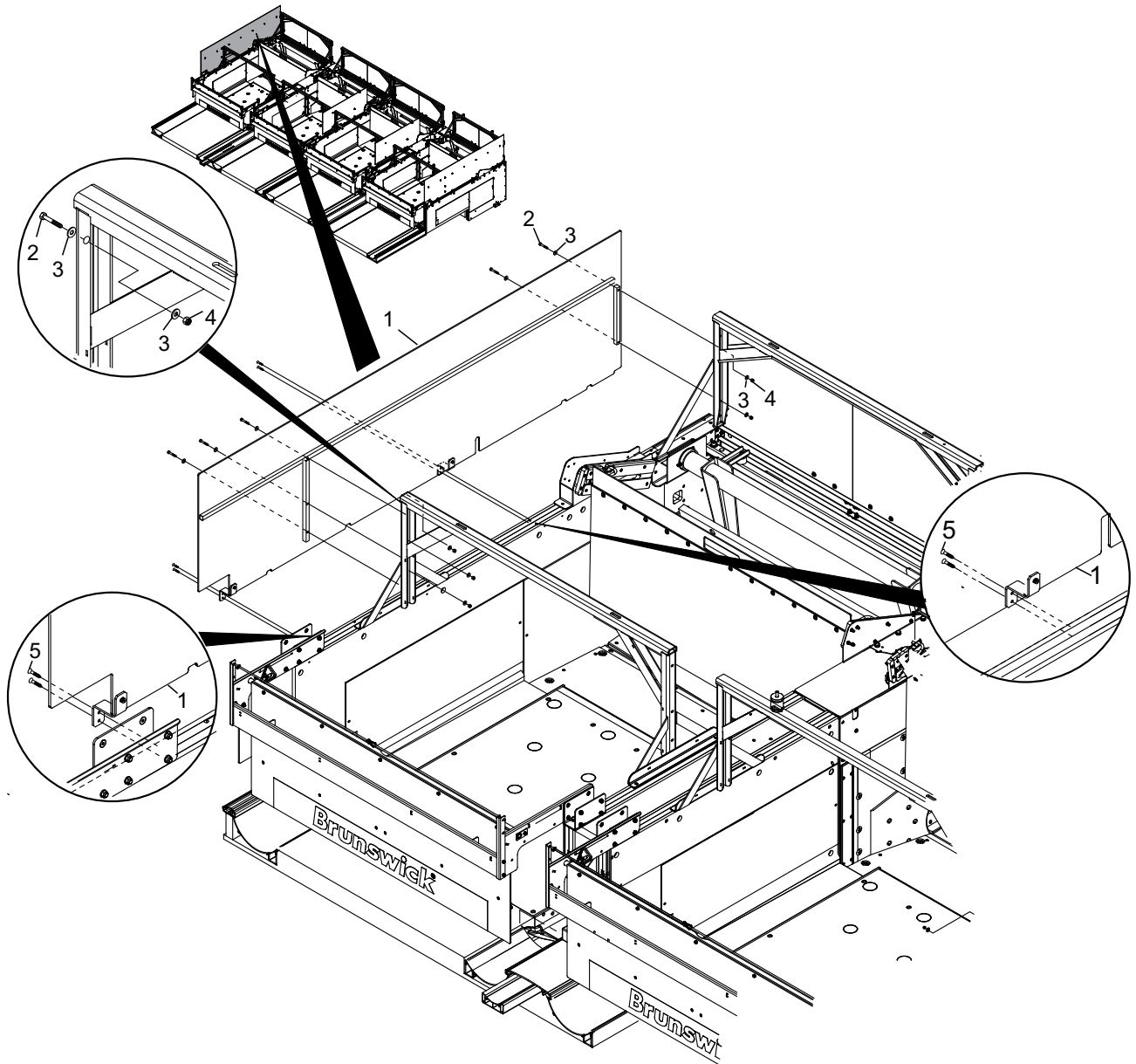




### Rear Guards - Lower Guards and Brackets

<b>Index No.</b>	<b>Part No.</b>	<b>Package / Order Reference</b>	<b>Description</b>
1.	55-099327-009		Package - End Lane Division Guard
2.	11-051007-000		Hex Head Cap Screw (M6 X 40 MM)
3.	11-052037-001		Flat Washer
4.	11-051743-000		(M6) Locknut
5.	11-051892-000		Torx Countersink Wood Screw

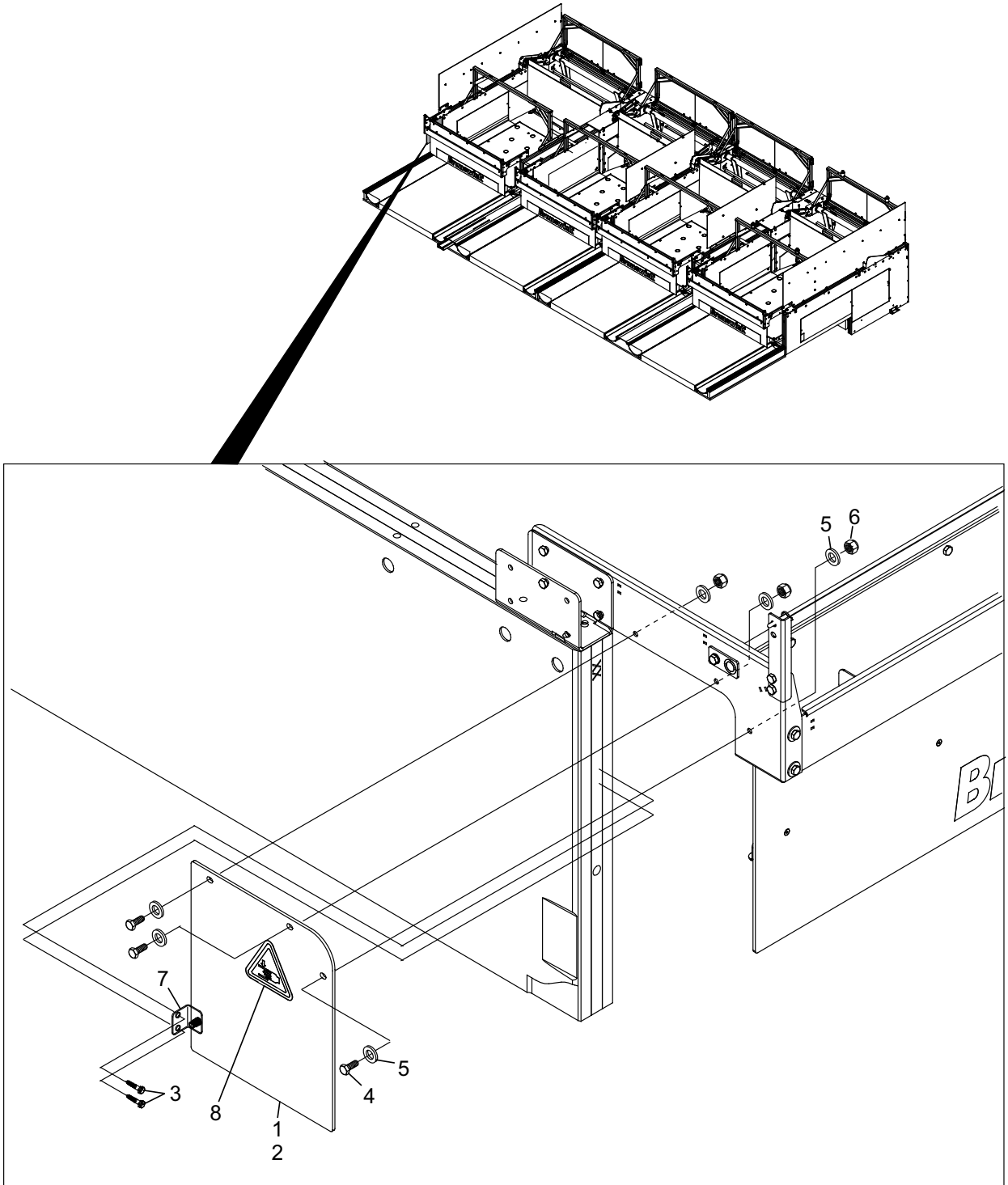
## End Lane Division Guard - Left Side



**End Lane Division Guard - Left Side**

<b>Index No.</b>	<b>Part No.</b>	<b>Package / Order Reference</b>	<b>Description</b>
1.	55-099361-009		Package - Front Gate Guard (Includes Indexes 2-8)
2.	55-099361-001		Assembly - Front Gate Guard
3.	11-053308-000		Hex Head Wood Screw
4.	11-051010-001		Hex Head Cap Screw (M8 X 20mm)
5.	11-052003-000		Flat Washer
6.	11-051744-000		(M8) Locknut
7.	55-099065-001		Guard Bracket
8.	99-268201-003		"Pinch Point" Safety Label

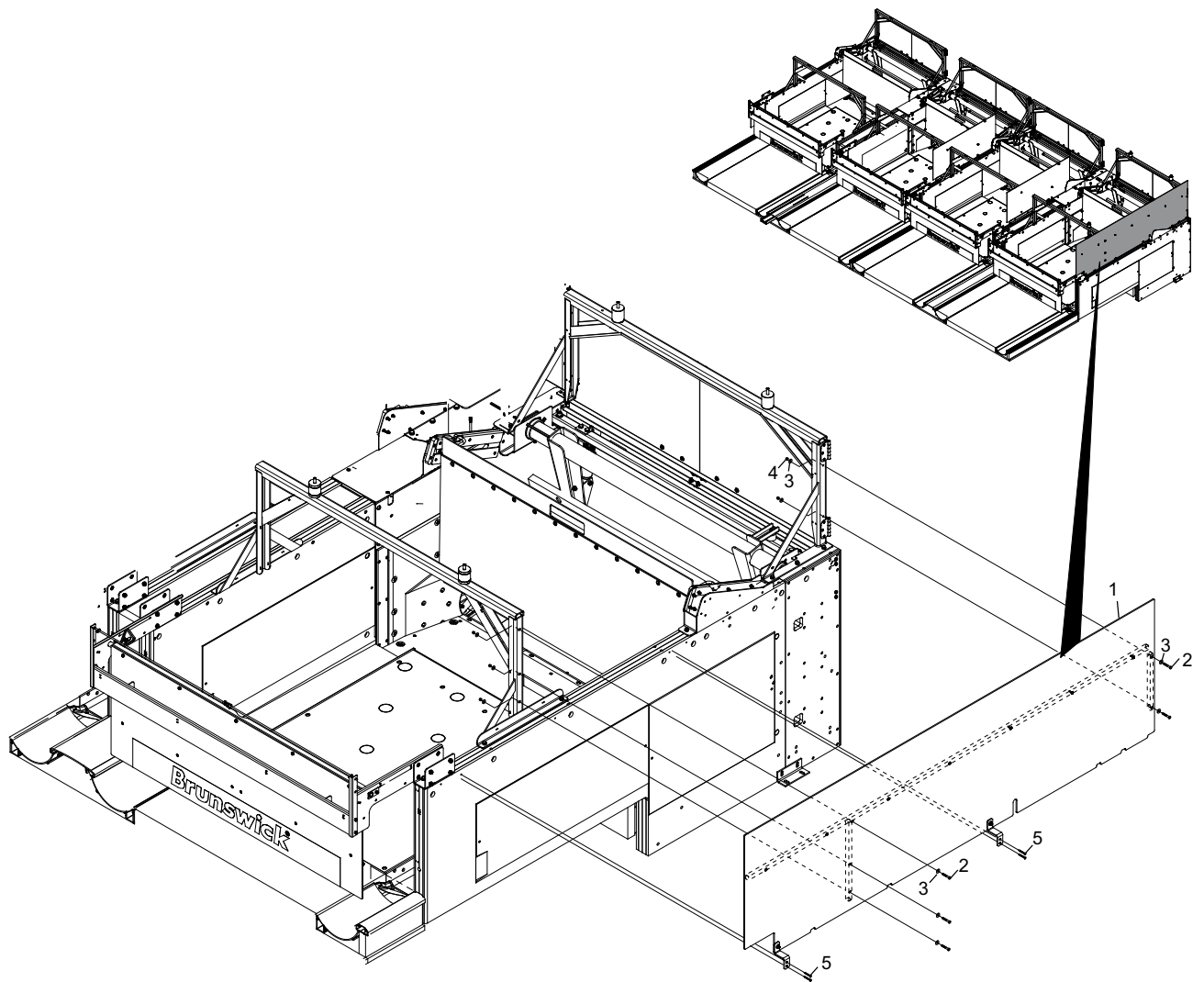
## **End Lane Gate Guard - Left Side**



**End Lane Gate Guard - Left Side**

<b>Index No.</b>	<b>Part No.</b>	<b>Package / Order Reference</b>	<b>Description</b>
1.	55-099327-009		Package - End Lane Division Guard
2.	11-051007-000		Hex Head Cap Screw (M6 X 40 mm)
3.	11-052037-001		Flat Washer
4.	11-051743-000		(M6) Locknut
5.	11-051892-000		Torx Countersink Wood Screw

## **End Lane Division Guard - Right Side**

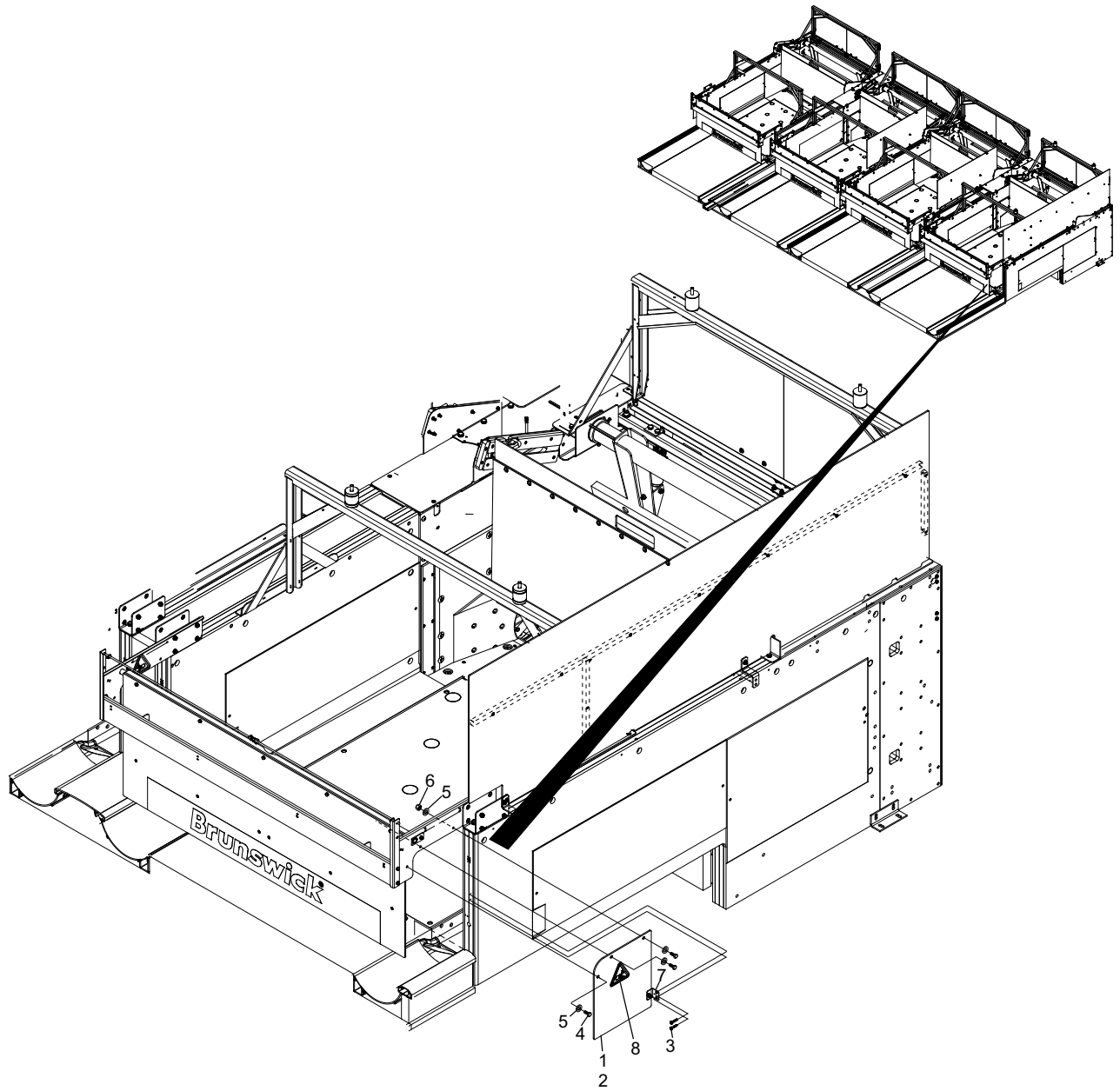


**End Lane Division Guard - Right Side**

<b>Index No.</b>	<b>Part No.</b>	<b>Package / Order Reference</b>	<b>Description</b>
1.	55-099361-009		Package - Front Gate Guard (Includes Indexes 2-8)
2.	55-099361-001		Assembly - Front Gate Guard
3.	11-053308-000		Hex Head Wood Screw
4.	11-051010-001		Hex Head Cap Screw (M8 X 20 mm)
5.	11-052003-000		Flat Washer
6.	11-051744-000		(M8) Locknut
7.	55-099065-001		Guard Bracket
8.	99-268201-003		"Pinch Point" Safety Label

## End Lane Gate Guard - Right Side

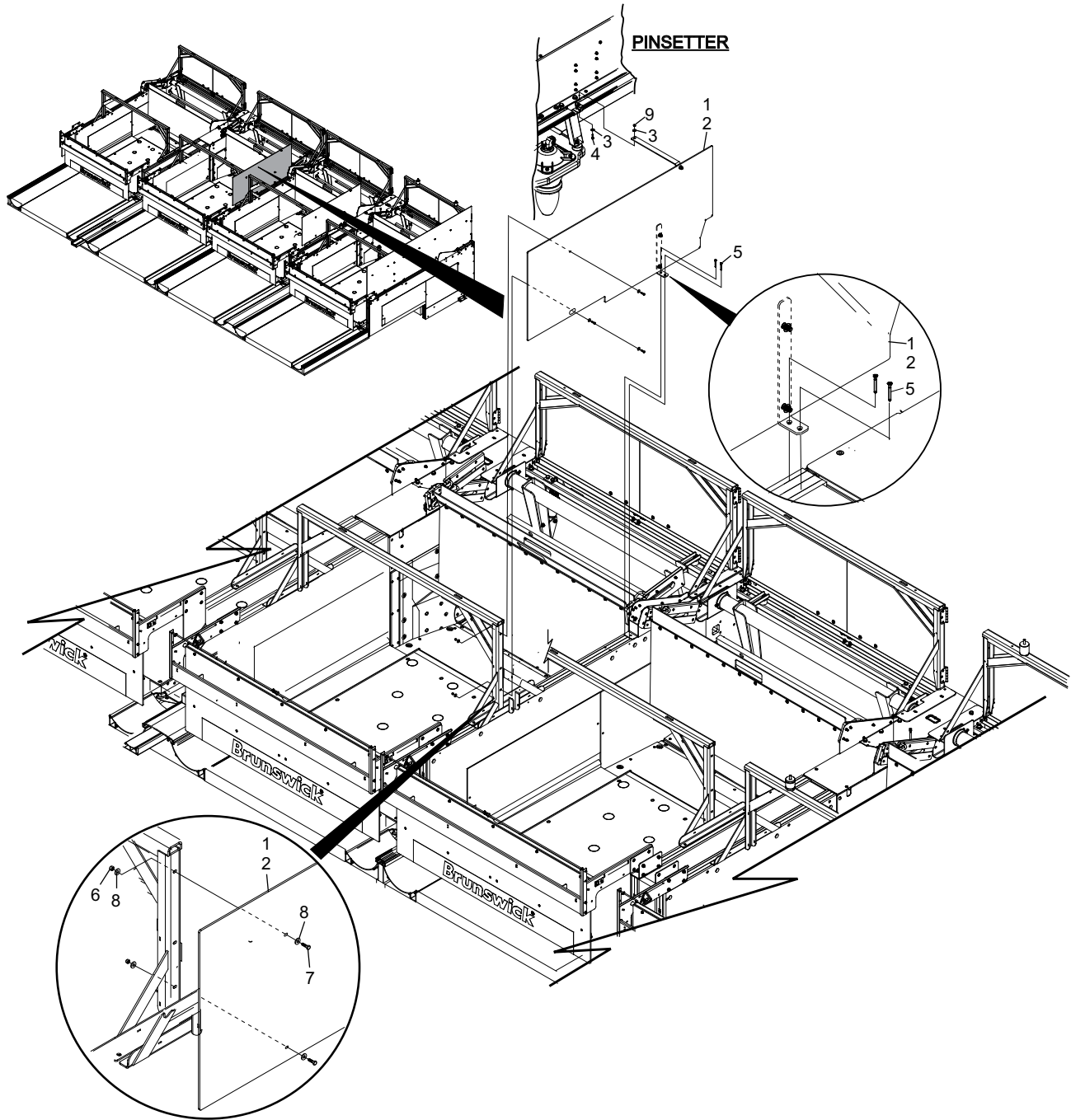




**End Lane Gate Guard - Right Side**

<b>Index No.</b>	<b>Part No.</b>	<b>Package / Order Reference</b>	<b>Description</b>
1.	55-099387-009		Pin Guard Plate Package (Includes Indexes 2-9)
2.	55-099387-000		Pin Guard Plate Assembly
3.	11-052037-001		Flat Washer
4.	11-051018-000		Hex Head Cap Screw (M6 X 20 MM)
5.	11-051898-000		Torx Countersink Wood Screw
6.	11-051744-000		(M8) Locknut
7.	11-051015-000		Hex Head Cap Screw (M8 X 25 MM)
8.	11-052003-000		Flat Washer
9.	11-051743-001		(M6) Locknut

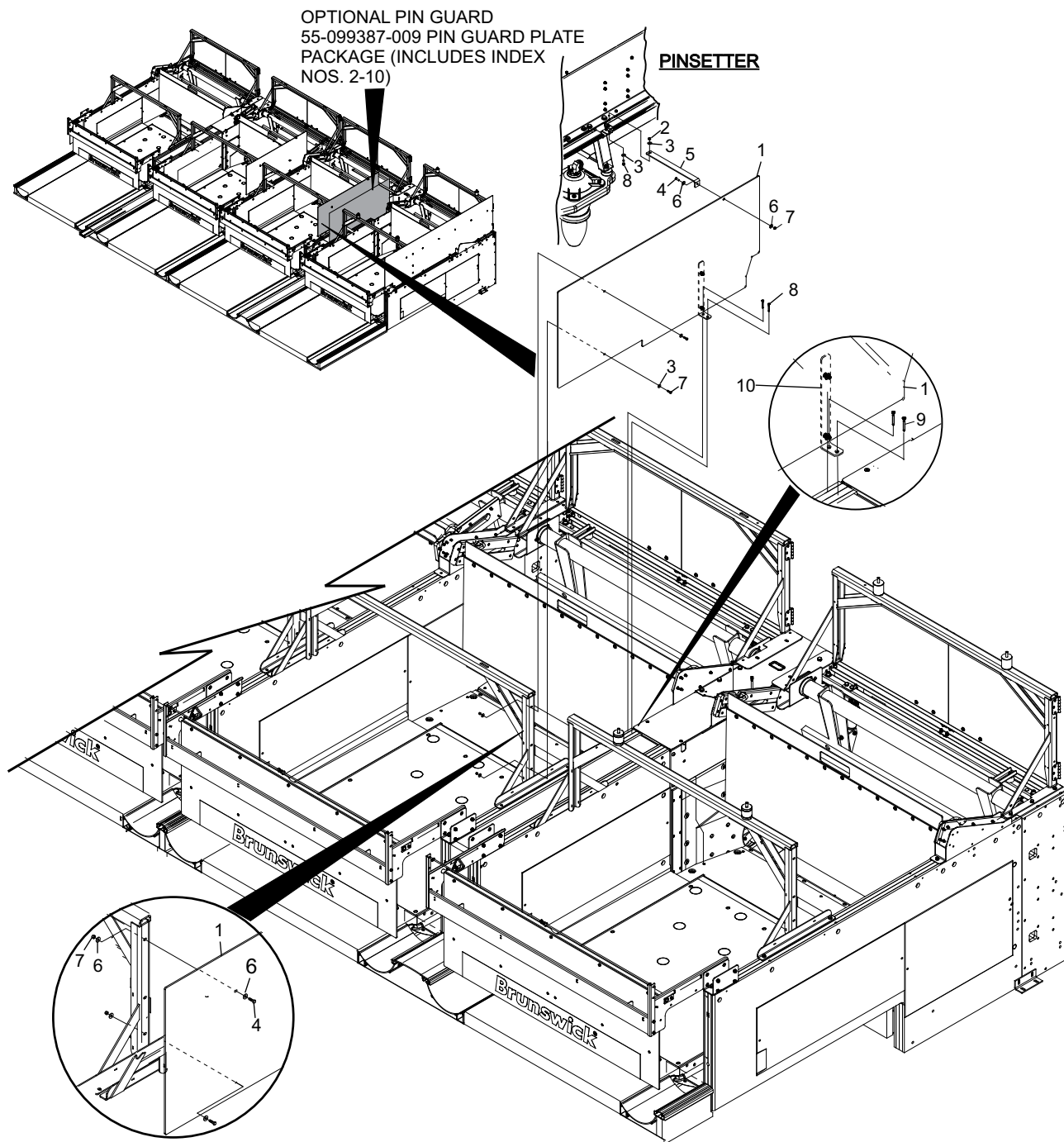
## Inside Division Guard



**Inside Division Guard**

<b>Index No.</b>	<b>Part No.</b>	<b>Package / Order Reference</b>	<b>Description</b>
1.	55-099387-009		Pin Guard Plate Package (Includes Indexes 2-10)
2.	11-051743-001		(M6) Locknut
3.	11-052037-001		(M10) Flat Washer
4.	11-051015-000		Hex Head Cap Screw (M8 X 25 mm)
5.	55-099390-000		Reinforcement Bracket
6.	11-052003-000		(M8) Flat Washer
7.	11-051744-000		(M8) Locknut
8.	11-051018-001		Hex Head Cap Screw (M6 X 20 mm)
9.	11-051898-000		Torx Countersink Wood Screw
10.	55-099391-000		Holder, Pin Guard

## Ball Return Side Guard



## Ball Return Side Guard

Intentionally Blank Page