

**Index**

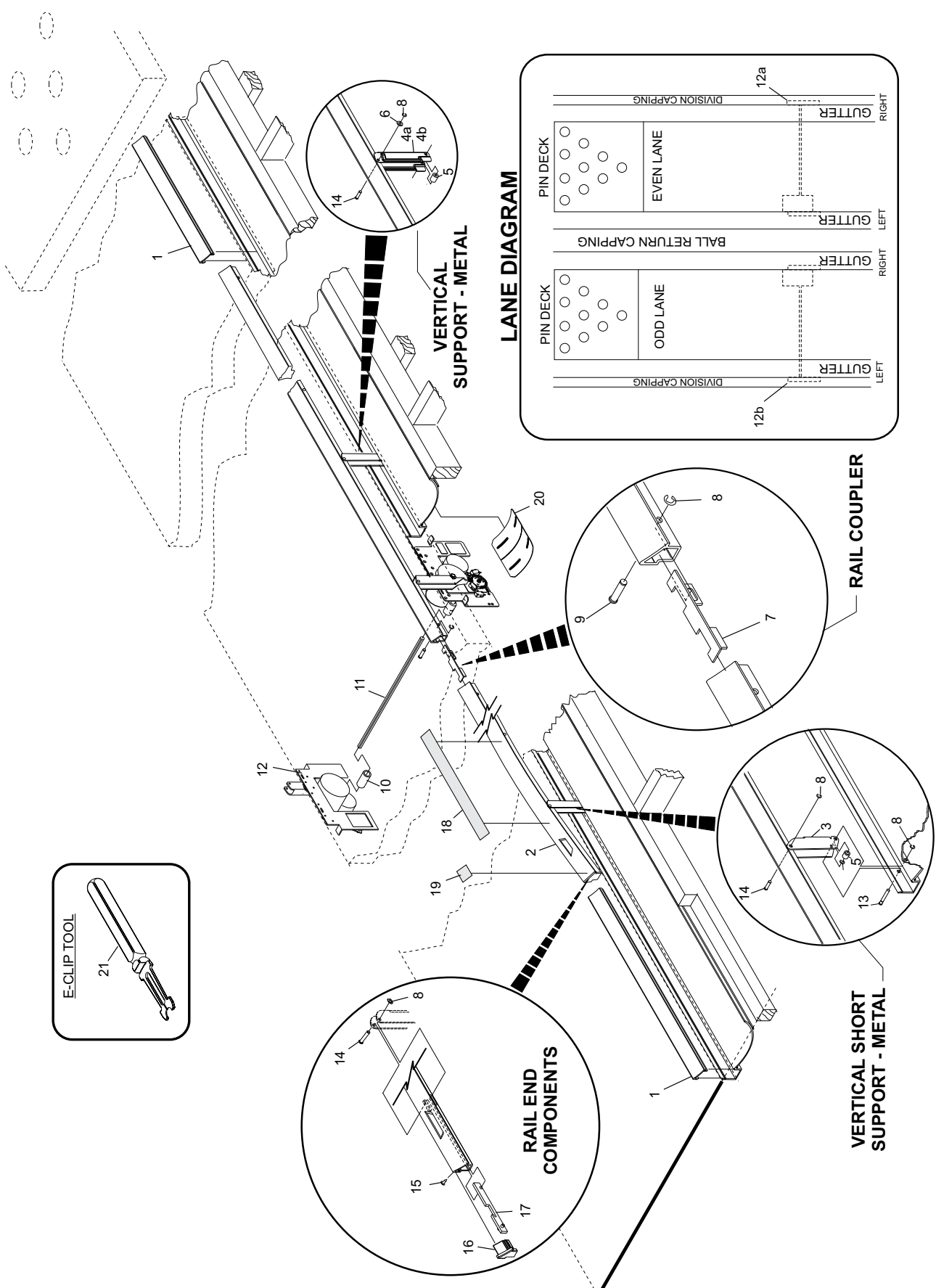
No.	Part No.	Description
1.	*84-200465-xxx	Cosmetic Cover 31.25" long (Dark Gray)
2.	84-860689-000	N.A. Pkg. Rails Vertical Support and Hardware - Foul End
	*84-200452-xxx	L.H. Foul End Rail (Dark Gray)
	*84-200453-xxx	R.H. Foul End Rail (Dark Gray)
	*84-200451-xxx	L.H. & R.H. Common Rail (Dark Gray)
	*84-200478-xxx	L.H. Pinsetter End Rail
	*84-200479-xxx	R.H. Pinsetter End Rail
3.	84-860733-000	Short Vertical (first) Support Pkg. (lane pair)
4a.	84-860719-000	Vertical Support Kit w/Pads - Metal (includes 28 Metal Supports, 30 Bushings, 30 Washers, 5 Retaining Rings)
4b.	84-860909-000	Vertical Support - Small Ball (Candlepin/Duckpin), (Pkg. of 60)
5.	84-200487-000	Noise Reducing Bushing
6.	11-190509-001	Flat Washer
7.	84-200457-000	Rail Coupler
8.	11-537050-000	Retaining Ring
9.	84-200458-003	Rail Coupler Pin (1-1/16" length)
10.	84-200582-000	Shaft Coupler PBW II
11.	84-200584-000	Cross Lane Link PBW II
12a.	**84-200602-001	Driven Pivot Assembly w/o Motor (right-hand side of even lane) PBW II
12b.	**84-200602-002	Driven Pivot Assembly w/o Motor (left-hand side of odd lane) PBW II
13.	84-200459-000	Gutter Arm Pin (2" length)
14.	84-200458-001	Rail Arm Pin (1-1/4" length)
15.	11-082390-000	N.A. Screw (#8-18 x 1/2")
16.	84-200463-001	R.H. Rail Plug (Pkg. of 10) - black
	84-200463-002	L.H. Rail Plug (Pkg. of 10)- black
17.	84-200460-000	End Rail Insert
18.	11-682561-000	Safety Warning Label 1- Call for details in language
19.	84-860747-002	Safety Warning Label 2
20.	84-200462-000	Gutter Coupler
21.	84-200472-000	E-Clip Installation Tool

N.A. = No Longer Available

Part No.	Division Capping Color Strips
-220	BLUEBERRY
-221	KIWI
-222	CRANBERRY
-223	GRAPE
-224	BANANA
-225	STRAWBERRY

\*\* See Lane Diagram on page 23D

**Pinball Wizard II Gutters -  
Automated Bumpers System**



**Pinball Wizard II Gutters -  
Automated Bumpers System**