

Index

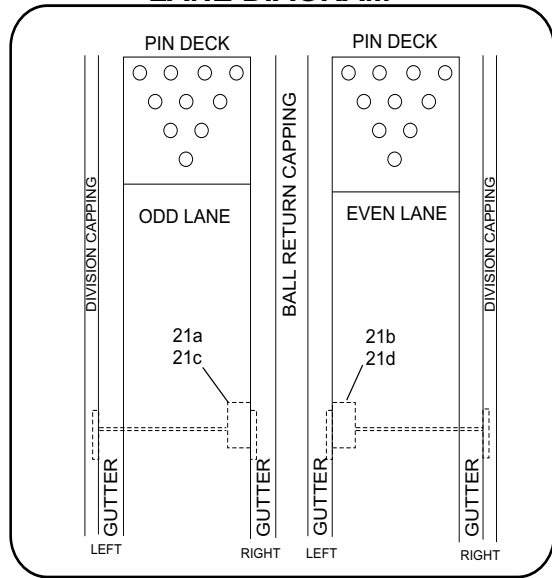
No.	Part No.	Description
1.	84-200582-000	Coupler Clamp (1-1/8 x 1-3/4)
2.	17-200162-000	Output Shaft
3.	17-200161-000	Keys
4.	17-200159-000	Large Gears
5.	17-200160-000	Small Output Gear
6.	11-050003-000	Woodruff Key (1/8 x 1/2) PBW II
7.	84-200582-000	Shaft Coupler (1-1/8 x 1-3/4) PBW II
8.	84-200585-000	Spring PBW II
9a.	84-860726-000	Actuator Arm Pkg. - includes pin, e-ring, and instructions
9b.	84-200921-000	Actuator Arm w/Bearing for Small Ball (Arm only)
10.	84-200643-115	N.A. Motor 115VAC PBW II
	84-860899-115	R.O. Pkg. Motor 115VAC PBW II - motor only
	84-200643-230	N.A. Motor 230VAC PBW II
	84-860899-230	R.O. Motor 230VAC PBW II - motor only
11.	84-200580-001	Side Plate PBW II - for index numbers 21a & 21c
	84-200580-002	Side Plate PBW II - for index numbers 21b & 21d
12.	11-612155-000	Terminal - Faston Female
13.	11-012009-001	N.A. Pan Head C.R. Screw (#4-40 x 3/4") PBW II
14.	84-200588-001	N.A. Pivot Plate PBW II - for index numbers 21a & 21c
	84-200588-002	N.A. Pivot Plate PBW II - for index numbers 21b & 21d
15.	84-200583-000	Spur Gear (20 °) PBW II
16.	11-530017-001	Retaining Ring PBW II
17.	11-010782-000	Hex Head Screw (1/4-20 x 1/2") PBW II
18.	11-421015-000	Flanged Bearing PBW II
19.	11-192570-000	Shim Washer (1/2 x 7/8 x .048) PBW II
20.	11-050003-000	Woodruff Key (1/8 x 1/2) PBW II
21a.	*84-200600-115	Drive Pivot Assembly w/Motor - 115VAC PBW II
21b.	*84-200601-115	Drive Pivot Assembly w/Motor - 115VAC PBW II
21c.	*84-200600-230	Drive Pivot Assembly w/Motor - 230VAC PBW II
21d.	*84-200601-230	Drive Pivot Assembly w/Motor - 230VAC PBW II
22.	84-860681-001	L.H. External Timing Switch package PBW II - Order per lane Pair
	84-860681-002	R.H. External Timing Switch package PBW II - Order per lane Pair
	84-860068-001	External Timing Switch package - Order per lane Pair
23.	84-200458-005	Actuator Arm Pin (1.31" length)
24.	11-053584-000	Micro Switch - N.O.
	84-860101-000	Package of 2 - Micro Switch - N.O. And 11-612155-000, Terminal - Faston Female (Index 12)
25.	84-200733-000	Cam Gear
26.	84-860900-000	L.H. Up/Down Switch Plate
	84-860901-000	R.H. Up/Down Switch Plate
27.	11-420095-000	Bearing
28.	11-012349-001	Pan Head C.R. Screw (#10-32) (Apply Loctite)
29.	11-190006-001	Flat Washer (#10)
30.	84-200752-000	Bushing

N.A. = No Longer Available

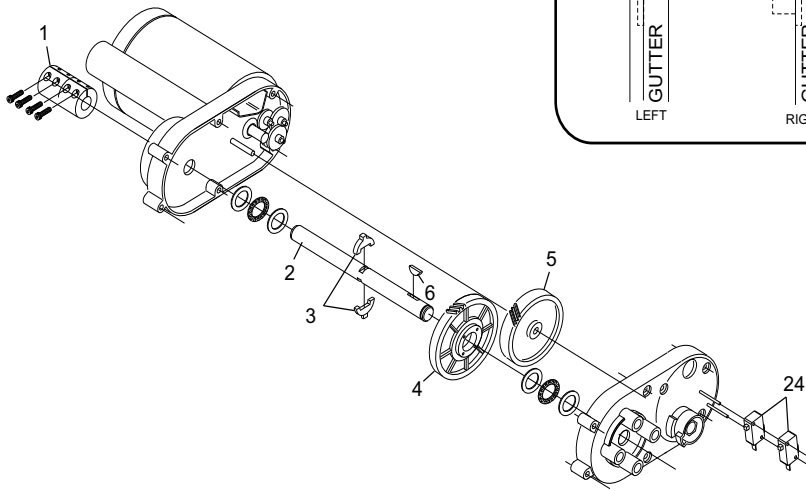
* See Lane Diagram on page 25D

Pinball Wizard II Motor Version I & II

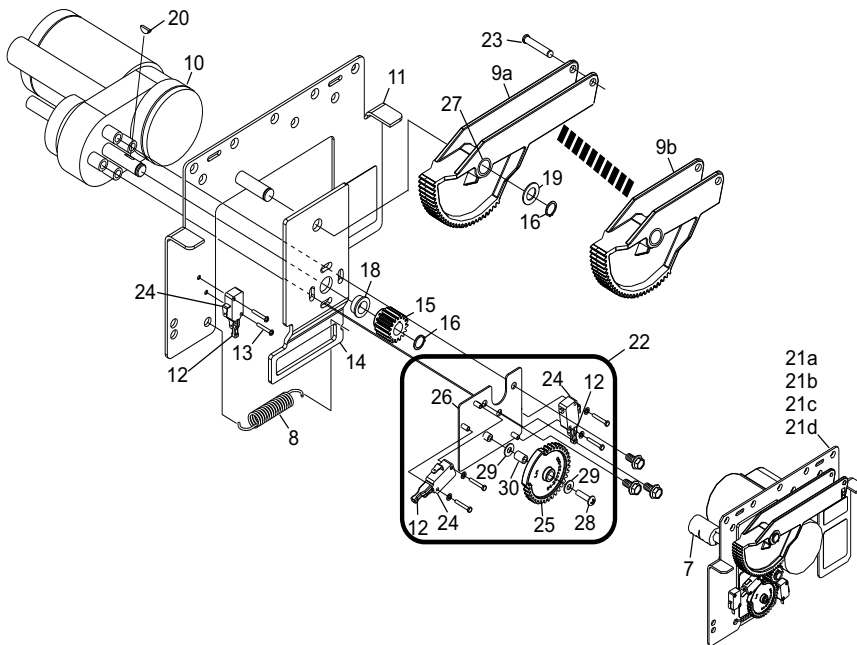
LANE DIAGRAM



PINBALL WIZARD II MOTOR VERSION I



PINBALL WIZARD II MOTOR VERSION II



Pinball Wizard II Motor Version I & II