

Section D

**CAPPING - UOS/VOS/PVC
& Gutters - ABS/PVC**

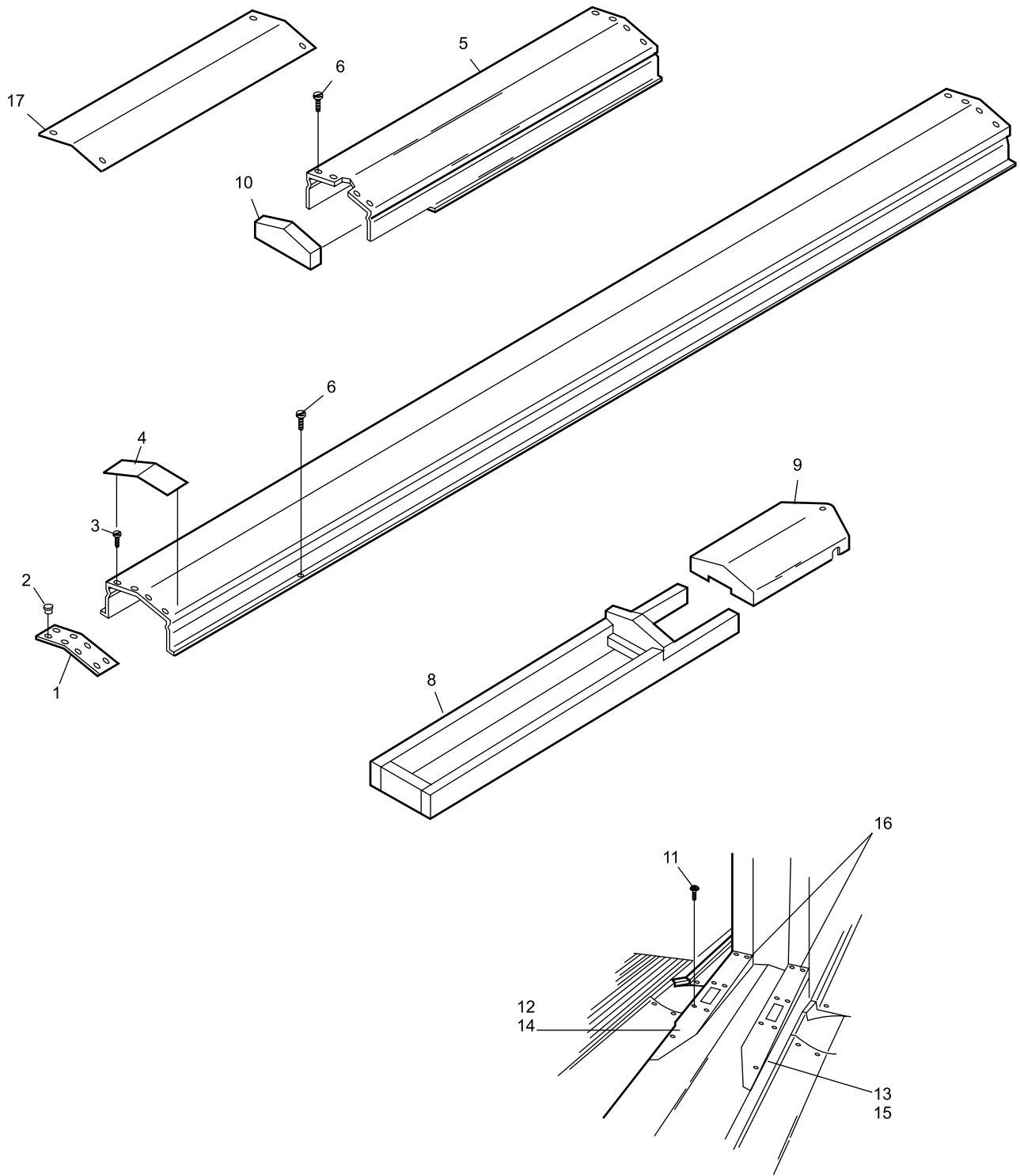
Index

No.	Part No.		Description
1.	84-200108-002	N.A.	Return Capping Coupler
2.	52-100207-000	N.A.	Grommet Nut
3.	11-086365-003		C.R. Flat Hd. Tapping Screw (#8-18 x 3/4")
4.	84-200124-000	N.A.	Vinyl Tape (2" x 17") (Brown)
	53-400239-200	N.A.	Polyester Tape (Reno Blue)
5.	N.A.		V.O.S. Return Capping w/Hardware (10-1/2") (Dark Gray)
	N.A.		U.O.S. Return Capping (10-1/2") (Dark Gray)
6.	N.A.		C.R. Flat Hd. Wood Screw (#8-15 x 3/4")
7.	*N.A.		V.O.S. Return Capping (10-1/2") (Brown)
	N.A.		U.O.S. Return Capping (10-1/2") (Brown)
8.	N.A.		Return Tel-E-Foul Mount
9.	N.A.		Cover w/Lens ("2000" Brown)
10.	N.A.		Return Mount
11.	N.A.		Flat Hd. Self Tapping Screw (#10 x 2-1/4")
12.	N.A.		L.H. Return Capping Nose Block (GS-10 Pinsetter Only)
13.	N.A.		R.H. Return Capping Nose Block (GS-10 Pinsetter Only)
14.	N.A.		L.H. Return Capping Nose Block and Label Assembly (GS-92 Pinsetter Only)
	84-200181-200		L.H. Return Capping Nose Block (Reno Blue)
15.	84-200182-000		R.H. Return Capping Nose Block and Label Assembly (GS-92 Pinsetter Only)
	N.A.		R.H. Return Capping Nose Block (Reno Blue)
16.	N.A.		"Danger" Label Only
17.	17-860784-000	N.A.	Return Capping Cover (Brown)
	17-860786-000	N.A.	Return Capping Cover (Gray)

N.A. = No Longer Available

* Not Illustrated

New Style V.O.S./O.U.S Subway Return Capping



FOR GS-10 PINSETTERS ONLY

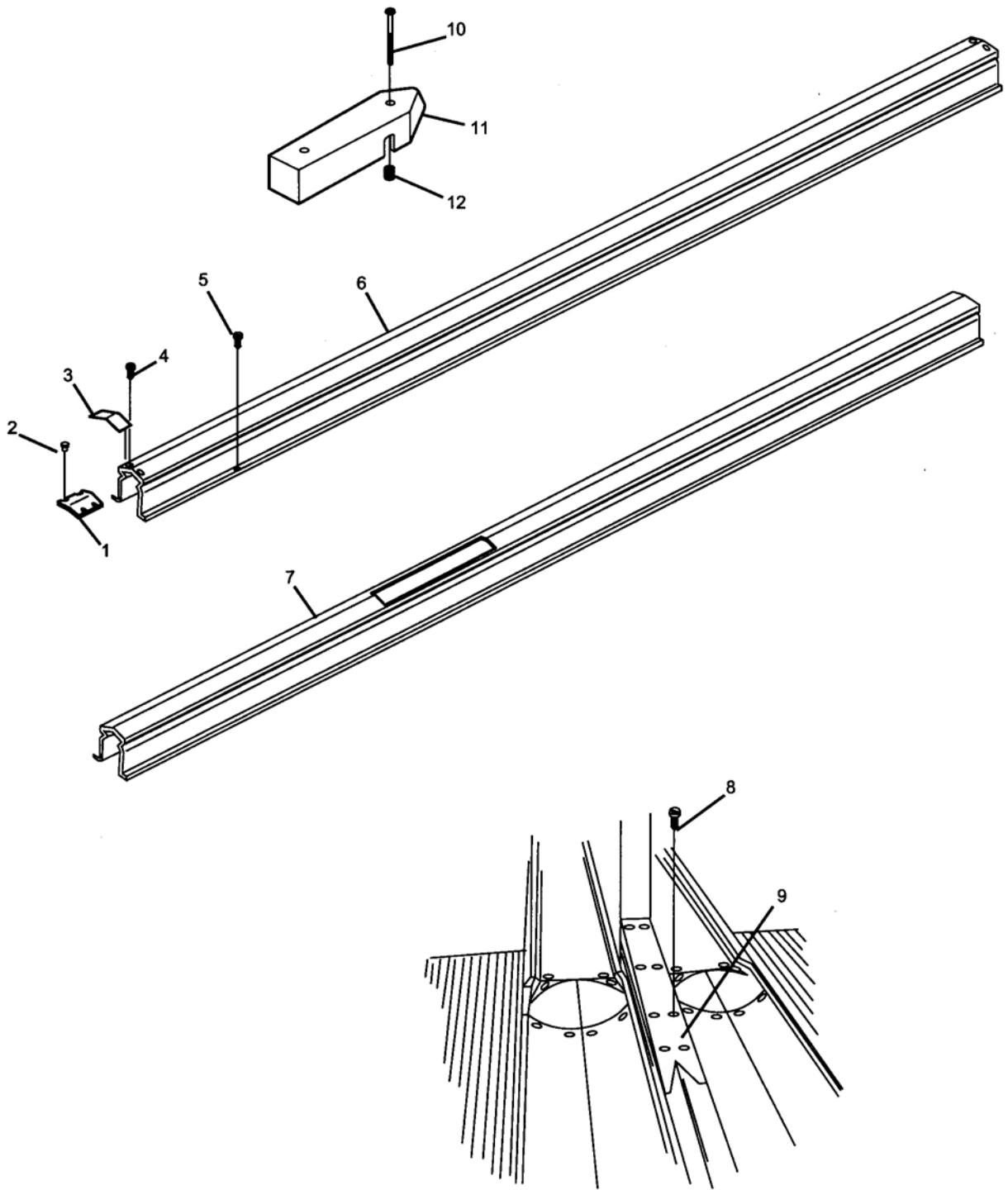
New Style V.O.S./O.U.S Subway Return Capping

Index

No.	Part No.		Description
1.	N.A.		Division Capping Coupler
2.	52-100207-000	N.A.	Grommet
3.	84-200125-000	N.A.	Vinyl Tape (2" x 9") (White)
4.	N.A.		C.R. Flat Hd. Tapping Screw (#8-18 x 3/4")
5.	N.A.		C.R. Flat Hd. Wood Screw (#8-15 x 3/4")
6.	N.A.		V.O.S. Division Capping (120") (White)
	84-860472-000	N.A.	U.O.S. Division Capping (120") (White) - Pkg. of 6
7.	N.A.		V.O.S. Division Capping w/Notch
	53-400244-000	N.A.	Division Capping w/Notch (Lt. Gray)
	N.A.		U.O.S. Division Capping w/Notch (Lt. Gray)
8.	N.A.		Flat Hd. Self Tapping Screw (#10 x 2-1/4")
9.	84-200095-000	N.A.	Division Capping Nose Block (GS-10 Pinsetter Only)
	N.A.		Division Capping Nose Block (Lt. Gray)
	N.A.		Division Capping Nose Block (Reno Blue)
10.	11-026300-004		C.R. Oval Hd. Screw (1/4-20 x 3-1/2")
11.	53-600163-000	N.A.	Cover Division Tel-E-Foul
12.	11-095008-000		Tap Lock Insert

N.A. = No Longer Available

New Style V.O.S./U.O.S. Division Capping



FOR GS-10 PINSETTERS ONLY

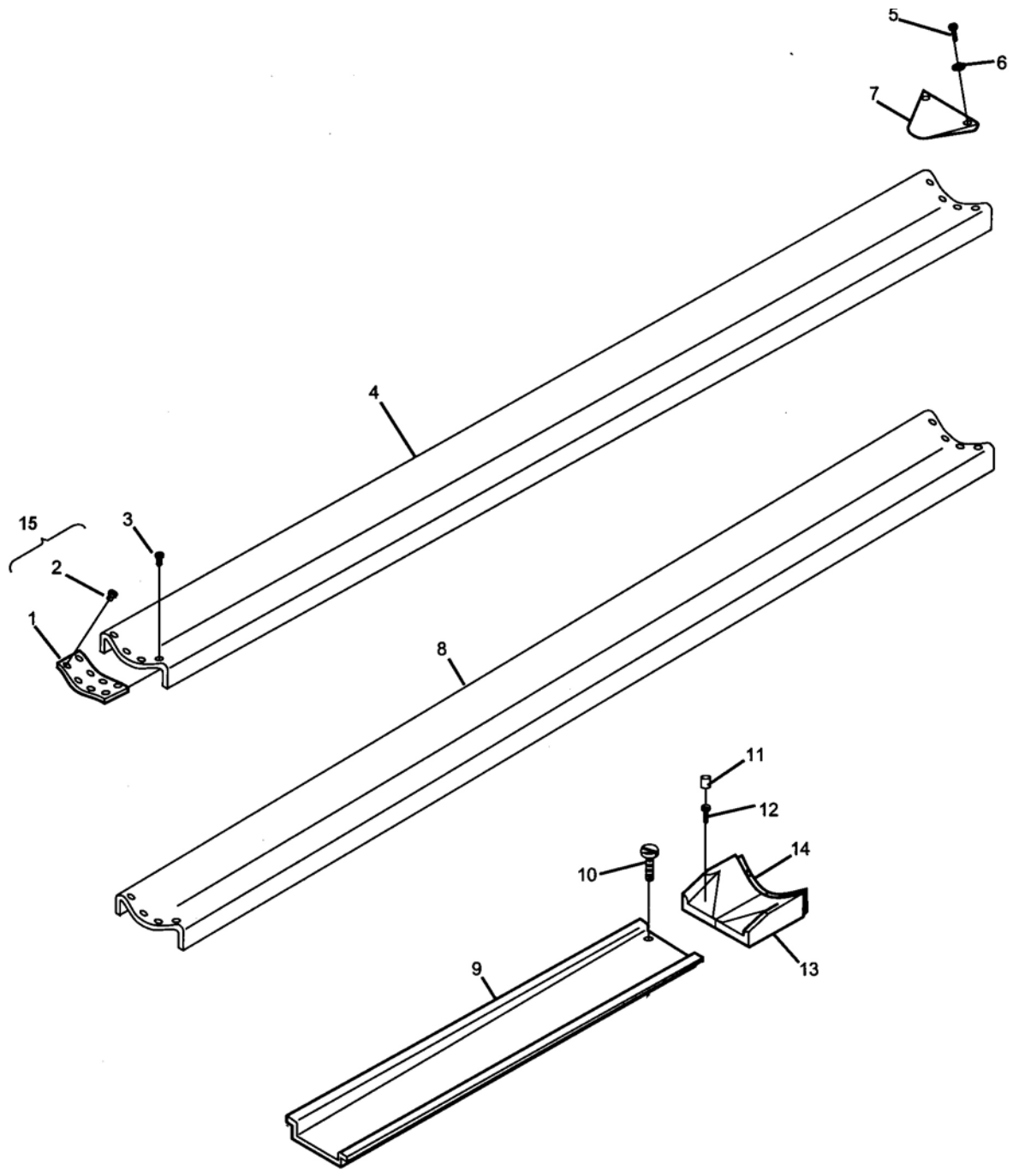
New Style V.O.S./U.O.S. Division Capping

Index

No.	Part No.		Description
1.	N.A.		Gutter Coupler (w/o Grommets)
2.	52-100207-000	N.A.	Grommet
3.	11-086365-003		C.R. Flat Hd. Tapping Screw (#8-18 x 3/4")
4.	N.A.		U.O.S. Gutter (120") (Brown)
	N.A.		V.O.S. Gutter (120") (Brown)
5.	11-086367-001		C. R. Flat Hd. Tapping Screw (#8 x 1")
6.	11-199503-003	N.A.	Countersunk Lockwasher
7.	84-200118-000	N.A.	Header Block Rubber
8.	84-300099-004	N.A.	U.O.S. Notched Gutter (Gray)
	N.A.		V.O.S. Gutter (Lt. Gray)
9.	84-860504-000		Poly Propylene Flat Gutter (1")
10.	11-084613-001		C.R. Flat Hd. Tapping Screw (#14 x 2-1/2")
11.	52-100203-000		Maple Dowel (1/2" x 1" Dia.)
12.	N.A.		C.R. Flat Hd. Screw (#12 x 1-3/4")
13.	84-200117-002		Gutter Adapter Block - left side
14.	84-200117-003		Gutter Adapter Block - right side
15.	N.A.		Gutter Coupler Assy. (w/Grommets)

N.A. = No Longer Available

**New Style V.O.S./U.O.S. "V" Gutters
And One Piece Flat Gutter**



**New Style V.O.S./U.O.S. "V" Gutters
And One Piece Flat Gutter**

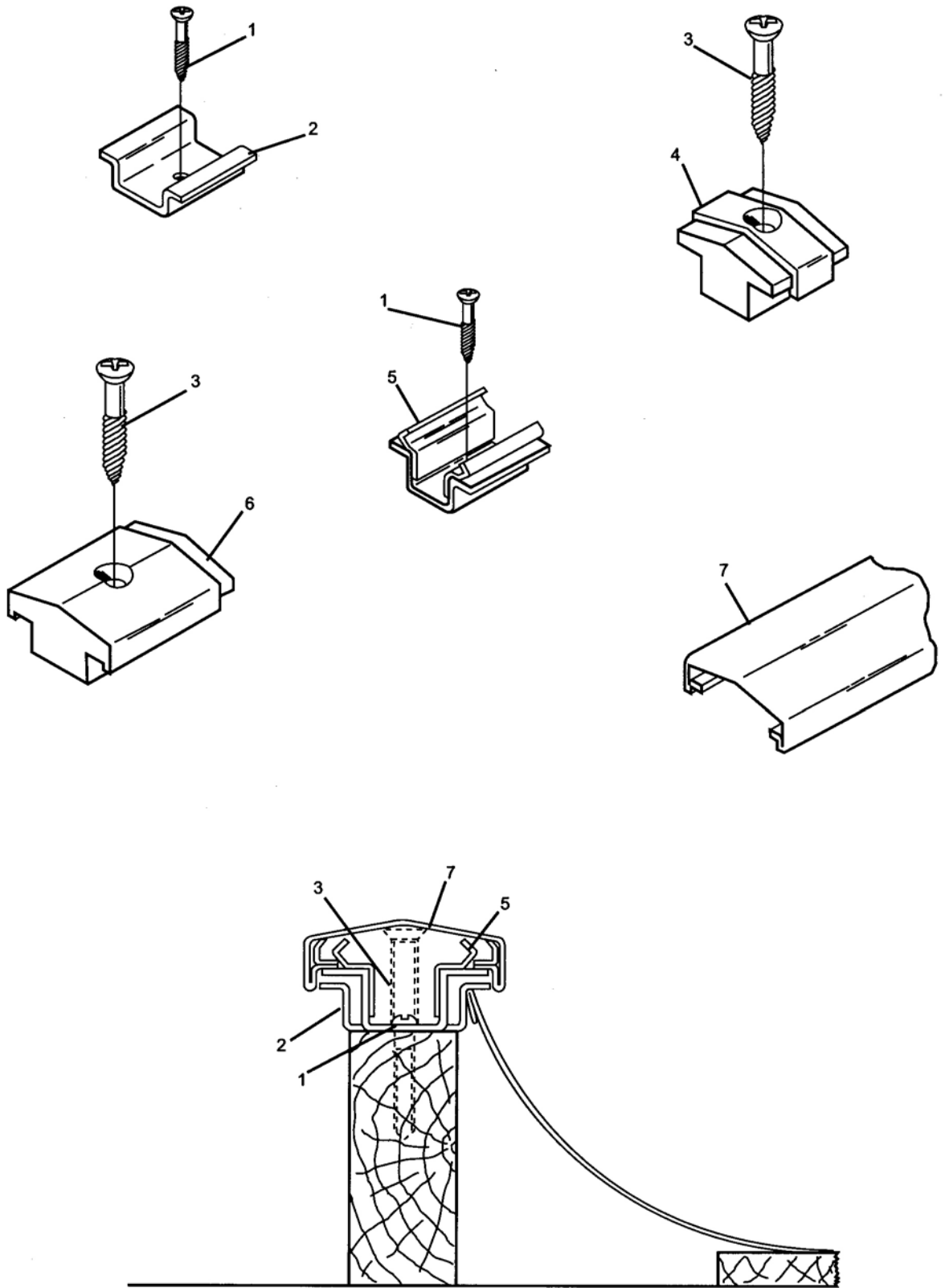
Index

No.	Part No.		Description
1.	11-042607-001	N.A.	Rd. Hd. Wood Screw (#14 x 1-1/4")
2.	53-520396-000	N.A.	Gutter Support Bracket
3.	11-043164-002	N.A.	Oval Hd. Wood Screw (#16 x 3")
	11-043164-001	R.O.	Oval Hd. Wood Screw - Zinc (#16 x 3")
4.	53-520394-000		Inline Coupling
5.	53-520397-000		Hold Down Bracket
6.	53-520394-002		End Coupling
7.	N.A.		Division Capping (White)

N.A. = No Longer Available

R.O. = Replacement Option

Old Style V.O.S. Division Capping



Old Style V.O.S. Division Capping

Index No.	Part No.	Description
1.	11-043164-001	C. R. Oval Hd. Wood Screw (#16 x 3")
2.	N.A.	End Coupling (10-1/2") - Gray
	53-520318-010	End Coupling (10-1/2") - Brown
	N.A.	End Coupling (9-1/2") - Gray
	N.A.	End Coupling (9-1/2") - Brown
3.	N.A.	Intermediate (10-1/2") - Gray
	N.A.	Intermediate (10-1/2") - Brown
	N.A.	Intermediate (9-1/2") - Gray
	N.A.	Intermediate (9-1/2") - Brown
4.	**N.A.	Approach (10-1/2") - Gray
	**N.A.	Approach (10-1/2") - Brown
	**N.A.	Approach (9-1/2") - Gray
	**N.A.	Approach (9-1/2") - Brown
5.	**N.A.	Cover Assembly - Gray
	**N.A.	Cover Assembly - Brown
6.	N.A.	Inline Coupling (10-1/2") - Gray
	53-520317-010	Inline Coupling (10-1/2") - Brown
	N.A.	Inline Coupling (9-1/2") - Gray
	53-520357-010	Inline Coupling (9-1/2") - Brown
7.	N.A.	Skin Adapter (10-1/2") - Gray
	N.A.	Skin Adapter (10-1/2") - Brown
	N.A.	Skin Adapter (9-1/2") - Gray
	N.A.	Skin Adapter (9-1/2") - Brown
8.	53-520313-000	N.A. Gutter Strap (10-1/2")
	53-520346-000	N.A. Gutter Strap (9-1/2")
9.	11-082604-001	N.A. Self Tapping C.R. Pan Hd. Screw (1/4 x 1-3/4")
10.	N.A.	Scanner w/Holes (10-1/2") - Gray
	N.A.	Scanner w/Holes (10-1/2") - Brown
	N.A.	Scanner w/Holes (9-1/2") - Gray
	N.A.	Scanner w/Holes (9-1/2") - Brown
11.	N.A.	Scanner w/o Holes (10-1/2") - Gray
	N.A.	Scanner w/o Holes (10-1/2") - Brown
	N.A.	Scanner w/o Holes (9-1/2") - Gray
	N.A.	Scanner w/o Holes (9-1/2") - Brown
12.	N.A.	Gutter Adapter
13.	N.A.	Countersunk Pop Rivet (1/8)
14.	*N.A.	Wood Header Block
	84-200603-000	N.A. Header Block
15.	N.A.	VOS Gutter (11'10") - Lap Joint Only
16.	52-100061-000	N.A. Wire Hook
17.	52-100064-000	N.A. Cork Shim

ADAPTER BLOCK

18.	N.A.	R.H. Outside - Charcoal Gray
	52-100020-600	R.H. Outside - "2000" Brown
19.	N.A.	L.H. Outside - Charcoal Gray
	52-100021-600	L.H. Outside - "2000" Brown
20.	**N.A.	R.H. Inside - Charcoal Gray
	**N.A.	R.H. Inside - "2000" Brown
21.	N.A.	L.H. Inside - Charcoal Gray
	N.A.	L.H. Inside - "2000" Brown
22.	52-100073-000	N.A. Gutter Trim
23.	N.A.	VOS Gutter (11'9") - Charcoal Gray
	N.A.	VOS Gutter (11'9") - "2000" Brown
24.	11-086365-003	Self Tapping C.R. Flat Hd. Screw (#8 x 3/4")
25.	N.A.	Inside Gutter Coupler - Charcoal Gray
	52-100067-010	N.A. Inside Gutter Coupler - "2000" Brown
26.	52-100068-000	Outside Gutter Coupler
27.	52-100207-000	N.A. Grommet Nut
28.	11-199503-003	N.A. Countersunk Lockwasher (#8)
29.	84-200603-000	N.A. Header Block
	84-200644-000	R.O. Header Block
30.	**11-676027-000	N.A. Cement (Pint)
31.	**11-676047-000	Cement (Gallon)
32.	**N.A.	VOS Modification Kit
33.	**N.A.	#13 x 3/4" Nail (Lb.)

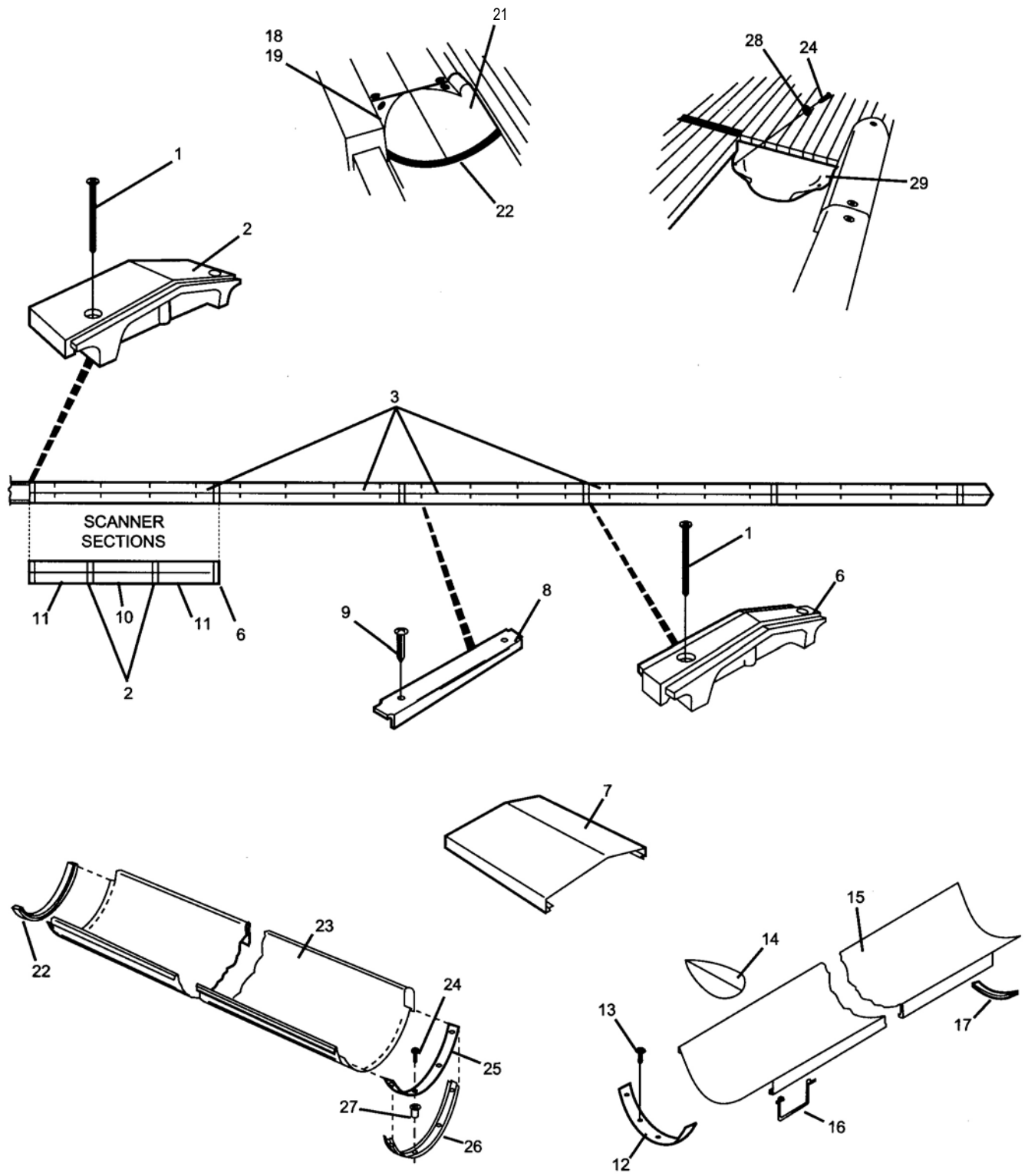
N.A. = No Longer Available

R.O. = Replacement Option

* 84-200603-000 Rubber Header Block must be used in place of the wood style block. Use 2 each 11-086365-003 Screws and 2 each Countersunk Lockwashers #8 type, to secure Rubber Block to VOS Gutter. Use the Block as a template to locate and drill two .128" diameter holes in gutter.

** Not Illustrated

V.O.S. Round Gutters & Subway Return VOS Capping



V.O.S. Round Gutters &
Subway Return VOS Capping

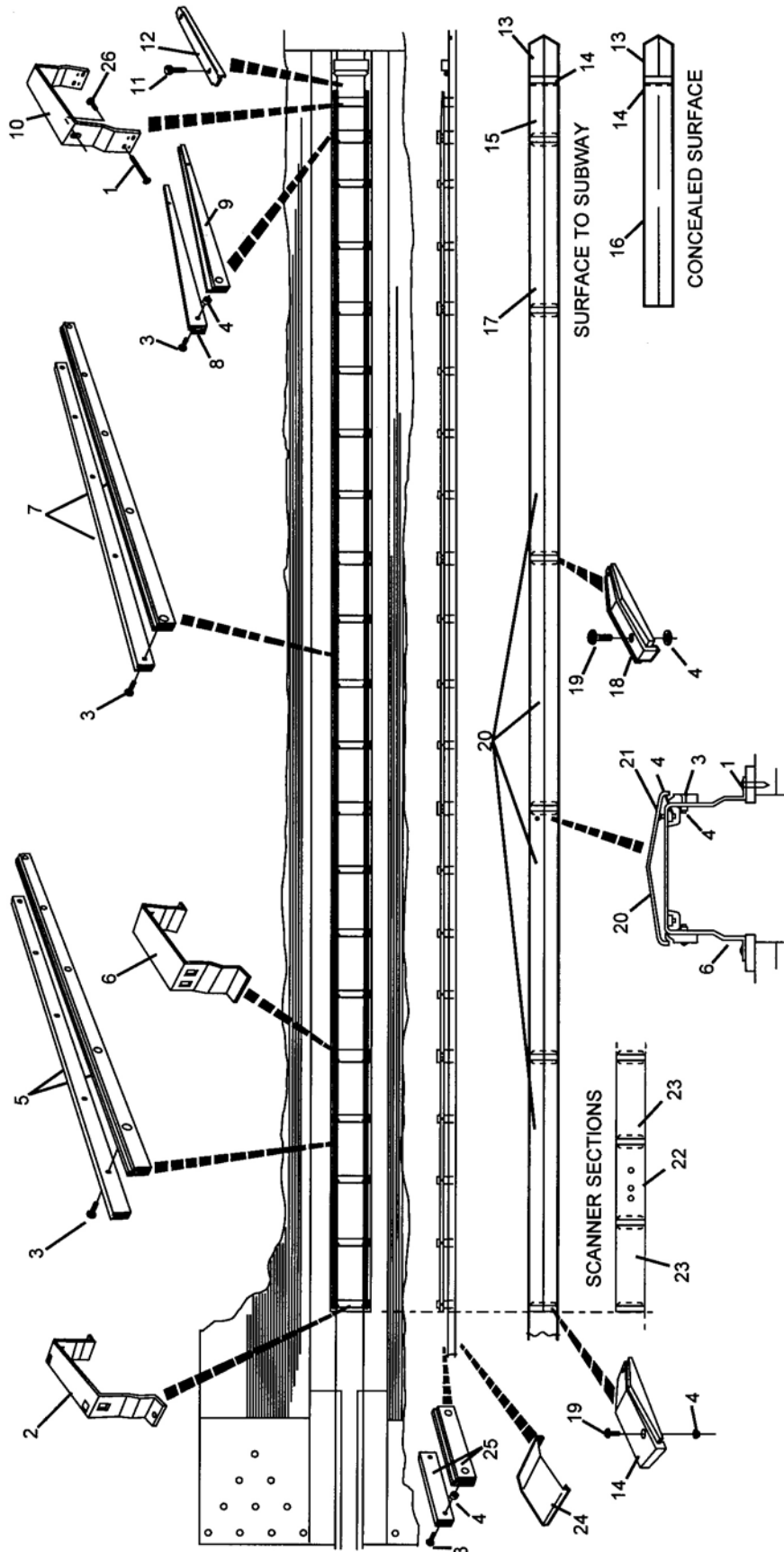
Index

No.	Part No.		Description
1.	11-042607-001	N.A.	C. R. Rd. Hd. Wood Screw (#14 x 1-1/4")
2.	53-520364-000	N.A.	Intermediate Support Bracket (10-1/2")
	53-520349-000		Intermediate Support Bracket (9-1/2")
3.	11-014152-002		C.R. Flat Hd. Machine Screw (1/4-20 x 1-1/4")
4.	11-179026-000	N.A.	Grip Nut (1/4-20)
5.	N.A.		Side Rail (134") - Gray (10-1/2")
	N.A.		Side Rail (134") - Brown (10-1/2")
	N.A.		Side Rail (134") - Gray (9-1/2")
	N.A.		Side Rail (134") - Brown (9-1/2")
6.	N.A.		Coupling Support Bracket (10-1/2")
	N.A.		Coupling Support Bracket (9-1/2")
7.	N.A.		Side Rail (129") - Gray (10-1/2")
	N.A.		Side Rail (129") - Brown (10-1/2")
	N.A.		Side Rail (129") - Gray (9-1/2")
	N.A.		Side Rail (129") - Brown (9-1/2")
8.	N.A.		Tapered Side Rail - Gray (10-1/2")
	N.A.		Tapered Side Rail - Brown (10-1/2")
	N.A.		Tapered Side Rail - Gray (9-1/2")
	N.A.		Tapered Side Rail - Brown (9-1/2")
9.	N.A.		Tapered Side Rail - Gray (10-1/2")
	N.A.		Tapered Side Rail - Brown (10-1/2")
	N.A.		Tapered Side Rail - Gray (9-1/2")
	N.A.		Tapered Side Rail - Brown (9-1/2")
10.	N.A.		Front Support Bracket (10-1/2")
	N.A.		Front Support Bracket (9-1/2")
11.	11-082604-001	N.A.	Self Tapping C.R. Pan Hd. Screw (1/4 x 1-3/4")
12.	53-520313-000	N.A.	Gutter Strap (10-1/2")
	53-520346-000	N.A.	Gutter Strap (9-1/2")
13.	N.A.		Cover Assembly - Gray
	N.A.		Cover Assembly - Brown
14.	N.A.		End Coupling - Gray (10-1/2")
	N.A.		End Coupling - Brown (10-1/2")
	N.A.		End Coupling - Gray (9-1/2")
	N.A.		End Coupling - Brown (9-1/2")
15.	N.A.		Approach Capping - Gray (10-1/2")
	N.A.		Approach Capping - Brown (10-1/2")
	N.A.		Approach Capping - Gray (9-1/2")
	N.A.		Approach Capping - Brown (9-1/2")
16.	N.A.		Approach Capping - Gray (10-1/2")
	N.A.		Approach Capping - Brown (10-1/2")
	N.A.		Approach Capping - Gray (9-1/2")
	N.A.		Approach Capping - Brown (9-1/2")
17.	N.A.		Intermediate (85") - Gray (10-1/2")
	N.A.		Intermediate (85") - Brown (10-1/2")
	N.A.		Intermediate (85") - Gray (9-1/2")
	N.A.		Intermediate (85") - Brown (9-1/2")
18.	N.A.		Inline Coupling - Gray (10-1/2")
	53-520370-010	N.A.	Inline Coupling - Brown (10-1/2")
	N.A.		Inline Coupling - Gray (9-1/2")
	53-520357-010	N.A.	Inline Coupling - Brown (9-1/2")
19.	11-026289-011	N.A.	C.R. Oval Hd. Machine Screw (1/4-20 x 1")
20.	N.A.		Intermediate (128") - Gray (10-1/2")
	N.A.		Intermediate (128") - Brown (10-1/2")
	N.A.		Intermediate (128") - Gray (9-1/2")
	N.A.		Intermediate (128") - Brown (9-1/2")
21.	N.A.		C.R. Oval Hd. Machine Screw (1/4-20 x 1-1/4")
22.	N.A.		Scanner w/Holes - Gray (10-1/2")
	N.A.		Scanner w/Holes - Brown (10-1/2")
	N.A.		Scanner w/Holes - Gray (9-1/2")
	N.A.		Scanner w/Holes - Brown (9-1/2")
23.	N.A.		Scanner w/o Holes - Gray (10-1/2")
	N.A.		Scanner w/o Holes - Brown (10-1/2")
	N.A.		Scanner w/o Holes - Gray (9-1/2")
	N.A.		Scanner w/o Holes - Brown (9-1/2")
24.	N.A.		Skin Adapter - Gray (10-1/2")
	N.A.		Skin Adapter - Brown (10-1/2")
	N.A.		Skin Adapter - Gray (9-1/2")
	N.A.		Skin Adapter - Brown (9-1/2")
25.	N.A.		Side Rail (8-1/2") - Gray (10-1/2")
	N.A.		Side Rail (8-1/2") - Brown (10-1/2")
	N.A.		Side Rail (8-1/2") - Gray (9-1/2")
	N.A.		Side Rail (8-1/2") - Brown (9-1/2")
26.	11-082092-001		Self Tapping C.R. Rd. Hd. Screw (#10 x 1/2")

N.A. = No Longer Available

NOTE: Surface to subway capping is notched.

**V.O.S./U.O.S. Capping For Surface To Subway
& Concealed Surface**



V.O.S./U.O.S. Capping For Surface To Subway
& Concealed Surface

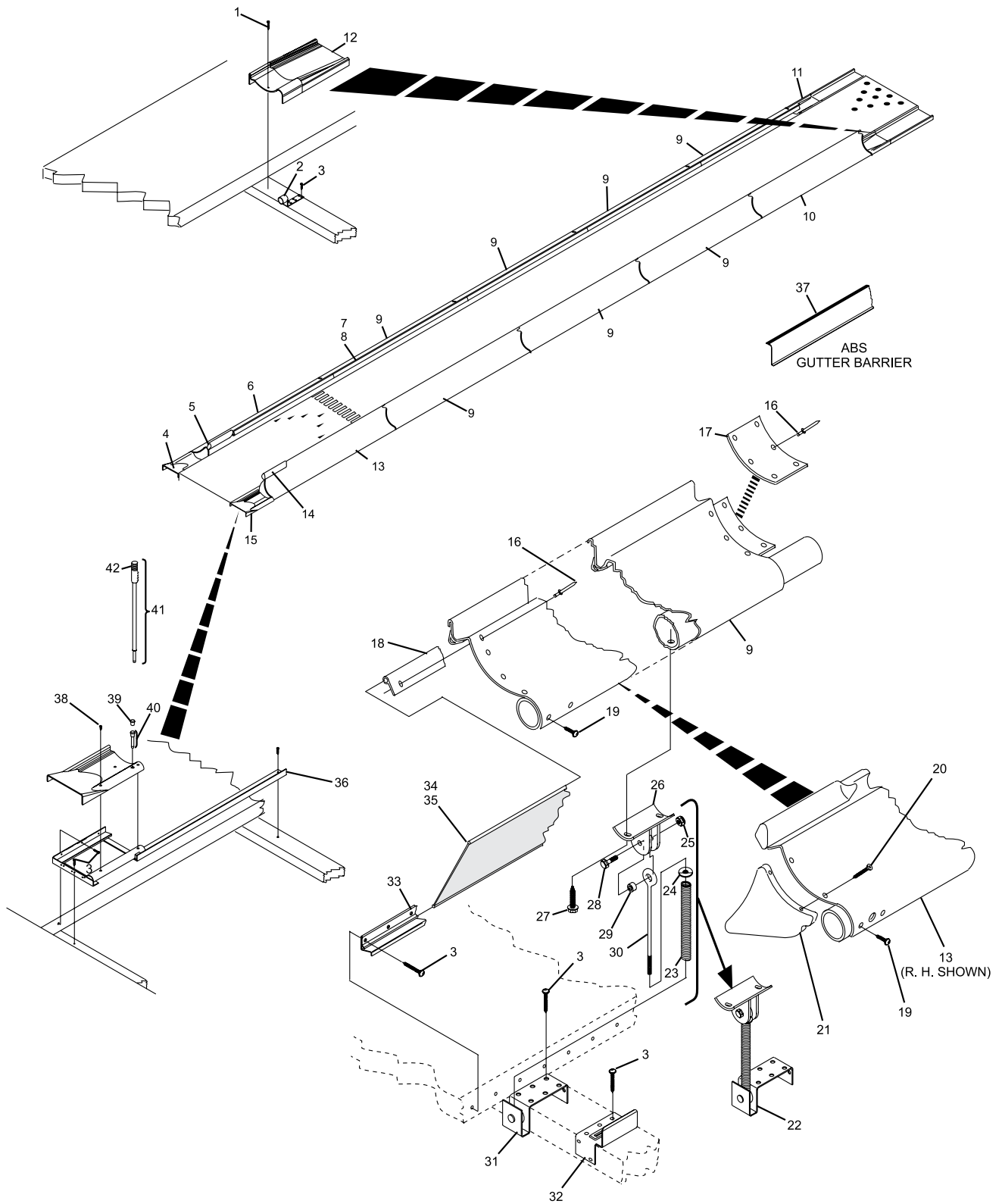
Index

No.	Part No.	Description
1.	11-081202-000	Robertson Drive Screw (#1/4-10 x 3-1/2")
2.	17-300141-000	N.A. End Pivot
3.	11-081205-000	AB Robertson Screw #10-32 x 1-3/4"
4.	17-300177-000	N.A. L.H. Header Section (Black)
5.	17-300164-000	L.H. Corner Protector
6.	17-300154-000	N.A. L.H. #1 Gutter Assembly
7.	11-676149-000	N.A. Glue for 45' Bumper Cushion - 100 Grams
8.	17-300179-020	N.A. Bumper Cushion
9.	17-300155-000	N.A. Intermediate Gutter Assembly
10.	17-300157-000	N.A. R.H. Pit End Gutter Assembly
11.	17-300175-000	N.A. L.H. Transition
12.	17-300174-000	N.A. R.H. Transition
13.	17-300156-000	N.A. R.H. #1 Gutter Assembly
14.	17-300167-000	R.H. Corner Protector
15.	17-300176-000	N.A. R.H. Header Section (Black)
16.	11-293513-000	N.A. Stainless Steel Rivets - Black (1/8" x 3/8")
17.	17-300132-000	N.A. Gutter Coupler
18.	17-300135-000	Curtain Extrusion
19.	11-081206-000	Truss Hd. Cutting Screw (#10 x 5/8")
20.	11-086369-001	F.H.C.R. Screw (#8-18 x 1-1/2")
21.	17-300181-000	Foul Line End Cap
22.	17-300150-000	N.A. Pivot Bracket Assembly
23.	N.A.	Spring
24.	11-190010-001	Flat Washer (1/4)
25.	11-170007-001	Hex. Nut (#1/4" x 20)
26.	N.A.	Lever
27.	11-010907-001	Self-Tapping HSMS (#14 x 3/4")
28.	11-001184-001	Hex. Hd. Screw (1/4"-20 x 1")
29.	17-300068-000	N.A. Spacer
30.	N.A.	Spring Rod
31.	17-300126-000	N.A. Pivot Bracket w/Pivot
32.	17-300122-001	N.A. Hinge Bracket
33.	17-300193-000	N.A. Gutter Support
34.	17-300078-000	Graphic Curtain (pair) - Characters
	17-300076-002	N.A. L.H. Graphic Curtain (Rainbow)
	17-300076-003	Graphic Curtain (Black)
	17-300076-004	N.A. Blank White Curtain (No Graphic)
	17-300076-005	N.A. R.H. Graphic Curtain (Rainbow)
35.	17-300182-000	N.A. Small Ball (4-3/4") Graphic Curtain (Black Only)
36.	17-300186-000	N.A. R.H Header Bracket Assembly
	*17-300183-000	N.A. L.H. Header Bracket Assembly
37.	84-860564-000	Division Capping Barrier - ABS Gutters only
38.	11-014061-009	N.A. C.R. Screw (#8-32 x 5/16")
39.	17-300189-002	Grip
40.	17-300189-000	Pin Assembly
41.	17-300093-000	N.A. Rod Assembly
42.	17-300093-001	N.A. Rod Grip

N.A. = No Longer Available

* Not Illustrated

ABS Gutters/Ball Wall - Manual Configuration



ABS Gutters/Ball Wall - Manual Configuration

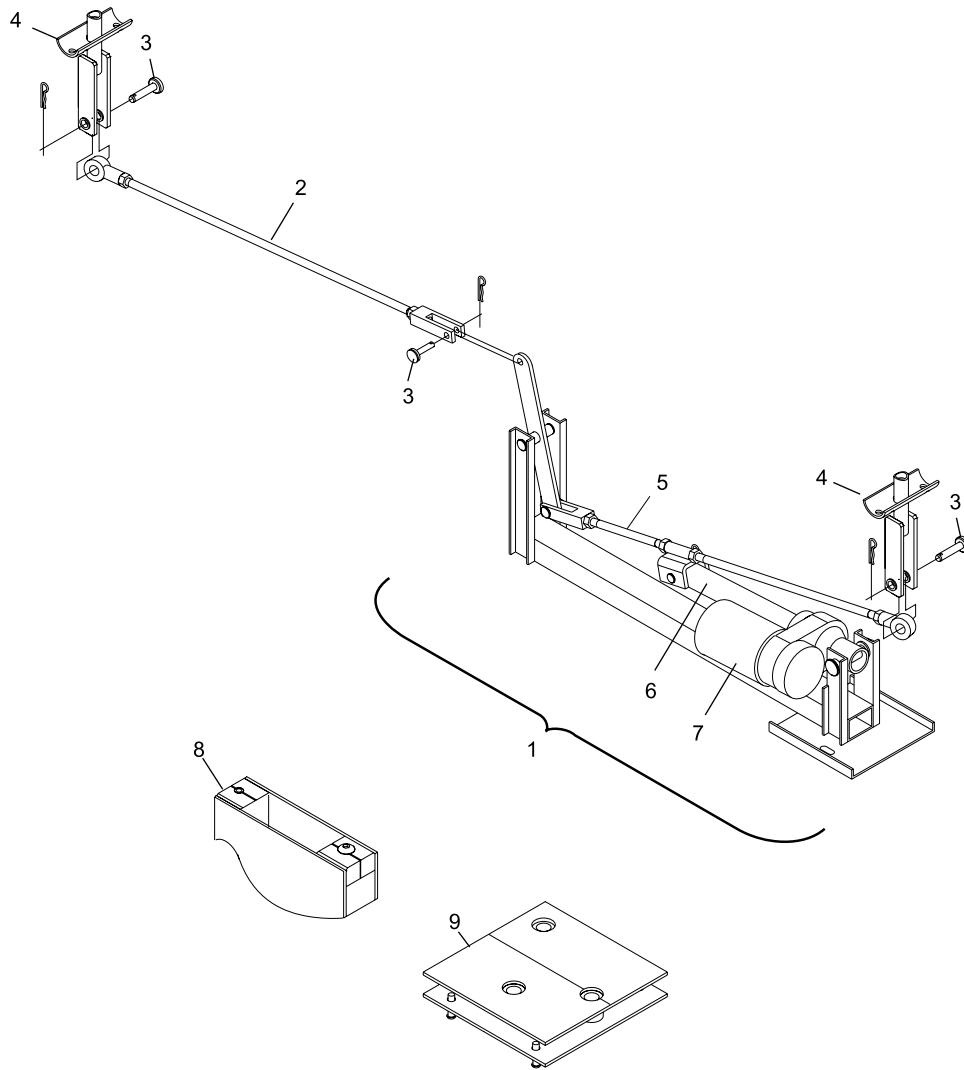
Index

No.	Part No.		Description
1.	17-300224-115	N.A.	Actuator Assembly - 115VAC
	17-860781-115	R.O.	Ball Wall Motor Assembly - 115VAC
	17-300224-230	N.A.	Actuator Assembly - 230VAC
	17-860781-230	R.O.	Ball Wall Motor Assembly - 230VAC
2.	17-300216-000		L.H. Connecting Link Assembly
3.	17-300245-000	N.A.	Clevis Pin
4.	17-300264-000	N.A.	Gutter Pivot Assembly
5.	17-300210-000	R.H.	Connecting Link Assembly
6.	17-860780-000	N.A.	Sleeve
7.	17-860781-115		Motor - 115 VAC
	17-860781-230		Motor - 230 VAC
8.	N.A.		Gutter Drill Jig
9.	N.A.		Concrete Drill Jig

N.A. = No Longer Available

R.O. = Replacement Option

ABS Gutters/Ball Wall - Automated Bumper System



ABS Gutters/Ball Wall - Automated Bumper System

Index

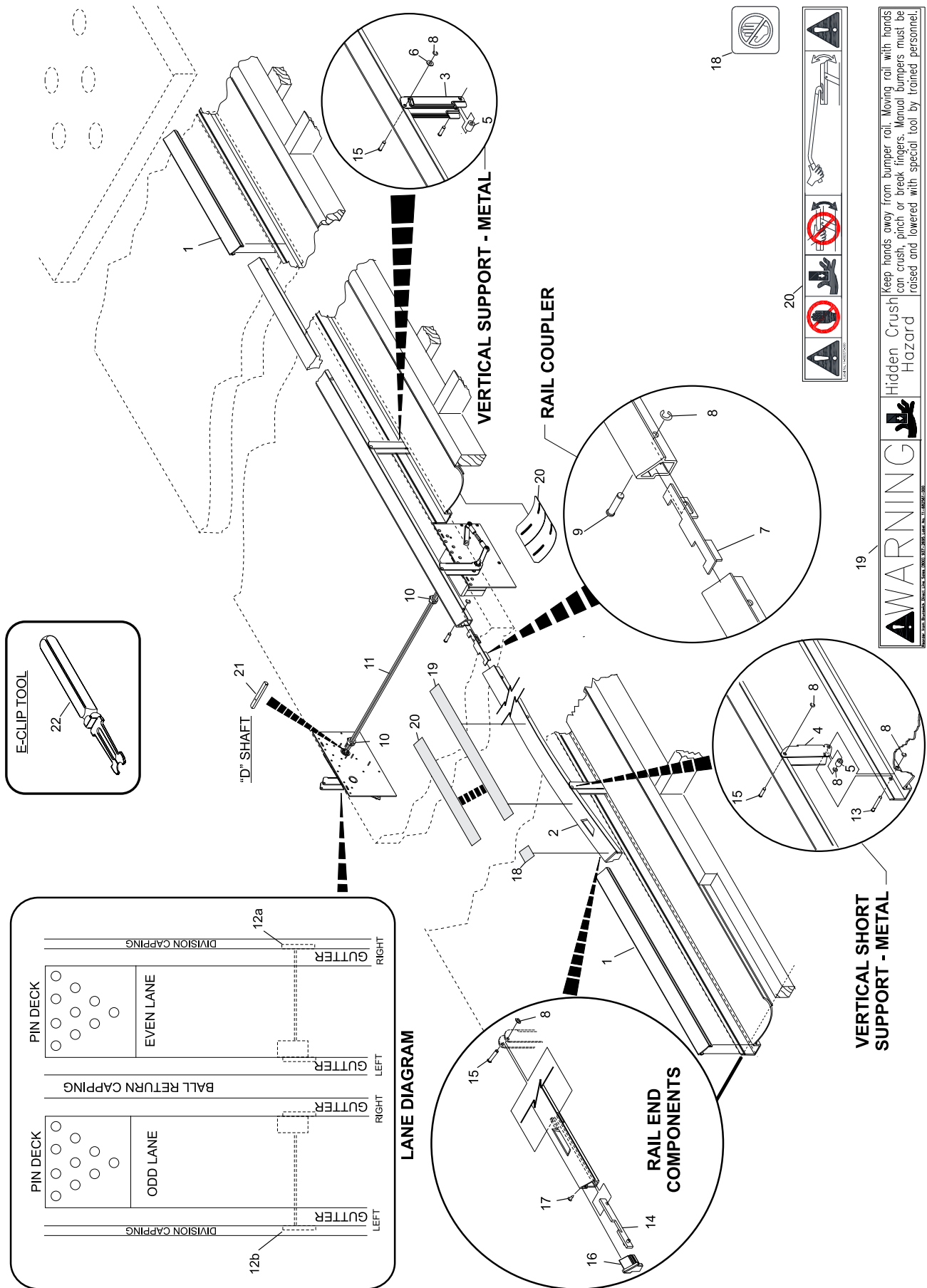
No.	Part No.	Description
1.	84-200465-xxx	Cosmetic Cover (31.25")
2.	84-860689-000	N.A. Pkg. Rails Vertical Support and Hardware - Foul End
	*84-200452-xxx	L.H. Foul End Rail
	*84-200453-xxx	R.H. Foul End Rail
	*84-200451-xxx	L.H. & R.H. Common Rail
	*84-200478-xxx	L.H. Pinsetter End Rail
	*84-200479-xxx	R.H. Pinsetter End Rail
3.	84-860719-000	Pkg of 28 - Metal Vertical Support w/Washers and Rubber Bushings
	84-860454-001	Vertical Support - Lexan (right side of lane)
	84-200454-002	Vertical Support - Lexan (left side of lane)
4.	84-860733-000	Short Vertical (first) Support Pkg. (lane pair)
5.	84-200487-000	Noise Reducing Bushing
6.	11-190509-001	Flat Washer
7.	84-200457-000	Rail Coupler
8.	11-537050-000	Retaining Ring
9.	84-200458-003	Rail Coupler Pin (1-1/16" length)
10.	84-200542-000	Shaft Collar PBW I
11.	84-200515-000	Cross Lane Link PBW I
12a.	84-860645-001	Driven Pivot Assembly w/o Motor (right-hand side of even lane) PBW I
12b.	84-860645-002	Driven Pivot Assembly w/o Motor (left-hand side of odd lane) PBW I
13.	84-200459-000	Gutter Arm Pin (2" length)
14.	84-200460-000	End Rail Insert
15.	84-200458-001	Rail Arm Pin (1-1/4" length)
16.	84-200463-001	R.H. Rail Plug (Pkg. of 10) - black
	84-200463-002	L.H. Rail Plug (Pkg. of 10)- black
17.	11-082390-000	N.A. Screw (#8-18 x 1/2")
18.	**84-200488-xxx	Safety Warning Label 2
19.	**11-682561-000	Safety Warning Label 1 - Call for details in language
20.	84-200462-000	Gutter Coupler
21.	84-200513-000	"D" Shaft (non-pivot side)
22.	84-200472-000	E-Clip Installation Tool
23.	11-682573-000	Warning Label, Gutter Rail (Pictogram)

N.A. = No Longer Available

** Color Chart*

Part No.Suffix	Color
-000	BLACK
-100	DARK GRAY
-142	MEDIUM GRAY

**** Safety warning label 84-200488-xxx and 11-682561-000 have been replaced with label 11-682573-000 index 23.**



**Pinball Wizard I Gutters -
Automated Bumpers System**

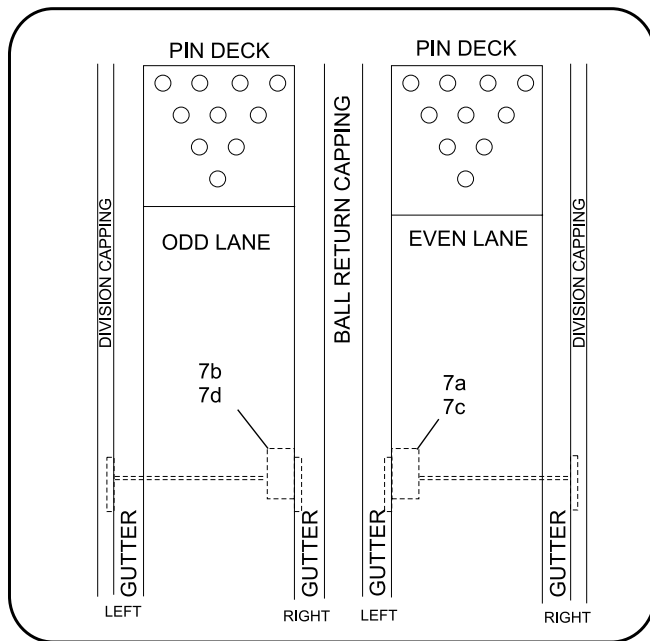
Index

No.	Part No.	Description
1.	84-860650-115	Motor 115VAC PBW I
	84-860650-230	Motor 230VAC PBW I
2.	84-860648-000	Side Plate PBW I - Odd Lane
	84-860649-000	Side Plate PBW I - Even Lane
3.	11-616020-000	Switch - SPDT Roller Lever PBW I
4.	84-860647-000	Actuator Arm (includes Flat Washer 11-191014-001) PBW I
5.	**84-200540-000	Assembly, Crank PBW I, Odd Lane Drive
6.	84-200519-000	Turnbuckle Assembly PBW I
7a.	*84-860644-115	Drive Pivot Assembly w/Motor - 115VAC PBW I
7b.	*84-860643-115	Drive Pivot Assembly w/Motor - 115VAC PBW I
7c.	*84-860644-230	Drive Pivot Assembly w/Motor - 230VAC PBW I
7d.	*84-860643-230	Drive Pivot Assembly w/Motor - 230VAC PBW I
8.	84-200523-000	Cam

* See Lane Diagram on page 21D.

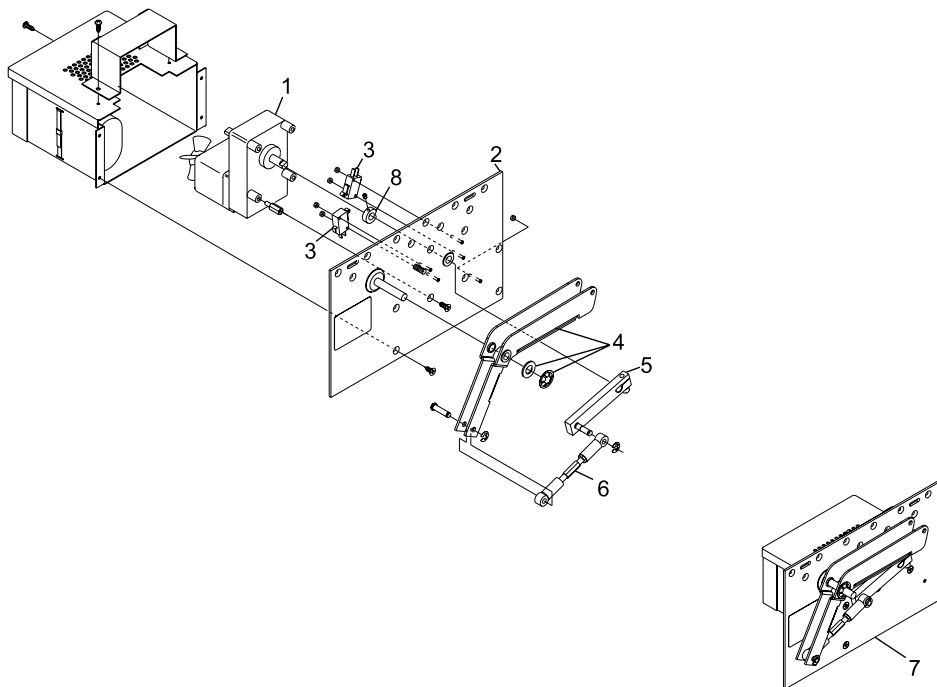
**Odd Lane Drive, Even Slave not illustrated

Pinball Wizard I Motor



LANE DIAGRAM

PINBALL WIZARD I MOTOR



Pinball Wizard I Motor

Index

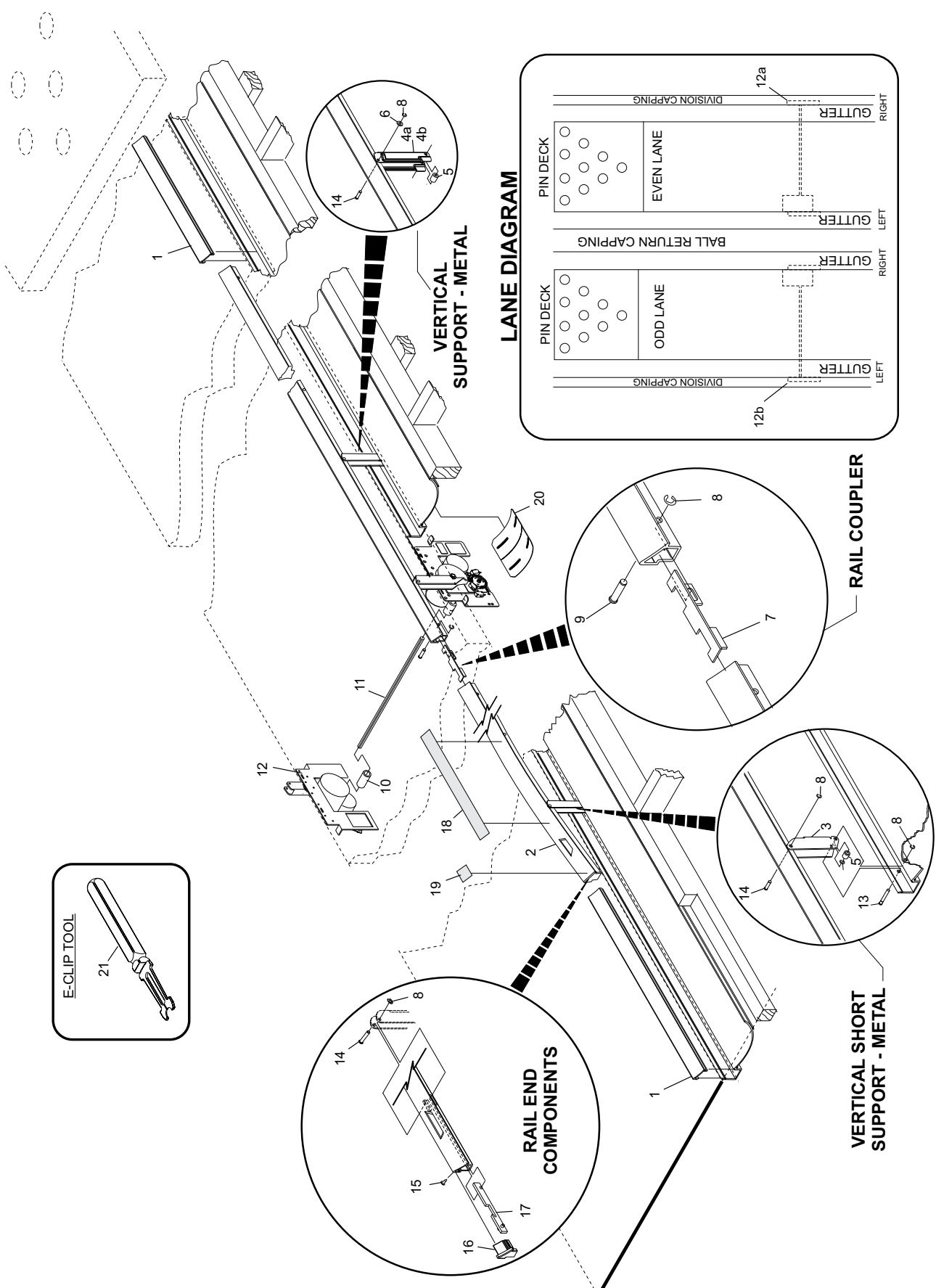
No.	Part No.	Description
1.	*84-200465-xxx	Cosmetic Cover 31.25" long (Dark Gray)
2.	84-860689-000	N.A. Pkg. Rails Vertical Support and Hardware - Foul End
	*84-200452-xxx	L.H. Foul End Rail (Dark Gray)
	*84-200453-xxx	R.H. Foul End Rail (Dark Gray)
	*84-200451-xxx	L.H. & R.H. Common Rail (Dark Gray)
	*84-200478-xxx	L.H. Pinsetter End Rail
	*84-200479-xxx	R.H. Pinsetter End Rail
3.	84-860733-000	Short Vertical (first) Support Pkg. (lane pair)
4a.	84-860719-000	Vertical Support Kit w/Pads - Metal (includes 28 Metal Supports, 30 Bushings, 30 Washers, 5 Retaining Rings)
4b.	84-860909-000	Vertical Support - Small Ball (Candlepin/Duckpin), (Pkg. of 60)
5.	84-200487-000	Noise Reducing Bushing
6.	11-190509-001	Flat Washer
7.	84-200457-000	Rail Coupler
8.	11-537050-000	Retaining Ring
9.	84-200458-003	Rail Coupler Pin (1-1/16" length)
10.	84-200582-000	Shaft Coupler PBW II
11.	84-200584-000	Cross Lane Link PBW II
12a.	**84-200602-001	Driven Pivot Assembly w/o Motor (right-hand side of even lane) PBW II
12b.	**84-200602-002	Driven Pivot Assembly w/o Motor (left-hand side of odd lane) PBW II
13.	84-200459-000	Gutter Arm Pin (2" length)
14.	84-200458-001	Rail Arm Pin (1-1/4" length)
15.	11-082390-000	N.A. Screw (#8-18 x 1/2")
16.	84-200463-001	R.H. Rail Plug (Pkg. of 10) - black
	84-200463-002	L.H. Rail Plug (Pkg. of 10)- black
17.	84-200460-000	End Rail Insert
18.	11-682561-000	Safety Warning Label 1- Call for details in language
19.	84-860747-002	Safety Warning Label 2
20.	84-200462-000	Gutter Coupler
21.	84-200472-000	E-Clip Installation Tool

N.A. = No Longer Available

Part No.	Division Capping Color Strips
-220	BLUEBERRY
-221	KIWI
-222	CRANBERRY
-223	GRAPE
-224	BANANA
-225	STRAWBERRY

** See Lane Diagram on page 23D

**Pinball Wizard II Gutters -
Automated Bumpers System**



**Pinball Wizard II Gutters -
Automated Bumpers System**

Index

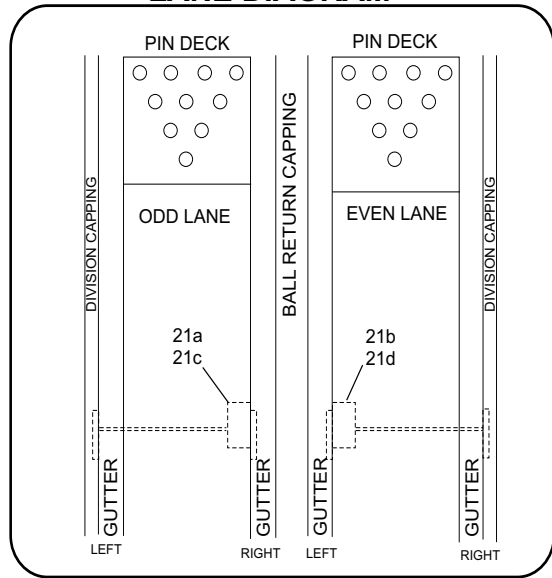
No.	Part No.	Description
1.	84-200582-000	Coupler Clamp (1-1/8 x 1-3/4)
2.	17-200162-000	Output Shaft
3.	17-200161-000	Keys
4.	17-200159-000	Large Gears
5.	17-200160-000	Small Output Gear
6.	11-050003-000	Woodruff Key (1/8 x 1/2) PBW II
7.	84-200582-000	Shaft Coupler (1-1/8 x 1-3/4) PBW II
8.	84-200585-000	Spring PBW II
9a.	84-860726-000	Actuator Arm Pkg. - includes pin, e-ring, and instructions
9b.	84-200921-000	Actuator Arm w/Bearing for Small Ball (Arm only)
10.	84-200643-115	N.A. Motor 115VAC PBW II
	84-860899-115	R.O. Pkg. Motor 115VAC PBW II - motor only
	84-200643-230	N.A. Motor 230VAC PBW II
	84-860899-230	R.O. Motor 230VAC PBW II - motor only
11.	84-200580-001	Side Plate PBW II - for index numbers 21a & 21c
	84-200580-002	Side Plate PBW II - for index numbers 21b & 21d
12.	11-612155-000	Terminal - Faston Female
13.	11-012009-001	N.A. Pan Head C.R. Screw (#4-40 x 3/4") PBW II
14.	84-200588-001	N.A. Pivot Plate PBW II - for index numbers 21a & 21c
	84-200588-002	N.A. Pivot Plate PBW II - for index numbers 21b & 21d
15.	84-200583-000	Spur Gear (20 °) PBW II
16.	11-530017-001	Retaining Ring PBW II
17.	11-010782-000	Hex Head Screw (1/4-20 x 1/2") PBW II
18.	11-421015-000	Flanged Bearing PBW II
19.	11-192570-000	Shim Washer (1/2 x 7/8 x .048) PBW II
20.	11-050003-000	Woodruff Key (1/8 x 1/2) PBW II
21a.	*84-200600-115	Drive Pivot Assembly w/Motor - 115VAC PBW II
21b.	*84-200601-115	Drive Pivot Assembly w/Motor - 115VAC PBW II
21c.	*84-200600-230	Drive Pivot Assembly w/Motor - 230VAC PBW II
21d.	*84-200601-230	Drive Pivot Assembly w/Motor - 230VAC PBW II
22.	84-860681-001	L.H. External Timing Switch package PBW II - Order per lane Pair
	84-860681-002	R.H. External Timing Switch package PBW II - Order per lane Pair
	84-860068-001	External Timing Switch package - Order per lane Pair
23.	84-200458-005	Actuator Arm Pin (1.31" length)
24.	11-053584-000	Micro Switch - N.O.
	84-860101-000	Package of 2 - Micro Switch - N.O. And 11-612155-000, Terminal - Faston Female (Index 12)
25.	84-200733-000	Cam Gear
26.	84-860900-000	L.H. Up/Down Switch Plate
	84-860901-000	R.H. Up/Down Switch Plate
27.	11-420095-000	Bearing
28.	11-012349-001	Pan Head C.R. Screw (#10-32) (Apply Loctite)
29.	11-190006-001	Flat Washer (#10)
30.	84-200752-000	Bushing

N.A. = No Longer Available

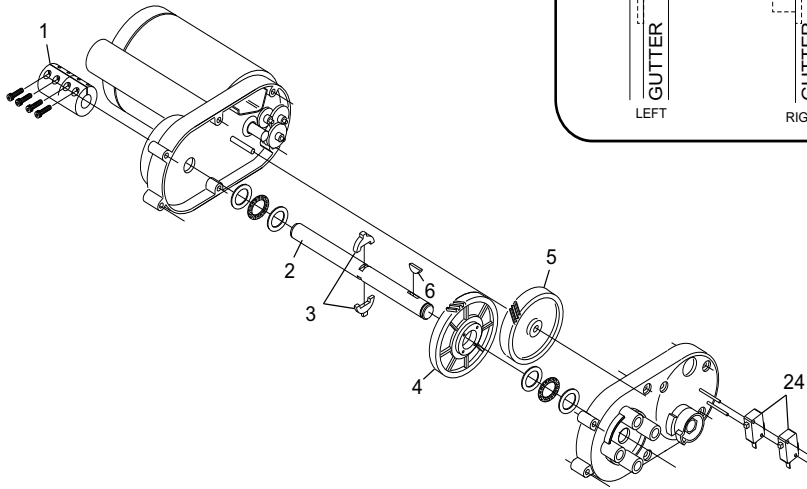
* See Lane Diagram on page 25D

Pinball Wizard II Motor Version I & II

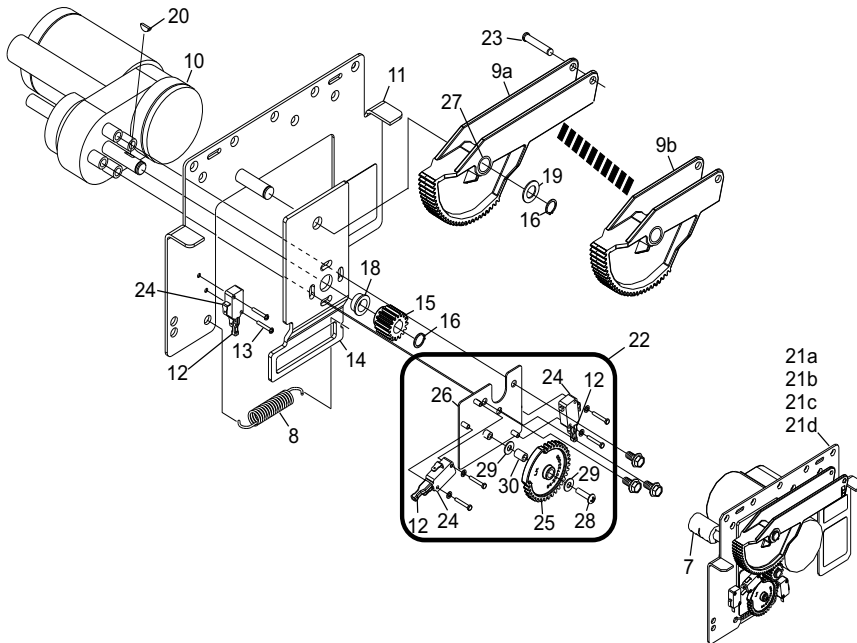
LANE DIAGRAM



PINBALL WIZARD II MOTOR VERSION I



PINBALL WIZARD II MOTOR VERSION II



Pinball Wizard II Motor Version I & II

Index

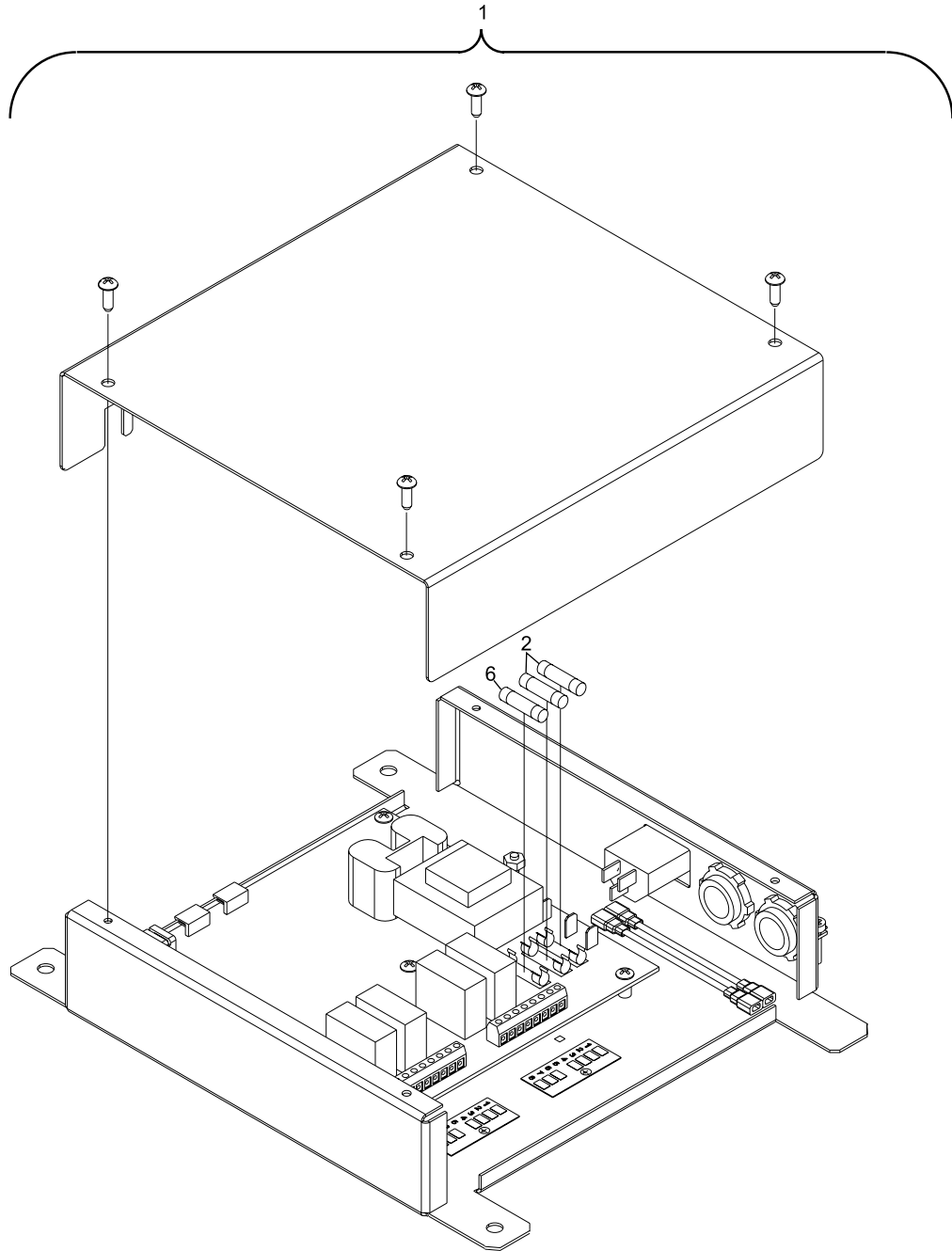
No.	Part No.		Description
1.	17-860783-402	N.A.	Automated Bumper Controller
	17-860801-402	R.O.	Automated Bumper Controller Pkg.
2.	*57-861638-000		Motor Fuses - 1.6 Amp, 250V Slow Blow - Pkg. of 4 - (115VAC only)
	*57-861619-000		Motor Fuses - .8 Amp, 250V Pkg. of 4 - (230VAC only)
3.	*17-860800-000		Scoring to Bumper Control Cable Assembly
4.	*57-863244-000		RS232/458 Converter Cable w/Power
5.	*17-860798-000		Enclosure Control Box
6.	17-860796-000		Circuit Board Fuses .25 Amp, 250V Slow Blow - Pkg. of 4

N.A. = No Longer Available

R.O. = Replacement Option

* Not Illustrated

**Automated Bumper Controller PCB
(BallWall/Pinball Wizard)**

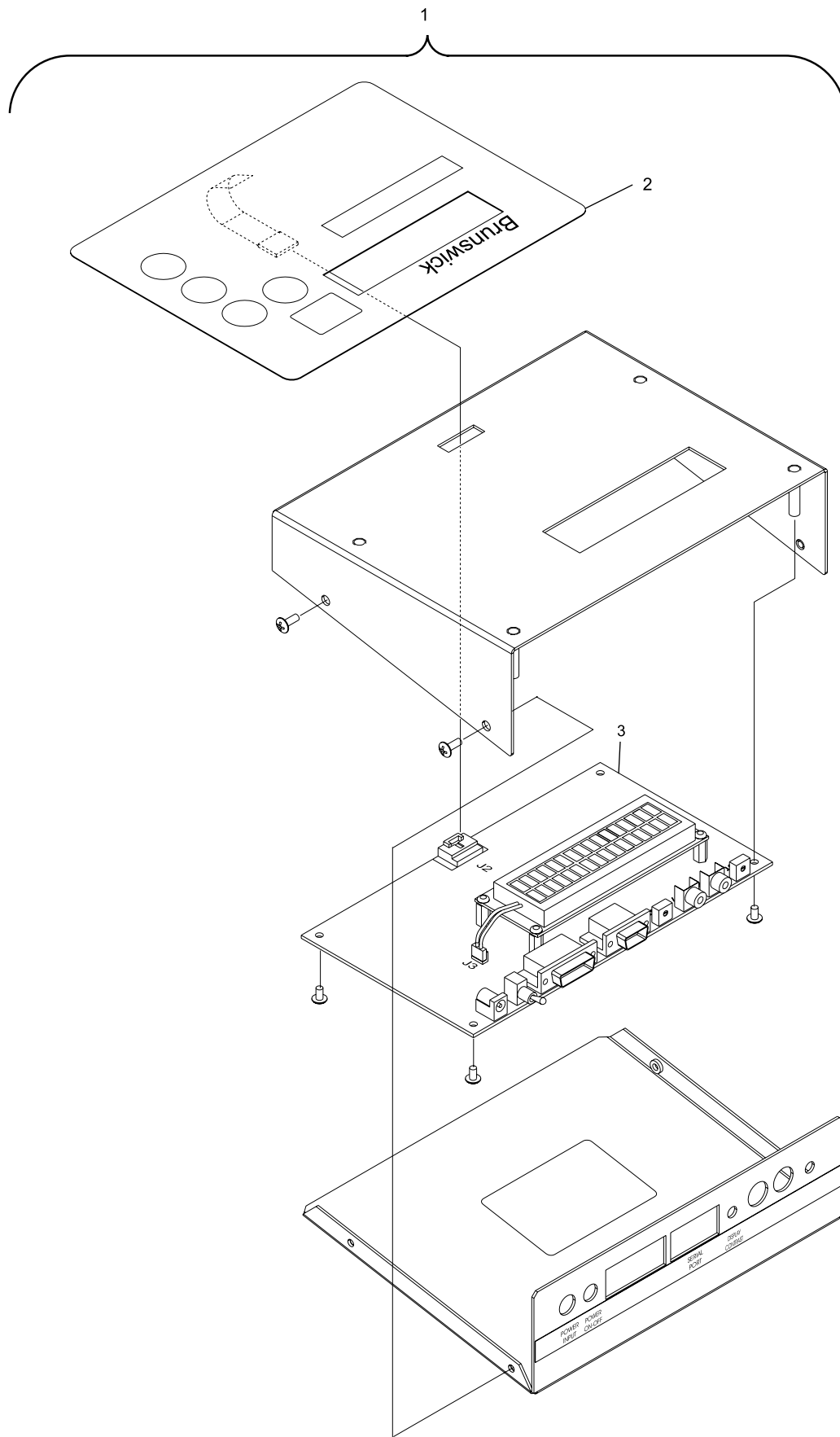


**Automated Bumper Controller PCB
(BallWall/Pinball Wizard)**

Index

No.	Part No.		Description
1.	17-860794-400		Front Desk Controller Assembly
2.	17-300238-000	N.A.	Keypad Only
3.	84-860613-400	N.A.	Front Desk Controller PCB

N.A. = No Longer Available

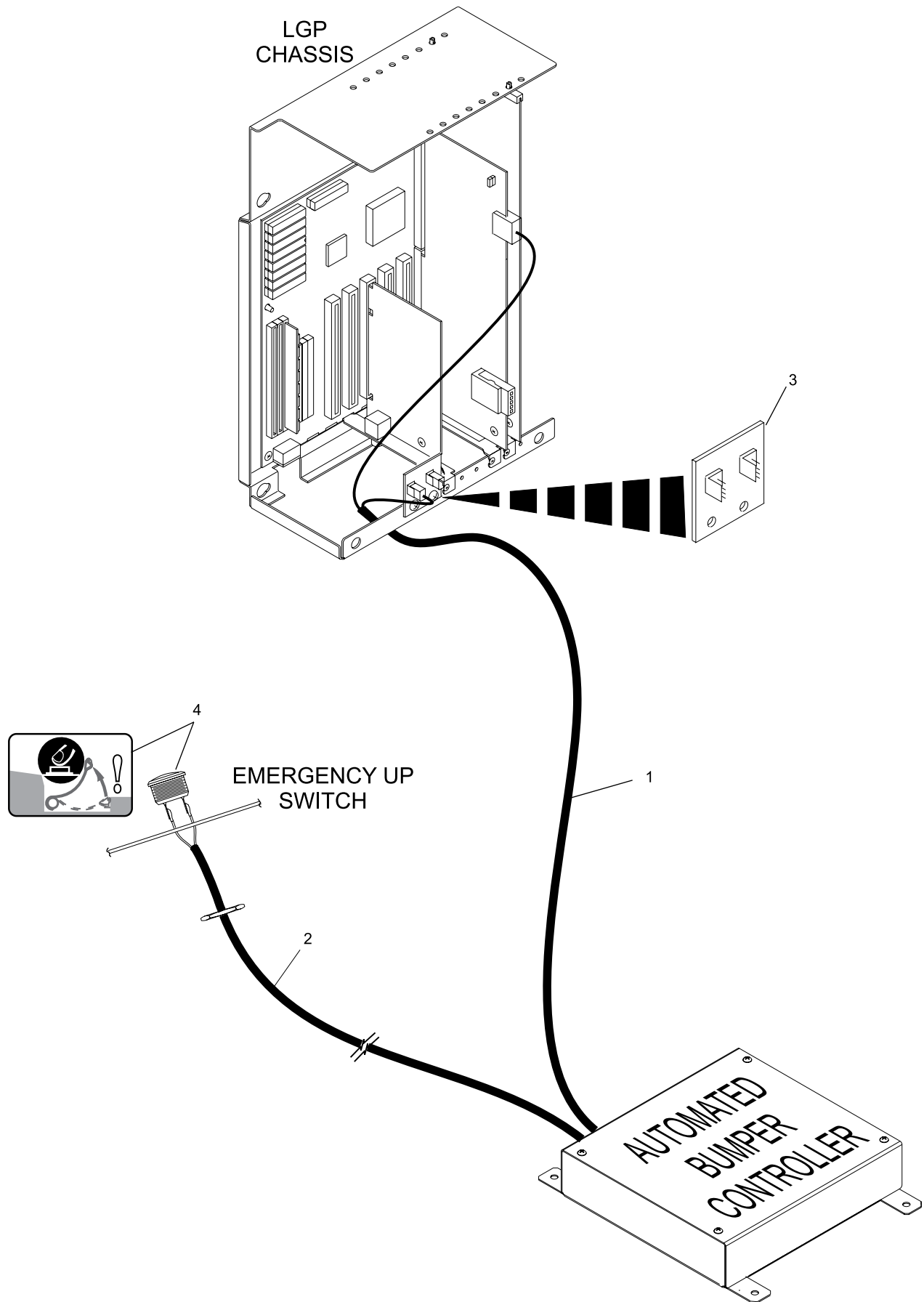


**Front Desk Controller PCB
(BallWall/Pinball Wizard)**

Index

No.	Part No.	Description
1.	17-860788-000	Automated Bumper Lane Cable Assembly (Powerworx, Touchworx, and Teamworx scorers)
2.	17-860799-000	Emergency Up Switch Cable Assembly - includes Switch and Decal
3.	17-860787-000	LLAN Breakout PCB
4.	11-615521-000	Security Push Button Switch only

NOTE: Components identical for both BallWall and Pinball Wizard systems.

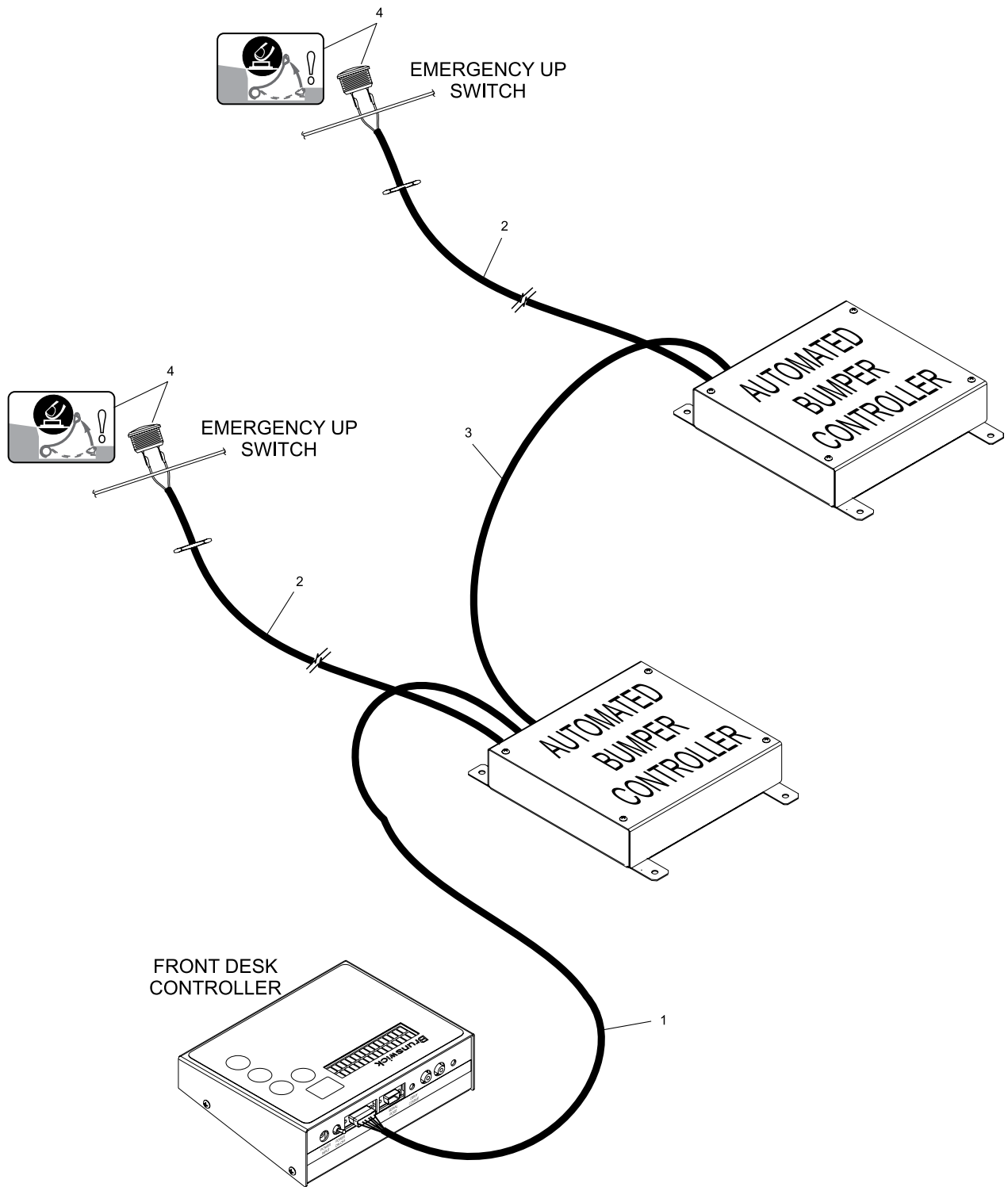


**Automated Bumper System Cables and LLAN Breakout PCB
with Frameworkx Scorers**

Index

No.	Part No.	Description
1.	17-860791-000	Front Desk Controller to Controller Cable Assembly
2.	17-860799-000	Emergency Up Switch Cable Assembly - includes Switch and Decal
3.	17-860790-000	Automated Bumper Controller to Automated Bumper Controller (Daisy Chain) Cable Assembly
4.	11-615521-000	Security Push Button Switch only

NOTE: Components identical for both BallWall and Pinball Wizard systems.



Automated Bumper System Cables Stand - Alone Configuration

Index

No.	Part No.	Description
1.	84-200456-002	L.H. Adapter Block
2.	84-200456-001	R.H. Adapter Block
3.	84-200241-xxx	Division Capping (Gray)
4.	84-200242-000	N.A. Color Strip (Division Capping)
	*84-860736-xxx	Division Capping (Pkg. of 6)
	*84-860553-xxx	N.A. Division Capping w/Hardware Pkg.
	84-860734-301	Division Capping w/Hardware Pkg. (Clear)
5.	11-086487-000	Hole Cutting Screw (#8 x 1-1/4")
6.	84-200245-000	N.A. Gutter Section
7.	84-200258-000	N.A. Shim (2" x 3-1/2")
8.	11-081207-000	Robertson Flat Head Screw (#8-1-1/4")
9.	84-200244-000	Ball Return Capping Clip (2-1/2")
	*84-200240-000	Ball Return Capping Clip (5")
10.	84-860740-000	Return Capping w/Hardware - (Pkg. of 6)
	84-200243-000	Return Capping only (Lt. Gray)
11.	84-200462-000	Gutter Coupler (Replaces P/N 84-200250-000)
12.	84-860557-000	Heavy Duty Flat Gutter
13.	52-100074-000	N.A. Header Block
	84-200603-000	N.A. Header Block
	84-200644-000	R.O. Header Block

* = Not Illustrated
N.A. = No Longer Available
R.O. = Replacement Option

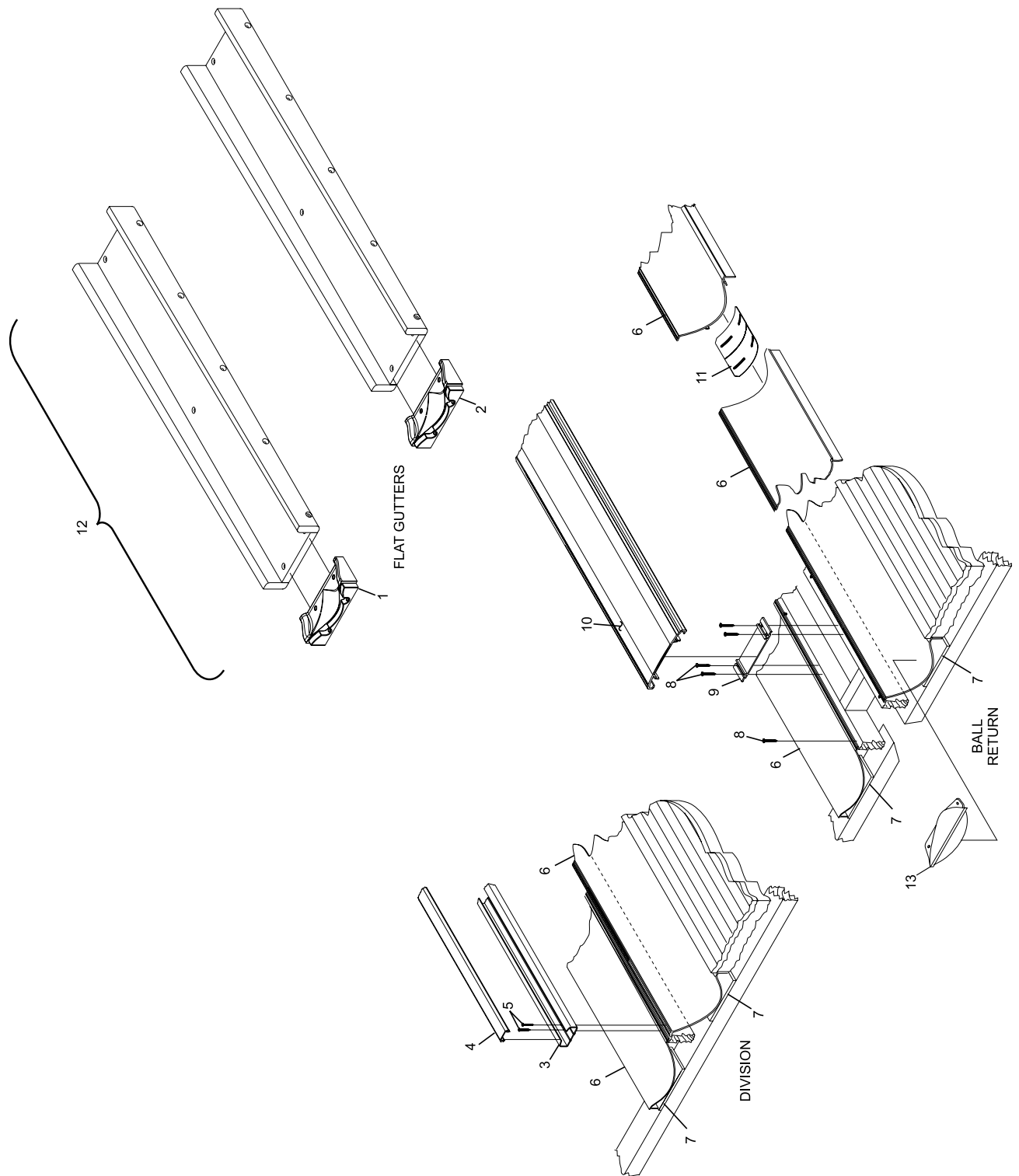
Package 84-860553-XXX - contains: 6 Gray lower division capping (index number 3) and 6 color strips (index number 4) as selected. Available in colors -220 through -229.

* Color Chart

Part No. Suffix	Division Capping Color Strips
-220	BLUEBERRY
-222	CRANBERRY
-223	GRAPE
-224	BANANA
-225	STRAWBERRY
-229	GRAPHITE
-301	CLEAR

Part No.	Gutter Color
-405	BLACK
-100	GREY
-101	BROWN
-102	BLUE

Framework Flat Gutters and Capping



Framework Flat Gutters and Capping

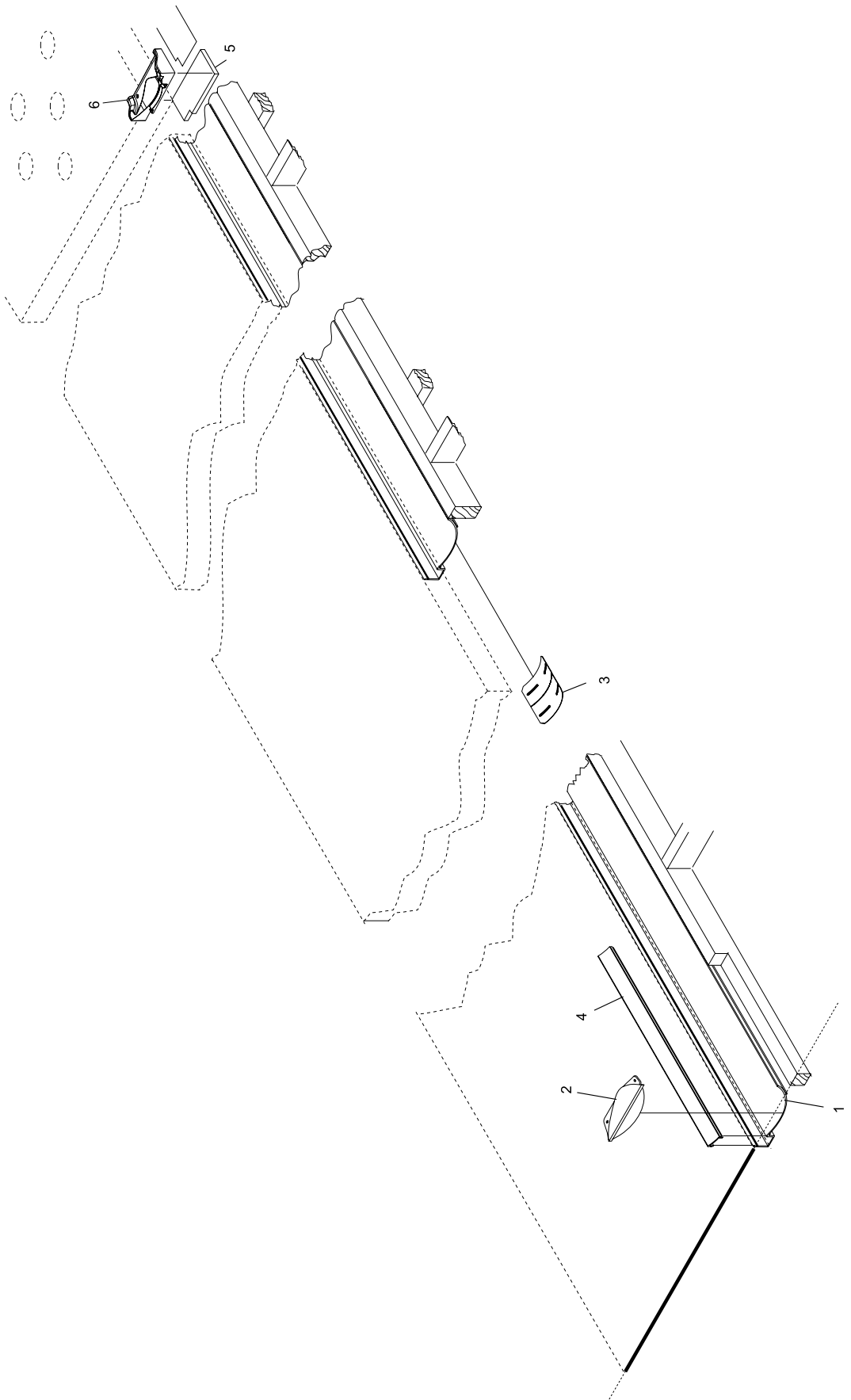
Index

No.	Part No.		Description
1.	84-200461-100		Pinball Wizard Gutter Assembly - Stand-Alone (Dark Gray)
	84-200461-405		Pinball Wizard Gutter Assembly - Stand-Alone (Black)
	84-860620-XXX	N.A.	Package of 8 Gutters
2.	84-200603-000	N.A.	Header Block
	84-200644-000	R.O.	Header Block
3.	84-200462-000		Gutter Coupler
4.	84-860622-100		Cover -118" Pkg. (Dark Gray)
5.	84-200556-000	N.A.	Flat Gutter Spacer
6.	84-200456-001		R.H. Adapter Block - Gutter
	84-200456-002		L.H. Adapter Block - Gutter
7.	84-860621-000		Gutter Hardware w/Adapter Blocks (includes items 5 and 6)

N.A. = No Longer Available

R.O. = Replacement Option

Pinball Wizard Gutters - Stand Alone



Pinball Wizard Gutters - Stand Alone

Index

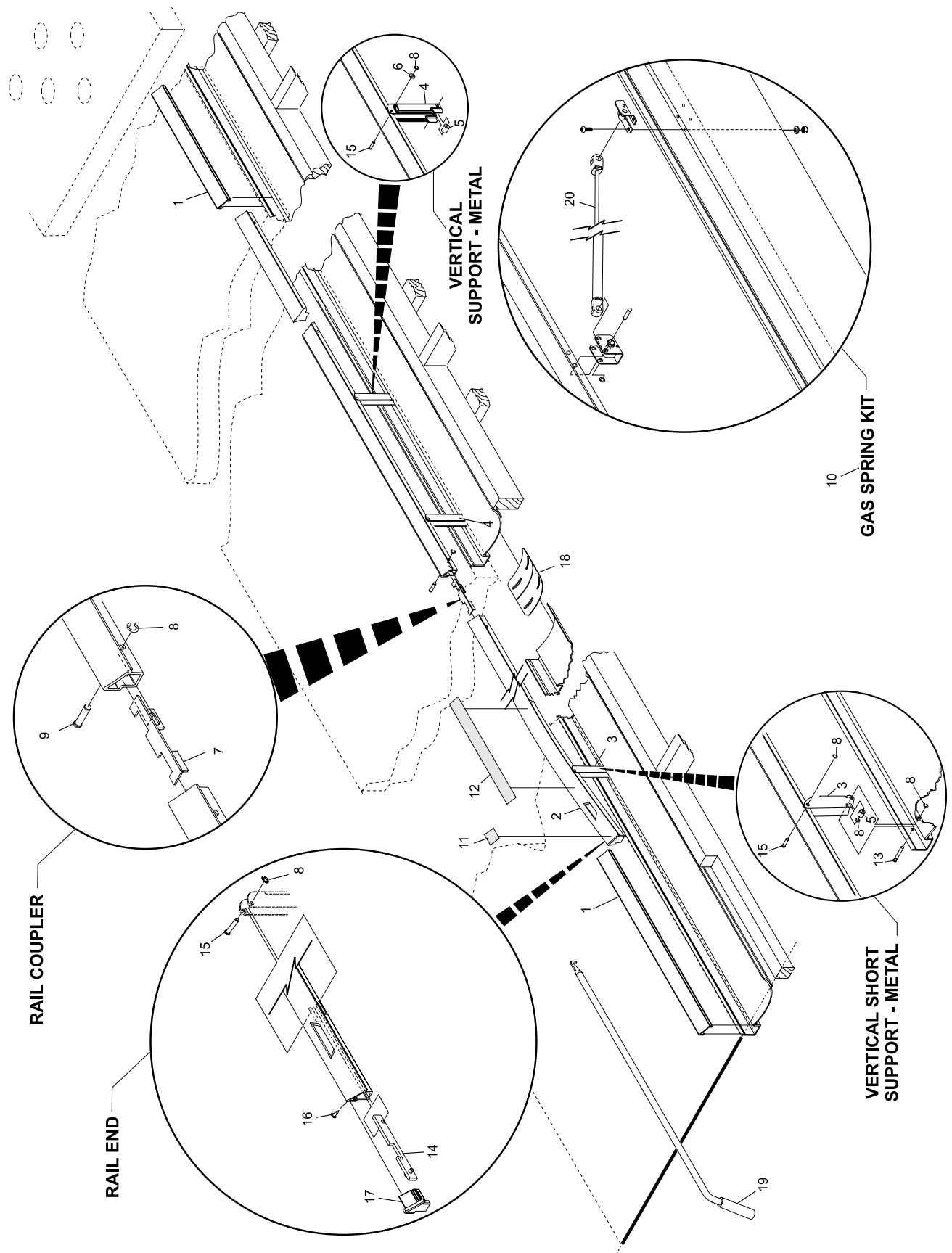
No.	Part No.	Description
1.	84-200465-100	Cosmetic Cover (31.25")
2.	84-860689-XXX	N.A. Rails Vertical Support and Hardware Pkg. - Foul End
	*84-200452-XXX	L.H. Foul End Rail
	*84-200453-XXX	R.H. Foul End Rail
	*84-200451-XXX	L.H. & R.H. Common Rail
	*84-200478-XXX	N.A. L.H. Pinsetter End Rail
	*84-200479-XXX	N.A. R.H. Pinsetter End Rail
3.	84-860733-000	Short Vertical (first) Support Pkg. (lane pair)
4.	84-860695-000	N.A. Vertical Support Kit - Metal (includes 28 Metal Supports, 30 Bushings, 30 Washers, 5 Retaining Clips)
5.	84-200487-000	Noise Reducing Bushing
6.	11-190509-001	Flat Washer
7.	84-200457-000	Rail Coupler
8.	11-537050-000	Retaining-Clip
9.	84-200458-003	Rail Coupler Pin (1-1/16" length)
10.	84-860715-000	Gas Spring Kit (order per lane pair)
11.	84-860747-002	Safety Warning Label 2
12.	11-682561-000	Safety Warning Label 1 (Call for details in language)
13.	84-200459-000	Gutter Arm Pin (2" length)
14.	84-200460-000	Rail End - Insert
15.	84-200458-001	Rail Arm Pin (1-1/4" length)
16.	11-082390-000	Screw (#8-18 x 1/2")
17.	84-200463-001	R.H. Rail Plug (Pkg. of 10) - black
	84-200463-002	L.H. Rail Plug (Pkg. of 10)- black
18.	84-200462-000	Gutter Coupler
19.	84-860100-000	Tool - Bumper System Pkg.
20.	11-210005-000	Gas Spring - Bumper System

N.A. = No Longer Available

* Refer to Color Chart Below

Part No. Suffix	Primary Color
-100	DARK GREY
-142	MEDIUM GREY
-405	BLACK

Bankshot



Bankshot