

Section K

**SILVER BOX/UNIVERSAL
VOLTAGE SILVER BOX
ELECTRICAL**

Index

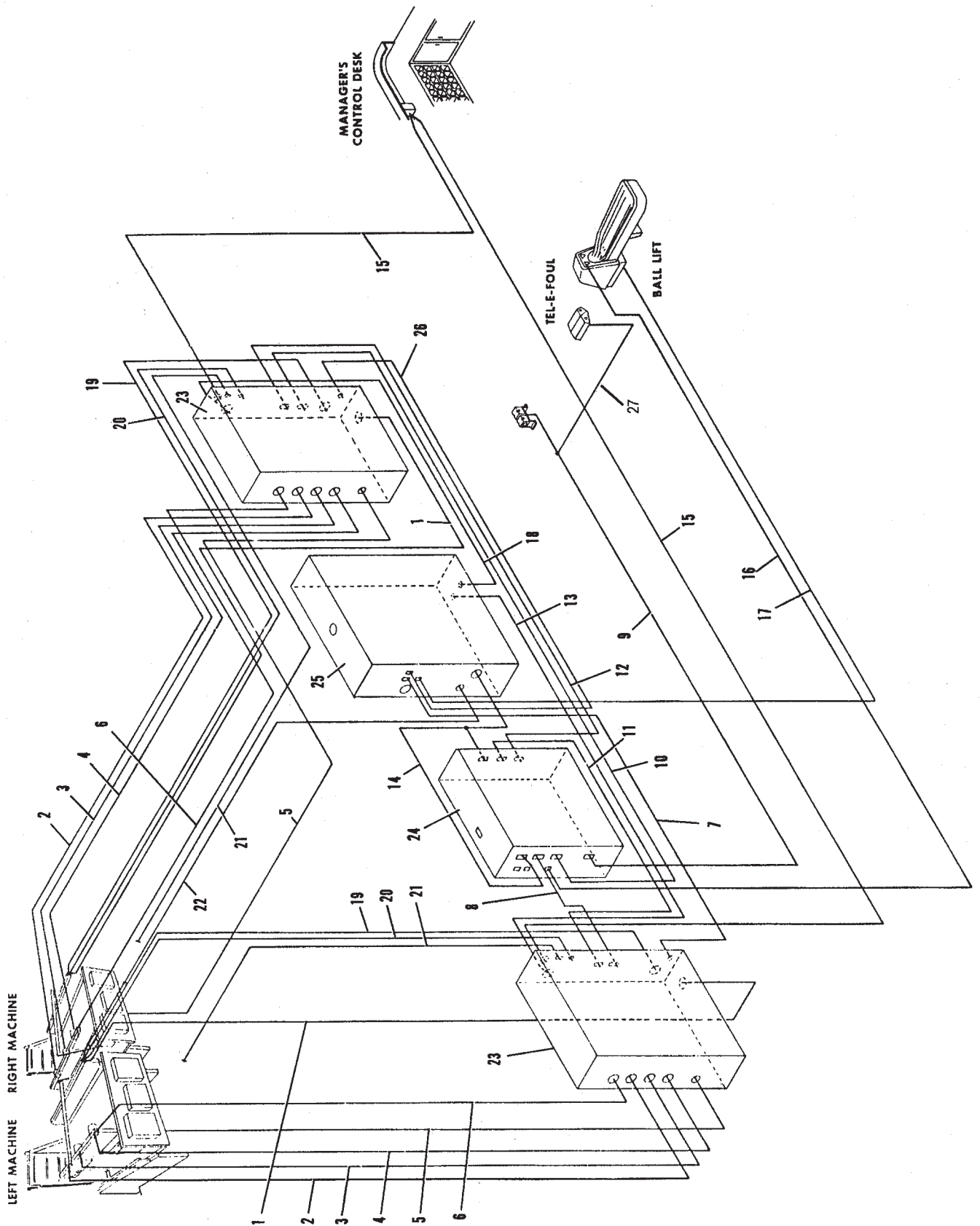
No.	Part No.		Description
1.	68-100051-000		Setting Table Cable Assembly (female to female)
2.	68-100180-000		Setting Table Motor Cable Assembly
3.	68-100181-000	N.A.	Sweep Motor Cable Assembly
4.	68-100182-000	N.A.	Elevator Motor Cable Assembly
5.	*N.A.		Pin Light Cable Assembly
6.	68-100053-000	N.A.	L.H. Function Solenoid & Switches Cable Assembly
7.	68-100160-000	N.A.	High Voltage Box To Common Box Cable Assembly (L.H. machine)
8.	68-100044-000	N.A.	Switch Data Cable Assembly (Lane No. 1)
9.	47-192952-000		Foul & Optical Trigger Cable Assembly
10.	68-100158-000	N.A.	Switch Data Cable Assembly (Lane No. 2)
11.	68-100046-000		Solenoid Data Cable Assembly (Lane No. 1)
12.	68-100157-000	N.A.	Solenoid Data Cable Assembly (Lane No. 2)
13.	**N.A.		High Voltage Power Supply Cable Assembly (box 1)
14.	N.A.		Gamesetter Power & Peripheral Control Cable Assembly
15.	68-100159-000	N.A.	Manager's Remote "On" Cable Assembly
16.	68-100050-000	N.A.	Player Control Cable Assembly
17.	68-100061-000	N.A.	Ball Lift Control Cable Assembly
18.	**N.A.		High Voltage Power Supply Cable Switch Assembly (box 2)
19.	68-100385-000	N.A.	R.H. Trouble Light & Ball Door Cable Assembly
20.	68-100176-000	N.A.	Rear Control Box Cable Assembly
21.	53-200871-000		Masking Unit Cable Assembly
22.	68-100178-000	N.A.	Ball Accelerator Motor Cable Assembly
23.	47-862706-000	N.A.	High Voltage Box Complete
24.	47-862708-402	N.A.	Gamesetter Box Assembly
25.	47-862707-000	N.A.	Common Box Complete
26.	68-100160-010		High Voltage Box to Common Box Cable Assembly (right-hand machine)
27.	47-862717-000		Foul to Optical Trigger Cable Assembly

N.A. = No Longer Available

* Part of Pin Light Assembly - shown on page 3H.

** Part of Common Box Complete, Index No. 25.

High Voltage Box, Common Box, Gamesetter Box and Cable Assemblies - Silver Box



Smart Shark, High Voltage Box, Common Box,
 Gamesetter Box and Cable Assemblies - Universal Voltage Silver Box

Index

No.	Part No.	Description
1.	68-100379-000	Table Motor Cable Assembly
2.	68-100380-000	Sweep Motor Cable Assembly
3.	68-100381-000	Elevator Motor Cable Assembly
4.	47-182500-000	N.A. L.H. Side Function Solenoids & Switches Cable Assembly
5.	*N.A.	Pin Light Cable Assembly
6.	47-243069-004	Setting Table Cable Assembly (male and female ends)
7.	53-200871-000	Masking Unit Cable Assembly (male and female ends)
8.	68-100176-000	N.A. Rear Control Box Cable Assembly
9.	68-100385-000	R.H. Trouble Light & Ball Door Switch Assembly
10.	68-100192-000	N.A. Ball Accelerator Motor Cable Assembly
11.	68-100193-000	Gamesetter Power Cable Assembly
12.	68-100199-000	N.A. R.H. Ball Rack Reset Cable Assembly
13.	**N.A.	Voltage Power Supply (box 1) Cable Assembly
14.	68-100382-000	N.A. L.H. Common Box Remote "ON" Cable Assembly
15.	****68-100044-000	N.A. Switch Data Cable Assembly (Lane No. 1)
16.	68-100046-000	Solenoid Data Cable Assembly (Lane No. 1)
17.	68-100158-000	N.A. Switch Data Cable Assembly (Lane No. 2)
18.	68-100157-000	N.A. Solenoid Data Cable Assembly (Lane No. 2)
19.	**N.A.	High Voltage Power Supply Cable Assembly (box 2)
20.	68-100383-000	R.H. Common Box Remote "ON" R.H. Cable Assembly
21.	47-192952-000	Foul & Optical Trigger Cable Assembly (Silver Box and Universal Voltage Silver Box)
22.	N.A.***	Manager's Remote "On" Cable Assembly
23.	N.A.	Ball Rack Reset Cable Assembly
24.	68-100050-000	N.A. Player Control Cable Assembly
25.	68-100061-000	N.A. Ball Lift Control Cable Assembly
26.	11-680027-000	Twist Lock Receptacle
27.	47-862735-000	Power Adaptor Cable Assembly
28.	47-862712-000	N.A. High Voltage Box Assembly Complete
	47-162839-000	High Voltage PCB Assembly (Smart Shark)
29.	47-862711-401	N.A. Gamesetter Box Assembly w/Smart Shark Complete
	47-862801-000	N.A. Gamesetter I/O PCB Assembly
	N.A.	Gamesetter CPU (Smart Shark) - available through Brunswick Rapid Exchange
30.	47-862745-000	N.A. Common Box Assembly Complete
31.	****47-862743-000	N.A. External Cable Package-GS-92 Pinsetters (includes index numbers 11,15,16,18, and 19, also includes 1 each of Ball Lift Adapter Cable 68-100272-000)
32.	68-100273-000	Pinsetter to High Voltage Ground Cable Assembly
33.	11-612030-000	N.A. Terminal
34.	11-612029-000	N.A. Terminal
35.	N.A.	High Voltage to Gamesetter to Common Box Cable Assembly
36.	47-862717-000	Foul to Optical Trigger Cable Assembly

N.A. = No Longer Available

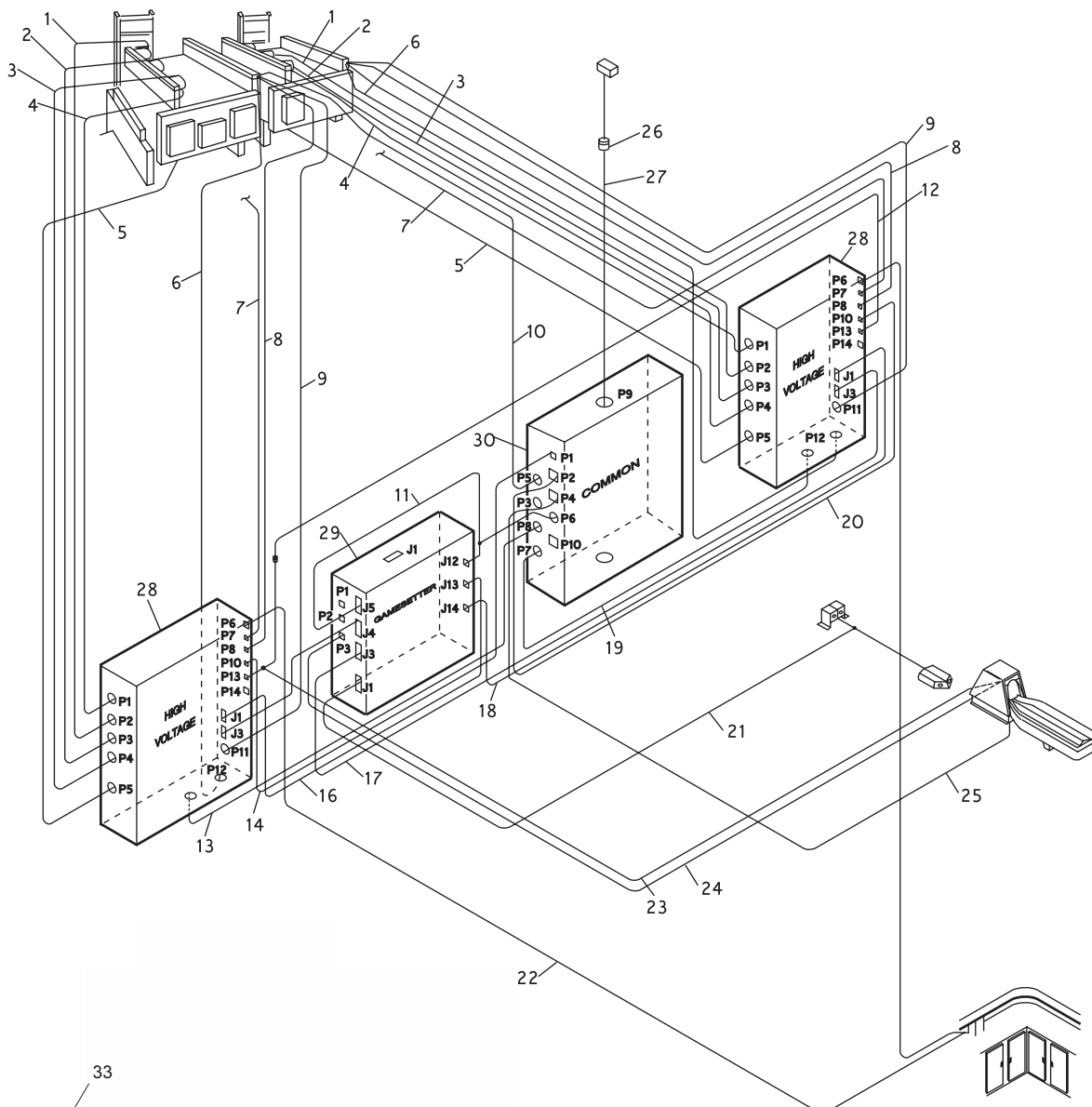
* Part of Pin Light Assembly - shown on page 3H

** Part of Common Box Assembly Complete, index no. 30

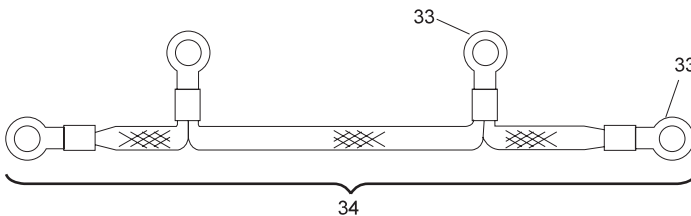
*** Remove EPROM and Replace with Existing Software If Not Smart Shark

**** Not Illustrated

Smart Shark, High Voltage Box, Common Box, Gamesetter Box and Cable Assemblies - Universal Voltage Silver Box



PINSETTER TO HIGH VOLTAGE GROUND CABLE ASSEMBLY



HIGH VOLTAGE TO GAMESSETTER TO COMMON GROUND CABLE ASSEMBLY

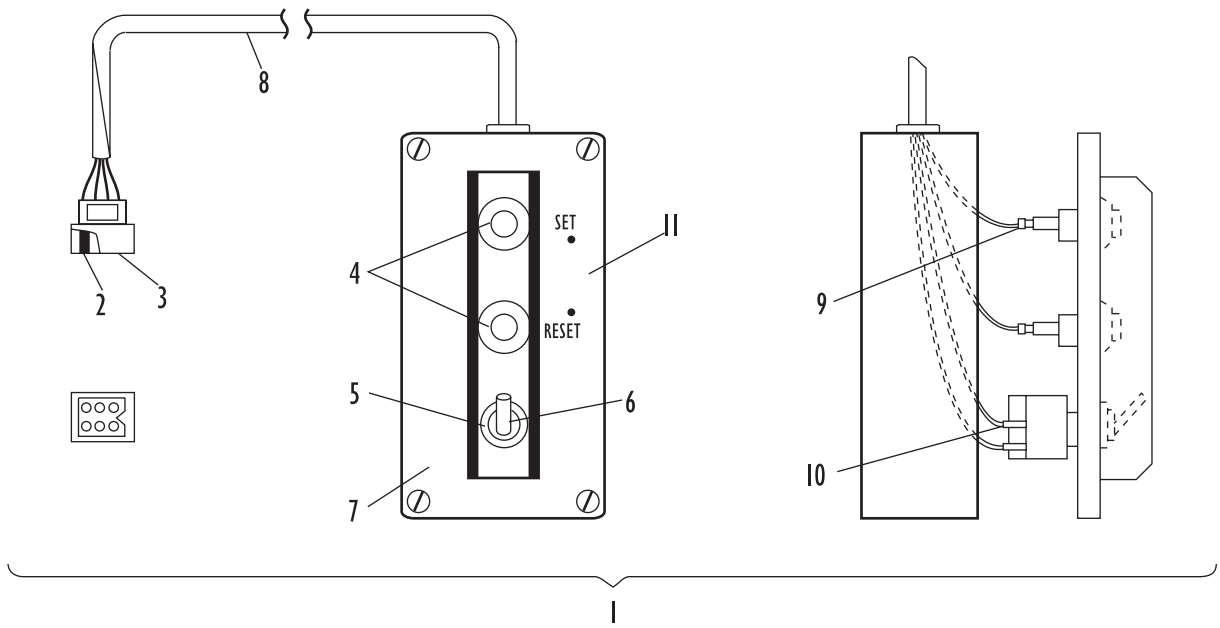
Smart Shark, High Voltage Box, Common Box, Gamesetter Box and Cable Assemblies - Universal Voltage Silver Box

Index

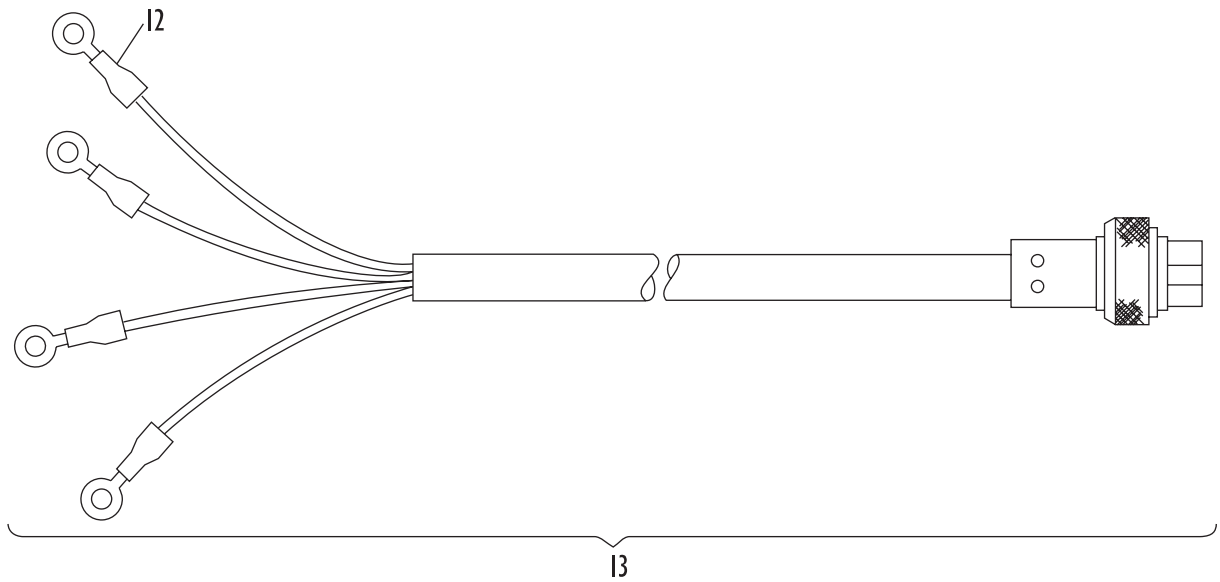
No.	Part No.		Description
1.	47-243071-000		Rear Control Box w/Cable Assembly (Consolidated)
2.	11-680302-000	N.A.	Terminal
	57-860032-000	R.O.	Terminal - Male (Pkg. of 10)
3.	11-680107-000	N.A.	Connector (6 circuit)
4.	11-615013-000		Push Button Switch
5.	N.A.		Grommet
6.	11-615515-000		Toggle Switch
7.	47-243072-004	N.A.	Rear Control Box
8.	68-100276-000	N.A.	Rear Control Box Cable Assembly
9.	N.A.		Terminal
10.	N.A.		Terminal
11.	47-243070-004	N.A.	Rear Control Plate
12.	11-612012-000	N.A.	Terminal
13.	68-100178-000	N.A.	Plug Assembly w/Pin Contacts for Ball Accelerator Motor (172")
	68-100180-000		Plug Assembly w/Pin Contacts for Table Motor (106")
	68-100181-000	N.A.	Plug Assembly w/Pin Contacts for Sweep Motor (87")
	68-100182-000	N.A.	Plug Assembly w/Pin Contacts for Elevator Motor (64")

N.A. = No Longer Available

**Rear Control Box and Plug Assembly
with Pin Contacts Cable Assemblies - Silver Box**



Rear Control Box Cable Assembly



Plug Assembly with Pin Contacts

**Rear Control Box and Plug Assembly
with Pin Contacts Cable Assemblies - Silver Box**

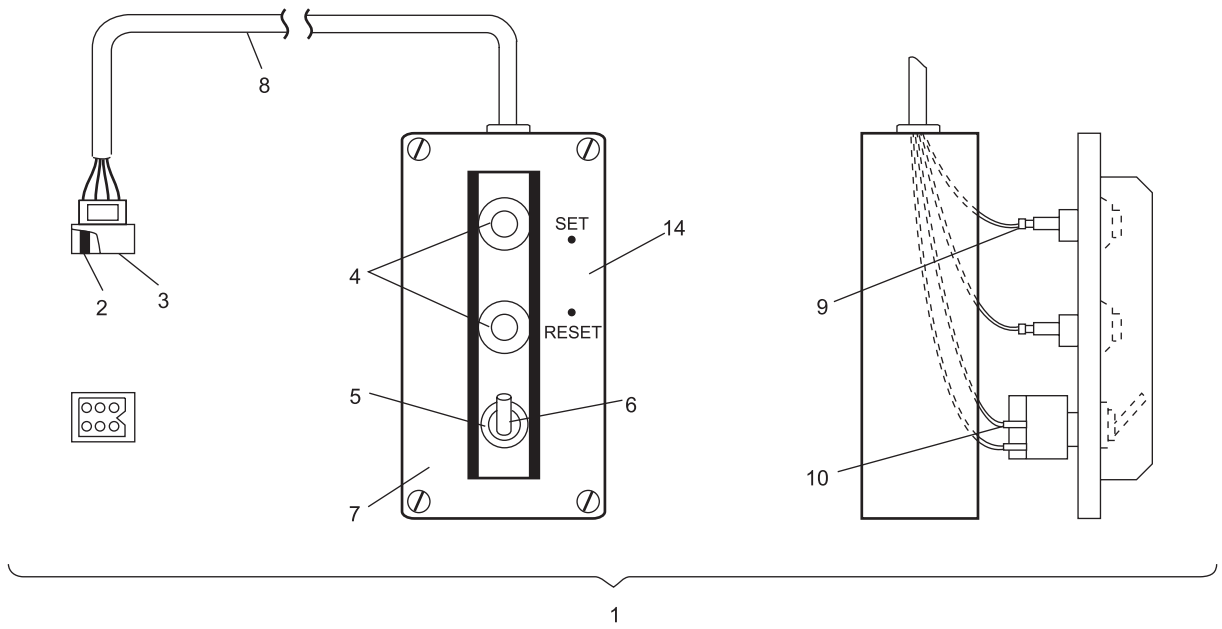
Index

No.	Part No.		Description
1.	47-243071-003		Rear Control Box w/Cable Assembly
2.	11-680107-000	N.A.	Connector (6 Circuit)
3.	11-680302-000	N.A.	Terminal
	57-860032-000	R.O.	Terminal - Male (Pkg. of 10)
4.	11-615013-000		Push Button Switch
5.	N.A.		Grommet
6.	11-615515-000		Toggle Switch
7.	47-243072-004	N.A.	Rear Control Box
	47-243071-000	R.O.	Rear Control Box (Consolidated)
8.	68-100276-000	N.A.	Rear Control Box Cable Assembly
9.	N.A.		Terminal
10.	N.A.		Connector
11.	11-697328-000	N.A.	Connector
12.	N/A		Terminal
13.	47-192952-000		Foul & Optical Trigger Cable Assembly
14.	47-243070-004		Rear Control Plate
15.	11-680201-000		Connector
16.	11-680301-000	N.A.	Terminal
	57-860031-000	R.O.	Terminal - Female (Pkg. of 20)

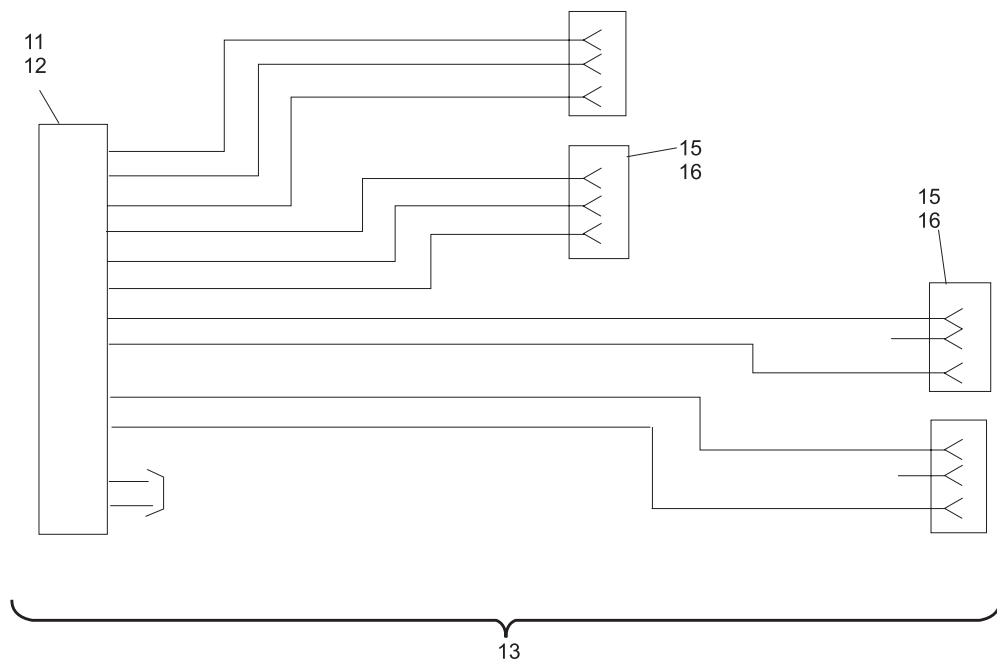
N.A. = No Longer Available

R.O. = Replacement Option

**Rear Control Box and Foul & Optical Trigger
Cable Assemblies - Universal Voltage Silver Box**



Rear Control Box Cable Assembly



FOUL AND OPTICAL TRIGGER CABLE ASSEMBLY

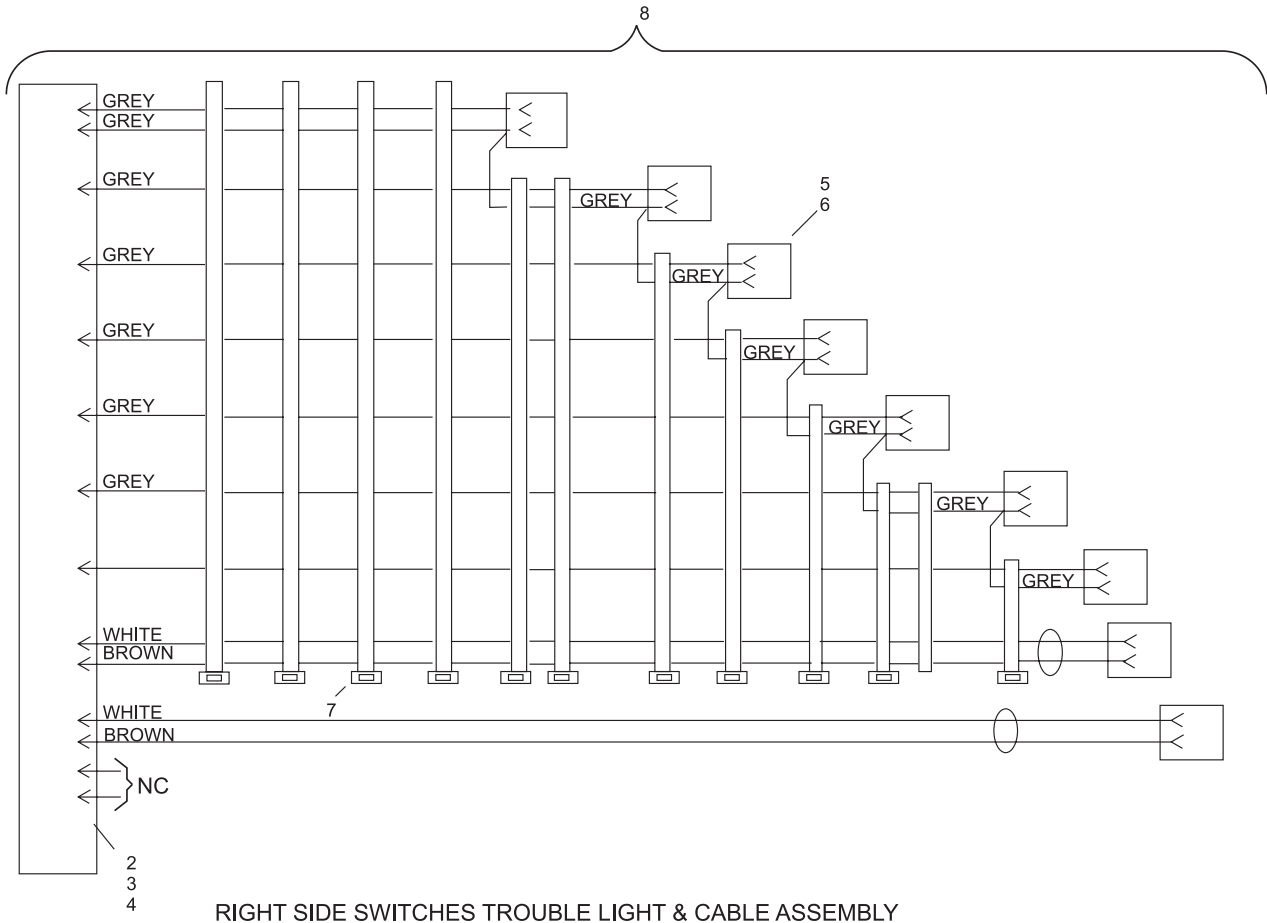
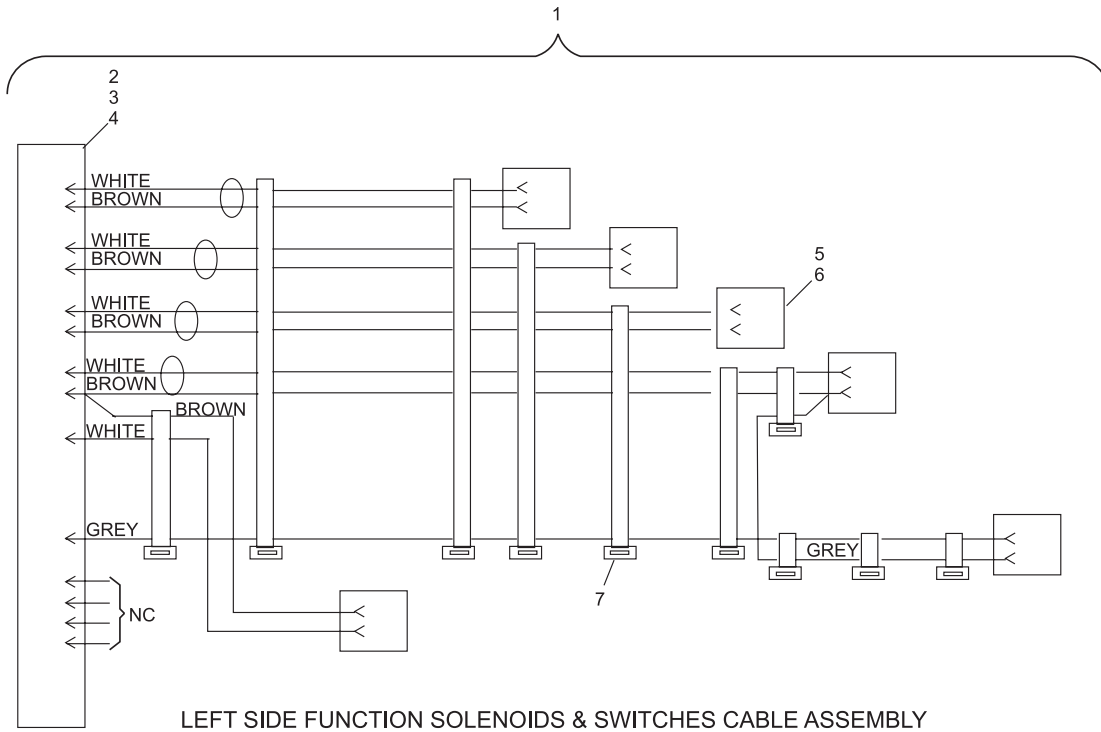
Rear Control Box and Foul & Optical Trigger Cable Assemblies - Universal Voltage Silver Box

Index

No.	Part No.		Description
1.	68-100384-000		L.H. Side Function Solenoid & Switches Cable Assembly - Universal
	68-100053-000	N.A.	L.H. Side Function Solenoid & Switches Cable Assembly - Silver Box
2.	11-615080-000	N.A.	Connector
3.	N.A.		Cable Clamp
4.	11-615101-000		Terminal
5.	11-680216-000		Connector
6.	11-680301-000	N.A.	Terminal
	57-860031-000	R.O.	Terminal - Female (Pkg. of 20)
7.	11-603108-000	N.A.	Cable Tie (3-5/8")
8.	68-100385-000	N.A.	R.H. Side Switches, Trouble Light & Ball Door Cable Assembly

N.A. = No Longer Available

**L.H.Side Function Solenoids & Switches and Side Switches,
R.H. Trouble Light & Ball Door Cable Assemblies - Universal Voltage Silver Box**

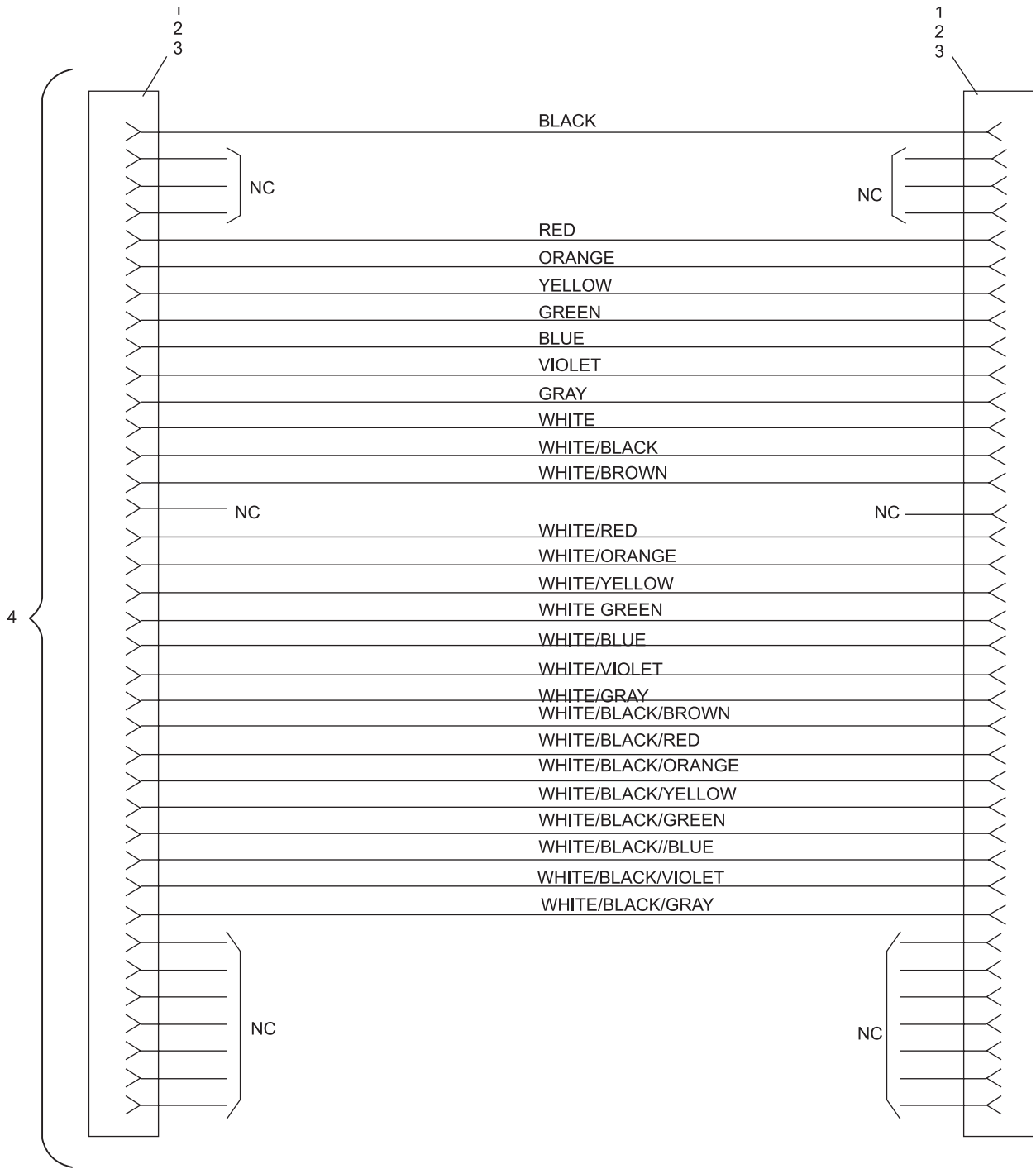


**L.H.Side Function Solenoids & Switches and Side Switches,
R.H. Trouble Light & Ball Door Cable Assemblies - Universal Voltage Silver Box**

Index

No.	Part No.		Description
1.	11-615075-000	N.A.	Connector
2.	11-615127-000		Cable Clamp
3.	11-615102-000	N.A.	Contact
4.	68-100051-000		Setting Table Cable Assembly Complete (both female ends)

N.A. = No Longer Available



SETTING TABLE CABLE ASSEMBLY

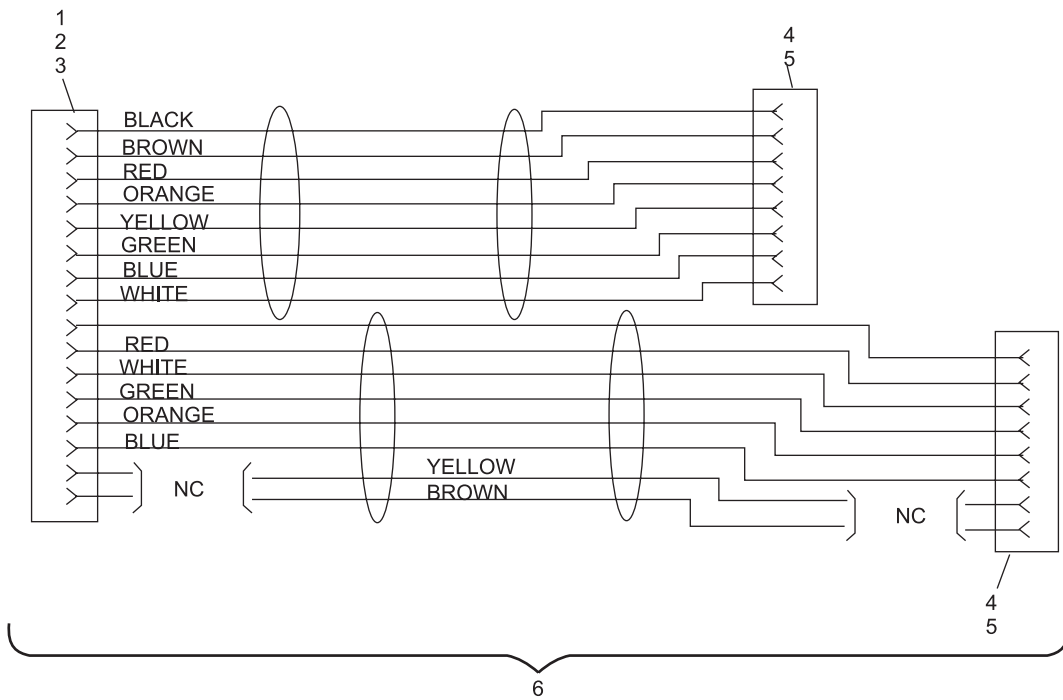
Setting Table Cable Assembly - Silver Box

Index

No.	Part No.		Description
1.	N.A.		Connector
2.	11-615127-000		Cable Clamp
3.	11-615102-000	N.A.	Contact
4.	11-697208-000	N.A.	Connector
5.	11-680322-000	N.A.	Terminal
	57-860042-000	R.O.	Terminal - Female (Pkg. of 20)
6.	N.A.		Gamesetter Power & Peripheral Control Cable Assembly

N.A. = No Longer Available

**Gamesetter Power & Peripheral Control
Cable Assembly - Silver Box**



GAMESSETTER POWER & PERIPHERAL CABLE ASSEMBLY

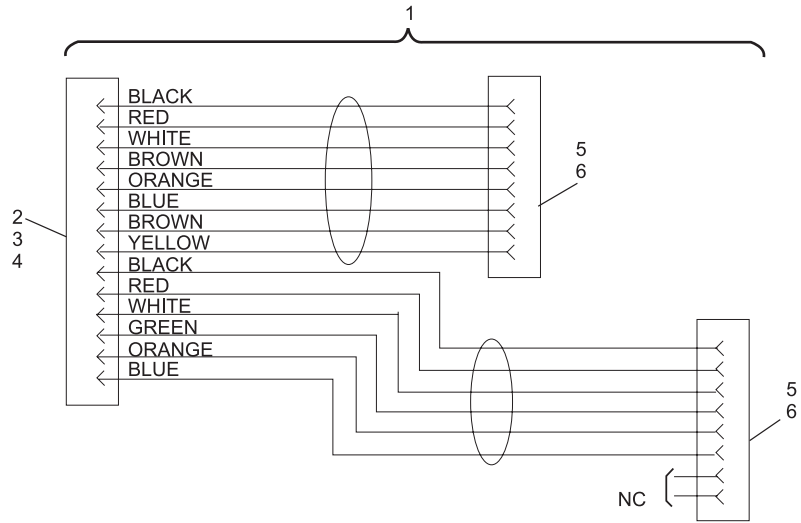
**Gamesetter Power & Peripheral Control
Cable Assembly - Silver Box**

Index

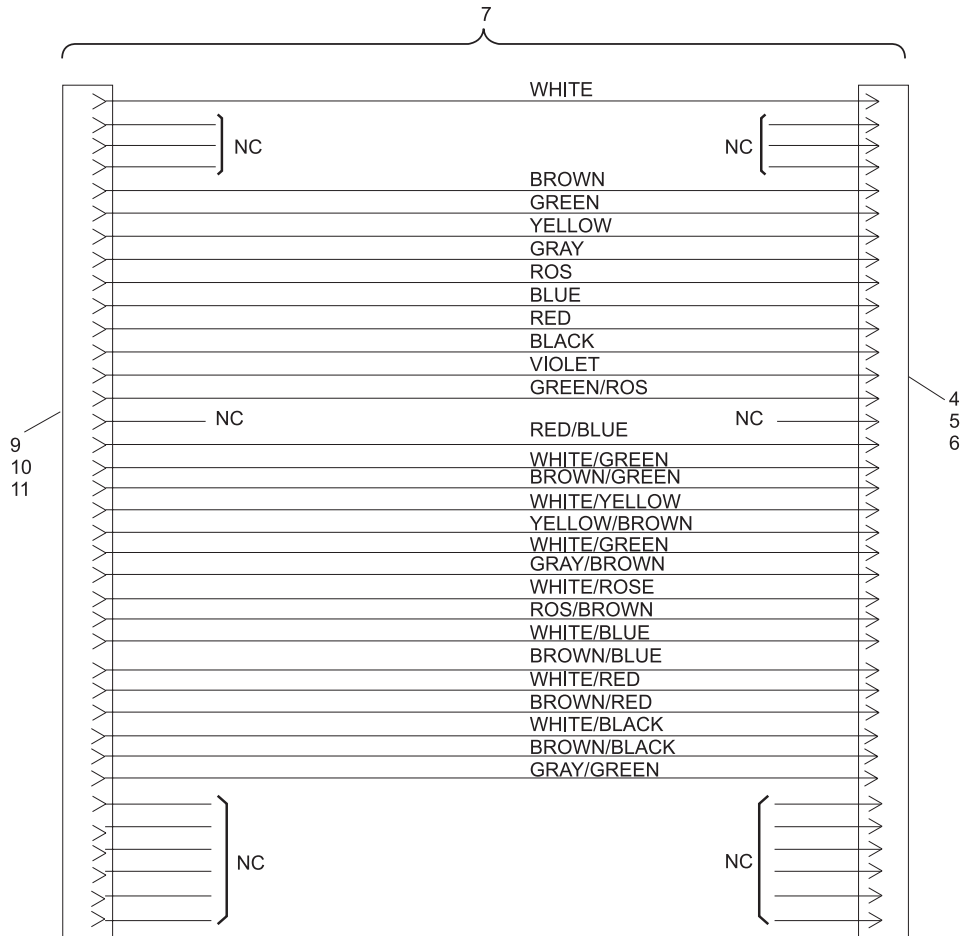
No.	Part No.		Description
1.	68-100193-000		Gamesetter Power & Peripheral Control Cable Assembly
2.	11-615080-000	N.A.	Connector
3.	N.A.		Cable Clamp
4.	11-615101-000		Terminal
5.	11-697208-000	N.A.	Connector
6.	11-680322-000	N.A.	Socket Terminal
	57-860042-000	R.O.	Terminal - Female (Pkg. of 20)
7.	47-243069-004		Setting Table Cable Assembly (male and female ends)
8.	11-703529-000	N.A.	Connector
9.	11-615127-000		Cable Clamp
10.	11-615075-000	N.A.	Connector
11.	11-615102-000		Terminal

N.A. = No Longer Available

**Gamesetter Power & Peripheral Control
and Setting Table Cable Assemblies - Universal Voltage Silver Box**



GAMESSETTER POWER & PERIPHERAL CONTROL CABLE ASSEMBLY



SETTING TABLE CABLE ASSEMBLY

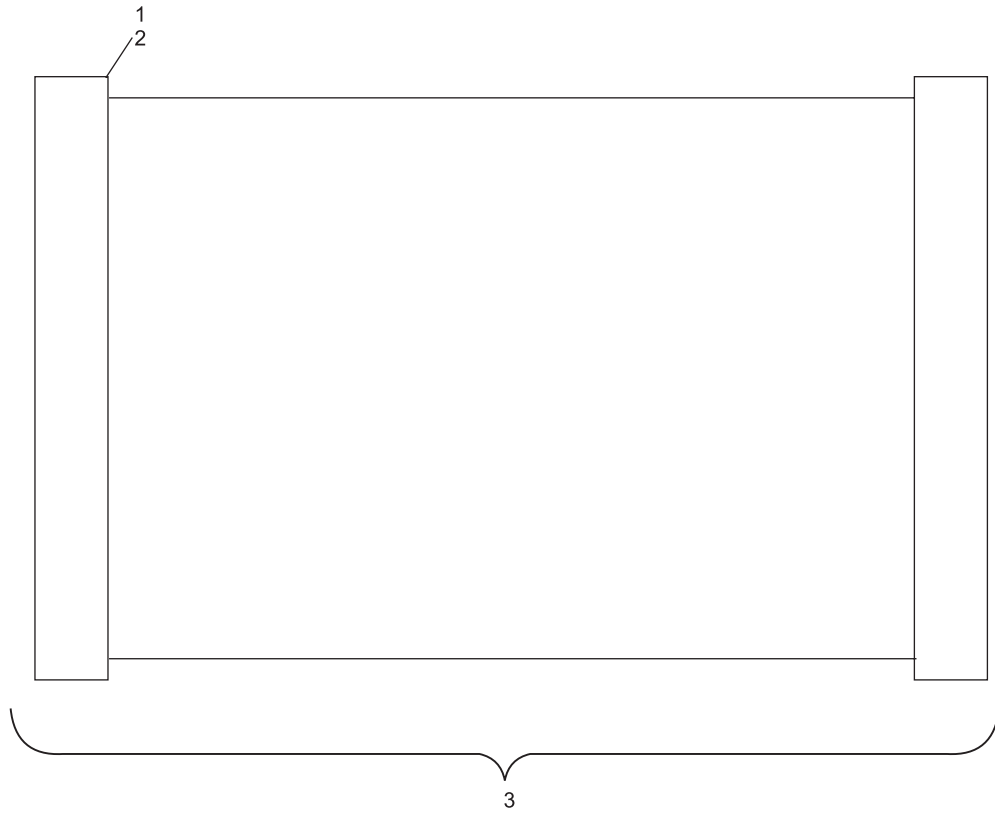
Gamesetter Power & Peripheral Control and Setting Table Cable Assemblies - Universal Voltage Silver Box

Index

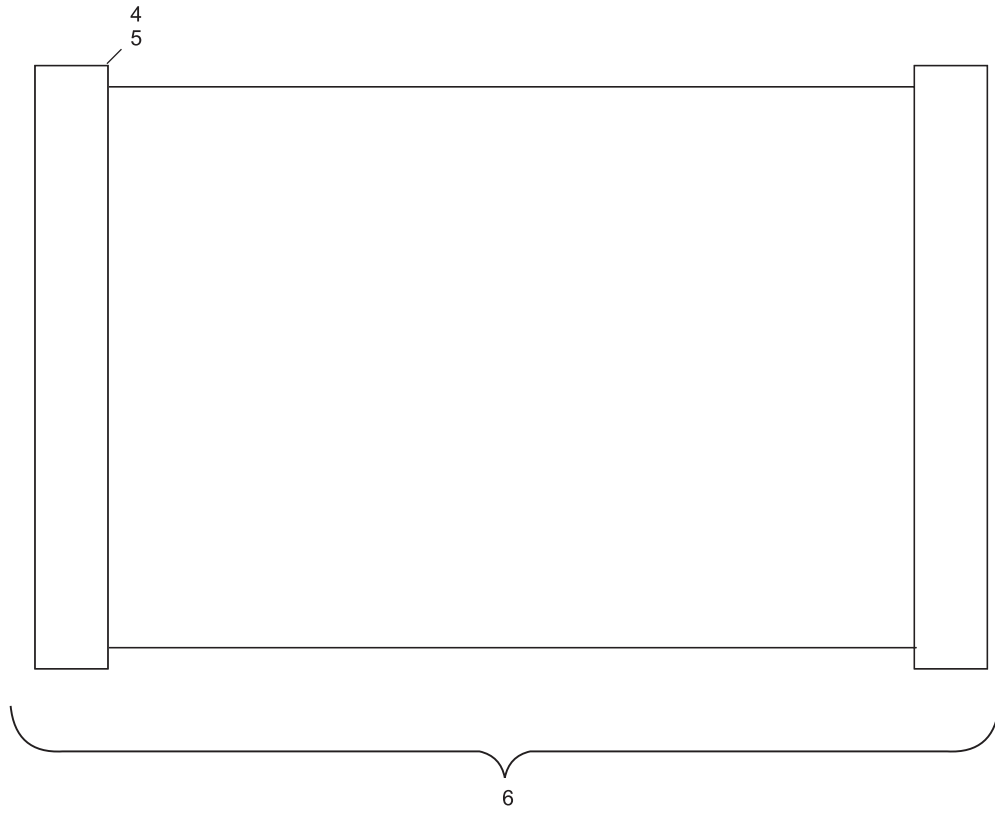
No.	Part No.		Description
1.	11-697327-000	N.A.	Connector
2.	11-697321-000	N.A.	Connector
3.	68-100044-000	N.A.	Switch Data Cable Assembly (lane 1)
	68-100158-000	N.A.	Switch Data Cable Assembly (lane 2)
4.	N.A.		Connector
5.	N.A.		Connector
6.	68-100046-000		Solenoid Data Cable Assembly (lane 1)
	68-100157-000	N.A.	Solenoid Data Cable Assembly (lane 2)

N.A. = Not Available

**Switch Data and Solenoid Data Cable Assemblies - Silver Box
and Universal Voltage Silver Box**



SWITCH DATA CABLE ASSEMBLY



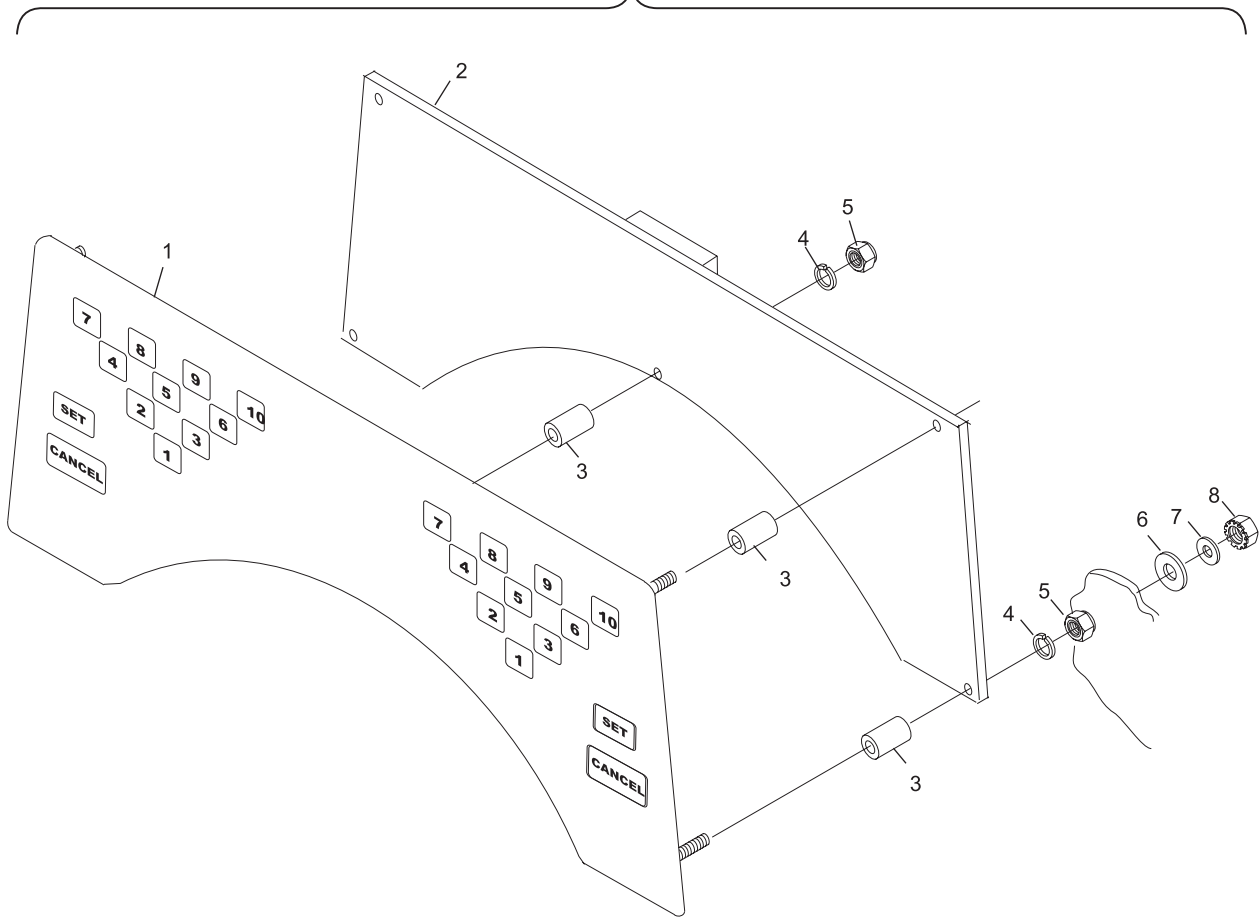
SOLENOID DATA CABLE ASSEMBLY

**Switch Data and Solenoid Data Cable Assemblies - Silver Box
and Universal Voltage Silver Box**

Index

No.	Part No.		Description
1.	47-862733-000		Butterfly Board Complete (Brunswick Rapid Exchange)
2.	47-862734-000	N.A.	Player Control PCB Pkg. (Brunswick Rapid Exchange)
3.	11-185276-000	N.A.	Round Spacer
4.	11-192011-000		Flat Washer
5.	11-125003-001		Hex Nut
6.	N.A.		Rubber Washer
7.	11-190004-001		Flat Washer
8.	11-176007-001		Keps Nut w/Lockwasher

N.A. = No Longer Available

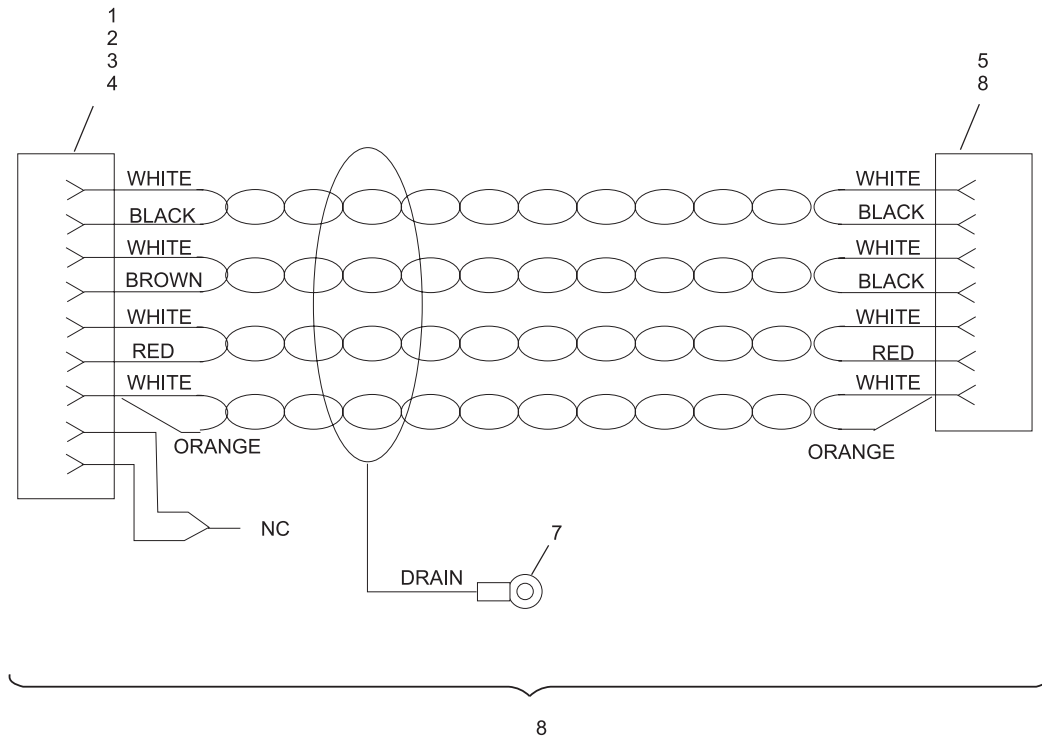


Player Control Station - Silver Box and Universal Voltage Silver Box

Index

No.	Part No.		Description
1.	11-680985-000	N.A.	Connector
2.	11-680996-000	N.A.	Metal Shield Cover
3.	11-680981-000		Pin
4.	11-680988-000	N.A.	Screw Retainer Kit
5.	11-680326-000		Terminal
6.	11-697611-000		Connector
7.	11-612006-000		Terminal
8.	68-100050-000	N.A.	Player Control Station Cable Assembly
9.	11-680116-000		Connector
10.	11-680302-000	N.A.	Terminal
	57-860032-000	R.O.	Terminal - Male (Pkg. of 10)
11.	11-680117-000		Connector
12.	68-100061-000	N.A.	Ball Lift Control Cable Assembly

**Player Control Station and Ball Lift
Control Cable Assemblies - Silver Box and Universal Voltage Silver Box**



PLAYER CONTROL STATION CABLE ASSEMBLY



BALL LIFT CONTROL CABLE ASSEMBLY

**Player Control Station and Ball Lift
Control Cable Assemblies - Silver Box and Universal Voltage Silver Box**

Index

No.	Part No.		Description
1.	**57-214920-000	N.A.	Reflector and Bracket Assembly
2.	57-214921-000	N.A.	Ball Detector Assembly
	99-080220-004	N.A.	Ball Detector Assembly
	99-086293-000	N.A.	Pkg. Ball Detect Complete w/Bracket & Hardware
	99-087141-000	R.O.	Pkg. Ball Detect Complete w/Bracket & Hardware
3.	**57-214901-000	N.A.	Bracket
4.	17-600771-000	N.A.	Reflector and Housing Assembly
5.	11-190004-001		Flat Washer (#8)
6.	11-195008-001		Lockwasher (#8)
7.	11-012308-001		Pan Hd. Machine Screw (#8-32 x 3/8")
8.	**17-600770-000	N.A.	Reflector Housing
9.	17-600773-000	N.A.	Plate
10.	53-600101-000		Reflector
11.	11-013007-001	N.A.	Sltd. Pan Hd. Machine Screw (#4-40 x 9/16")
12.	11-195004-001	N.A.	Lockwasher (#4)
13.	11-125000-001		Hex Nut (#4)
14.	11-082092-001	N.A.	Self Tapping Screw (#10 x 1/2")
15.	11-195010-001		Lockwasher (#10)
16.	11-190006-001		Flat Washer (#10)
17.	N.A.		Wood Screw (#10 x 3/4")
18.	57-214900-000		Mounting Bracket
19.	11-013060-001		Pan Hd. Machine Screw (#8-32 x 1/2")
20.	11-086307-001		Sltd. Flat Hd. Machine Screw (#4 x 1")
21.	57-214904-000	N.A.	Photo Cell & Cable Assembly
	99-080194-004	N.A.	Photo Cell & Cable Assembly
	99-086292-000	N.A.	Pkg. Ball Detect Single Unit w/Hardware
	99-087140-000	R.O.	Pkg. Ball Detect Single Unit w/Hardware
22.	99-080186-003		Housing
23.	99-080180-004		Compression Spring
24.	11-680101-000		Connector
25.	11-680302-000	N.A.	Terminal
	57-860032-000	R.O.	Terminal - Male (Pkg. of 10)
26.	47-223102-004	N.A.	Reflector
	47-225846-004	R.O.	Reflector
27.	11-054780-000	N.A.	Slotted Pan Hd. Self Tapping Screw (4.2mm x 16mm)
28.	99-200212-004	N.A.	Reflector Bracket
29.	99-200222-004		Reflector and Bracket Assembly
30.	47-225846-004		Reflector Tape
31.	*57-860507-000		Reflector and hardware Pkg. (includes Index Nos. 1, 3 & 8)

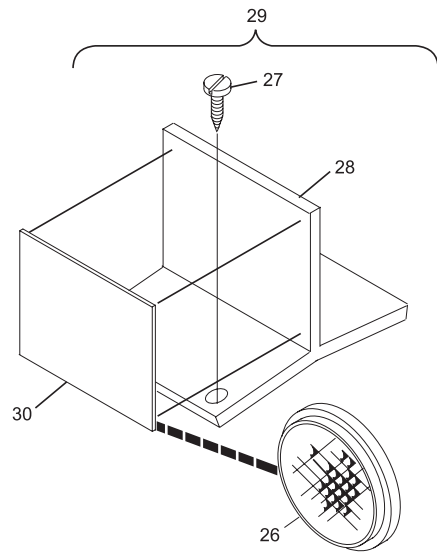
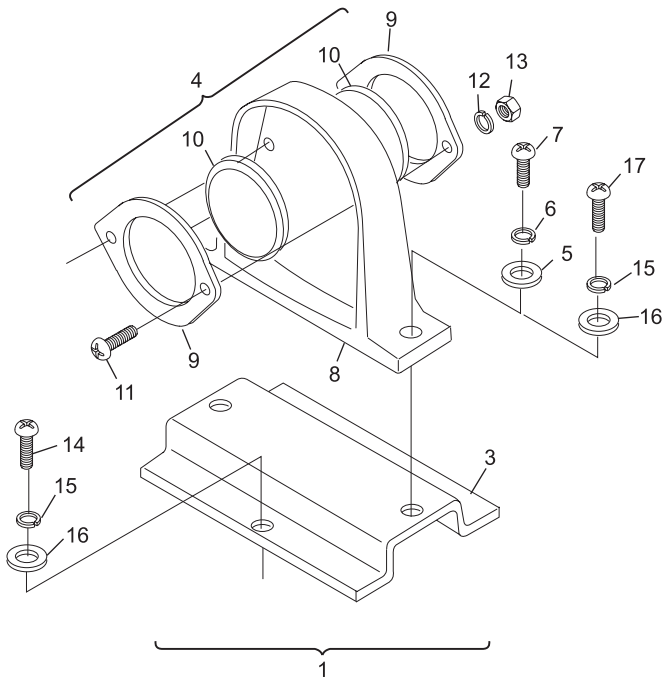
N.A. = No Longer Available

R.O. = Replacement Option

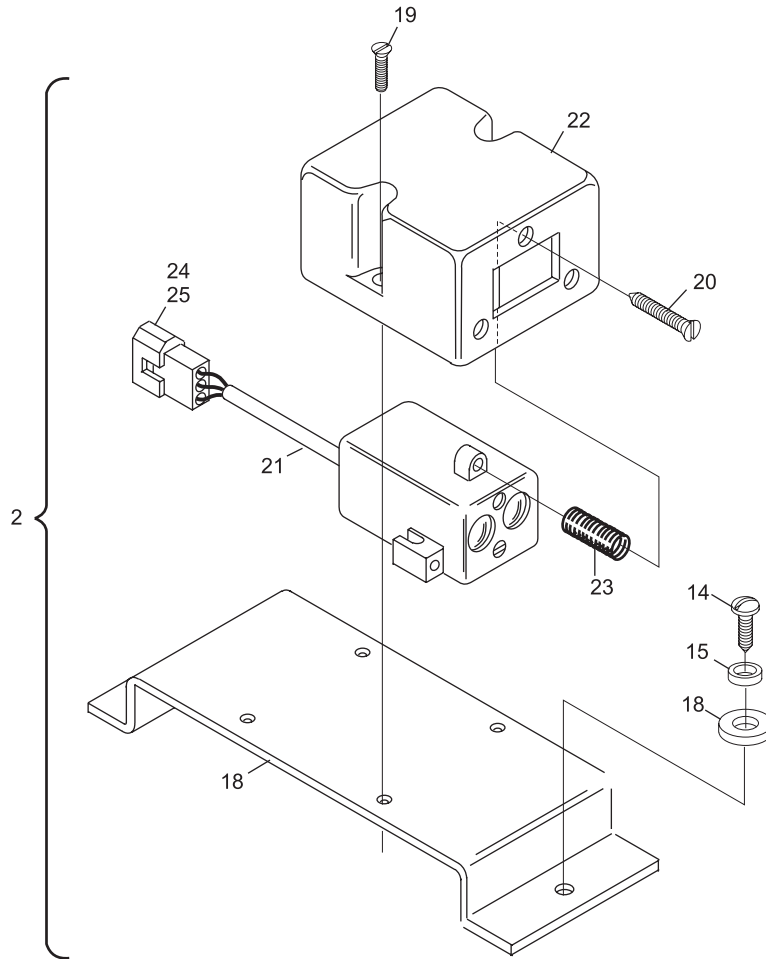
* = Not Illustrated

** Use replacement option 57-860507-000 Reflector and Hardware Pkg. (see index No. 31 for ordering)

Reflector and Ball Detector Assemblies - Silver Box and Universal Voltage Silver Box



FOR UNITS SO EQUIPPED



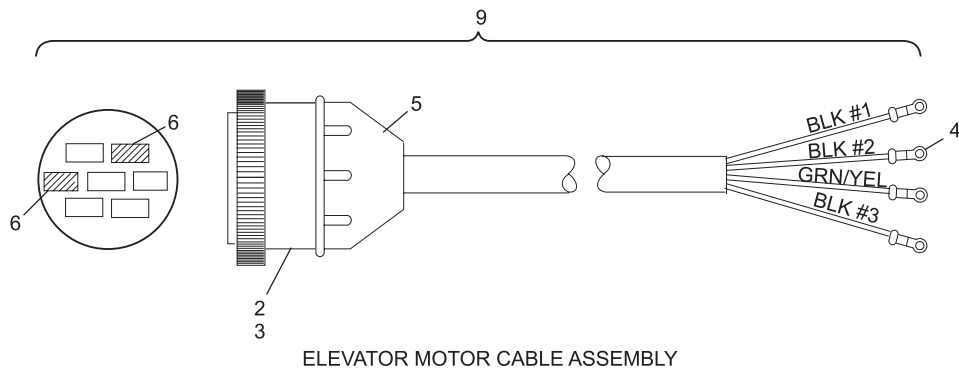
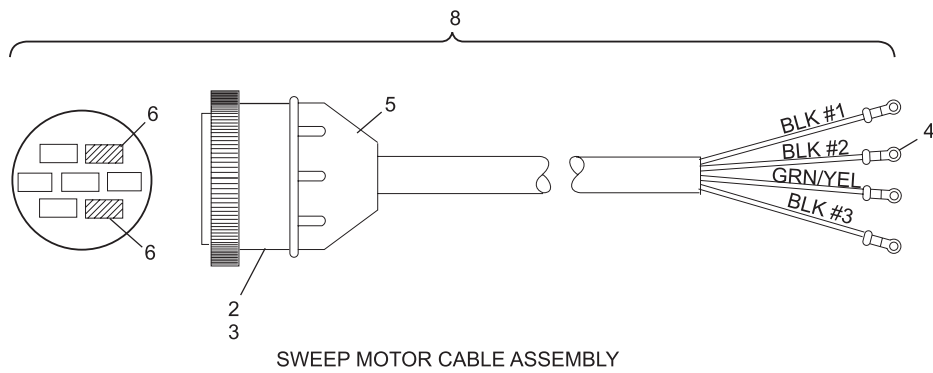
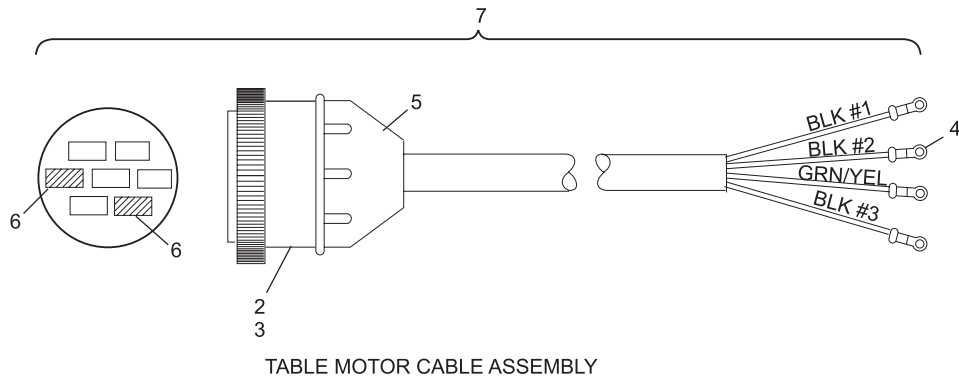
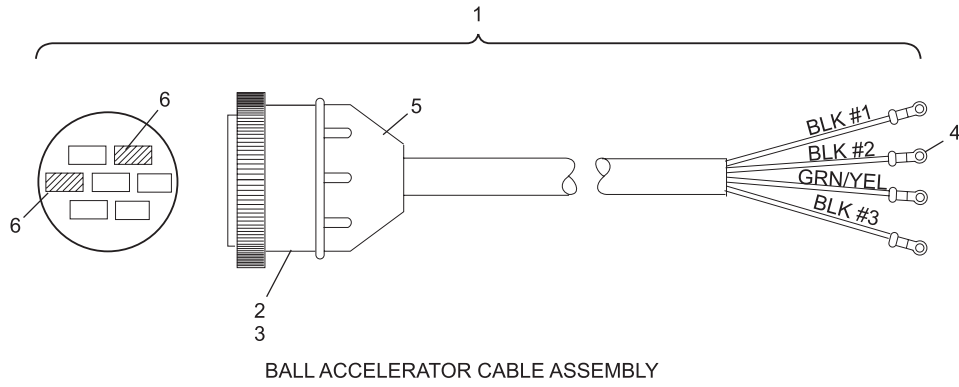
Reflector and Ball Detector Assemblies - Silver Box and Universal Voltage Silver Box

Index

No.	Part No.		Description
1.	68-100192-000	N.A.	Ball Accelerator Motor Cable Assembly
2.	11-615079-000	N.A.	Connector
3.	11-612577-000		Terminal
4.	11-612012-000	N.A.	Terminal
5.	11-615127-000		Cable Clamp
6.	11-614452-000	N.A.	Keying Plug
7.	68-100379-000		Table Motor Cable Assembly
8.	68-100380-000		Sweep Motor Cable Assembly
9.	68-100381-000		Elevator Motor Cable Assembly

N.A. = No Longer Available

**Ball Accelerator, Table, Sweep and Elevator Motor
Cable Assemblies - Universal Voltage Silver Box**



**Ball Accelerator, Table, Sweep and Elevator Motor
Cable Assemblies - Universal Voltage Silver Box**

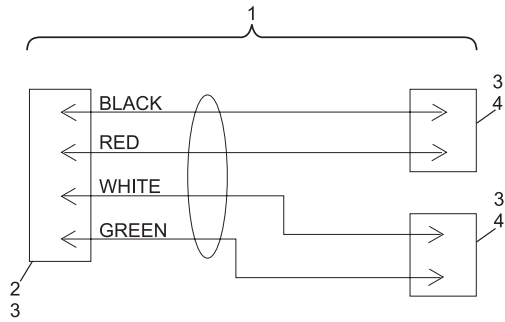
Index

No.	Part No.		Description
1.	N.A.		L.H. Ball Rack Reset Cable Assembly
2.	11-680105-000	N.A.	Connector
3.	11-680302-000	N.A.	Terminal
	57-860032-000	R.O.	Terminal - Male (Pkg. of 10)
4.	11-680116-000		Connector
5.	68-100199-000	N.A.	R.H. Ball Rack Reset Cable Assembly
6.	11-680301-000	N.A.	Terminal
	57-860031-000	R.O.	Terminal - Female (Pkg. of 20)
7.	*N.A.		L.H. High Voltage Box to Common Box
8.	11-680101-000		Connector Plug
9.	68-100383-000		R.H. High Voltage Box to Common Box
10.	68-100387-000		Power Adapter Cable Assembly
11.	11-615081-000	N.A.	Connector
12.	11-612576-000		Terminal
13.	11-615127-000		Cable Clamp
14.	11-680028-000		Connector
15.	11-680027-000		Connector

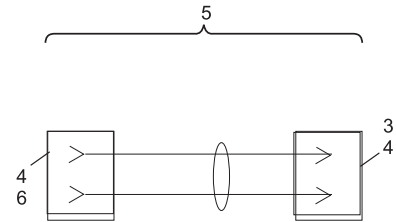
N.A. = No Longer Available

* Not Illustrated

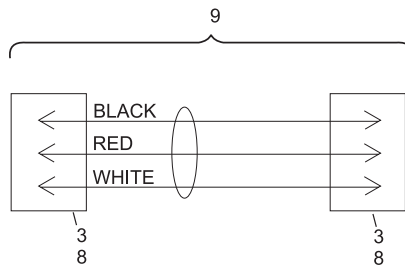
**Ball Rack Reset, High Voltage to Common Box
and Power Adapter Cable Assemblies - Universal Voltage Silver Box**



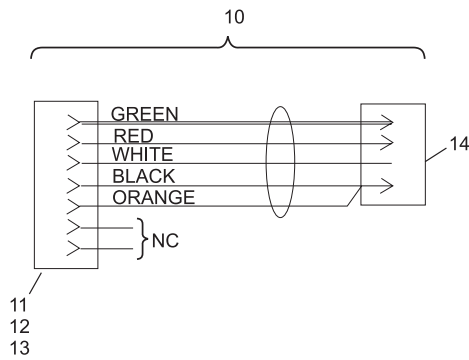
BALL RACK RESET CABLE ASSEMBLY
LEFT MACHINE



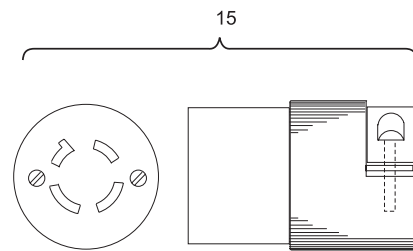
BALL RACK RESET CABLE ASSEMBLY
RIGHT MACHINE



HIGH VOLTAGE TO COMMON BOX CABLE ASSEMBLY
RIGHT HAND AND LEFT HAND MACHINES



POWER ADAPTER CABLE ASSEMBLY



TWIST LOCK CONNECTOR BODY

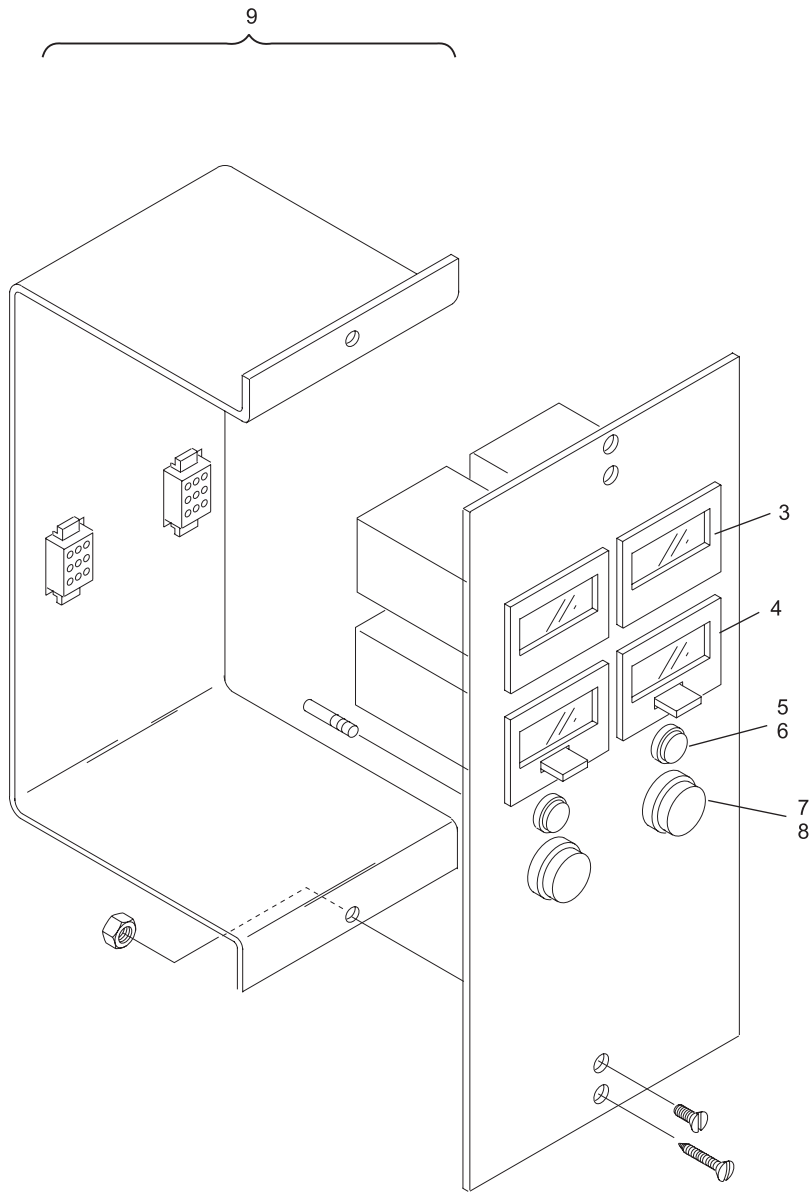
Ball Rack Reset, High Voltage to Common Box and Power Adapter Cable Assemblies - Universal Voltage Silver Box

Index

No.	Part No.		Description
1.	11-680106-000	N.A.	Connector
2.	11-680302-000	N.A.	Terminal
	57-860032-000		R.O. Terminal - Male (Pkg. of 10)
3.	47-223093-000	N.A.	Counter (non-resettable)
4.	47-223094-000		Counter (resettable)
5.	47-223095-000		Failure Lamp Assembly
6.	47-223096-000		Failure Lamp Bulb
7.	47-223097-000		Push Button Assembly w/Lamp
8.	47-223098-000		On-Off Lamp
9.	N.A		Manager's Control Assembly Complete

N.A. = No Longer Available.

**Manager's Control Box -
Silver Box Electrical and Universal Voltage Silver Box**



**Manager's Control Box -
Silver Box Electrical and Universal Voltage Silver Box**

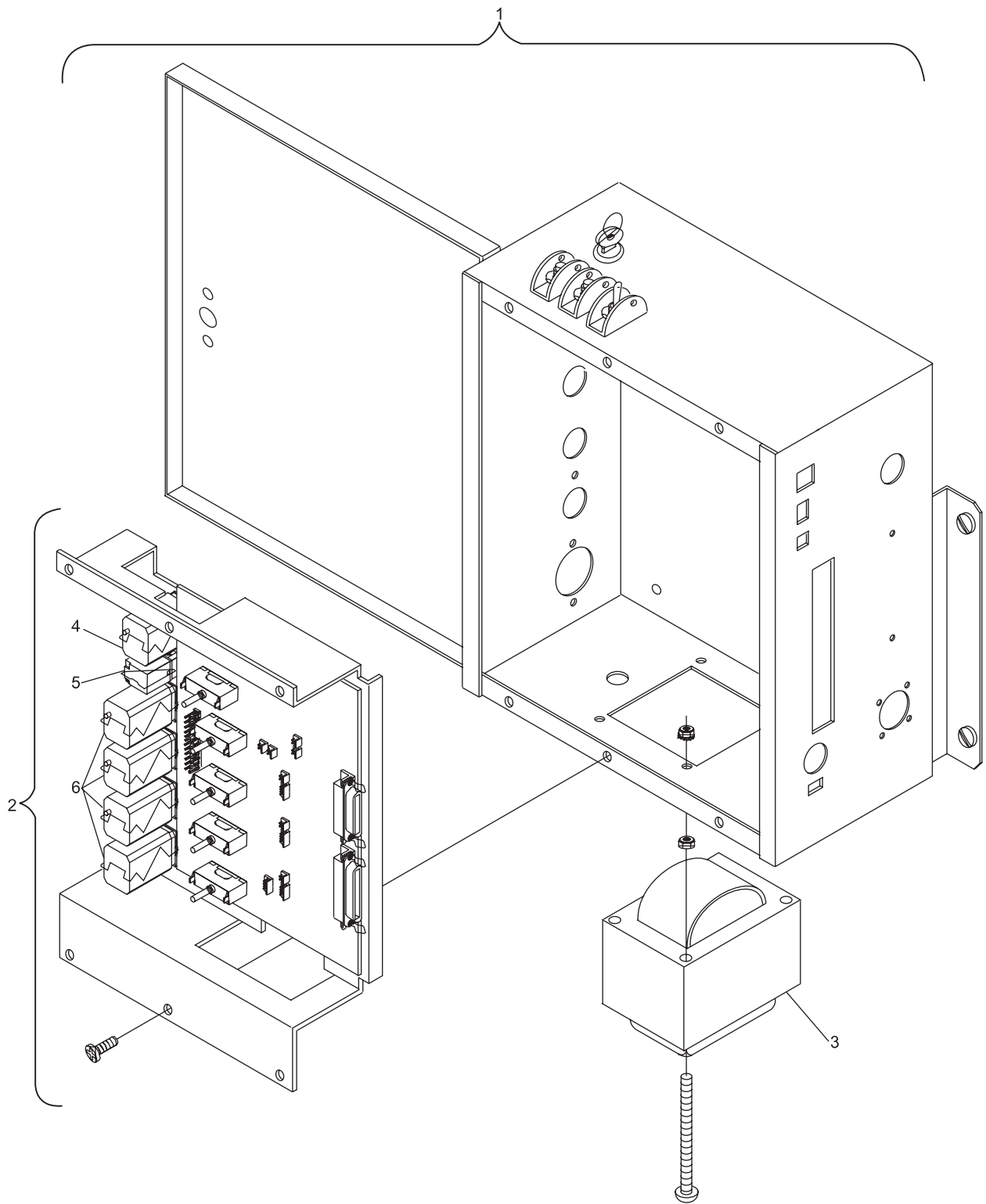
Index

No.	Part No.	Description
1.	N.A.	L.H. Side Function Solenoid & Switches Cable Assembly - Universal High Voltage Box Assembly
2.	N.A.	Chassis Assembly
3.	47-162856-000	N.A. Transformer Assembly
4.	N.A.	Relay Only
5.	N.A.	Relay Only
6.	N.A.	Relay Only

N.A. = No Longer Available

N.A.

High Voltage Box - Silver Box



N.A.
High Voltage Box - Silver Box

Index

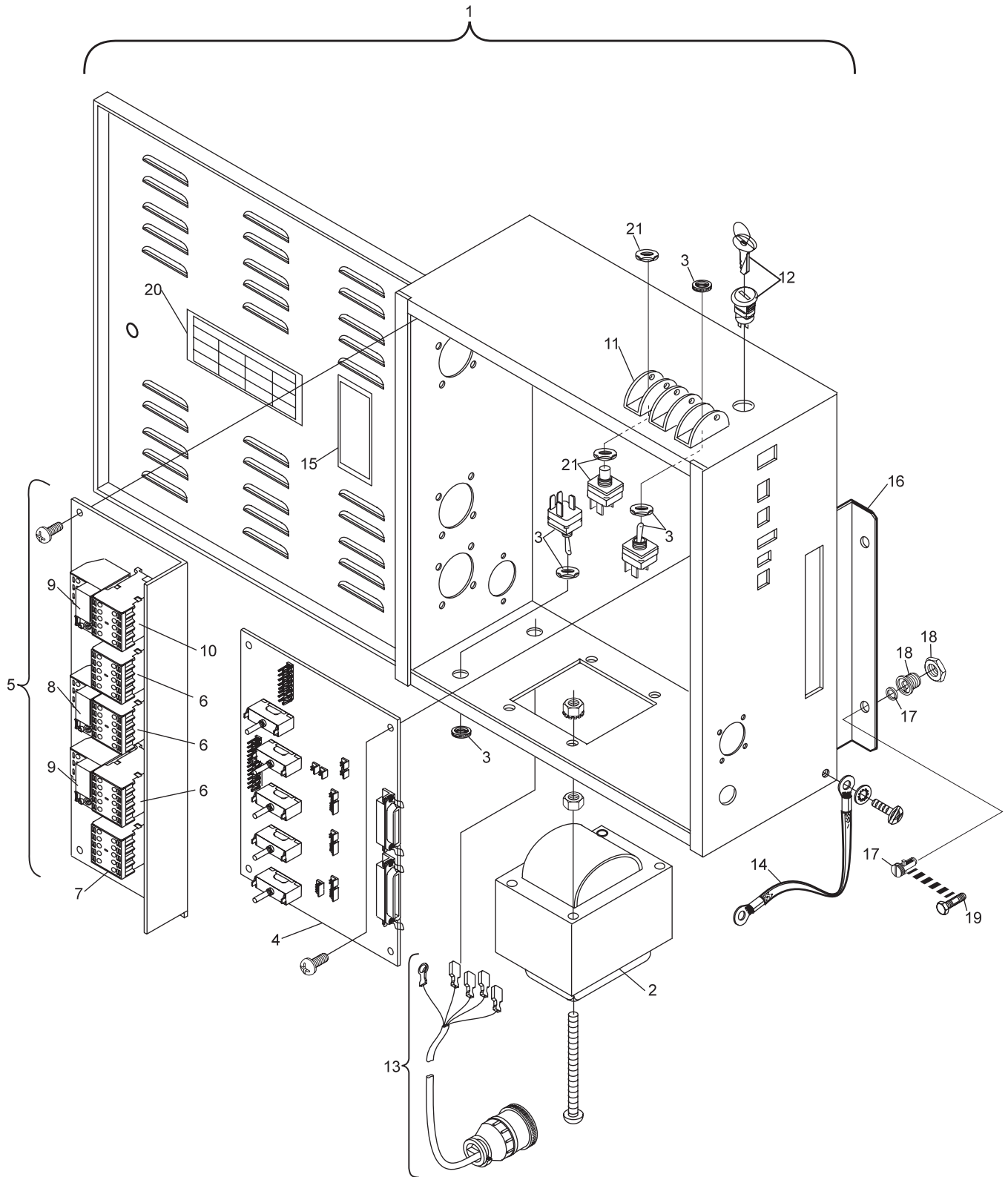
No.	Part No.		Description
1.	47-862712-000	N.A.	High Voltage Box Assembly
2.	47-162939-000		Transformer Assembly
3.	11-615515-000		Toggle Switch
4.	47-862502-000	N.A.	PCB Assembly - Note: <i>Electronic Repair Center services this item as part number 47-162839-800.</i>
5.	47-162942-000	N.A.	Power Panel Assembly
6.	11-671513-000		Contactor
7.	11-671514-000		Relay Contactor
8.	11-671531-000	N.A.	Relay
	11-671003-000	R.O.	Overload Relay
9.	11-671532-000	N.A.	Relay
10.	11-671521-000	N.A.	Relay Contactor
11.	12-502527-000	N.A.	Switch Guard
12.	47-162821-000	N.A.	Keyswitch Assembly
13.	47-162937-000	N.A.	Power Cord Assembly
14.	68-100273-000		Ground Cable Assembly
15.	N.A.		Label "Copyright"
16.	47-162514-000	N.A.	Mounting Bracket
17.	11-601800-000	N.A.	Quick Lock Stud w/Locking Ring
18.	11-601850-000	N.A.	Quick Lock Receptacle w/Locknut
19.	*N.A.		Hex Head Flange Bolt w/Nylon Patch
20.	47-162600-000	N.A.	Label "Overload Breaker Adjustment"
21.	11-615013-000		Momentary Switch

N.A. = No Longer Available

R.O. = Replacement Option

* Replaces index nos. #18 and #17.

High Voltage Box - Universal Voltage Silver Box



High Voltage Box - Universal Voltage Silver Box

Index

No.	Part No.		Description
1.	47-862711-401	N.A.	Gamesetter Box Assembly Complete w/Smart Shark
	47-862708-402	N.A.	Gamesetter Box Assembly
2.	*N./A.		Smart Shark CPU PCB Assembly (Brunswick Rapid Exchange)
	47-862782-402	N.A.	Silver Box CPU PCB Assembly (Brunswick Rapid Exchange)
3.	47-862801-000	N.A.	I/O PCB Assembly - Universal Voltage Silver Box
	47-862785-000		I/O PCB Assembly - Silver Box
4.	47-142833-000	N.A.	Keyswitch Assembly
	47-862503-000	R.O.	Key Switch Assembly
5.	47-142830-000	N.A.	Switch Assembly
6.	11-652052-000	N.A.	Rubber Washer (3/16)
7.	11-601800-000	N.A.	Quick Lock Stud w/Locking Ring
8.	47-142832-000	N.A.	Ribbon Cable Assembly
9.	11-679604-000	N.A.	Vibration Insulator
10.	12-502527-000	N.A.	Switch Guard
11.	N.A.		Label "Software Revision"
12.	11-601850-000	N.A.	Quick Lock Receptacle w/Locknut
13.	**N.A.		Hex Head Flange Bolt w/nylon Patch

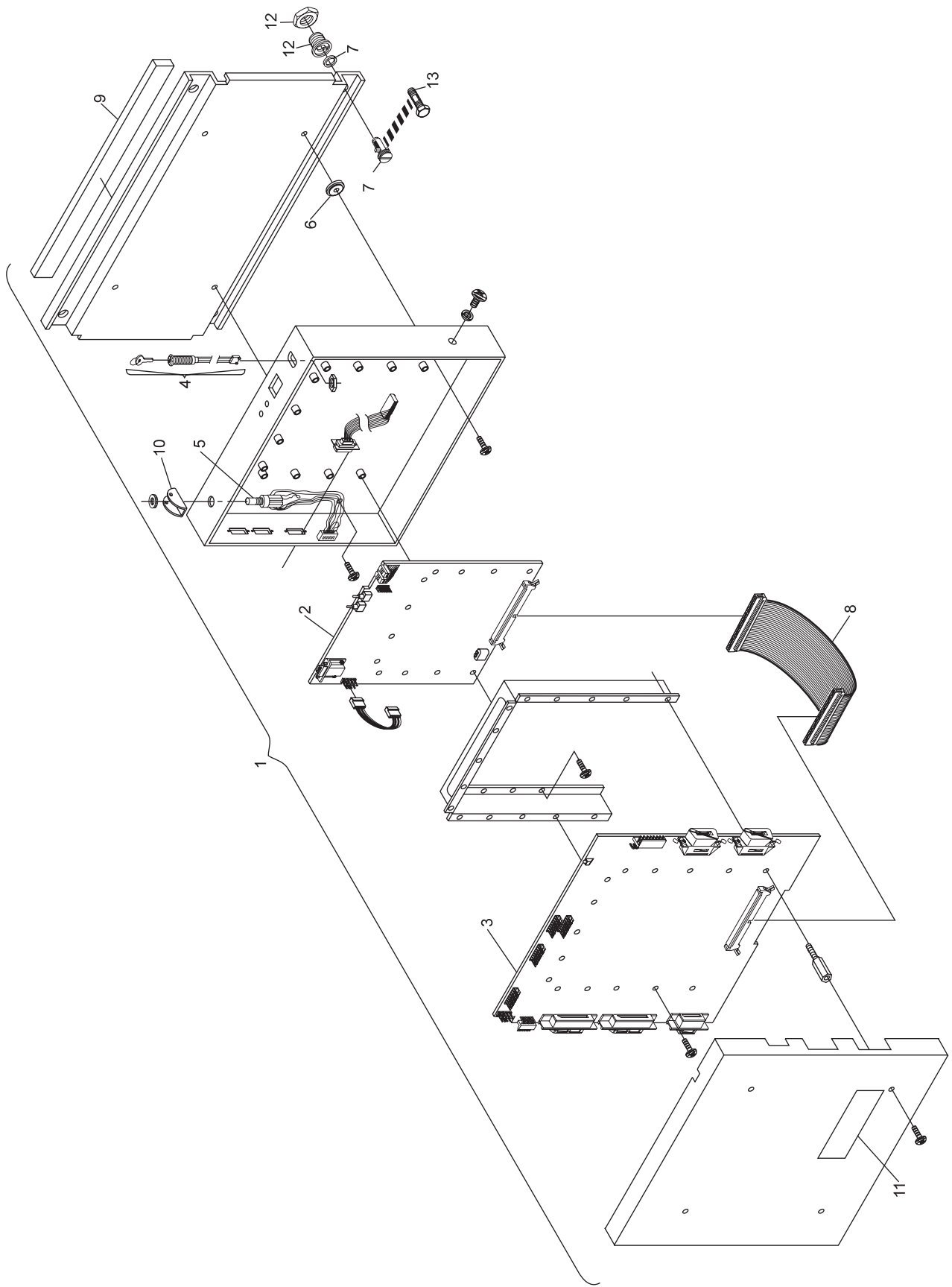
N.A. = No Longer Available

R.O. = Replacement Option

* Remove EPROM and Replace with Existing Software If Not Smart Shark.

** Replaces index nos. 7 and 12.

Gamesetter Box - Silver Box and Universal Voltage Silver Box

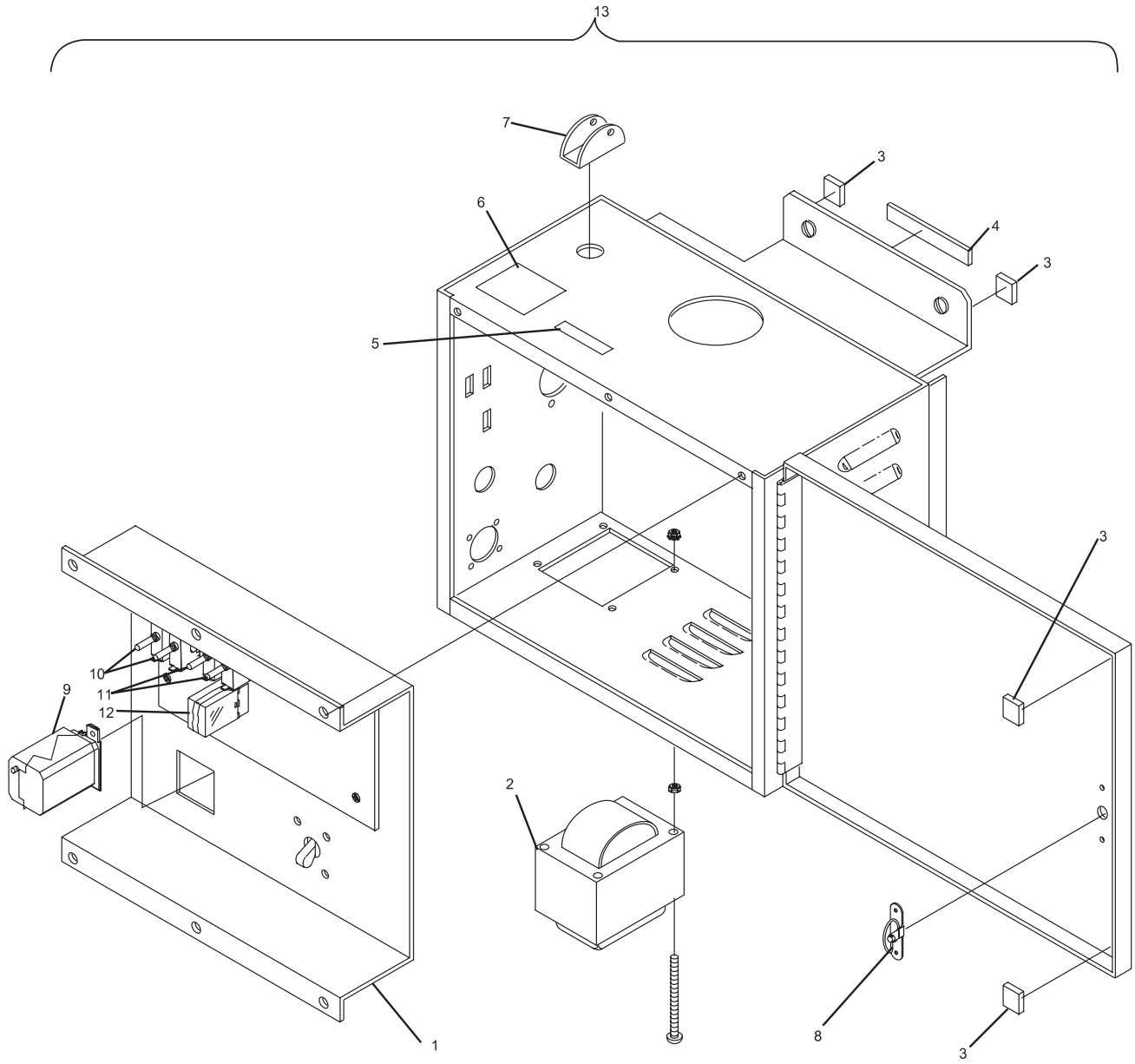


Gamesetter Box - Silver Box and Universal Voltage Silver Box

Index

No.	Part No.		Description
1.	N.A.		Chassis Assembly
2.	47-172844-000	N.A.	Transformer Assembly
3.	N.A.		Vibration Insulator
4.	11-679603-000	N.A.	Vibration Insulator
5.	10-900901-000	N.A.	Label "Patent Pending"
6.	47-172523-000	N.A.	Label "Serial Number"
7.	12-502527-000	N.A.	Switch Guard
8.	57-214276-007		Fastener
9.	11-696609-000		Push Button Relay (24V)
10.	11-696630-000	N.A.	Circuit Breaker
11.	11-696628-000		Circuit Breaker
12.	11-696610-000	N.A.	Relay
13.	47-862707-000	N.A.	Common Box Assembly (Brunswick Rapid Exchange)

N.A. = No Longer Available



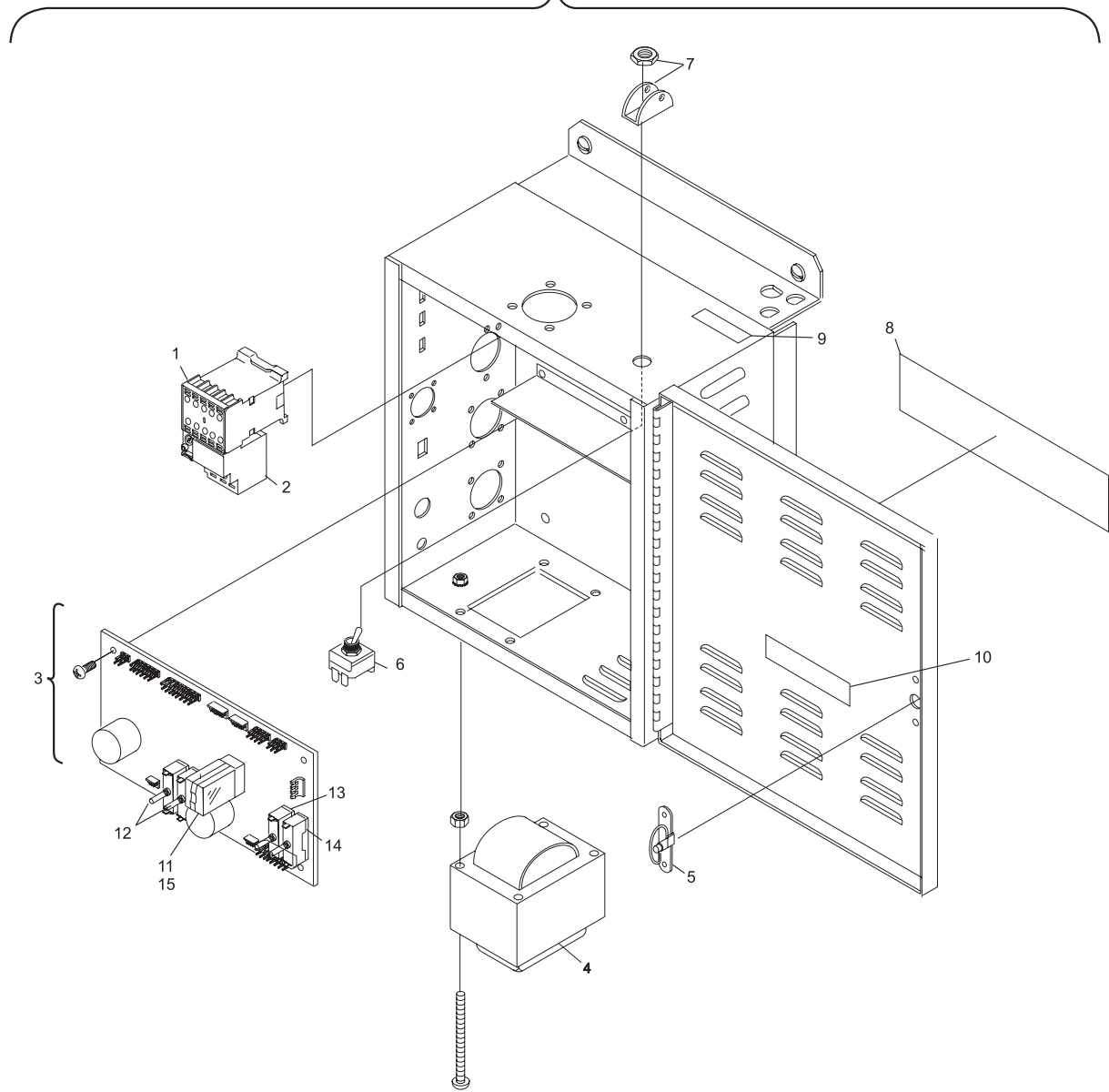
Common Box - Silver Box

Index

No.	Part No.		Description
1.	11-671513-000		Contactator
2.	11-671532-000	N.A.	Relay
	11-671002-000	R.O.	Overload Relay
3.	47-862783-000		PCB Assembly
4.	47-172912-000		Transformer Assembly
5.	57-214276-007		Spring Latch
6.	11-615510-000	N.A.	Toggle Switch
7.	12-502527-000	N.A.	Switch Guard
8.	N.A.		Label "Model GS-10"
9.	N.A.		Label "U.L."
10.	N.A.		Label "Overload Breaker Adjustment"
11.	11-696610-000	N.A.	Relay
12.	11-696628-000		Circuit Breaker
13.	11-696630-000	N.A.	Circuit Breaker
14.	11-696626-000	N.A.	Circuit Breaker
15.	11-696678-000	N.A.	Relay Mounting Clip
16.	47-862745-000	N.A.	Common Box Assembly (Brunswick Rapid Exchange)

N.A. = No Longer Available

R.O. = Replacement Option



Common Box - Universal Voltage Silver Box