

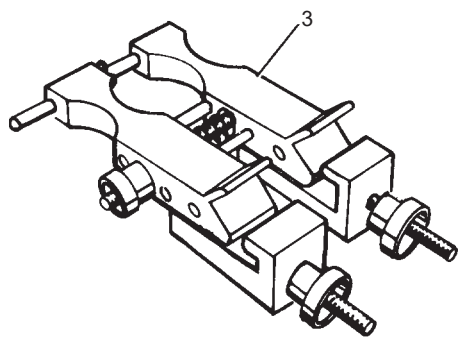
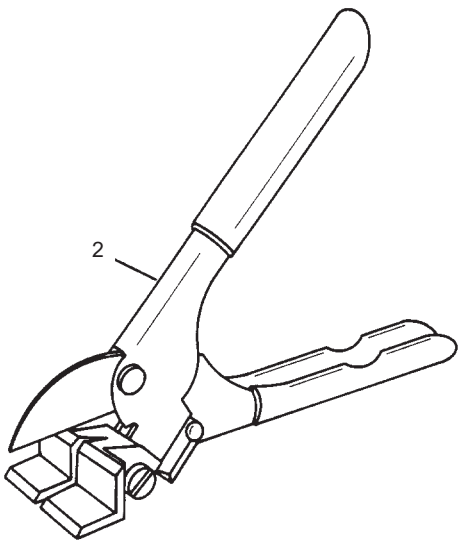
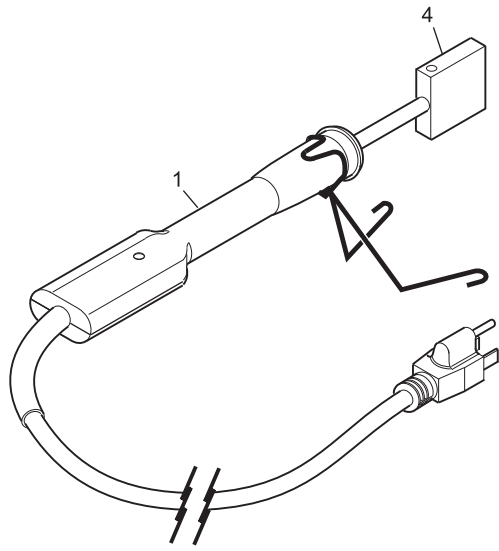
Section P

MISCELLANEOUS

Index

No.	Part No.	Description
1.	47-097132-000	Belt Welding Iron (115V)
	47-097133-000	Belt Welding Iron (230V)
2.	47-093876-004	Belt Cutter
3.	47-862770-000	Round Belt Welding Clamp
4.	47-097136-000	OEM Belt Welding tip for 115V & 230V
5.	*47-277134-009	Belt Welding Kit - 115VAC (includes index Nos. 1, 2, and 3)
	*47-277135-009	Belt Welding Kit - 230VAC (includes index Nos. 1, 2, and 3)

* Not Illustrated

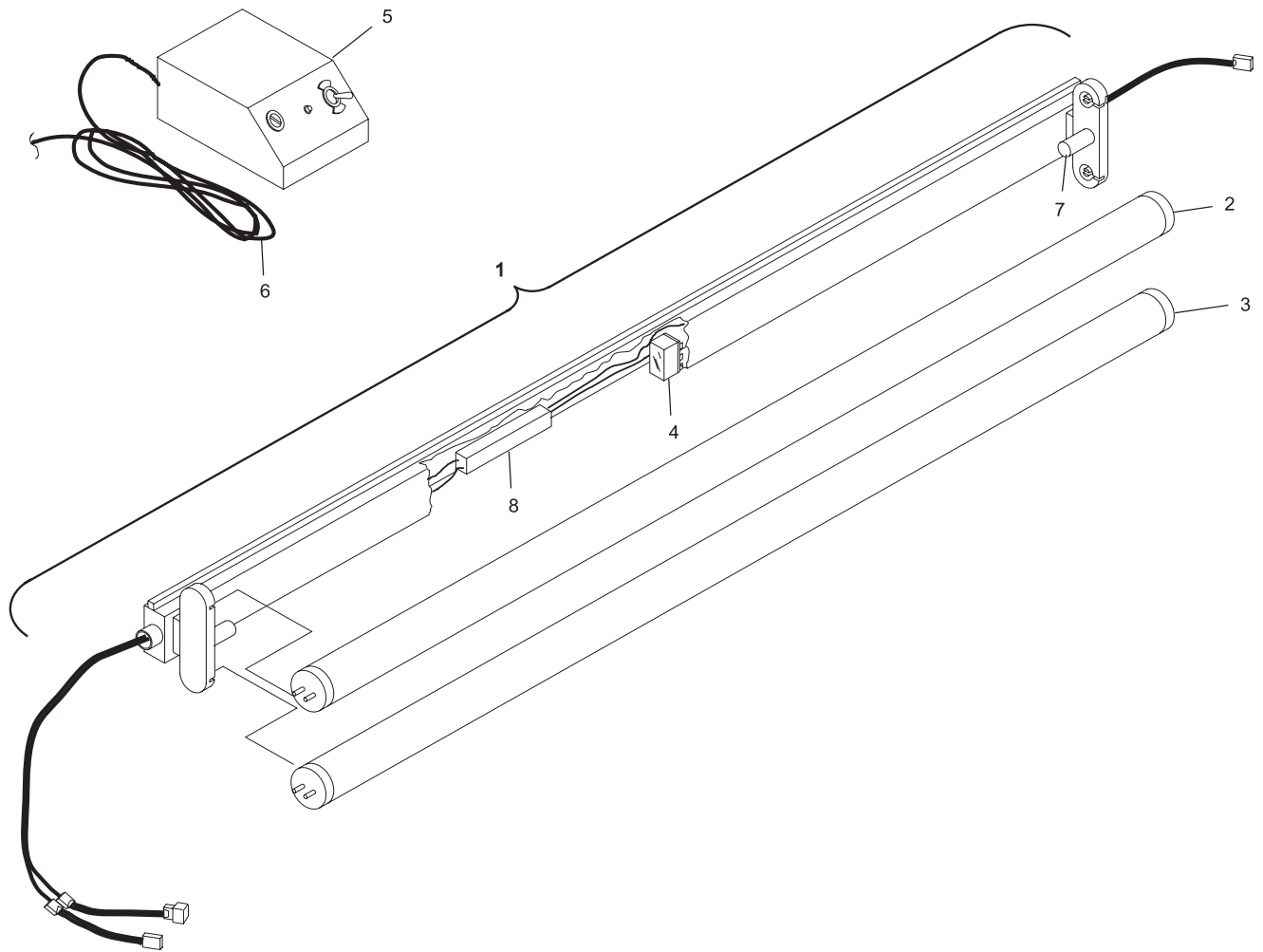


Belt Welding Kit and Belt Cutter

Index

No.	Part No.	Description
1.	47-225723-004	Dual Light Assembly - w/o Bulbs or Power Supply/Control Unit (230/380 Volt)
	47-225722-004	Dual Light Assembly - without Bulbs or Power Supply/Control Unit (208 Volt)
2.	47-203152-000	Bulb - White
3.	99-220385-004	Bulb - Black
4.	99-220366-004	Relay (24VAC)
5.	47-225254-003	Power Supply/Control Unit
6.	47-225263-004	Controller Cable
7.	47-203147-000	Starter (230/380 volt pinsetters only)
8.	47-225732-004	Electronic Ballast (208 Volt)
	47-226294-004	Electronic Ballast (230 Volt)

**Dual Pin Lamp System
(Machine Series 443 and Above)**



**Dual Pin Lamp System
(Machine Series 443 and Above)**