

Section A

ELEVATOR

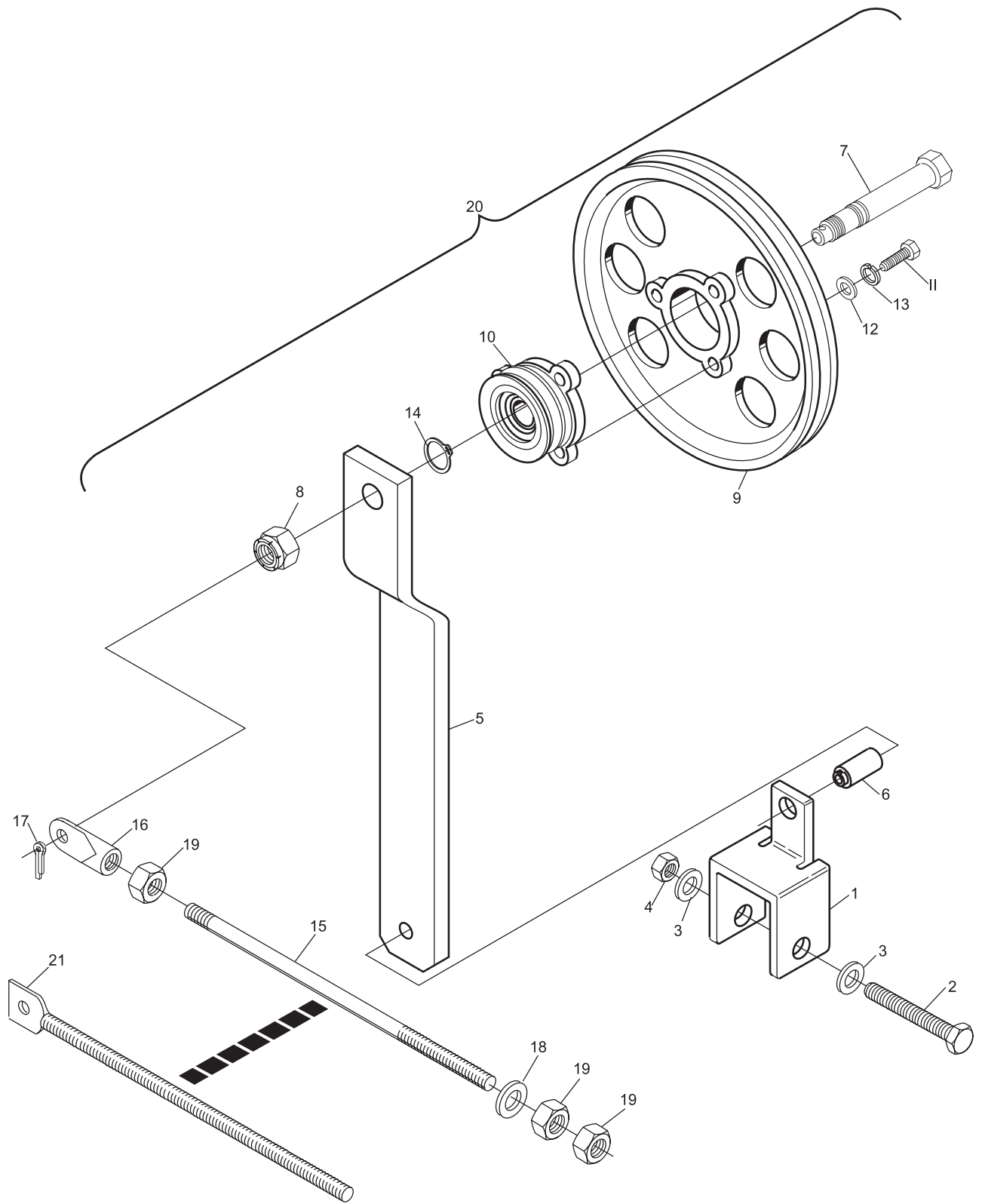
Index

No.	Part No.		Description
1.	N.A.		Support Bracket (order index # 20)
2.	11-051064-001		Hex Hd. Machine Screw (8 mm x 65 mm)
3.	11-052006-001		Flat Washer (8.4 mm)
4.	11-051744-001		Locknut (8 mm)
5.	47-014058-003	N.A.	Lever
6.	11-052691-001		Rolled Pin (10 mm x 26 mm)
7.	47-014059-004		Bearing Bolt
8.	11-051745-001		Locknut (10 mm)
9.	47-022410-003		Round Belt Pulley
10.	47-014054-003		V-Belt Adaptor Pulley
11.	11-051028-001		Hex Hd. Machine Screw (6 mm x 25 mm)
12.	11-052008-001		Flat Washer (6.4 mm)
13.	11-051769-001		Lockwasher (6 mm)
14.	11-051852-001		Retaining Ring (17 mm)
15.	47-013930-004		Threaded Rod (older version)
16.	47-013916-004		Rod End Adaptor
17.	11-051793-001		Cotter Pin (2 mm x 16 mm)
18.	11-052028-001		Flat Washer (10.5 mm)
19.	11-051703-001		Hex Nut (10 mm)
20.	47-014053-001		Elevator Belt Tensioner Assembly
21.	47-014718-004	S.O.	Threaded Rod (newer version)

N.A. = No Longer Available

S.O. = Special Order

**Elevator Belt Tensioner Assembly
Short Pit Machines Series 43 and Above**



**Elevator Belt Tensioner Assembly
Short Pit Machines Series 43 and Above**