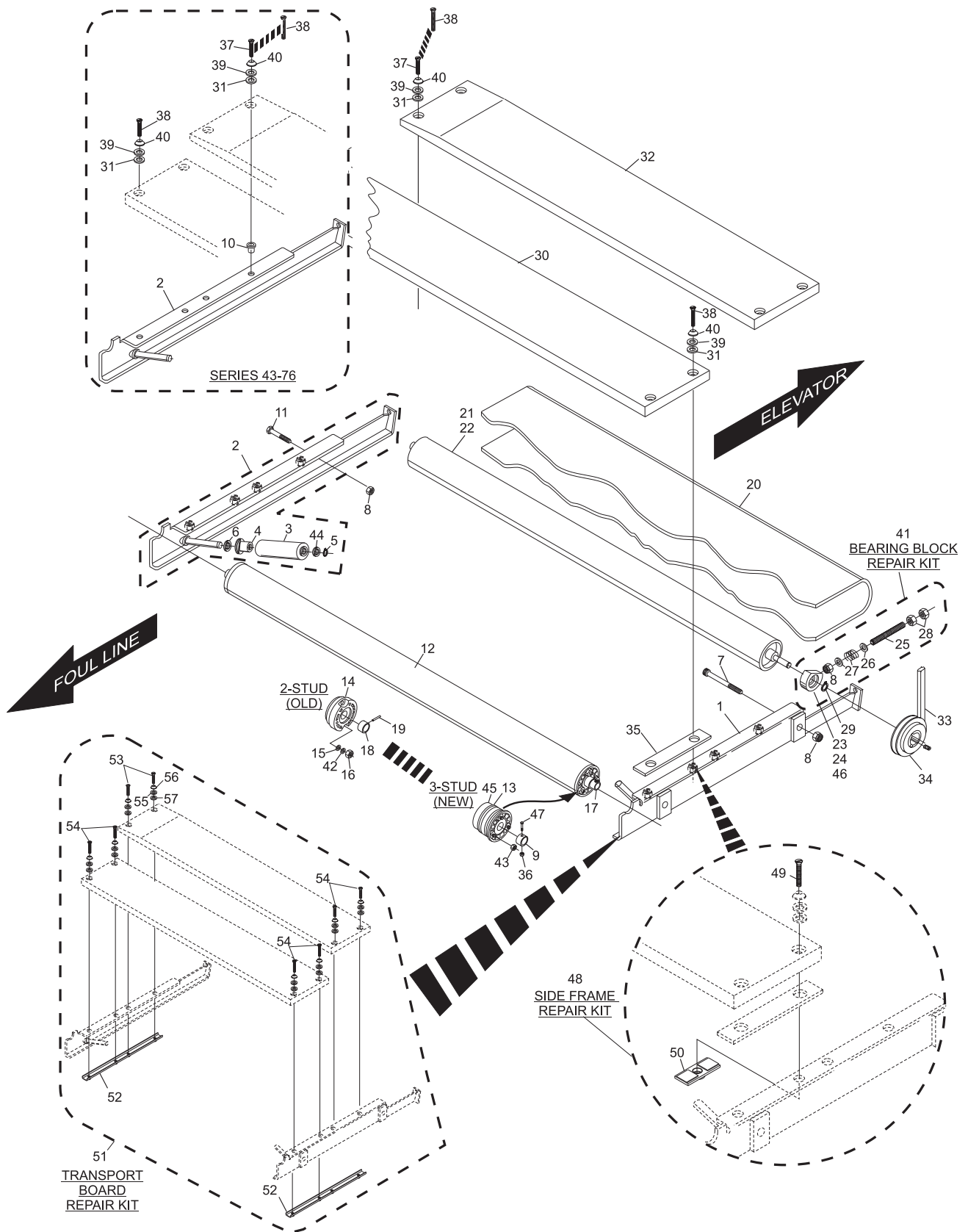


Section B

**TRANSPORT BAND**

Index No.	Part No.	Description	Index No.	Part No.	Description
1.	47-023922-002	N.A. R.H. Transport Band Side Frame Complete (8 mm Rubber Wellnut Mount)	33.	11-053909-000	V Belt (10 mm x 6 mm x 2560 mm) - use with 110 mm pulley
	47-024735-002	N.A. R.H. Transport Band Side Frame Complete (8 mm Welded Nut)			11-053910-000 V-Belt (10 mm x 6 mm x 2650 mm) use with 125 mm pulley
	*47-024735-009	R.O. R.H. Transport Band Side Frame Complete (10 mm)	34.	47-024330-004	V-Belt Pulley (110 mm)
2.	47-023923-002	N.A. L.H. Transport Band Side Frame Complete (8 mm Rubber Wellnut Mount)	35.	47-023915-004	V-Belt Pulley (125 mm)
	47-024736-002	N.A. L.H. Transport Band Side Frame Complete (8 mm Welded Nut)	36.	11-051746-001	Rubber Spacer
	*47-024736-009	R.O. L.H. Transport Band Side Frame Complete (10 mm)	37.	11-052401-001	Locknut (3 mm)
3.	47-020942-003	Roller	38.	11-052402-001	Slted. Pan Hd. Machine Screw (8 mm x 50 mm)
4.	47-020943-004	Roller Bushing			N.A. Slted. Pan Hd. Machine Screw (8 mm x 60 mm)
5.	11-051858-001	Retaining Ring (15 mm)	39.	47-023663-004	Rubber Washer (3 mm x 24 mm x 8 mm)
6.	11-052053-001	N.A. Flat Washer (17 mm)	40.	11-052150-001	Finishing Washer (8 mm)
	47-861011-001	R.O. Flat Washer (17 mm) Pkg. of 10	41.	**47-274332-002	Bearing Block Repair Kit
7.	11-051565-009	Socket Hd. Machine Screw (10 mm x 110 mm)	42.	11-051770-001	Lock Washer (8 mm)
	11-051569-009	R.O. Socket Hd. Machine Screw (M10 x 120 mm) Pkg. of 10	43.	11-051743-001	Hex Nut (6 mm)
8.	11-051745-001	Lock Nut (10 mm)	44.	11-052064-001	N.A. Flat Washer (15 mm)
9.	47-026370-009	Spacer Bushing (21 mm) - Qty. of 2 47-276153-009	45.	47-025178-003	Bearing (3-stud)
		Side Frame Repair Kit (contains 1 Repair Nut 47-276153-000 and 1 screw 11-052930-000)	46.	11-051902-001	Retaining Ring (52 mm)
10.	11-135400-000	Rubber Well Nut (8 mm, machine series 43 to 76)	47.	11-051561-001	Hex Head Cap Screw (3 mm x 30 mm)
11.	11-051045-001	Hex Hd. Machine Screw (10 mm x 30 mm)	48.	47-276153-009	Side Frame Repair Kit (contains 1 Repair Nut 47-276153-000 and 1 screw 11-052930-000)
12.	47-023981-002	Roller Assembly Complete, (front) 3 Stud End Cap - Replaces 2 Stud End Cap Roller Assembly	49.	11-052930-000	N.A. Screw - See index 48
13.	47-860013-000	Pkg. O-Rings (Qty. of 4)	50.	47-276153-000	N.A. Repair Nut - see index 48
14.	47-020908-003	End Cap w/Bearing (2 Stud Front rollers Only)	51.	47-276153-009	Side Frame Repair Kit (contains 1 Repair Nut 47-276153-000 and 1 screw 11-052930-000)
15.	11-052003-001	Flat Washer (8.4 mm)	52.	47-024743-003	Reinforcement Bracket
16.	11-051744-001	Locknut (8 mm)	53.	11-052930-000	Screw Socket Flat Head (M10 x 60 mm)
17.	47-023933-004	Shaft - Front	54.	11-052931-000	N.A. Screw Socket Flat Head (M10 x 70 mm)
18.	47-023982-004	N.A. Spacer Bushing (13.5 mm)	55.	47-024739-004	Rubber Washer
	47-026371-009	R.O. Spacer Bushing (13.5 mm) - Qty. of 2	56.	47-024740-004	Finish Washer
19.	11-052676-001	Roll Pin (3 mm x 30 mm)	57.	11-052025-001	Flat Washer (10.5 mm x 25 mm x 2 mm)
20.	11-635201-000	Transport Band Carpet (2020 mm x 1440 mm)			<i>N.A. = No Longer Available</i>
	11-635201-100	Certified Transport Band Belt			<i>R.O. = Replacement Option</i>
21.	47-025051-001	Odd Lane Short Roller Assembly Complete (rear) See index 21, page 13B			<i>* When replacing 8 mm side frame with 10 mm frames,, also order 10 mm hardware (see index No. 31, 37, 39, 40 from page 12B.)</i>
22.	47-024905-001	Even Lane Short Roller - Assembly Complete (rear) See index 22, page 13B			<i>If replacing side frames equipped with rubber weld-nut frames, both side frames must be replaced. Also order 10 mm hardware and rubber spacers (see index No. 31, 35, 37, 39, 40 from page 12B.)</i>
23.	47-024094-003	Housing			<i>**Includes index nos. 23, 24, 25, 26, 27 &amp; 28</i>
24.	11-430055-000	Deep Groove Ball Bearing			NOTE: For faster transport band belt/pulley operation, order 1 each:
25.	47-024093-004	Threaded Rod (10 mm x 140 mm)			47-025049-000 (125 mm Pulley),
26.	11-052050-001	Flat Washer (10.5 mm)			11-053910-000 (125 mm V-Belt),
27.	47-024309-004	Spring			47-093863-003 (12/15 mm Pulley),
28.	11-051703-001	Hex Nut (10 mm)			47-024838-004 (Polycord Belt)
29.	11-051853-001	Retaining Ring (20 mm)			
30.	47-023959-003	Front Board Assembly Complete			
31.	11-052019-001	Flat Washer (8.4, GS-92)			
32.	47-025175-003	L.H. Rear Board Assembly - Complete (odd lane)			
	47-025176-003	R.H. Rear Board Assembly - Complete (even lane)			

## Transport Band Assembly (8 mm Side Frames) Short Pit Machines Series 43 through 207

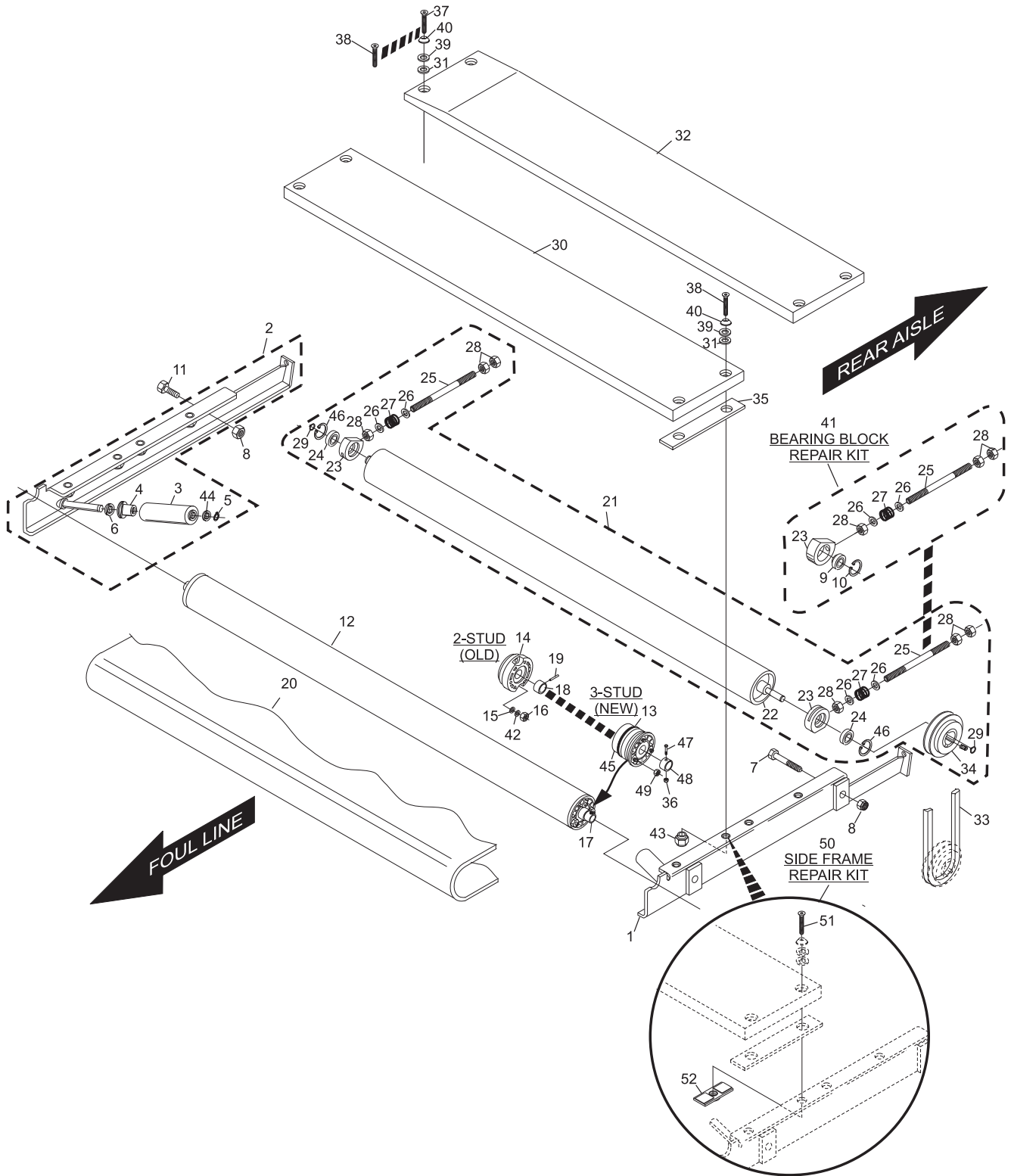


**Transport Band Assembly (8 mm Side Frames)  
Short Pit Machines Series 43 through 207**

Index No.	Part No.	Description	Index No.	Part No.	Description
1.	47-024735-009	R.H. Transport Band Side Frame Complete	33.	11-053909-000	V Belt (10 mm x 6 mm x 2560 mm) - use with 110 mm pulley
2.	47-024736-009	L.H. Transport Band Side Frame Complete	34.	47-025049-004	V-Belt Pulley (125 mm)
3.	47-020942-003	Roller	35.	47-023915-004	Rubber Spacer
4.	47-020943-004	Roller Bushing	36.	11-051746-001	Locknut (3 mm)
5.	11-051858-001	Retaining Ring (15 mm)	37.	11-052929-000	Socket Flat Hd. S.S. Screw (10 mm x 50 mm)
6.	47-861011-001	Flat Washer (17 mm) Pkg. of 10	38.	11-052930-000	Socket Flat Hd. Cap Screw S.S. (10 mm x 60 mm)
7.	11-051565-009	Socket Hd. Machine Screw (10 mm x 110 mm)	39.	47-861042-001	Rubber Washers (Pkg of 10)
	11-051569-009	R.O. Socket Hd. Machine Screw (M10 x 120 mm) Pkg. of 10	40.	11-052150-001	47-024740-004 Finishing Washer (5.3 mm x 28 mm x 10.2 mm)
8.	11-051745-001	Lock Nut (10 mm)	41.	47-274332-002	Bearing Block Repair Kit
9.	11-054225-000	N.A. Bearing w/Conical Insert - See index 24	42.	11-051770-001	Lock Washer (10 mm)
10.	47-276153-000	N.A. Repair Nut - see index 46	43.	11-050326-001	Rivot Nut
11.	11-051045-001	Hex Hd. Machine Screw (10 mm x 30 mm)	44.	11-052064-001	N.A. Flat Washer (15 mm)
12.	47-023981-002	Roller Assembly Complete, (front) 3 Stud End Cap - Replaces 2 Stud End Cap Roller Assembly	44.	47-861014-001	R.O. Pkg. of 10 Flat Washer (15 mm)
13.	47-860013-000	Pkg. O-Rings (Qty. of 4)	45.	47-025178-003	Bearing (3-stud)
14.	47-020908-003	End Cap w/Bearing (2 Stud Front rollers Only)	46.	11-051902-001	Retaining Ring (52 mm)
15.	11-052003-001	Flat Washer (8.4 mm)	47.	11-051561-001	Hex Head Cap Screw (3 mm x 30 mm)
16.	11-051744-001	Locknut (8 mm)	48.	47-026370-009	Spacer Bushing (21 mm) - Qty. of 2
17.	47-023933-004	Shaft - Front	49.	11-051743-001	Hex Nut (6 mm)
18.	47-026371-009	Spacer Bushing (13.5 mm) - Qty. of 2	50.	47-276153-009	Side Frame Repair Kit (contains 1 each index 51 and index 52)
19.	11-052676-001	Roll Pin (3 mm x 30 mm)	51.	11-052930-000	N.A. Screw Socket Flat Head-see index 50
20.	11-635201-000	Transport Band Carpet (2020 mm x 1440 mm)	52.	47-276153-000	N.A. Repair Nut - see index 50
	11-635201-100	Certified Transport Band Belt			
21.	47-025051-001	Odd Lane Short Roller Assembly Complete (rear)			
22.	47-024905-001	Even Lane Short Roller Assembly Complete (rear)			
23.	47-024094-003	Housing			
24.	11-430055-000	Deep Groove Ball Bearing			
25.	47-024093-004	Threaded Rod (10 mm x 140 mm)			
26.	11-052050-001	Flat Washer (10.5 mm)			
27.	47-024309-004	Spring			
28.	11-051703-001	Hex Nut (10 mm)			
29.	11-051853-001	Retaining Ring (20 mm)			
30.	47-023959-003	Front Board Assembly Complete			
31.	47-024741-004	Flat Washer (10.5 mm)			
32.	47-025175-003	L.H. Rear Board Assembly - Complete (odd lane)			
	47-025176-003	R.H. Rear Board Assembly - Complete (even lane)			

N.A. = No Longer Available  
R.O. = Replacement Option

## Transport Band Assembly (10 mm Side Frames) Short Pit Machines Series 208 and Above



**Transport Band Assembly (10 mm Side Frames)  
Short Pit Machines Series 208 and Above**