

Section D

ACCELERATOR

Index			Index		
No.	Part No.	Description	No.	Part No.	Description
1.	*47-031054-002	Ball Door	36.	47-031801-004	Connecting Link
2.	11-051018-001	Hex Hd. Cap Screw (6 mm x 20 mm)	37.	11-051791-001	Split Pin (1.6 mm x 10 mm)
3.	11-051743-001	Locknut (6 mm)	38.	47-031799-004	Tension Spring
4.	11-051793-001	Cotter Pin (2 mm x 16 mm)	39.	47-031798-004	Connecting Stud
5.	11-051067-001	Hex Hd. Cap Screw (8 mm x 35 mm)	40.	47-031802-004	Lever
6.	11-430046-000	Bearing	41.	47-033558-009	R.H. Locking Mechanism Complete
7.	11-051060-001	Hex Hd. Cap Screw (6 mm x 70 mm)	42.	***47-033557-009	L.H. Locking Mechanism
8.	11-051061-001	Hex Hd. Cap Screw (8 mm x 75 mm)	43.	**47-243030-004	N.A. Solenoid Assembly Complete (silver box, consolidated box, and nexgen electronics)
9.	47-031090-004	Support Brace		99-070356-004	R.O. Solenoid Assembly
10.	*47-031058-001	Arm - all GS pinsetters - see note	44.	47-033556-009	R.H. Ball Door with Arm Complete 7 Pin Side, R.H. Even Lane (shown)
11.	11-051008-001	Hex Hd. Cap Screw (6 mm x 10 mm)	45.	47-033555-009	L.H. Ball Door with Arm Complete 10 Pin Side L.H. Odd Lane (not shown)
12.	11-051744-001	Locknut (8 mm)	46.	47-030276-004	Ball Door Arm Tension Spring
13.	47-031822-004	Lever	47.	11-054301-001	N.A. Hitch Pin (3 mm x 62 mm)
14.	47-031056-003	L.H. Ball Door Key		47-861032-001	R.O. Hitch Pin (3 mm x 62 mm) Pkg. of 10
15.	47-031055-003	R.H. Ball Door Key	48.	11-680302-000	N.A. Terminal - Male
16.	47-034767-004	Tension Spring		57-860032-000	R.O. Terminal - Male (Pkg. of 10)
17.	47-031091-004	Shaft	49.	11-680301-000	N.A. Terminal - Female
18.	11-053478-001	N.A. Speed Nut (8 mm)		57-860031-000	R.O. Terminal - Female (Pkg. of 20)
	47-861050-000	R.O. Speed Nut (8 mm) Pkg. of 10	50.	11-680216-000	Connector - Female
19.	47-031302-004	Ball Door Shaft (Pre GS-X Pinsetters)	51.	11-055253-001	Special Lockwasher (6 mm)
	47-034843-004	Shaft - Threaded End	52.	11-053157-001	Jam Nut (14 mm)
20.	11-053477-001	Speed Nut (7 mm)	53.	47-035238-004	Ball Door Shaft (GS-X Pinsetters)
21.	11-053616-001	Stop Collar (15 mm)	54.	11-054463-000	N.A. EJOT Self Tapping Screw (KB30 x 7 mm)
22.	11-052807-001	Set Screw (6 mm x 12 mm)	55.	47-034842-004	Bushings
23.	47-031797-002	Locking Bolt			
24.	47-031800-004	Pivot Link			
25.	11-053480-001	Speed Nut (10 mm)			
26.	99-060133-004	Plunger Only			
27.	11-051021-001	Hex Hd. Cap Screw (10 mm x 35 mm)			
28.	11-052028-001	Flat Washer (10.5 mm)			
29.	11-051745-001	Locknut (10 mm)			
30.	47-031796-002	Holder			
31.	11-051742-001	Locknut (5 mm)			
32.	11-680116-000	Connector - Male			
33.	**99-060219-004	Solenoid Assembly Complete (red box)			
34.	11-051068-001	Hex Hd. Cap Screw (5 mm x 65 mm)			
35.	11-052039-001	Flat Washer (5.3 mm)			

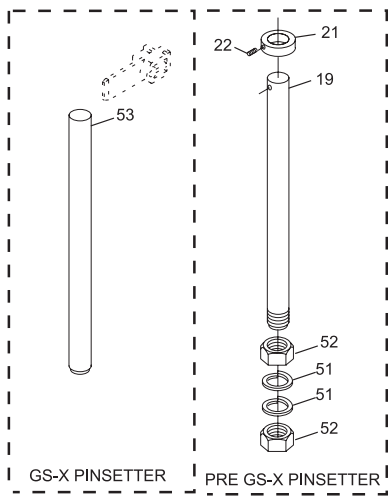
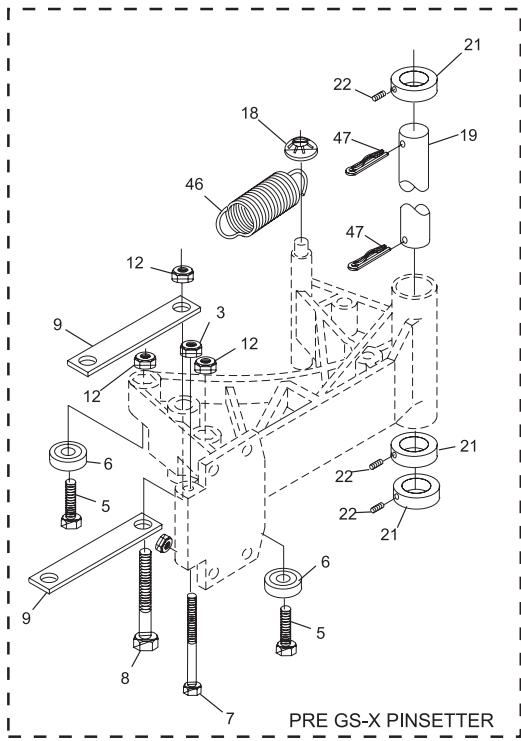
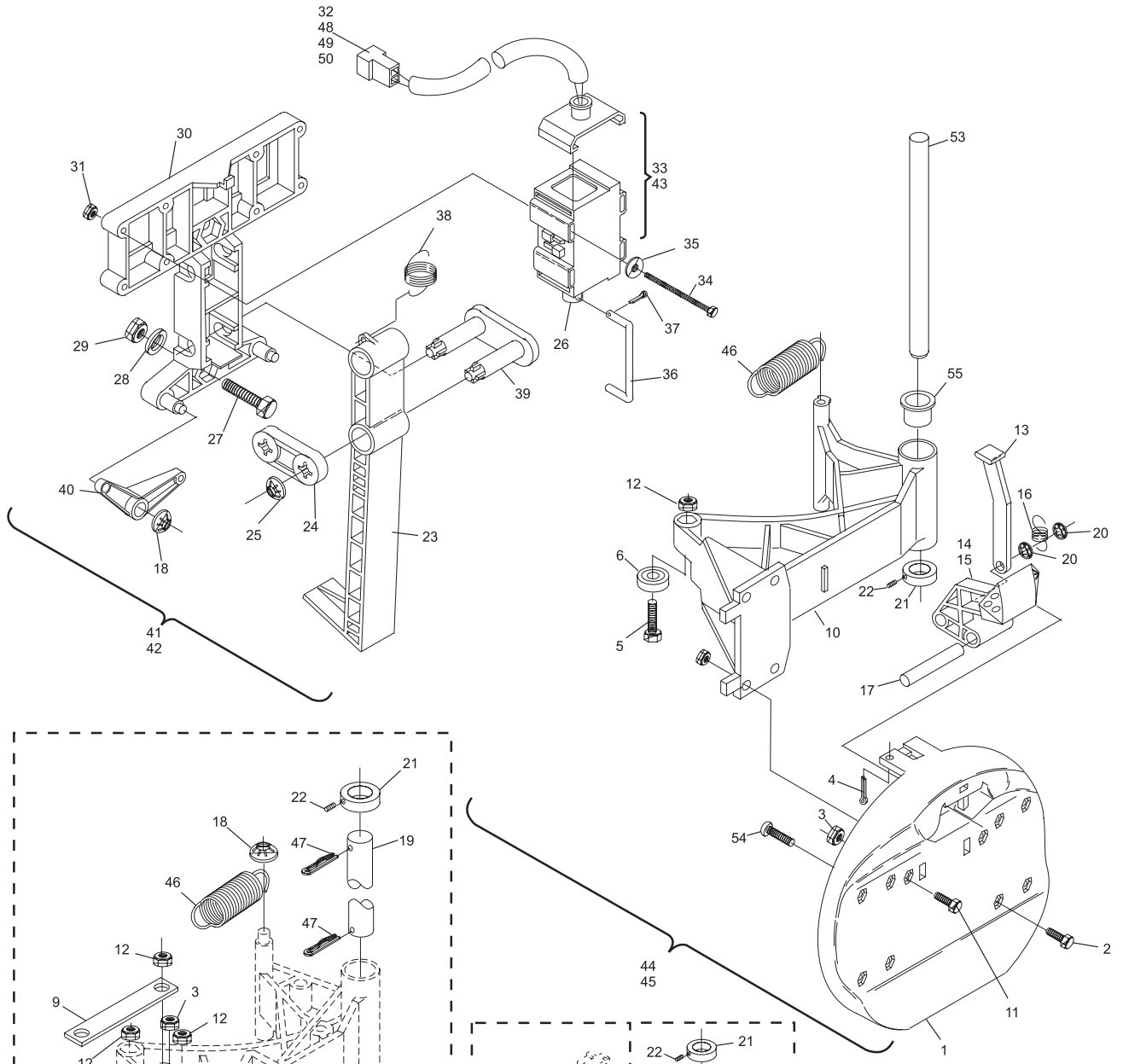
N.A. = No Longer Available
R.O. = Replacement Option

* Index Nos. 1 and 10 are inverted for use in both left-hand and right-hand machines.

** Does not include Plunger, 99-060133-004

*** For older ball door arms with steel support braces (series 169, to series 419) change these arms on both ball doors of a pair.

Ball Door/Lock Assembly



**View is of the 7 Pin side
of the RH/Even Lane
Ball Door 47-033556-009**

Ball Door/Lock Assembly