

Section J

DISTRIBUTOR

Index

No.	Part No.	Description
1.	47-094344-003	Front Pulley Shaft
2.	47-091905-003	R.H. Turn Plate
3.	11-051038-001	Hex Hd. Cap Screw (8 mm x 16 mm)
4.	N.A.	Distributor Frame Complete
5.	47-090547-004	Spur Gear w/25 mm Collar
6.	47-275746-009	Two Piece Gear Kit
	47-092300-004	Polycord Roll (12 mm dia. x 44 meters Lg.)
	47-092300-005	Polycord Roll (13 mm dia. x 20 meters Lg.)
7.	11-051770-001	Lockwasher (8 mm)
8.	11-051744-001	Hex Nut (8 mm)
9.	47-090989-002	Double Pulley
10.	11-053903-000	V-Belt (13 mm x 8 mm x 1375 mm)
11.	11-054102-001	N.A. Spacer Flat Washer (25 mm)
	47-861028-001	R.O. Shim Washers Pkg. of 10
12.	11-051856-001	Retaining Ring (25 mm)
13.	47-091904-003	Turn Plate (left-hand)
14.	N.A.	Dual Feed Distributor Assembly Complete
15.	N.A.	Pulley Holder (left-hand)
16.	47-092193-003	Pulley Holder (right-hand)
17.	47-092271-004	N.A. Pin Guide
18.	47-091277-002	Slider Mount
19.	**N.A.	Slider Assembly
20.	47-091284-002	Slider Assembly Complete
21.	47-097417-000	A/P Pin Guide/Stop
	47-090969-003	Pin Stop
22.	11-051520-001	Socket Hd. Cap Screw (6 mm x 30 mm)
23.	11-051515-001	Socket Hd. Cap Screw (6 mm x 18 mm)
24.	11-054449-000	Hex Hd. Self-Tapping Screw (K70 x 18 mm)
25.	11-052019-001	Flat Washer (8.4 mm)
26.	11-051852-001	Retaining Ring (17 mm)
27.	11-052804-001	Set Screw (6 mm x 8 mm) (for Pulley Hub)
28.	11-051546-001	Hex Hd. Cap Screw (5 mm x 40 mm)
29.	11-052039-001	Flat Washer (5.3 mm)
30.	11-051742-001	Locknut (5 mm)
31.	47-092415-003	Pulley w/Bearing
32.	47-092496-004	N.A. Pin Guide
33.	11-051743-001	Locknut (6 mm)
34.	11-052037-001	Flat Washer (6.4 mm)
35.	47-092202-004	Shaft
36.	47-092203-004	Shaft
37.	47-092199-003	N.A. Bracket
38.	47-091512-003	N.A. Flat Spring
39.	47-092206-004	Shaft
40.	47-093874-004	Clamp
41.	47-093547-004	Gear
42.	47-093741-002	S.O. Dust Pan
43.	47-093771-004	Felt Pad
44.	*11-676027-000	N.A. Contact Cement - quart
	*11-676047-000	Contact Cement - gallon
45.	47-093587-004	Dowel Pin (Pkg. of 25)
46.	47-093863-003	Round Belt Pulley
	47-275748-009	2-Piece Pulley Kit
47.	47-094353-004	PVC Spacer
48.	47-094347-003	Bearing Shell
49.	47-094346-003	Bearing Shell w/Shoulder
50.	47-094351-003	Washer
51.	11-430013-000	Bearing
52.	11-051010-001	Hex Hd. Cap Screw (8 mm x 20 mm)
53.	11-052006-001	Washer (8.4 mm)

Index

No.	Part No.	Description
54.	47-094349-001	Front Shaft Assembly
55.	47-091854-004	N.A. Vinyl (long pit version)
	47-092345-004	R.O. Vinyl (short pit version)
56.	47-092476-004	Pin Turn Device (left-hand)
57.	47-092475-004	Pin Turn Device (right-hand)
58.	N.A.	Slider Only (hardware not included)
	47-095609-002	R.O. Slider Only (hardware not included)
59.	47-092265-003	Extension Rails (L.H./R.H., for Dual Feed Distributor, for short pit)
	47-092249-002	N.A. L.H./R.H. Extension Rails for Dual Feed Distributor (long pit)
	47-093901-002	R.O. L.H./R.H. Distributor Extension Dual Feed (long pit)
60.	47-094712-003	Bracket
	***47-274806-009	Guide Rail Extension Kit
61.	47-092479-003	R.H. Guide Bracket
62.	11-051018-001	Hex Head Cap Screw (6 mm x 20 mm)
63.	47-093760-002	Distributor Station (pin no. 7, steel)
	47-091890-002	Distributor Stations (pin nos. 2,3,8,9, and 10, steel)
	47-092211-002	Distributor Stations (pin nos. 1 and 6, steel)
64.	47-092186-003	Bracket
65.	47-092478-003	L.H. Guide Bracket
66.	47-095050-003	Plastic Bearing
67.	47-093910-003	R.H. Shark Rail
68.	47-093911-003	L.H. Shark Rail
69.	47-092238-003	S.O. R.H. Distributor Rail - long
70.	47-092239-003	S.O. L.H. Distributor Rail - long
71.	47-093934-003	Pin Deflector Shoe - Single Piece
72.	47-092454-004	Rail - short (front)
73.	47-092242-002	S.O. L.H. Plate - upper
74.	47-095146-003	S.O. L.H. Plate - lower
75.	47-093883-004	Shaft
76.	47-094345-003	N.A. Middle Shaft
77.	47-095144-003	S.O. R.H. Plate - lower
78.	47-092243-002	R.H. Plate - upper
79.	47-092474-004	N.A. Pin Turn Pad
80.	47-092237-003	S.O. L.H. Front Rail
81.	47-092234-003	S.O. R.H. Front Rail
82.	47-094232-004	Rubber Grommet
83.	11-052048-001	Flat Washer (6.4 mm)
84.	****47-095173-003	Pin Deflector Shoe, Left-hand (For 2-piece Shoe)
85.	**** 47-095172-003	Pin Deflector Shoe, Right- hand (For 2-piece Shoe)
86.	47-275730-009	Distributor Repair Kit
87.	47-095724-003	Distributor Bracket Ten Pin Side
88.	47-095725-003	Distributor Bracket Seven Pin Side

N.A. = No Longer Available
R.O. = Replacement Option
S.O. = Special Order

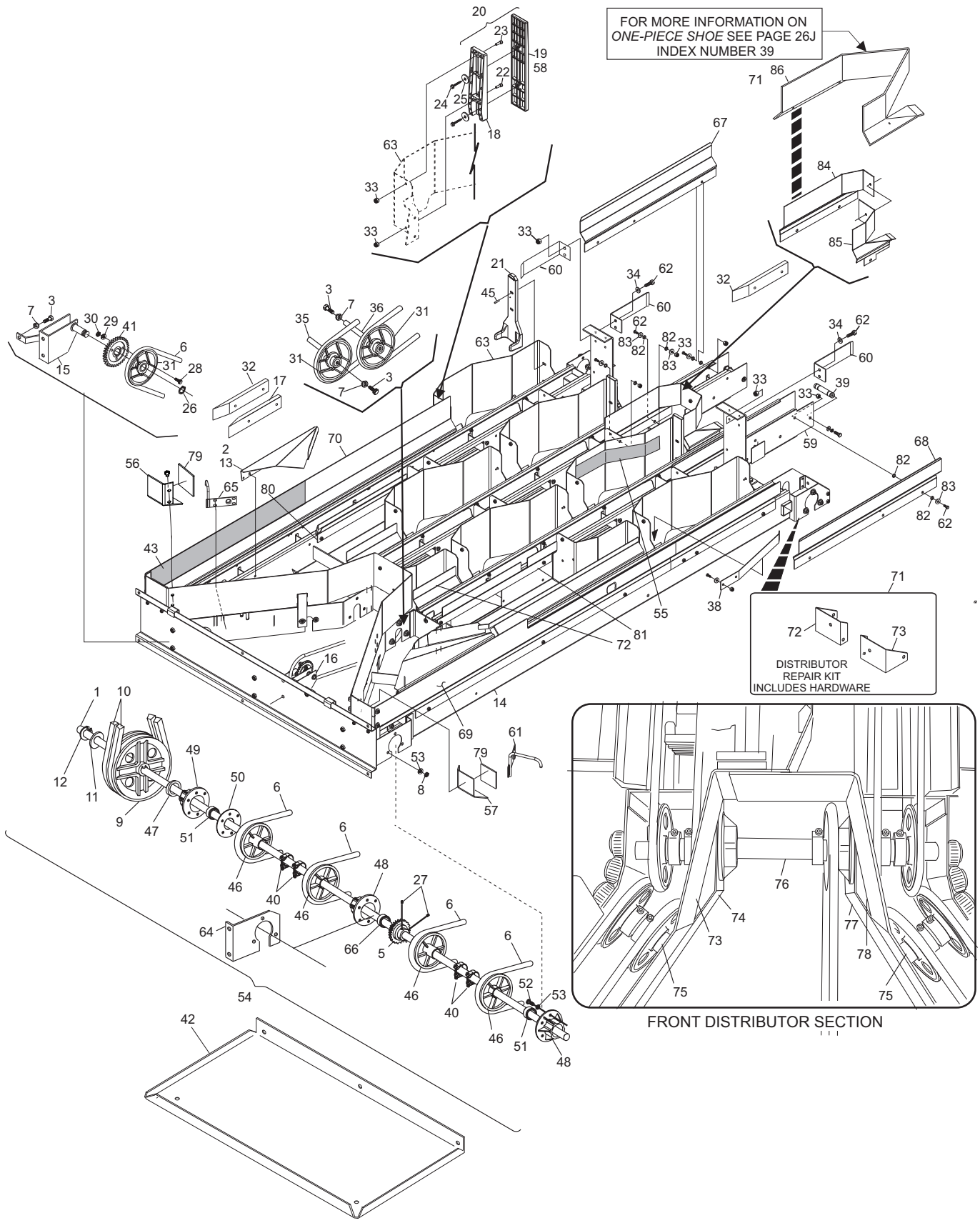
* Not Illustrated

** Includes index nos. 24, 25 & 58.

*** Includes index nos. 60, 33, 62, & 34.

**** A complete two piece shoe requires: 1 each of
47-095172-003 R.H. shoe and 1 each of
47-095173-003 L.H. shoe

Dual Feed Distributor



Dual Feed Distributor

Index

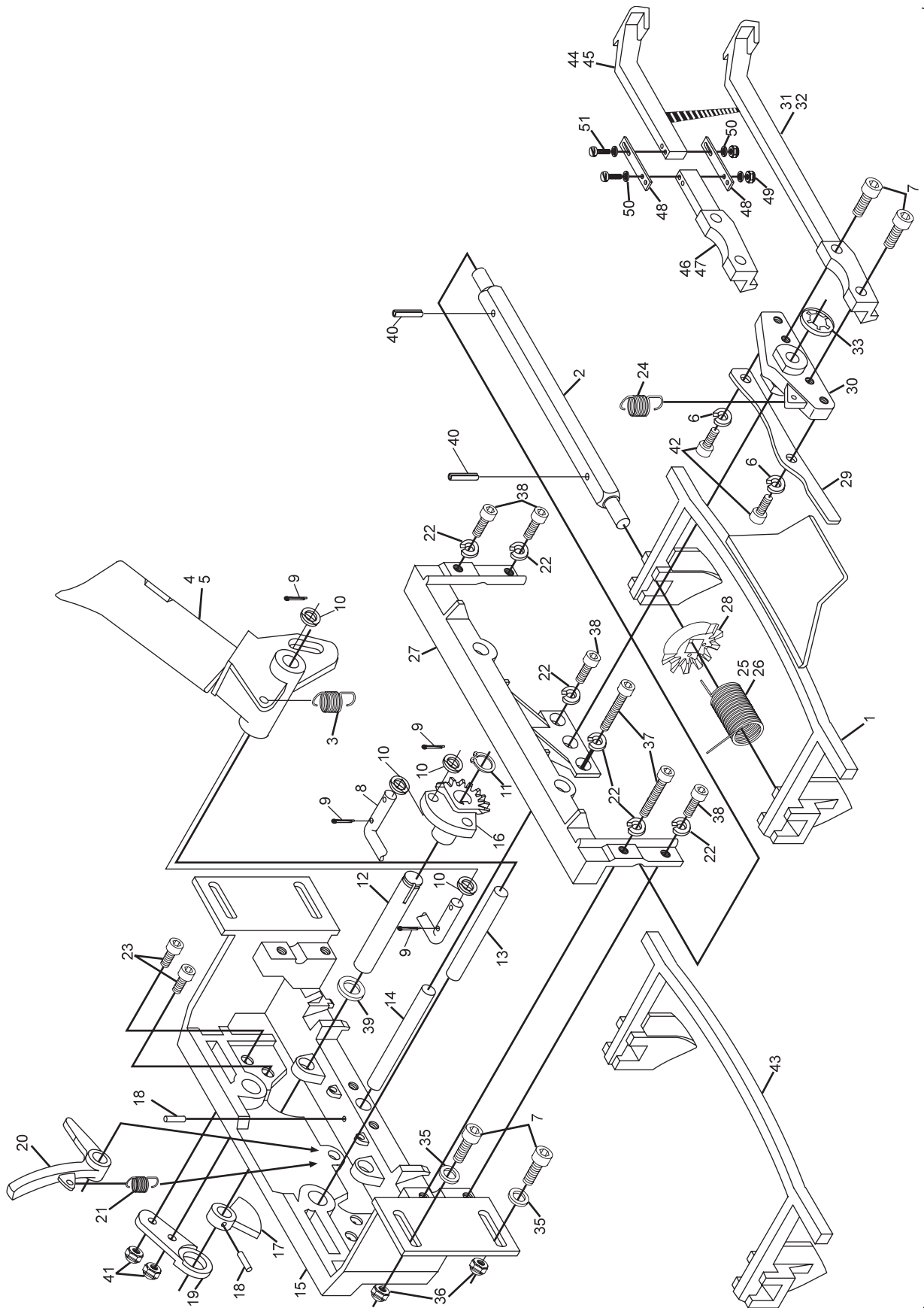
No.	Part No.	Description
1.	47-091690-002	Retaining Bow w/Flap
2.	47-091694-004	Square Spindle
3.	47-090581-004	Tension Spring
4.	47-092442-003	R.H. Ejector Flap
5.	47-092441-003	L.H. Ejector Flap
6.	11-051769-001	Lockwasher (6 mm)
7.	11-051515-001	Socket Hd. Cap Screw (6 mm x 18 mm)
8.	47-090568-004	Bow
9.	11-051791-001	Split Pin (1.6 mm x 10 mm)
10.	47-090575-004	Flat Washer (6.5 mm)
11.	11-051855-001	Retaining Ring (10 mm)
12.	47-090570-004	Shaft
13.	47-090572-004	Shaft
14.	47-090571-004	Shaft
15.	47-090565-002	N.A. Bottom Housing
16.	47-090560-004	N.A. Bevel Wheel w/Cam
17.	47-090557-004	N.A. Cam
18.	11-052681-001	Rolled Pin (3 mm x 16 mm)
19.	47-090558-004	Cam Retainer
20.	47-090556-004	Retaining Lever
21.	47-094352-004	Tension Spring
22.	11-051768-001	Lockwasher (5 mm)
23.	11-051523-001	Socket Hd. Cap Screw (5 mm x 10 mm)
24.	47-090580-004	Tension Spring
25.	47-090577-004	R.H. Torsion Spring (Pin Nos. 2,4,6,8 & 10)
26.	47-090578-004	L.H. Torsion Spring (Pin Nos. 1,3,5,7 & 9)
27.	47-090562-003	Top Housing
28.	47-090559-004	Bevel Wheel
29.	47-091693-004	Clamping Lever
30.	47-091692-004	Pivoting Lever
31.	N.A.	Release Lever Pin (Pin Nos. 1,4,5 & 6)
32.	N.A.	Release Lever Pin (Pin Nos. 2,3,7,8,9 & 10)
33.	11-053478-001	N.A. Speed Nut (8 mm)
	47-861050-000	R.O. Speed Nut (8 mm) Pkg. of 10
34.	*N.A.	Pin Station Complete (Pin Nos. 1, 5 & 6)
	*N.A.	Pin Station Complete (Pin Nos. 2, 3, 8 & 9)
	*N.A.	Pin Station Complete (Pin No. 4)
	*N.A.	Pin Station Complete (Pin No. 7)
	*N.A.	Pin Station Complete (Pin No. 10)
35.	11-052037-001	Flat Washer (6.4 mm)
36.	11-051743-001	Locknut (6 mm)
37.	11-051524-001	N.A. Socket Hd. Cap Screw (5 mm x 40 mm)
38.	11-051522-001	Socket Hd. Cap Screw (5 mm x 16 mm)
39.	11-052042-001	Flat Washer (10 mm)
40.	11-052680-001	Rolled Pin (2 mm x 18 mm)
41.	11-051742-001	Locknut (5 mm)
42.	11-051509-001	Socket Hd. Cap Screw (6 mm x 12 mm)
43.	*N.A.	Retaining Bow
44.	47-093591-004	Release Lever Pin - two piece (Pin Nos. 2,3,7,8,9 & 10)
45.	47-093592-004	Release Lever Pin - two piece (Pin Nos. 1,4,5 & 6)
46.	47-093589-004	Release Lever Pin - two piece (Pin Nos. 2,3,7,8,9 & 10)
47.	47-093590-004	Release Lever Pin - two piece (Pin Nos. 1,4,5 & 6)
48.	47-091725-004	Retaining Plate
49.	11-051741-001	Locknut (4 mm)
50.	11-052025-001	Flat Washer (4.3 mm)
51.	11-052208-001	Sltd. Machine Hd. Screw (4 mm x 30 mm)

N.A. = No Longer Available

* Use Universal Pin Station - pages 8J and 9J.

** Use appropriate Universal Pin Station.

Pin Station Assembly (Machine Series 54 and Below)



**Pin Station Assembly
(Machine Series 54 and Below)**

Index

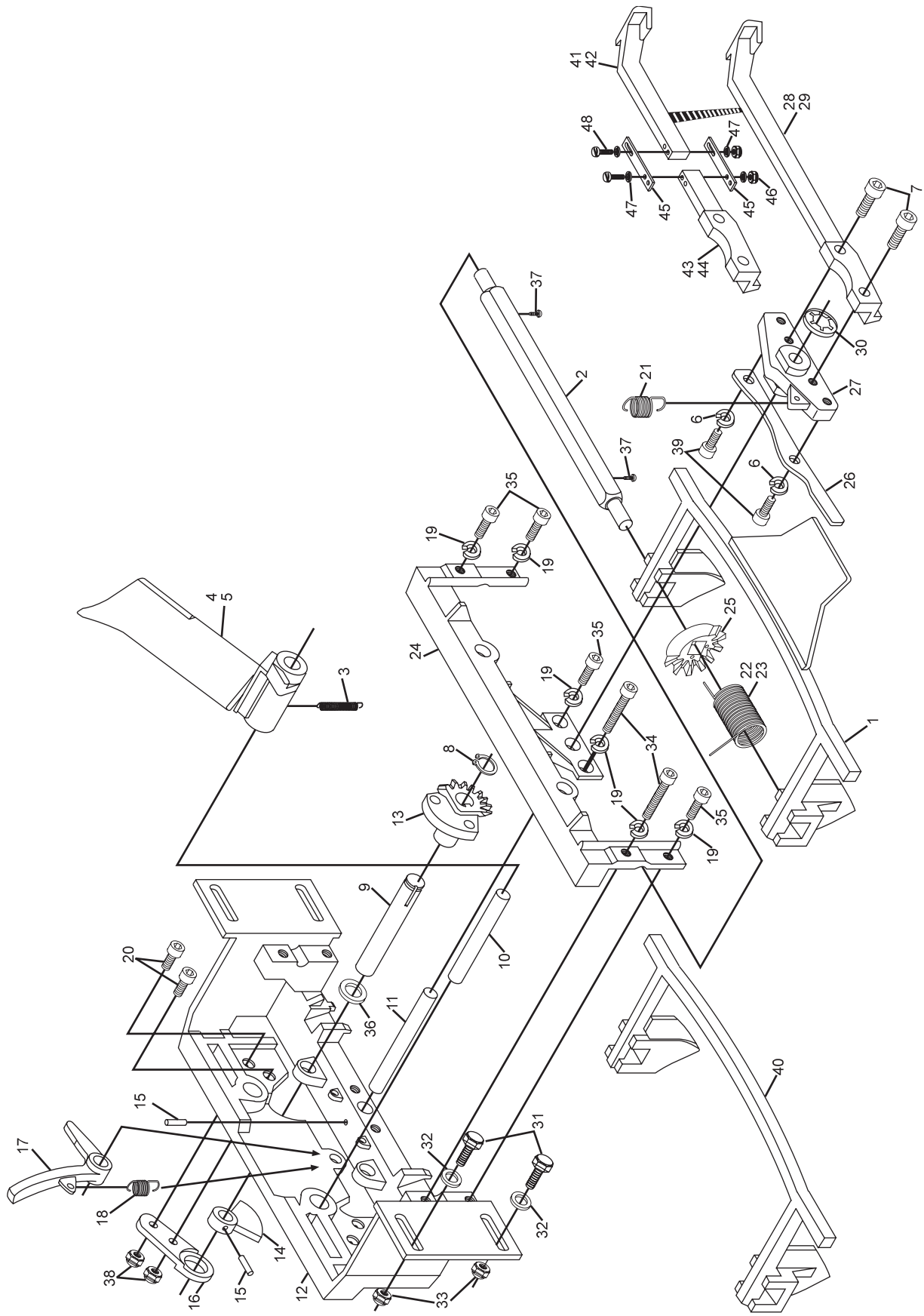
No.	Part No.	Description
1.	47-091690-002	Retaining Bow w/Flap
2.	47-091694-004	Square Spindle
3.	47-094099-004	Tension Spring
4.	47-093926-002	R.H Ejector Flap
5.	47-093927-002	L.H. Ejector Flap
6.	11-051769-001	Lockwasher (6 mm)
7.	11-051515-001	Socket Hd. Cap Screw (6 mm x 18 mm)
8.	11-051855-001	Retaining Ring (10 mm)
9.	47-090570-004	Shaft
10.	47-090572-004	Shaft
11.	47-090571-004	Shaft
12.	47-090565-002	N.A. Bottom Housing
13.	47-090560-004	N.A. Bevel Wheel w/Cam
14.	47-090557-004	N.A. Cam
15.	11-052681-001	Rolled Pin (3 mm x 16 mm)
16.	47-090558-004	Cam Retainer
17.	47-090556-004	Retaining Lever
18.	47-094352-004	Tension Spring
19.	11-051768-001	Lockwasher (5 mm)
20.	11-051523-001	Socket Hd. Cap Screw (5 mm x 10 mm)
21.	47-090580-004	Tension Spring
22.	47-090577-004	R.H. Torsion Spring (Pin Nos. 2,4,6,8 & 10)
23.	47-090578-004	L.H. Torsion Spring (Pin Nos. 1,3,5,7 & 9)
24.	47-090562-003	Top Housing
25.	47-090559-004	Bevel Wheel
26.	47-091693-004	Clamping Lever
27.	47-091692-004	Pivoting Lever
28.	N.A.	Release Lever Pin (Pin Nos. 1,4,5 & 6)
29.	N.A.	Release Lever Pin (Pin Nos. 2,3,7,8,9 & 10)
30.	11-053478-001	N.A. Speed Nut (8 mm)
	47-861050-000	R.O. Speed Nut (8 mm) Pkg. of 10
31.	11-051514-001	Socket Hd. Cap Screw (6 mm x 16 mm)
32.	11-052048-001	Flat Washer (6.4 mm)
33.	11-051743-001	Locknut (6 mm)
34.	11-051524-001	N.A. Socket Hd. Cap Screw (5 mm x 40 mm)
35.	11-051522-001	Socket Hd. Cap Screw (5 mm x 16 mm)
36.	11-052042-001	Flat Washer (10 mm)
37.	11-050401-001	N.A. Self-Tapping Screw (4 mm x 8 mm)
38.	11-051742-001	Locknut (5 mm)
39.	11-051509-001	Socket Hd. Cap Screw (6 mm x 12 mm)
40.	**N.A.	Retaining Bow without Flap
41.	47-093591-004	Release Lever Pin - two piece (Pin Nos. 2,3,7,8,9 & 10)
42.	47-093592-004	Release Lever Pin - two piece (Pin Nos. 1,4,5 & 6)
43.	**N.A.	Release Lever Pin - two piece (Pin Nos. 2,3,7,8,9 & 10)
44.	47-093590-004	Release Lever Pin - two piece (Pin Nos. 1,4,5 & 6)
45.	47-091725-004	Retaining Plate
46.	11-051741-001	Locknut (4 mm)
47.	11-052025-001	Flat Washer (4.3 mm)
48.	11-052208-001	Slt'd. Machine Hd. Screw (4 mm x 30 mm)
49.	*N.A.	Pin Station Assembly (Pin number 4)
50.	*N.A.	Pin Station Assembly (Pin Nos. 1, 5 & 6)
51.	*N.A.	Pin Station Assembly (Pin Nos. 2, 3, 8 & 9)
52.	*N.A.	Pin Station Assembly (Pin Number 7)
53.	*N.A.	Pin Station Assembly (Pin Number 10)

N.A. = No Longer Available

* Use Universal Pin Station - pages 8J and 9J.

** Use appropriate Universal Pin Station.

Pin Station Assembly (Machine Series 55 to 333)



49-53

**Pin Station Assembly
(Machine Series 55 to 333)**

Index

No.	Part No.	Description
1.	47-094787-001	Ejector Actuating Lever
2.	47-094789-003	Retaining Pin
3.	47-094792-009	Universal Pin Station Assembly Complete (Pin Nos. 2,3,4,8, and 9)
4.	47-094794-009	Universal Pin Station Assembly Complete (Pin Nos. 7 and 10)
5.	47-094793-009	Universal Pin Station Assembly Complete (Pin Nos. 1,5, and 6)
6.	11-051743-001	Locknut (6 mm)
7.	47-094780-001	Retaining Bow w/o Flap (Pin Nos. 7 and 10)
8.	47-094779-001	Retaining Bow w/ Flap
9.	*47-090578-004	L.H. Torsion Spring
10.	**47-090577-004	R.H. Torsion Spring
11.	47-095154-009	Release Lever w/Release Button (includes item 22)
12.	*47-094785-002	L.H. Cam Assembly
13.	**47-094786-002	R.H. Cam Assembly
14.	47-094791-004	Ejector Tension Spring
15.	*47-094783-002	L.H. Ejector Flap
16.	**47-094784-002	R.H. Ejector Flap
17.	11-055301-001	Button Head Socket Screw w/Flange (6 mm x 16 mm)
18.	11-052037-001	Flat Washer (6.4 mm)
19.	47-094790-003	N.A. Square Spindle
	47-094790-009	R.O. Square Shaft w/Bushing
20.	47-094788-003	Bevel Gear Shaft
21.	47-094778-001	Pin Station Housing - includes index numbers 26, 27 & 28
22.	47-094782-003	Release Button
23.	47-862931-000	Retaining Bow Extender Kit (1 per lane pair)
24.	47-095742-004	Bushing
25.	11-676308-000	Nygel Plastic Lube
26.	47-861044-000	Retaining Rings (Qty. 20)
27.	47-861043-000	Plastic Bushing (Qty. 10)
28.	47-861045-000	Steel Shaft (Qty. 10)

N.A. = No Longer Available

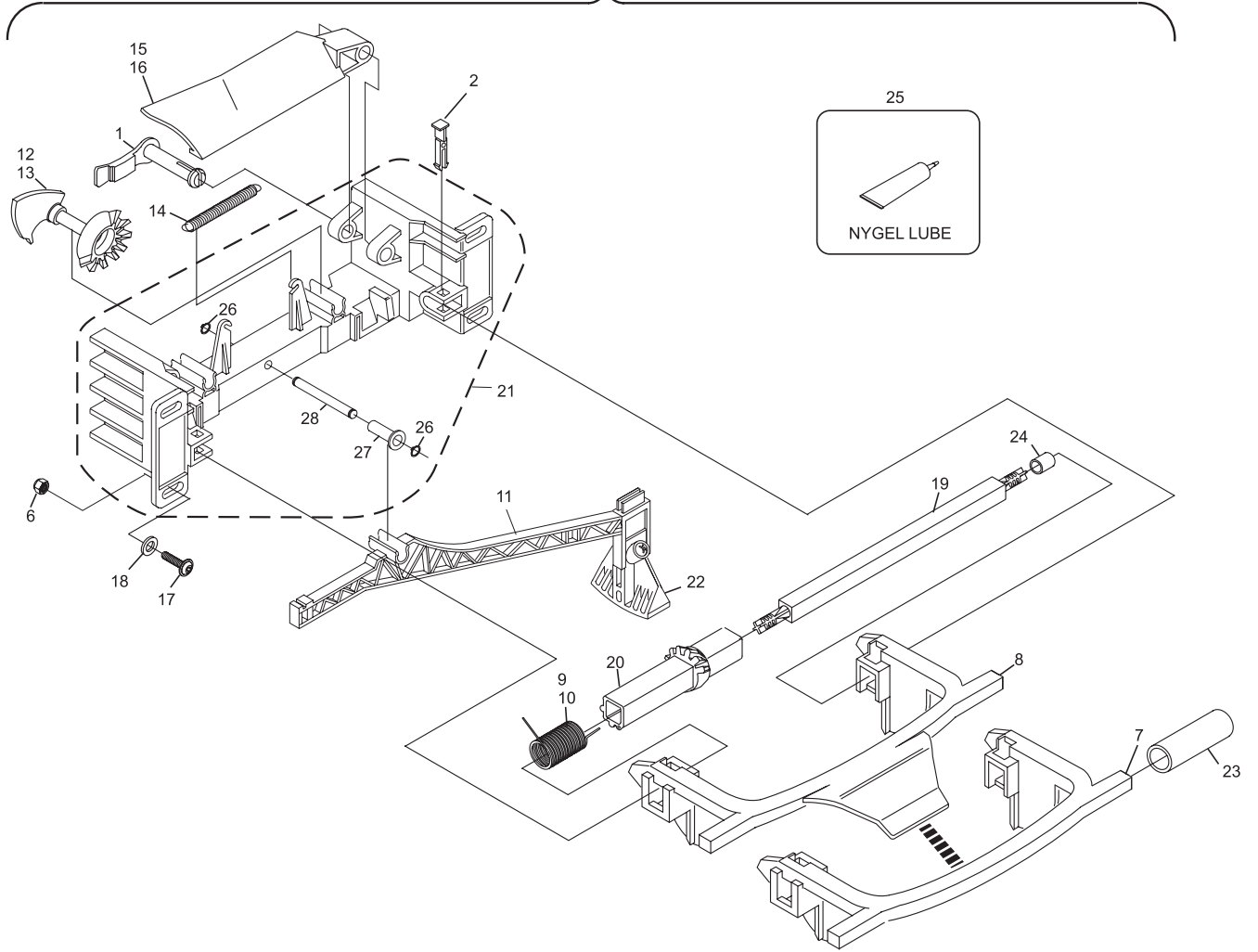
R.O. Replacement Option

* Pin Stations 1,5 and 6

** Pin Stations 2,3 and 4 (reversed release lever), 8 and 9.

Universal Pin Station Assembly

3
4
5



Universal Pin Station Assembly

Index

No.	Part No.	Description
1.	11-051858-001	Retaining Ring (A15)
2.	11-054103-001	N.A. Spacer Washer (16 mm)
	47-861029-001	R.O. Washer (16 mm) - Pkg. of 10
3.	47-090555-003	Spur Gear (Positions 1 and 2)
4.	47-093629-003	Spur Gear (Position 3)
5.	47-090553-004	Intermediate Shaft
6.	11-051035-001	Hex Hd. Cap Screw (6 mm x 16 mm)
7.	11-051769-001	Lockwasher (6 mm)
8.	11-430053-000	Bearing
9.	46-090494-004	Bearing Ring
10.	11-052050-001	Flat Washer (10.5 mm)
11.	11-051037-001	Hex Hd. Cap Screw (10 mm x 16 mm)
12.	47-093863-003	Round Belt Pulley
	47-275748-009	2-Piece Pulley Kit
	N.A.	Pulley (pinned)
13.	N.A.	Middle Shaft (See index number 28)
14.	47-092203-004	Pinned Pulley Shaft
	47-093883-004	Clamped Pulley Shaft
15.	*11-052802-001	Set Screw (8 mm x 5 mm)
16.	47-092300-004	Polycord (12 mm x 44 Meters long)
	47-092300-005	Polycord Roll (13 mm x 20 meters long)
17.	11-051038-001	Hex Hd. Cap Screw (8 mm x 16 mm)
18.	11-051770-001	Lockwasher (8 mm)
19.	11-051704-001	Hex Nut (8 mm)
20.	*47-093874-004	Clamp
21.	**N.A.	Spacer Washer
22.	**N.A.	Middle Shaft
23.	**N.A.	Bearing Shell
24.	11-430013-000	Bearing
25.	11-051010-001	Hex Hd. Cap Screw (8 mm x 20 mm)
26.	11-052003-001	Flat Washer (8.4 mm)
27.	11-051744-001	Locknut (8 mm)
28.	***47-094350-001	Middle Shaft Assembly

N.A. = No Longer Available

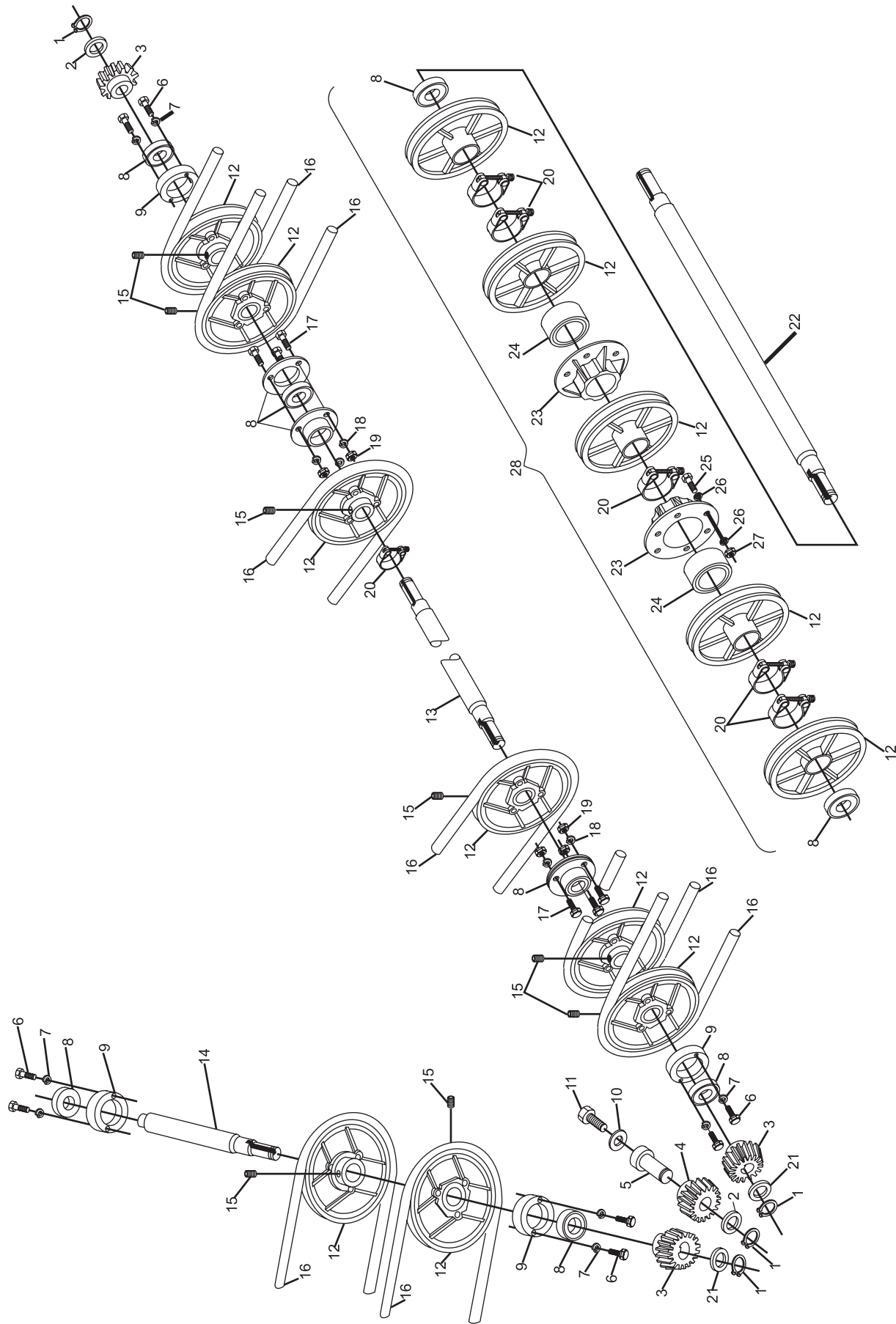
R.O. = Replacement Option

* For pulleys so equipped

** Order index no. 28.

*** Includes index nos. 7, 12, 20, 22, 23, 24, 25, 26 and 27

Dual Feed Distributor Pulley Shaft Assemblies

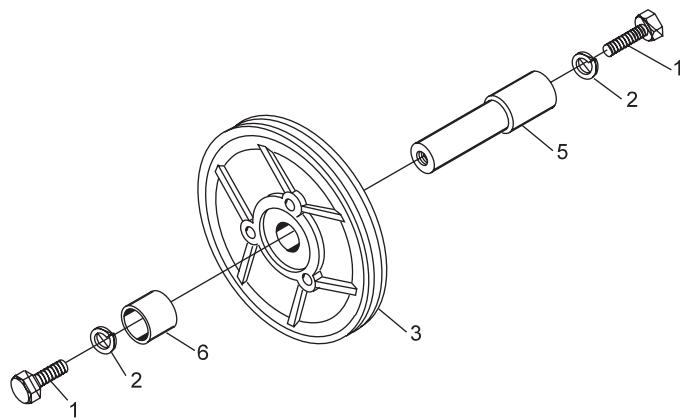
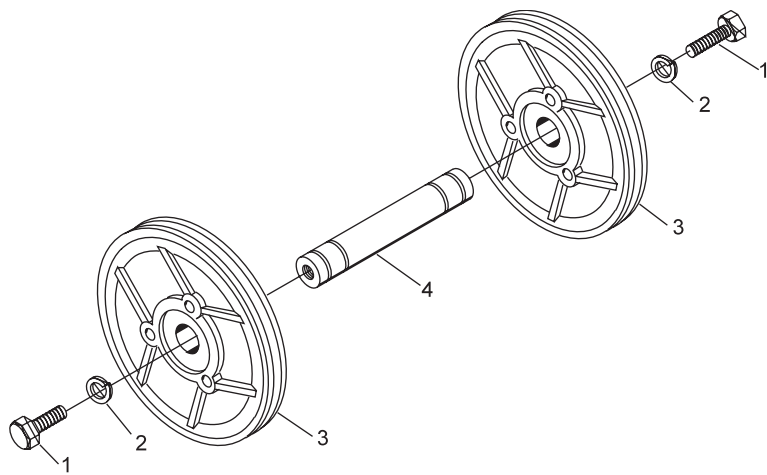


**Dual Feed Distributor
Pulley Shaft Assemblies**

Index

No.	Part No.	Description
1.	11-051038-001	Hex Hd. Cap Screw (8 mm x 16 mm)
2.	11-051770-001	Lockwasher (8 mm)
3.	47-092415-003	Drive Pulley Assembly
4.	47-092206-004	Rear Shaft
5.	47-090552-004	Shaft
6.	47-091855-004	Spacer

Distributor Pulleys



Distributor Pulleys

Index

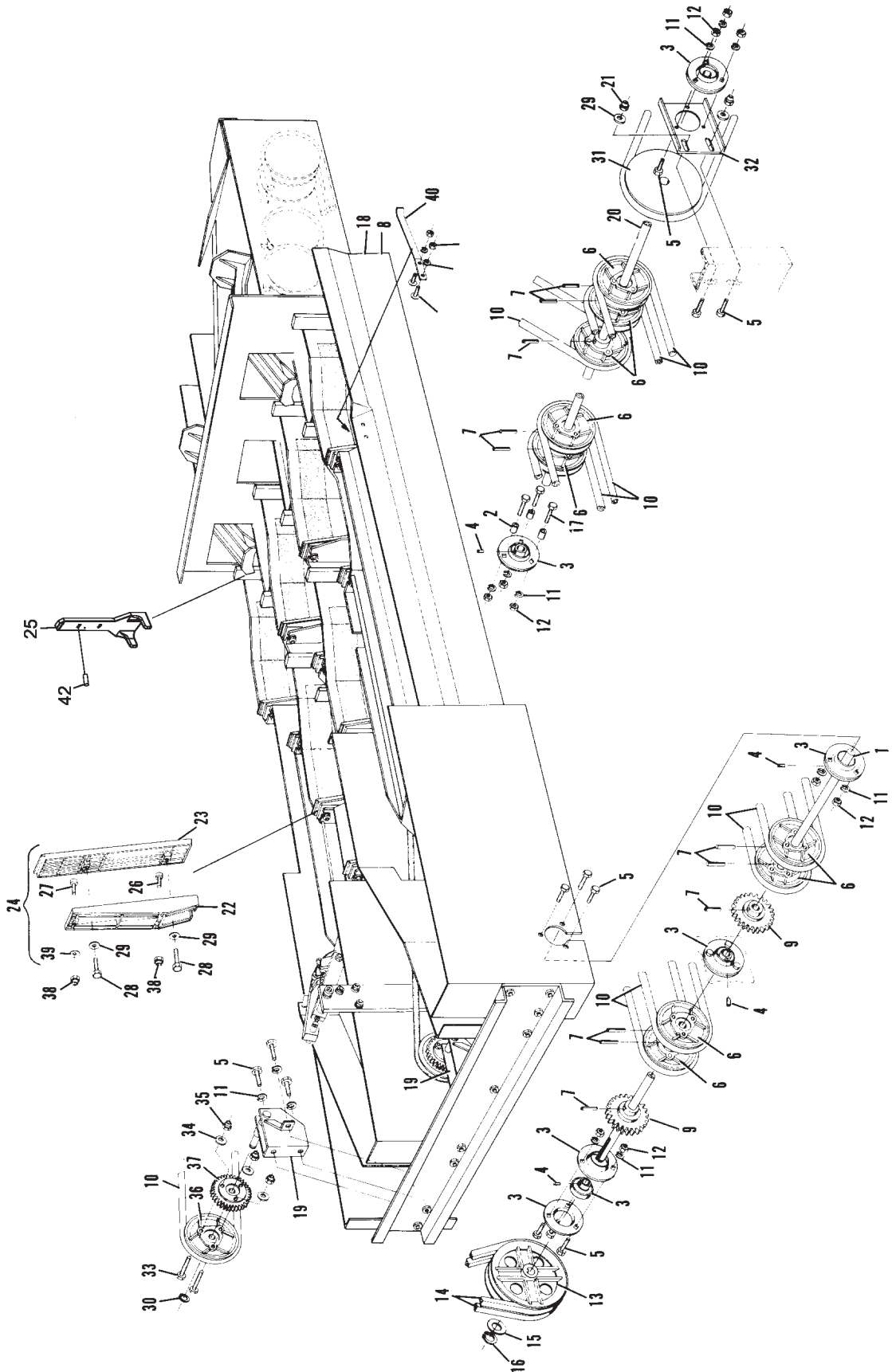
No.	Part No.		Description
1.	47-092207-004		Front Drive Shaft
2.	47-092082-004	N.A.	Spacer
3.	11-052901-000		Bearing Complete w/Retaining Plates
4.	11-052802-001		Set Screw (5 mm x 8 mm)
5.	11-051038-001		Hex Hd. Cap Screw (8 mm x 16 mm)
6.	47-094212-004		Pulley Assembly w/Clam
7.	11-052686-001		Rolled Pin (4 mm x 40 mm)
8.	N.A.		Distributor Frame Assembly Complete
9.	47-090547-004		Spur Gear w/25 mm Collar
10.	47-092300-004		Polycord (12 mm x 44 m long)
	47-092300-005		Polycord Roll (13 mm x 20 meters long)
11.	11-051770-001		Lockwasher (8 mm)
12.	11-051704-001		Hex Nut (8 mm)
13.	47-090989-002		Double Pulley
14.	11-053903-000		V-Belt (8 mm x 13 mm x 1375 mm)
15.	11-054102-001	N.A.	Spacer Flat Washer
	47-861028-001	R.O.	Shim Washers (Pkg. of 10)
16.	11-051856-001		Retaining Ring (A25)
17.	11-051044-001		Hex Hd. Cap Screw (8 mm x 30 mm)
18.	N.A.		Single Feed Distributor Assembly Complete
19.	47-092193-003		Pulley Holder
20.	47-090974-004	S.O.	Rear Drive Shaft
21.	11-051744-001		Locknut (8 mm)
22.	N.A.		Slider
23.	N.A.		Slider Mount
24.	47-091284-002		Slider Assembly Complete
25.	47-097417-000		A/P Pin Guide Stop
	47-090969-003		Pin Stop
26.	11-051526-001		Socket Hd. Cap Screw (6 mm x 30 mm)
27.	11-051520-001		Socket Hd. Cap Screw (6 mm x 20 mm)
28.	11-051043-001	N.A.	Hex Hd. Cap Screw (8 mm x 12 mm)
29.	11-052019-001		Flat Washer (8.4 mm)
30.	11-051852-001		Retaining Ring (17 mm)
31.	47-092137-003		Aluminum Drive Pulley
32.	47-090975-003	N.A.	Mounting Plate
33.	11-051027-001		Hex Hd. Cap Screw (5 mm x 40 mm)
34.	11-052005-001		Flat Washer (5.3 mm)
35.	11-051742-001		Locknut (5 mm)
36.	47-092415-003		Pulley w/Bearing
37.	47-093547-004		Spur Gear w/Bearing
38.	11-051743-001		Locknut (6 mm)
39.	11-052008-001		Flat Washer (6.4 mm)
40.	47-091512-003	N.A.	Flat Spring
41.	*47-093874-004		Clamp
42.	47-093587-004		Dowel Pin (Pkg. of 25)

N.A. = No Longer Available

S.O. = Special Order

* Not Illustrated

Single Feed Distributor



Single Feed Distributor

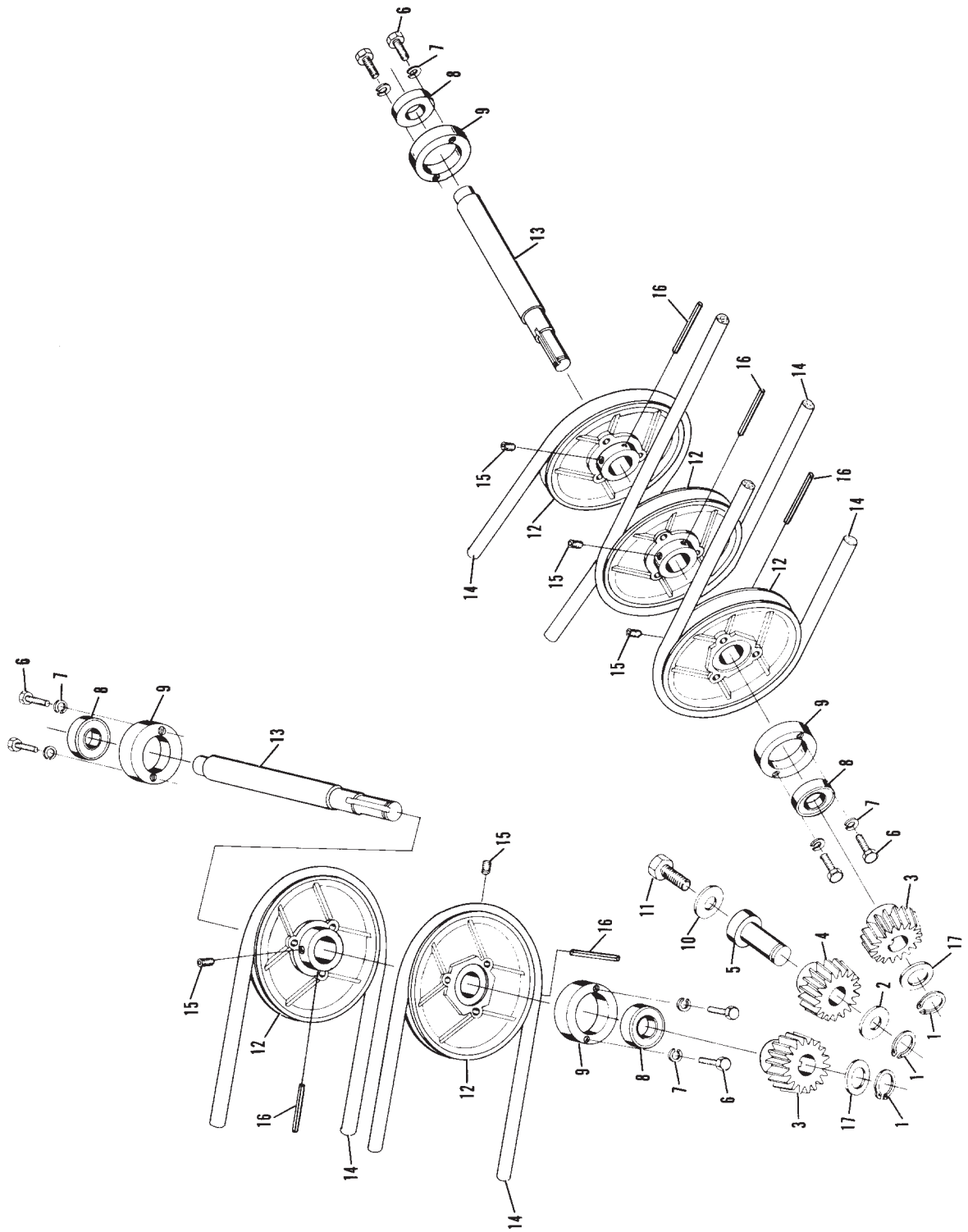
Index

No.	Part No.		Description
1.	11-051858-001		Retaining Ring (A15)
2.	11-054103-001	N.A.	Spacer Washer (16 mm)
	47-861029-001	R.O.	Spacer Washer (16 mm) Pkg. of 10.
3.	47-090555-003	N.A.	Spur Gear (Positions 1 and 2)
4.	47-093629-003		Spur Gear (Position 3)
5.	47-090553-004		Intermediate Shaft
6.	11-051035-001		Hex Hd. Cap Screw (6 mm x 16 mm)
7.	11-051769-001		Lockwasher (6 mm)
8.	11-430053-000		Ball Bearing
9.	46-090494-004		Bearing Ring
10.	11-052050-001		Flat Washer (10.5 mm)
11.	11-051037-001		Hex Hd. Cap Screw (10 mm x 16 mm)
12.	47-092416-003	N.A.	Pulley
	47-275748-009		2-Piece Pulley Kit
13.	47-090536-003		Shaft
14.	47-092300-004		Polycord (12 mm)
	47-092300-005		Polycord Roll (13 mm x 20 meters long)
15.	11-052802-001		Set Screw (5 mm x 8 mm)
16.	11-052686-001		Rolled Pin (4 mm x 40 mm)
17.	N.A.		Spacer Washer (15 mm x 28 mm 1.6 mm)

N.A. = No Longer Available

R.O. = Replacement Option

Single Feed Distributor Pulley Shaft Assemblies



**Single Feed Distributor
Pulley Shaft Assemblies**

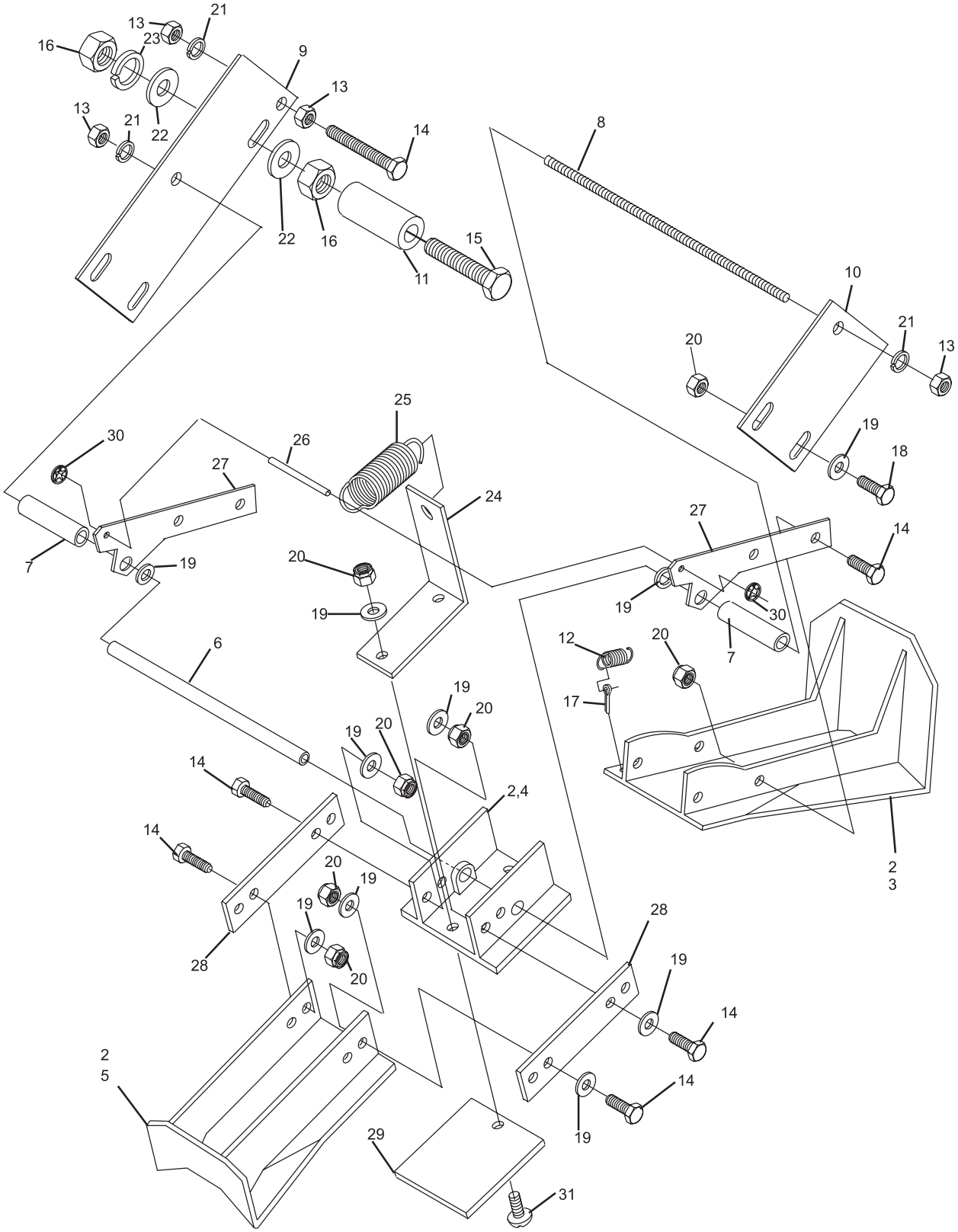
Index

No.	Part No.		Description
1.	47-091182-001	N.A.	Adjustable Pin Separator
2.	47-091173-001	N.A.	Pin Separator Assembly (3 piece)
3.	47-094675-009	N.A.	Pin Separator (front)
4.	47-094676-009	N.A.	Pin Separator (middle)
5.	47-094677-009	N.A.	Pin Separator (rear)
6.	47-091174-004	N.A.	Sleeve
7.	47-091175-004	N.A.	Spacer
8.	47-091176-004	N.A.	Shaft
9.	47-091177-004	N.A.	Bearing Plate
10.	47-091178-004	N.A.	Plate
11.	47-091179-004	N.A.	Spacer
12.	47-091181-004		Tension Spring
13.	11-051702-001		Hex Nut (6 mm)
14.	11-051042-001		Hex Hd. Cap Screw (6 mm x 50 mm)
15.	11-051034-001		Hex Hd. Cap Screw (8 mm x 45 mm)
16.	11-051704-001		Hex Nut (8 mm)
17.	11-051795-001		Cotter Pin (1.6 mm x 16 mm)
18.	11-051035-001		Hex Hd. Cap Screw (6 mm x 16 mm)
19.	11-052008-001		Flat Washer (6.4 mm)
20.	11-051743-001		Locknut (6 mm)
21.	11-051769-001		Lockwasher (6 mm)
22.	11-052003-001		Flat Washer (8.4 mm)
23.	11-051770-001		Lockwasher (8 mm)
24.	47-092139-001	N.A.	Plate
25.	47-041792-004		Tension Spring
26.	47-092140-001	N.A.	Pin
27.	47-092138-001		Plate
28.	47-092144-001	N.A.	Plate
29.	47-092145-001	N.A.	Plate
30.	11-053482-001		Speed Nut (6 mm)
31.	11-051880-001	N.A.	Truss Hd. Sltd. Screw (6 mm x 16 mm)
	47-861008-001	R.O.	Truss Hd. Sltd. Screw (6 mm x 16 mm) Pkg. of 10

N.A. = No Longer Available

R.O. = Replacement Option

**Pin Separator Assembly
(Single Feed Distributor)**



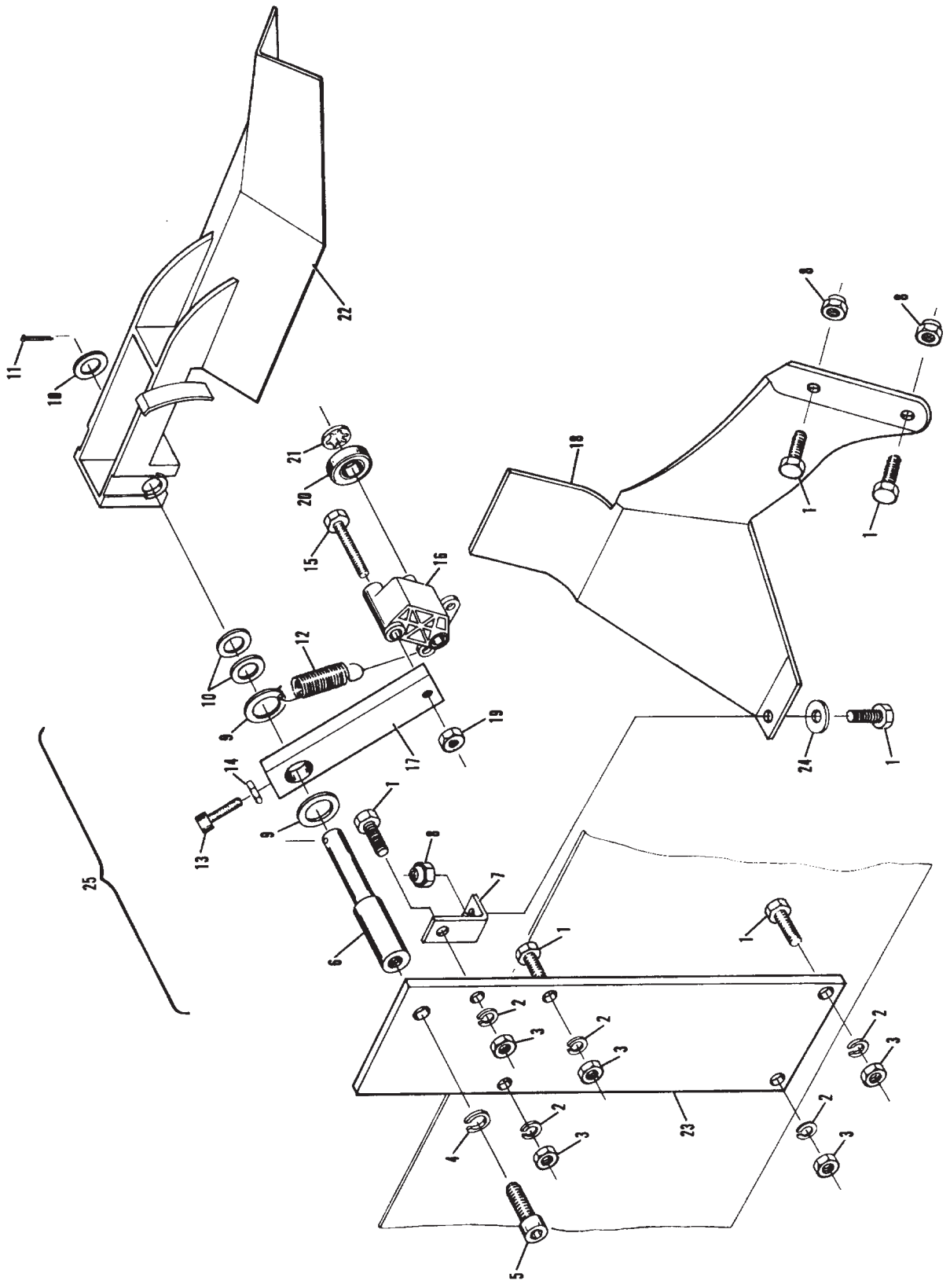
**Pin Separator Assembly
(Single Feed Distributor)**

Index

No.	Part No.		Description
1.	11-051035-001		Hex Hd. Cap Screw (6 mm x 16 mm)
2.	11-051769-001		Lockwasher (6 mm)
3.	11-051702-001		Hex Nut (6 mm)
4.	11-051772-001		Lockwasher (12 mm)
5.	11-051540-001		Socket Hd. Cap Screw (12 mm x 20 mm)
6.	47-090773-004	N.A.	Shaft
7.	47-092085-004	N.A.	Angle Bracket
8.	11-051743-001		Locknut (6 mm)
9.	11-052038-001		Flat Washer (21 mm)
10.	11-052036-001		Flat Washer (15 mm)
11.	11-051786-001		Cotter Pin (2.5 mm x 25 mm)
12.	47-092046-004		Tension Spring
13.	11-051515-001		Socket Hd. Cap Screw (6 mm x 18 mm)
14.	11-053155-001		Hex Hd. Jam Nut (6 mm)
15.	11-051032-001		Hex Hd. Cap Screw (8 mm x 55 mm)
16.	47-092045-004		Bearing Holder
17.	47-092044-004	N.A.	Shaft Plate
18.	47-090856-001	N.A.	Flap
19.	11-051704-001		Hex Nut (8 mm)
20.	11-430049-000		Bearing
21.	11-053480-001		Speed Nut (10 mm)
22.	47-090791-001		Head Centering Flap
23.	47-091501-003	N.A.	Mounting Plate
24.	11-052048-001		Flat Washer (6.4 mm)
25.	47-092072-002	N.A.	Pin Head Centering Device Assembly Complete

N.A. = No Longer Available

**Pin Head Centering Device Assembly
(Single Feed Distributor)**



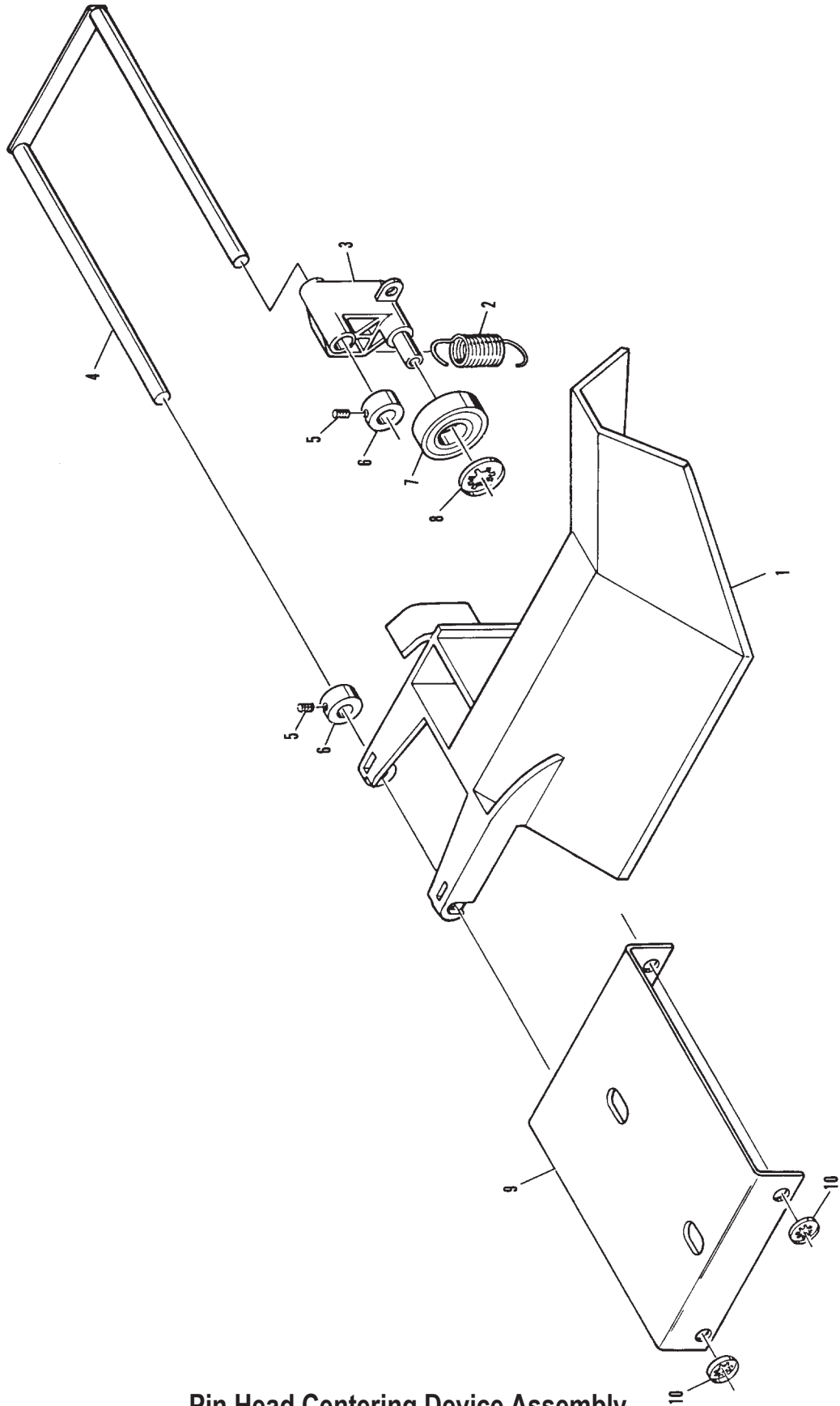
Pin Head Centering Device Assembly
(Single Feed Distributor)

Index

No.	Part No.		Description
1.	47-092043-001	N.A.	Head Centering Flap
2.	47-051491-004		Tension Spring
3.	47-092045-004		Bearing Holder
4.	47-092053-004	N.A.	Double Shaft Assembly
5.	11-052802-001		Set Screw (5 mm x 8 mm)
6.	11-053622-001		Stop Collar (8 mm x 16 mm x 8 mm)
7.	11-430049-000		Bearing
8.	11-053478-001	N.A.	Speed Nut (8 mm)
	47-861050-000	R.O.	Speed Nut (8 mm) Pkg. of 10
9.	47-092052-003	N.A.	Mounting Plate
10.	11-053480-001		Speed Nut (10 mm)

N.A. = No Longer Available

Pin Head Centering Device Assembly

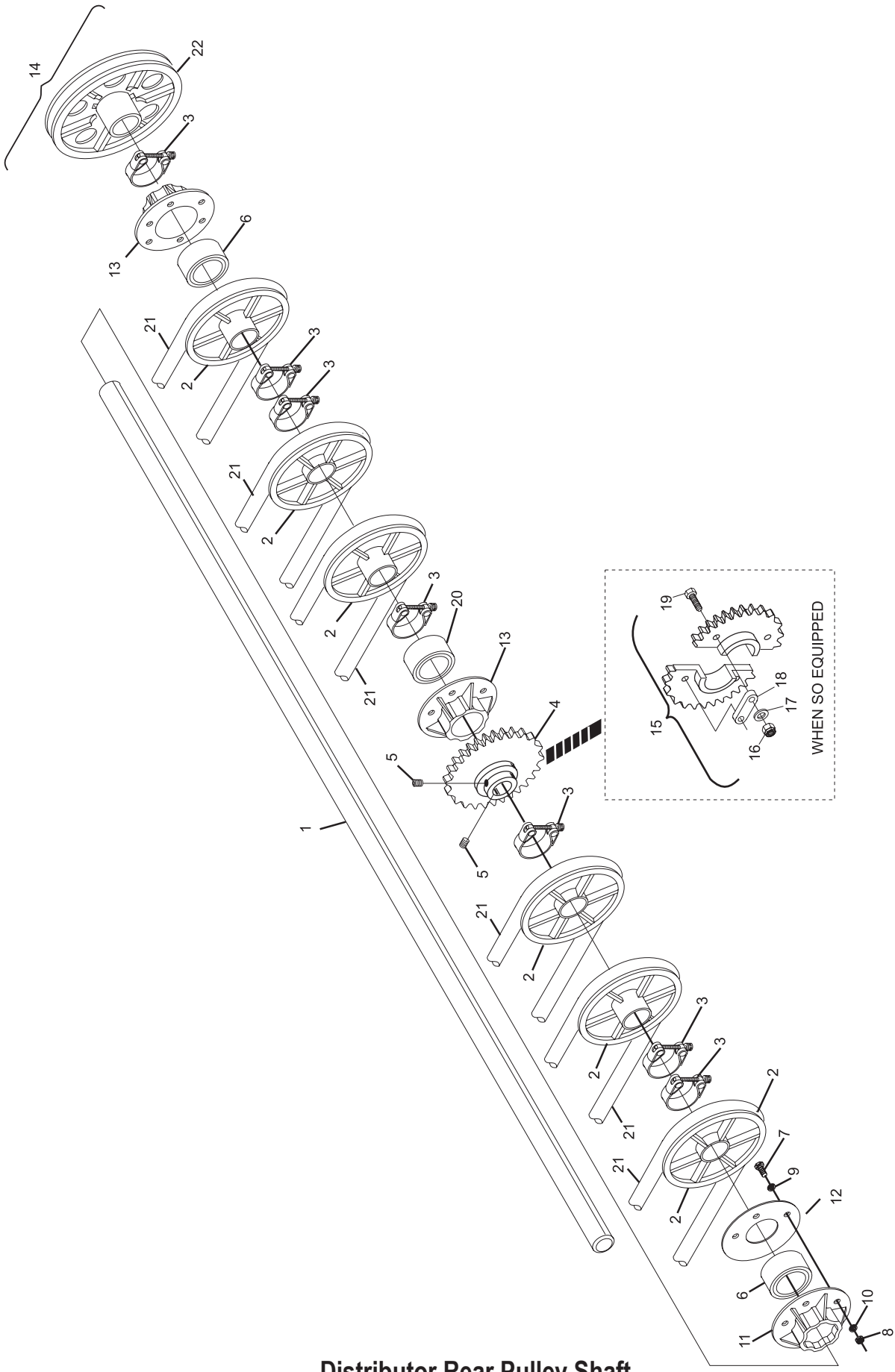


Pin Head Centering Device Assembly

Index

No.	Part No.	Description
1.	N.A.	Rear Pulley Shaft
2.	47-093863-003	Round Belt Pulley (132 mm) - use 12 mm Polycord Belt
	47-275748-009	2-Piece Pulley Kit
3.	47-093874-004	Pulley Clamp
4.	47-093900-003	Spur Gear (one piece)
	47-274669-004	Repair Kit, Distributor 2-Piece Pulley
5.	11-052801-001	Set Screw (6 mm x 6 mm)
6.	11-430013-000	Bearing
7.	11-051038-001	Hex Hd. Screw (8 mm x 20 mm)
8.	11-051704-001	Hex Nut (8 mm)
9.	11-052003-001	Flat Washer (8.4 mm)
10.	11-051744-001	Lock Washer (8 mm)
11.	47-094346-003	Bearing Shell w/ Shoulder
12.	47-094351-003	Washer
13.	47-094347-003	Bearing Shell
14.	47-094348-001	Rear Distributor Shaft Assembly
15.	47-274669-004	Spur Gear (two piece)
16.	11-051743-001	Hex Nut (6 mm)
17.	11-052008-001	Washer (6.4 mm)
18.	46-030121-004	Link
19.	11-051028-001	Hex Hd. Cap Screw (6 mm x 25 mm)
20.	47-095050-003	Plastic Bearing
21.	47-092300-004	Poly Cord (12 mm x 44 Meters long)
22.	47-024839-002	Round Belt Pulley (162 mm) - use 15 mm Polycord Belt

Distributor Rear Pulley Shaft



Distributor Rear Pulley Shaft

Index

No.	Part No.	Description
1.	47-093929-001	L.H.Pin Guide Wedge
2.	11-051852-001	Retaining Ring (17 mm)
3.	47-092415-003	Drive Belt Pulley
4.	11-052808-001	Socket Set Screw (8 mm x 40 mm)
5.	47-094072-003	R.H. Side Plate
6.	11-052019-001	Flat Washer (8.4 mm)
7.	47-013924-003	N.A. Elevator Bracket w/o Rubber Mount (336 mm long)
	47-014354-003	Elevator Z-Bracket w/o Rubber Mount (321 mm long)
8.	11-051770-001	Lockwasher (8 mm)
9.	11-052008-001	Flat Washer (6.4 mm)
10.	47-093906-001	R.H. Pin Guide Wedge
11.	47-093925-004	Spacer
12.	11-051053-001	Hex Hd. Machine Screw (8 mm x 40 mm)
13.	11-051001-001	Hex Hd. Machine Screw (6 mm x 12 mm)
14.	11-051769-001	Lockwasher (6 mm)
15.	47-093898-003	Guide
16.	11-052686-001	Roll Pin (4 mm x 40 mm)
17.	47-093899-003	Gear
18.	47-094326-004	Flange
19.	11-052605-001	N.A. Carriage Bolt (6 mm x 16 mm)
	47-861020-001	R.O. Carriage Bolt (6 mm x 16 mm) Pkg. of 5
20.	47-094095-002	Fin Switch Complete
21.	11-430007-000	Bearing
22.	47-093962-004	Tension Spring
23.	11-053478-001	N.A. Speed Nut (8 mm)
	47-861050-00	R.O. Speed Nut (8 mm) Pkg. of 10
24.	47-093908-002	Pin Guide Housing
25.	47-093905-004	Shaft
26.	47-093894-003	Pin Guide Wires Complete
27.	47-092206-004	Shaft
28.	47-094035-003	L.H. Side Plate
29.	11-052803-001	Set Screw (6 mm x 10 mm)
30.	47-093985-002	Extensions (short pit)
	47-092249-002	Extensions (long pit)
31.	47-093891-003	N.A. Mounting Plate
32.	11-052003-001	Flat Washer (8.4 mm)
33.	11-051038-001	Hex Hd. Machine Screw (8 mm x 16 mm)
34.	47-094212-004	Pulley Assembly w/Clam
35.	47-093874-004	Pulley Clamp
36.	47-093928-004	Drive Shaft
37.	11-051744-001	Locknut (8 mm)
38.	11-051702-001	Hex Nut (6 mm)
39.	*47-093934-003	Pin Deflector Shoe - Single Piece
40.	11-051072-001	Hex Hd. Machine Screw (6 mm x 14 mm)
41.	47-093920-000	N.A. Shark Switch Assembly Complete
42.	47-093911-003	L.H. Shark Rail
43.	47-093910-003	R.H. Shark Rail
44.	11-052037-001	Flat Washer (6.4 mm)
45.	47-274659-009	N.A. Shark Switch Shaft Assembly
46.	11-051743-001	Nylok Nut (6 mm)
47.	11-052850-000	Set Screw (6 mm x 20 mm)
48.	11-053579-000	Rubber Mount
49.	47-094232-004	Rubber Grommet
50.	47-092300-004	Poly Cord (12 mm x 44 Meters long)

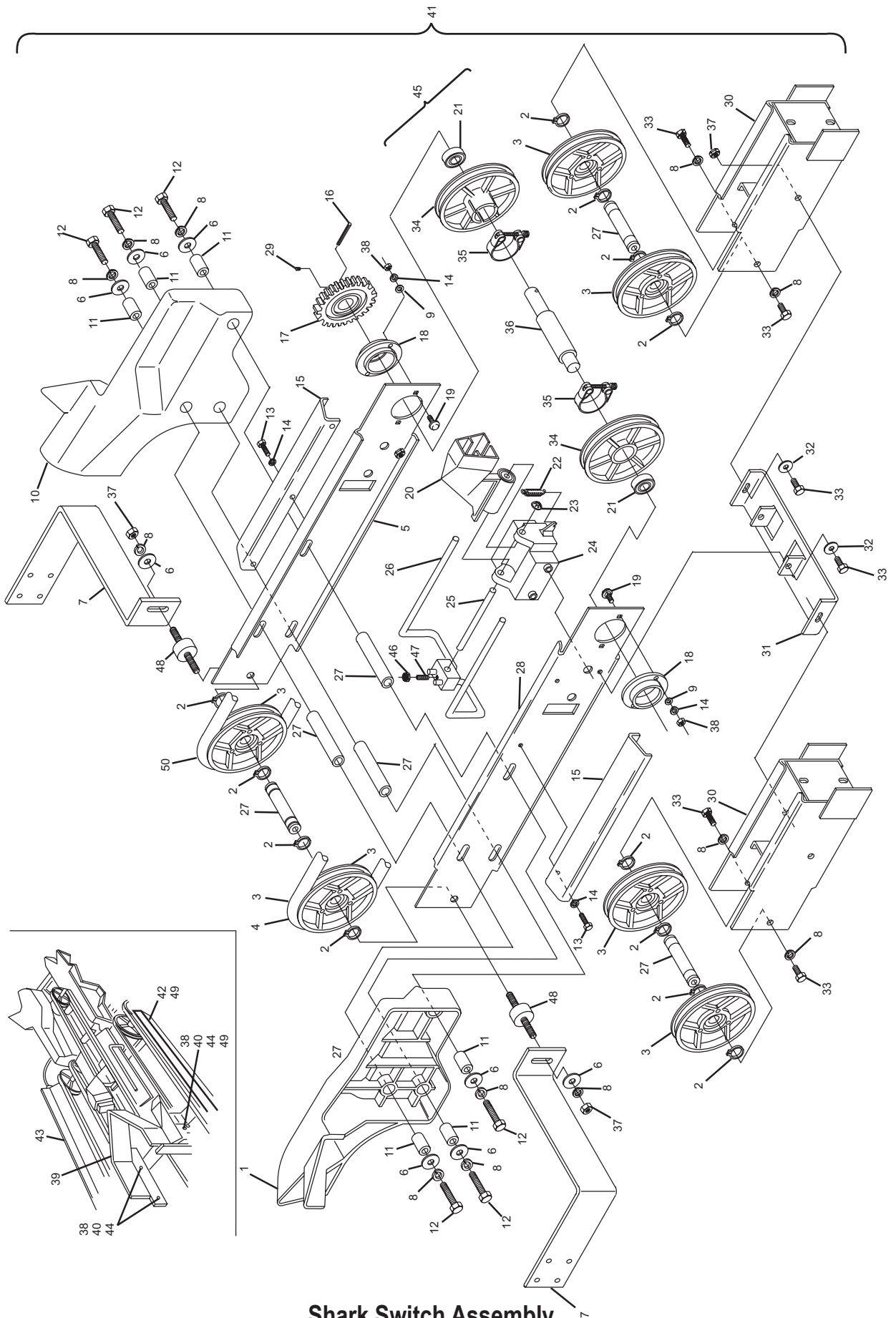
N.A. = No Longer Available

R.O. = Replacement Option

* For Two-Piece Shoe, order 1 each 47-095172-003 Right-Hand Shoe and 1 each 47-095173-003 Left-Hand Shoe.

Shark Switch Assembly

Short Pit Machines Series 43 and Above (Excludes Smart Shark)



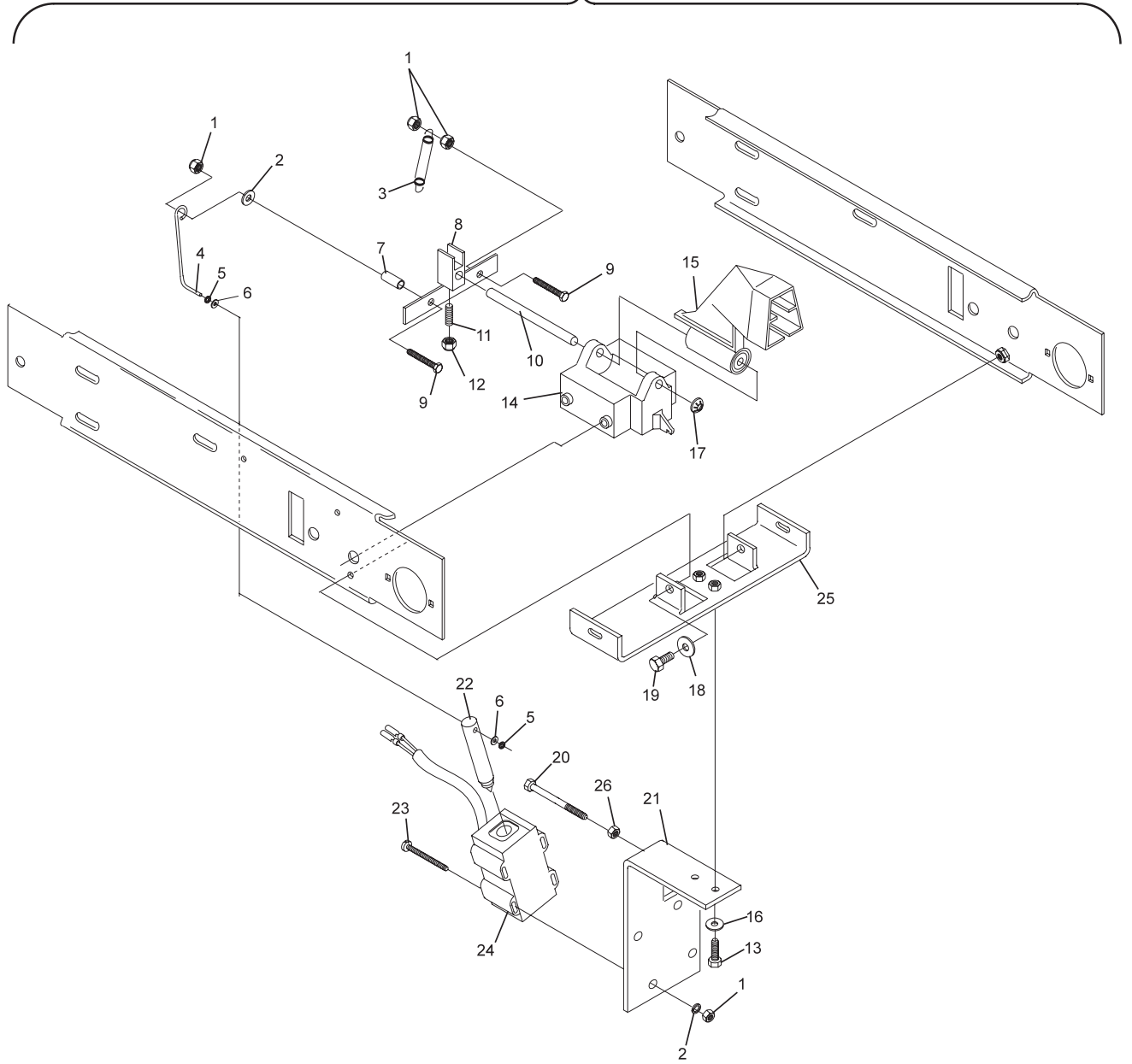
Shark Switch Assembly
Short Pit Machines Series 43 and Above (Excludes Smart Shark)

Index

No.	Part No.	Description
1.	11-051742-001	Nut (5 mm)
2.	11-052039-001	Flat Washer (5.3 mm)
3.	47-094713-004	Return Spring
4.	47-094264-004	Solenoid Link
5.	11-053476-001	Speed Nut (4 mm)
6.	11-052021-001	Flat Washer (4.3 mm)
7.	47-094265-004	Spacer
8.	47-094270-004	See Saw (Teeter)
9.	11-051004-001	N.A. Hex Head Screw (5 mm x 25 mm)
	47-861001-001	R.O. Hex Head Screw (5 mm x 25 mm) Pkg. of 10
10.	47-093905-004	Shaft
11.	11-052850-000	Socket Set Screw (6 mm x 20 mm)
12.	11-051743-001	Locknut (6 mm)
13.	11-051035-001	Hex Head Machine Screw (6 mm x 16 mm)
14.	47-093908-002	Pin Guide Housing
15.	47-094095-002	Fin Switch Complete
16.	11-051769-001	Washer (6 mm)
17.	11-053478-001	N.A. Speed Nut (8 mm)
	47-861050-000	R.O. Speed Nut (8 mm) Pkg. of 10
18.	11-052003-001	Flat Washer (8.4 mm)
19.	11-051038-001	Hex Hd. Machine Screw (8 mm x 16 mm)
20.	11-051089-001	N.A. Hex Head Cap Screw (5 mm x 45 mm)
21.	47-094704-003	Solenoid Bracket
22.	99-060133-004	Solenoid Plunger
23.	11-051558-001	N.A. Hex Head Machine Screw (5 mm x 55 mm)
24.	99-060242-004	Solenoid (silver and consolidated electronics box)
25.	47-093891-003	N.A. Mounting Plate (includes Weldnut)
26.	11-051701-001	Hex Nut (5 mm)
27.	47-094722-001	N.A. Smart Shark Assembly Complete

N.A. = No Longer Available

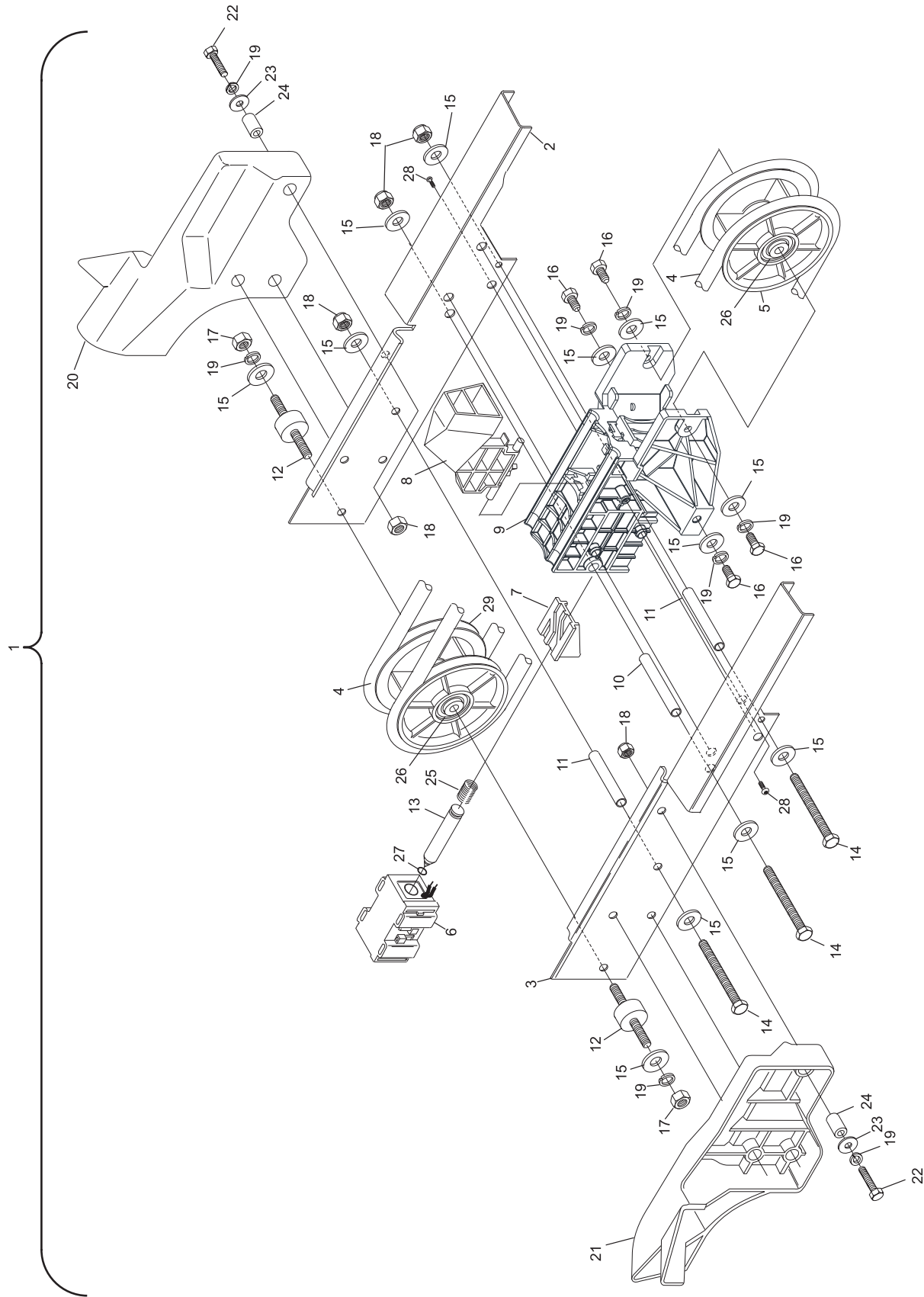
R.O. = Replacement Option



**Smart Shark
(GS - 96)**

Index

No.	Part No.	Description
1.	47-095108-001	Shark Switch Assembly
2.	47-095104-001	R.H. Guide
3.	47-095103-001	L.H. Guide
4.	47-092300-004	Polycord (12 mm x 44 Meters Long)
5.	47-095101-001	N.A. Round Belt Geared Pulley
	*47-095744-004	R.O. Round Belt Geared Pulley - Complete
6.	99-060387-004	Solenoid - only (consolidated and nexgen electronics box)
7.	47-095105-003	Slide
8.	47-095106-001	Fin Switch
9.	47-095107-003	Housing
10.	47-095112-004	Spacer - short
11.	47-095109-004	Spacer - long
12.	11-053579-000	Rubber Mount
13.	47-095111-004	Solenoid Plunger
14.	11-051081-001	Hex Hd. Cap Screw (8 mm x 100 mm)
15.	11-052006-001	Washer (8.4 mm)
16.	11-051010-001	Hex Hd. Cap Screw (8 mm x 20 mm)
17.	11-051704-001	Hex Nut (8 mm)
18.	11-051744-001	Lock Nut (8 mm)
19.	11-051770-001	Lock Washer (8 mm)
20.	47-093906-001	R.H. Pin Guide Wedge
21.	47-093929-001	L.H. Pin Guide Wedge
22.	11-051026-001	Hex Hd. Cap Screw (8 mm x 40 mm)
23.	11-052019-001	Flat Washer (8.4 mm)
24.	47-093925-004	Spacer
25.	99-090348-004	Spring
26.	11-430007-000	Bearing
27.	99-090349-004	O-Ring
28.	11-054459-000	Plastic Torx Tapping Screw (K16 x 16 mm)
29.	47-095745-004	Round Belt Pulley - Non Geared



**GS-X
Smart Shark**