

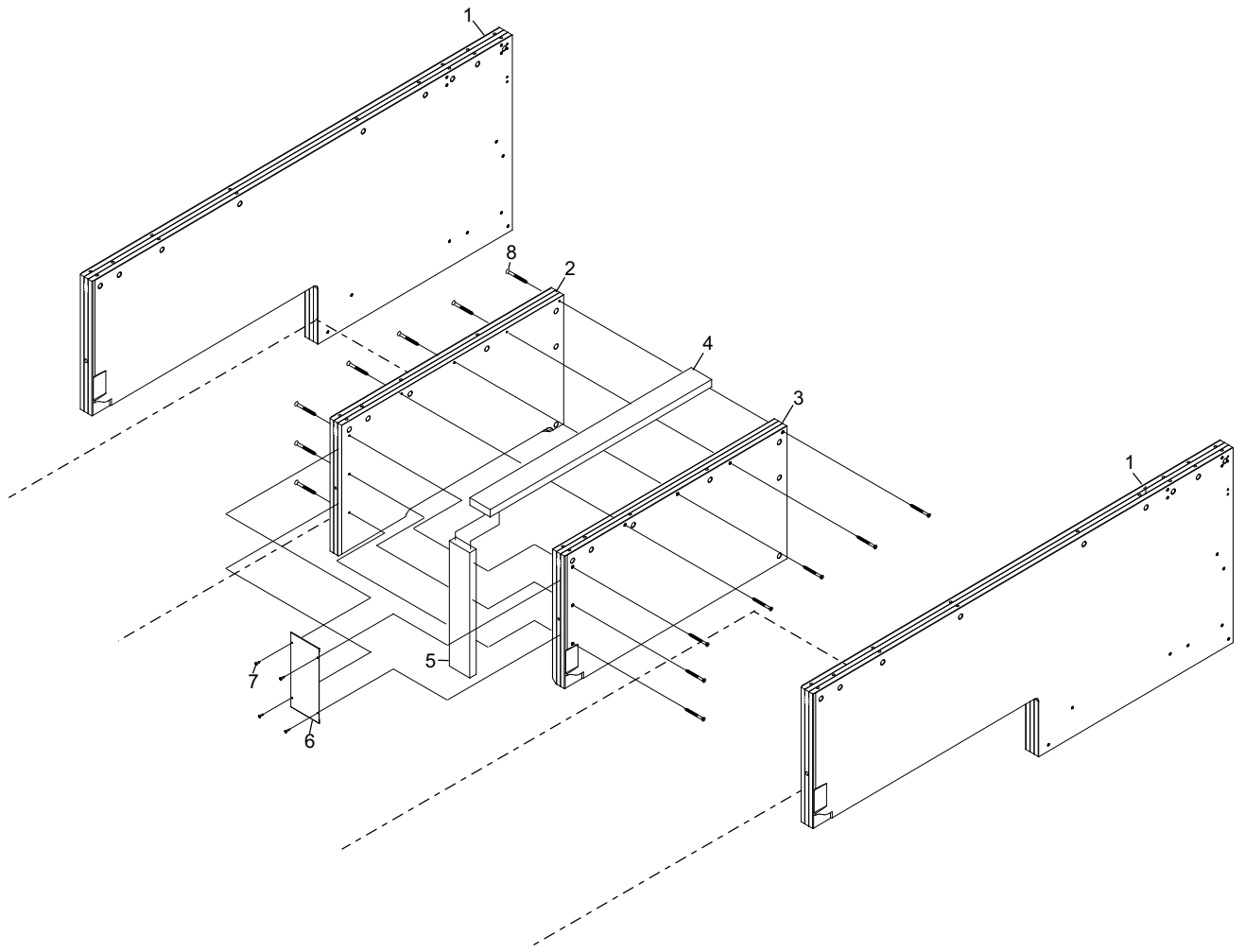
**Section B**

**Kickbacks, Mounting Frame,  
Pit Components, And Gate Assembly**

**SECTION REVISION DATE**  
*APRIL 2024*

<b>Index No.</b>	<b>Part No.</b>	<b>Package / Order Reference</b>	<b>Description</b>
1.	84-200932-000		Common Kickback, Inside/Outside Division
2.	84-200947-000		Ball Return Kickback - Left
3.	84-200946-000		Ball Return Kickback - Right
4.	84-200948-002		Kickback Filler - Top
5.	84-200948-001		Kickback Filler - Front
6.	55-279510-000		Cover Plate
7.	11-051210-021		Round Head w/Washer (#10 x 1")
8.	11-081203-001		Robertson Screw (#14 x 4")

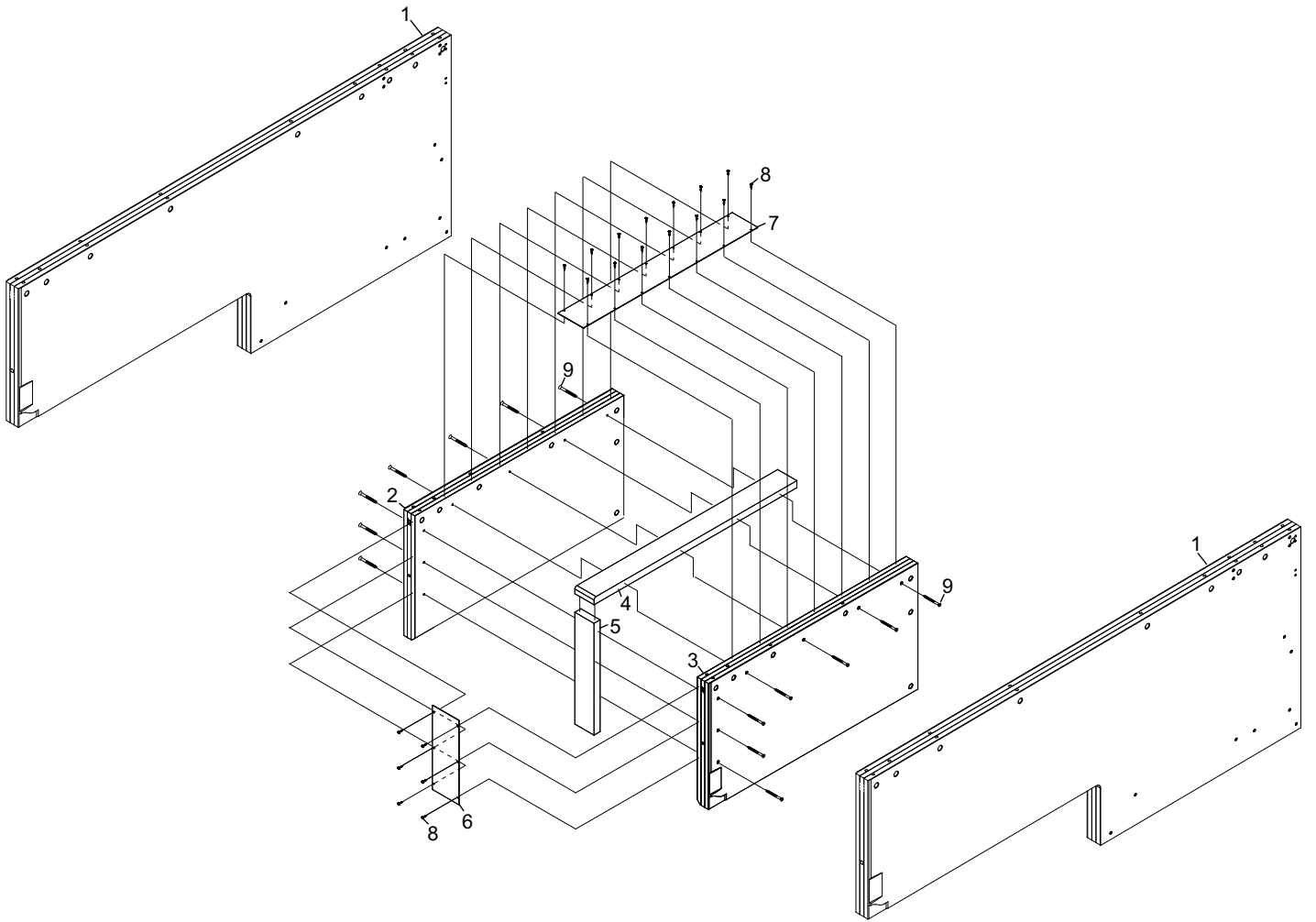
## Kick Backs



## Kick Backs

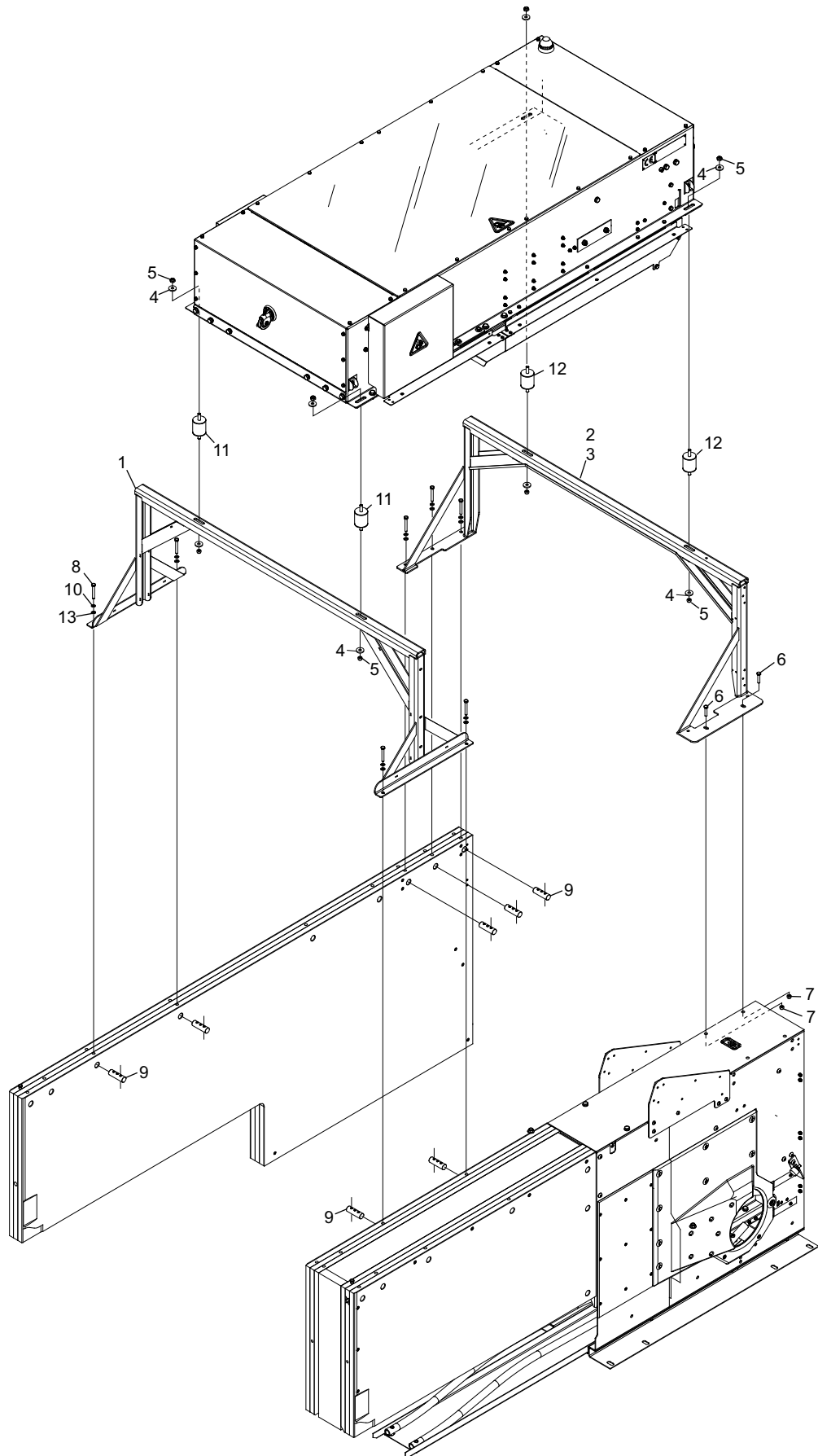
<b>Index No.</b>	<b>Part No.</b>	<b>Package / Order Reference</b>	<b>Description</b>
1.	84-200932-000		Common Kickback, Inside/Outside Division
2.	84-200954-000		Ball Return Kickback - Left
3.	84-200953-000		Ball Return Kickback - Right
4.	84-200955-002		Kickback Filler - Top
5.	84-200955-001		Kickback Filler - Front
6.	55-279935-001		Cover Plate - Front
7.	55-279935-002		Cover Plate - Top
8.	11-051210-021		Round Head w/Washer (#10 x 1")
9.	11-081203-001		Robertson Screw (#14 x 4")

## New Kick Backs



**New Kick Backs**

<b>Index No.</b>	<b>Part No.</b>	<b>Package / Order Reference</b>	<b>Description</b>
1.	55-279309-000		Front - Machine Frame
2.	55-279310-002		L.H. Rear Frame w/Door Magnets (UL)
	55-279310-001		L.H. Rear Frame w/Door Camlocks (CE)
3.	55-279311-002		R.H. Rear Frame w/Door Magnets (UL) - Not Shown
	55-279311-001		R.H. Rear Frame w/Door Camlocks (CE) - Not Shown
4.	11-052028-001		Flat Washer
5.	11-051745-001		Locknut
6.	11-051045-001		Hex Head Cap Screw (M10 x 30 mm)
7.	11-051744-001		Locknut
8.	11-051015-000		Hex Head Cap Screw
9.	84-200073-000		Barrel Nut
10.	11-051770-000		Lock Washer
11.	55-278022-000		Rubber Bumper
12.	55-279170-000		Rubber Bumper
13.	11-052003-000		Flat Washer

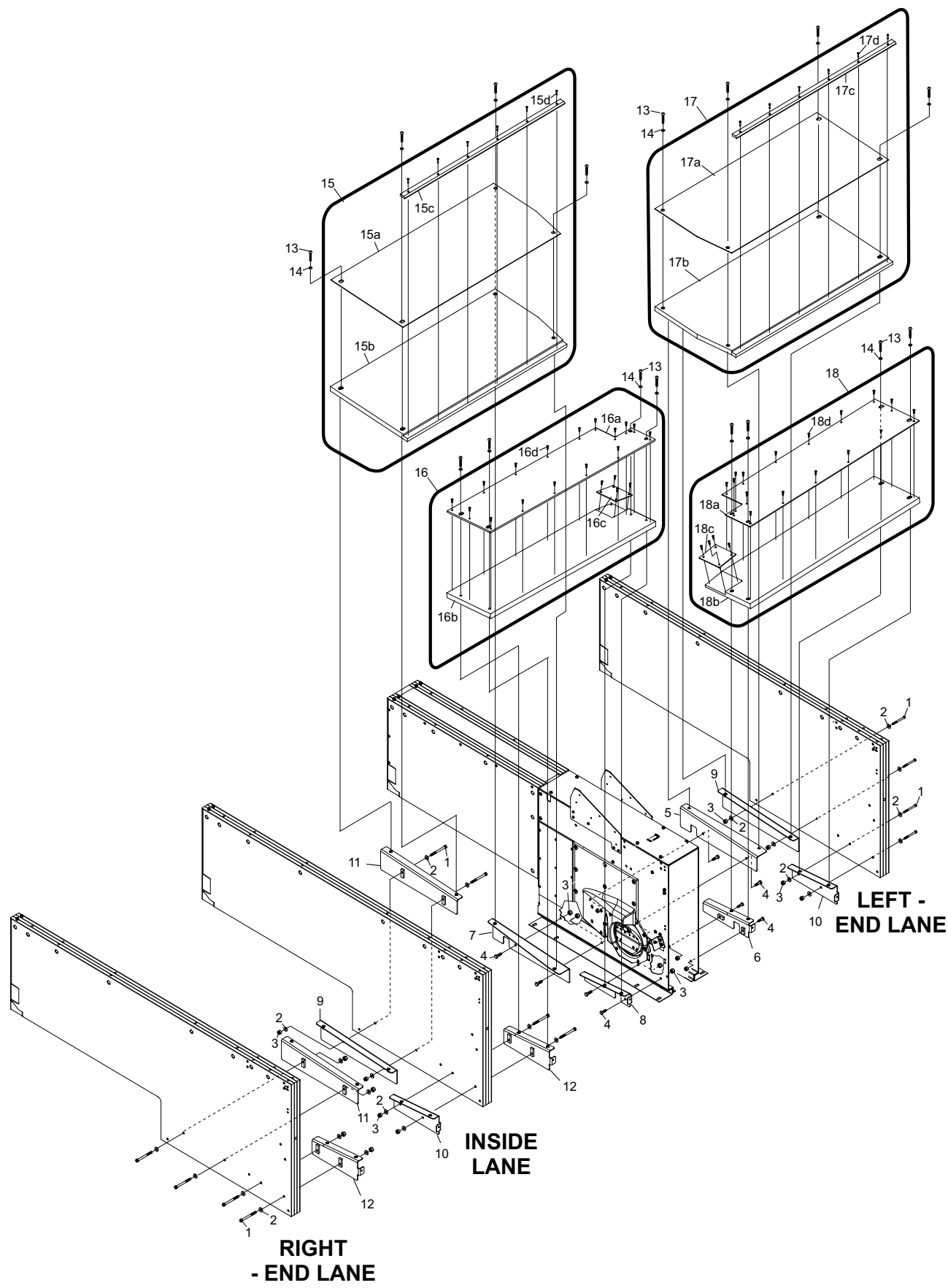


**Mounting Frame Assembly**

Index No.	Part No.	Package / Order Reference	Description
1.	11-051569-000		Socket Head Screw (M10 x 120 mm)
2.	11-052028-001		Flat Washer (10 mm)
3.	11-051970-001		Locknut (10 mm)
4.	11-051045-001		Hex Head Cap Screw (10 mm x 30 mm)
5.	55-279458-000		Side Frame L.H. Front - Ball Accelerator
6.	55-279457-000		Side Frame L. H. Rear - Ball Accelerator
7.	55-279455-000		Side Frame R.H. Front - Ball Accelerator
8.	55-279456-000		Side Frame L.H. Rear - Ball Accelerator
9.	55-279461-000		Side Frame L.H. Front - Division Kickback
10.	55-279462-000		Side Frame L.H. Rear - Division Kickback
11.	55-279459-000		Side Frame R.H Front - Division Kickback
12.	55-279460-000		Side Frame R.H Rear - Division Kickback
13.	11-054829-000		Button Head Cap screw (M10 x 50 mm)
14.	11-052018-000		Flat Washer (M10)
15.	55-279306-000		Front Pit Board Assembly R.H.
	15a. 55-279306-C02		Top Pit Board R.H.
	15b. 55-279306-C01		Front Pit Board Plate R.H.
	15c. 55-279463-000		Long Strip
	15d. 11-051894-000		Torx Self Cntr Sink Head Wood Screw (M5 x 35 mm)
16.	55-279308-000		Rear Pit Board R.H.
	16a. 55-279308-C02		Rear Top Plate R.H,
	16b. 55-279308-C01		Rear Pit Board R.H.
	16c. 55-279308-C03		Rear Top Short Plate
	16d. 11-051897-000		Torx Self Cntr Sink Head Wood Screw (M4.5 x 20 mm)
17.	55-279305-009		Front Pit Board Assembly
17a.	55-279305-C02		Front Top Plate L.H,
17b.	55-279305-C01		Front Pit Board Plate
17c.	55-279463-000		Long Strip
17d.	11-051894-000		Torx Self Cntr Sink Head Wood Screw (M5 x 35 mm)
18.	55-279307-000		Rear Pit Board R.H.
	18a. 55-279307-C02		Rear Top Plate R.H.
	18b. 55-279307-C01		Rear Pit Board Plate L.H.
	18c. 55-279307-C03		Rear Top Plate L.H.
	18d. 11-051897-000		Torx Self Center Sink Head Wood Screw (M4.5 x 20 mm)

## Pit Frames and Boards





**RIGHT  
- END LANE**

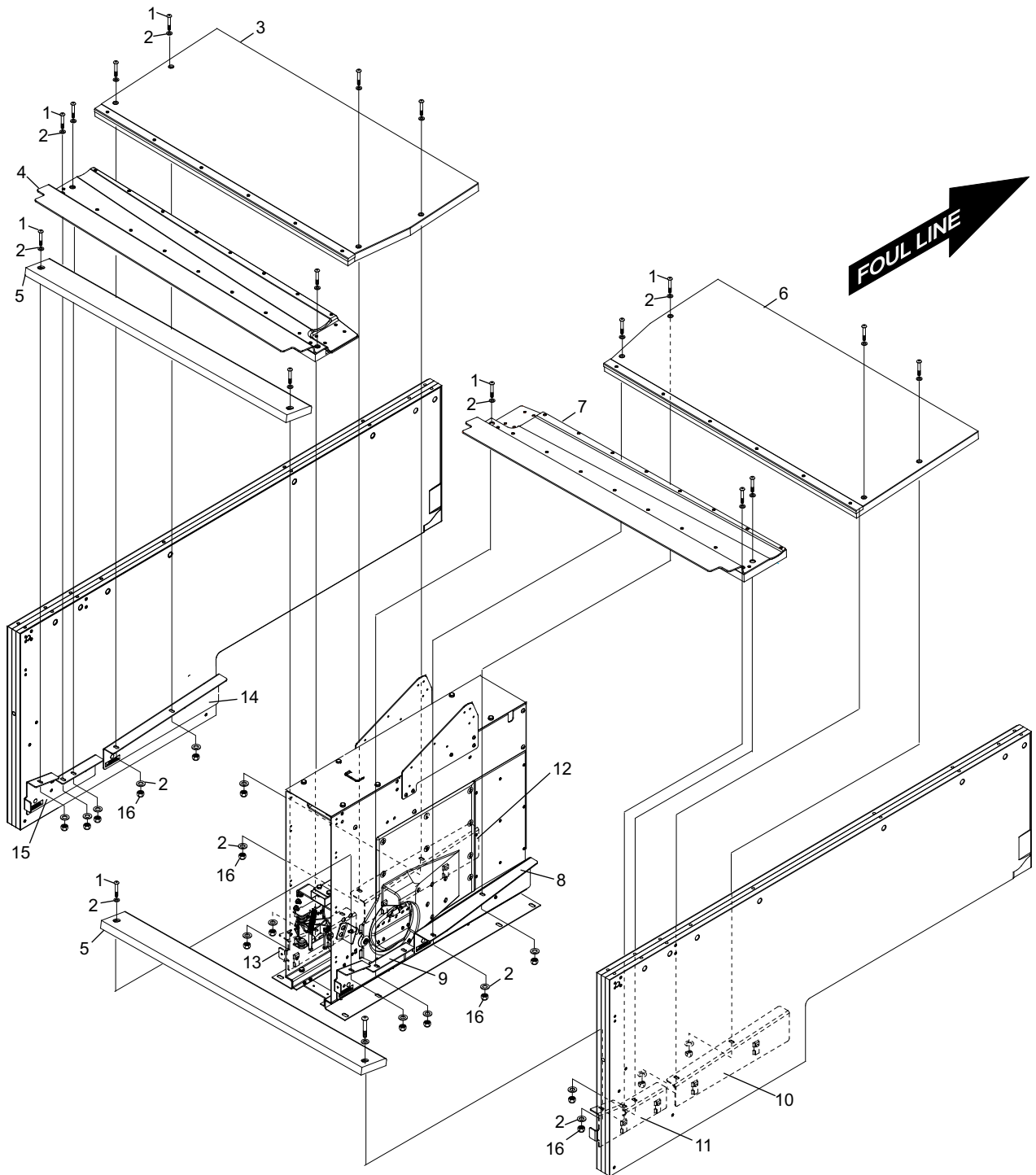
**INSIDE  
LANE**

**LEFT -  
END LANE**

**Pit Frames and Boards**

<b>Index No.</b>	<b>Part No.</b>	<b>Package / Order Reference</b>	<b>Description</b>
1.	11-054829-000		Button Head Cap screw (M10 x 50 mm)
2.	11-052018-001		Flat Washer
3.	55-279698-009		Assembly R.H. Front Pit Board
4.	55-279682-009		Pit Board R.H. Rear Front
5.	55-279688-000		Rear Common Pit Board
6.	55-279697-009		Assembly L.H. Front Pit Board
7.	55-279681-009		Assembly Pit Board L.H. Rear Front
8.	55-279694-000		Pit Board Mounting Bracket L.H. Front - Ball Accelerator
9.	55-279690-000		Pit Board Mounting Bracket L.H. Rear - Ball Accelerator
10.	55-279693-000		Pit Board Mounting Bracket L.H. Front - Division Kickback
11.	55-279689-000		Pit Board Mounting Bracket L.H. Rear - Division Kickback
12.	55-279696-000		Pit Board Mounting Bracket R.H. Front - Ball Accelerator
13.	55-279692-000		Pit Board Mounting Bracket R.H. Rear - Ball Accelerator
14.	55-279695-000		Pit Board Mounting Bracket R.H. Front - Division Kickback
15.	55-279691-000		Pit Board Mounting Bracket R.H. Rear - Division Kickback
16.	11-051745-001		Lock Nut (M10 w/Nylon Insert)

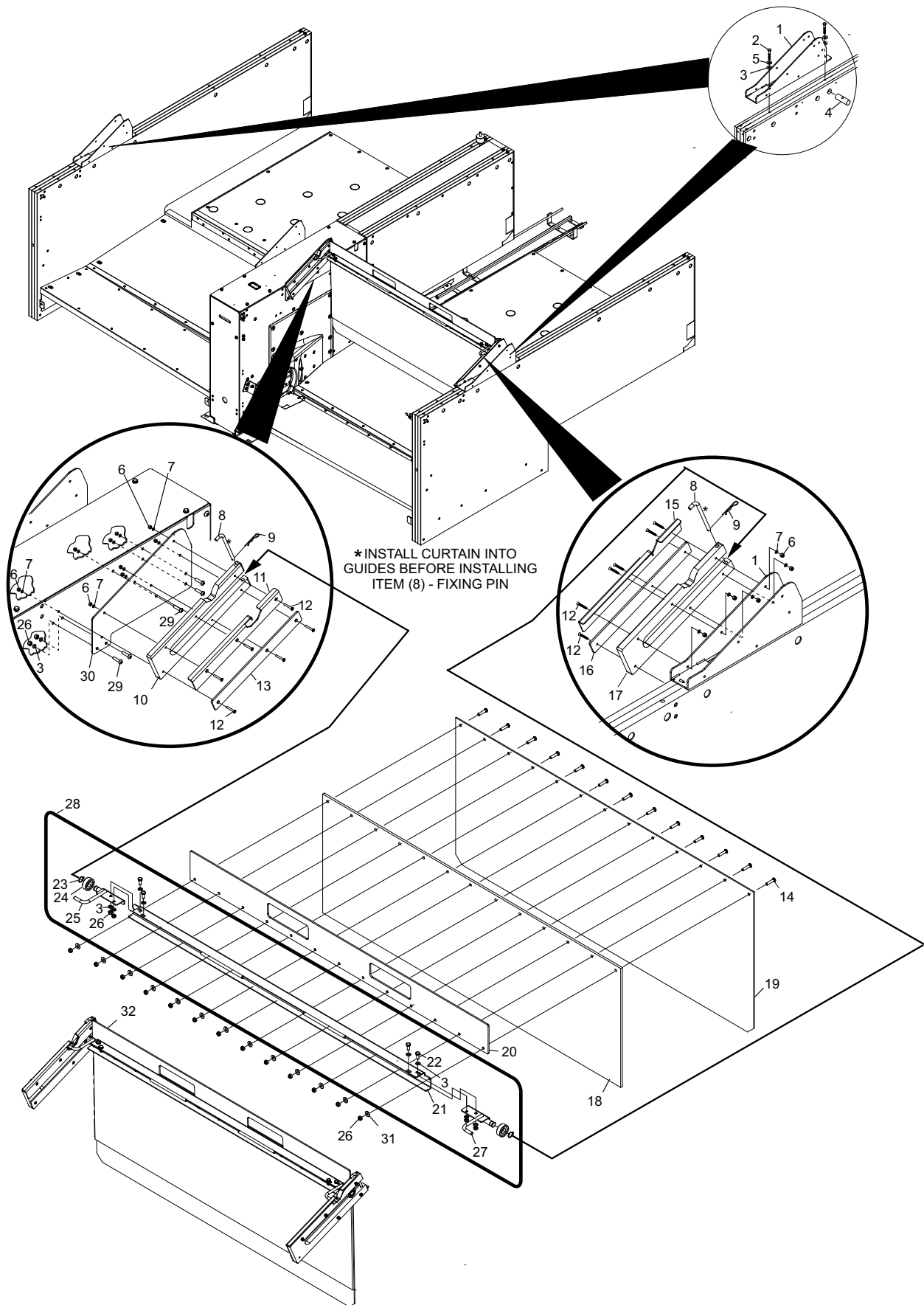
## Pit Frames and Boards - Vacuum Formed



### Pit Frames and Boards - Vacuum Formed

Index No.	Part No.	Package / Order Reference	Description
1.	55-279312-000		Curtain Holder - Division Side
2.	11-051054-001		Hex Head Cap Screw (M8 x 60 mm)
3.	11-052003-001		Flat Washer (M8)
4.	84-200073-000		Barrel Nut (M8)
5.	11-051770-001		Lock Washer (M8)
6.	11-051742-000		Locknut (M5)
7.	11-052020-001		Flat Washer (M10)
8.	55-279204-000		Fixing Pin
9.	11-054300-000		Cotter Pin
10.	55-279199-000		Side Curtain Holder, R.H.
11.	55-279202-000		Curtain Guide Rail, R.H.
12.	11-052941-001		Flat Head Socket Screw
13.	55-279395-000		Protector Plate, R.H.
14.	11-051815-000		Button Head Screw (M8 x 35 mm)
15.	55-279201-000		Curtain Guide Rail, L.H.
16.	55-279394-000		Protector Plate, R.H.
17.	55-279200-000		Side Curtain Holder, L.H.
18.	55-279203-001		Assembly, Moving Pin Curtain Holder
19.	55-279197-000		Pin Curtain, Front
20.	47-021084-000		Rubber Curtain
20.	55-279356-000		Upper Guard
21.	55-279203-000		Moving Pin Curtain Holder
22.	11-051010-000		Hex Head Cap Screw (M8 x 20 mm)
23.	11-051852-000		External Retaining Ring
24.	55-279393-000		Bearing
25.	55-279296-000		Assembly Adjusting Plate, R.H.
26.	11-051744-000		Locknut (M4)
27.	55-279295-000		Assembly Adjusting Plate, L.H.
28.	55-279203-001		Assembly, Moving Pin Curtain Holder
29.	11-054801-001		Button Head Screw
30.	55-109301-000		Curtain Holder
31.	11-052006-000		Flat Washer
32.	55-279196-009		Curtain Assembly

## Pit Curtain

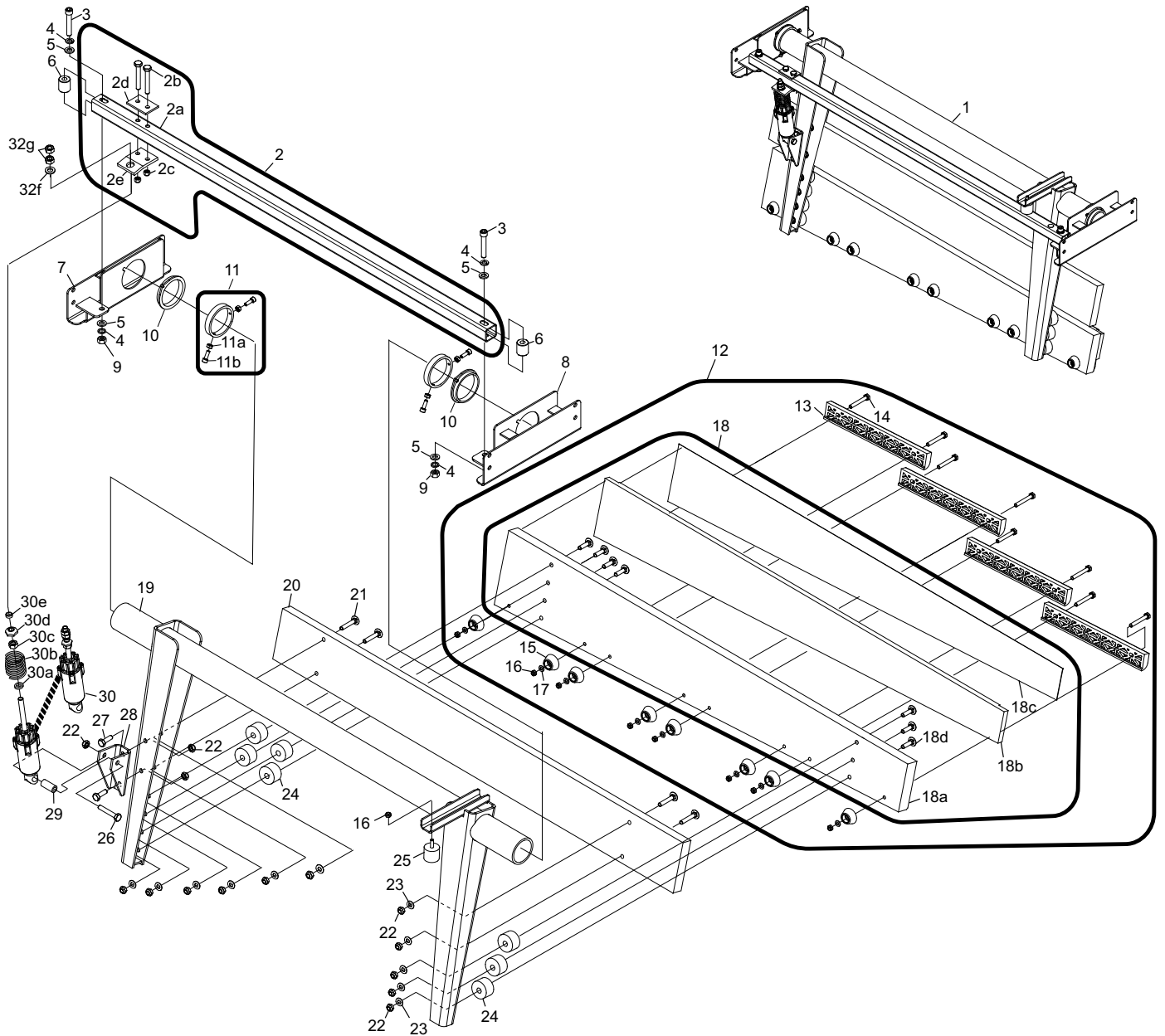


\* INSTALL CURTAIN INTO GUIDES BEFORE INSTALLING ITEM (8) - FIXING PIN

**Pit Curtain**

Index No.	Part No.	Package / Order Reference	Description
1.	55-279323-009		L.H. Ball Cushion Assembly
2.	55-279320-009		Transverse Bar Assembly
	2a. 55-279320-000		Traverse Bar
	2b. 11-051031-000		Hex Head Cap Screw (M10 x 65 mm)
	2c. 11-051745-000		Locknut (M4)
	2d. 47-021120-004		Square Tube Mounting Plate
	2e. 47-021111-004		Hydraulic Mounting Plate
3.	11-051554-000		Socket Head Cap Screw (M12 x 70 mm)
4.	11-051772-000		Lock Washer
5.	11-052015-000		Flat Washer
6.	47-021110-004		Square Tube Spacer
7.	55-279319-000		Ball Cushion Holder, RH
8.	55-279318-000		Ball Cushion Holder, LH
9.	11-051706-000		Locknut
10.	99-010108-004		Bearing
11.	47-020953-004		Stop Collar
	11a. 11-051702-000		Hex Nut
	11b. 11-051515-000		Socket Head Cap Screw (M8 x 16 mm)
12.	55-279321-009		Assembly, Ball Cushion Board, LH - includes index nos 13, 14, 15, 16, 17, 18, 18a, 18b, 18c, and 18d
13.	47-021010-003		Impact Strip
14.	11-051055-000		Hex Head Cap Screw (M8 x 60 mm)
15.	47-023660-004		Cap
16.	11-051744-000		Locknut
17.	11-052003-000		Flat Washer
18.	47-027221-000		Assembly, Ball Cushion Board, LH - includes index nos. 18a, 18b, 18c and 18d
	18a.47-027219-000		Ball Cushion Board, LH
	18b.47-024953-000		PUR Foam Pit Board, LH
	18c.47-025152-003		Facing
	18d.11-052623-000		Carriage Bolt (M10 x 40 mm)
19.	55-279316-000		String Cushion Frame, LH
20.	55-279392-000		Ball Cushion Baiord, Top
21.	11-052618-000		Carriage Bolt (M10 x 40 mm)
22.	11-051745-000		Locknut
23.	11-054274-001		Flat Washer
24.	99-070398-004		Rubber Bumper
25.	11-053591-000		Motor Mount
26.	11-051071-000		Hex Head Cap Screw (M10 x 60 mm)
27.	11-051019-000		Hex head Cap Screw (M10 x 25 mm)
28.	47-025637-000		Support
29.	47-052638-000		Spacer
30.	99-026121-000		Shock, Complete - includes index nos. 30a, 30b, 30c, 30d, and 30e
	30a. 11-055351-000		Seal
	30b. 47-071602-004		Spring
	30c. 11-051706-000		Hex Nut
	30d. 47-021119-004		Round Top
	30e. 47-021108-004		Spacer for Hydraulic

## Ball Cushion

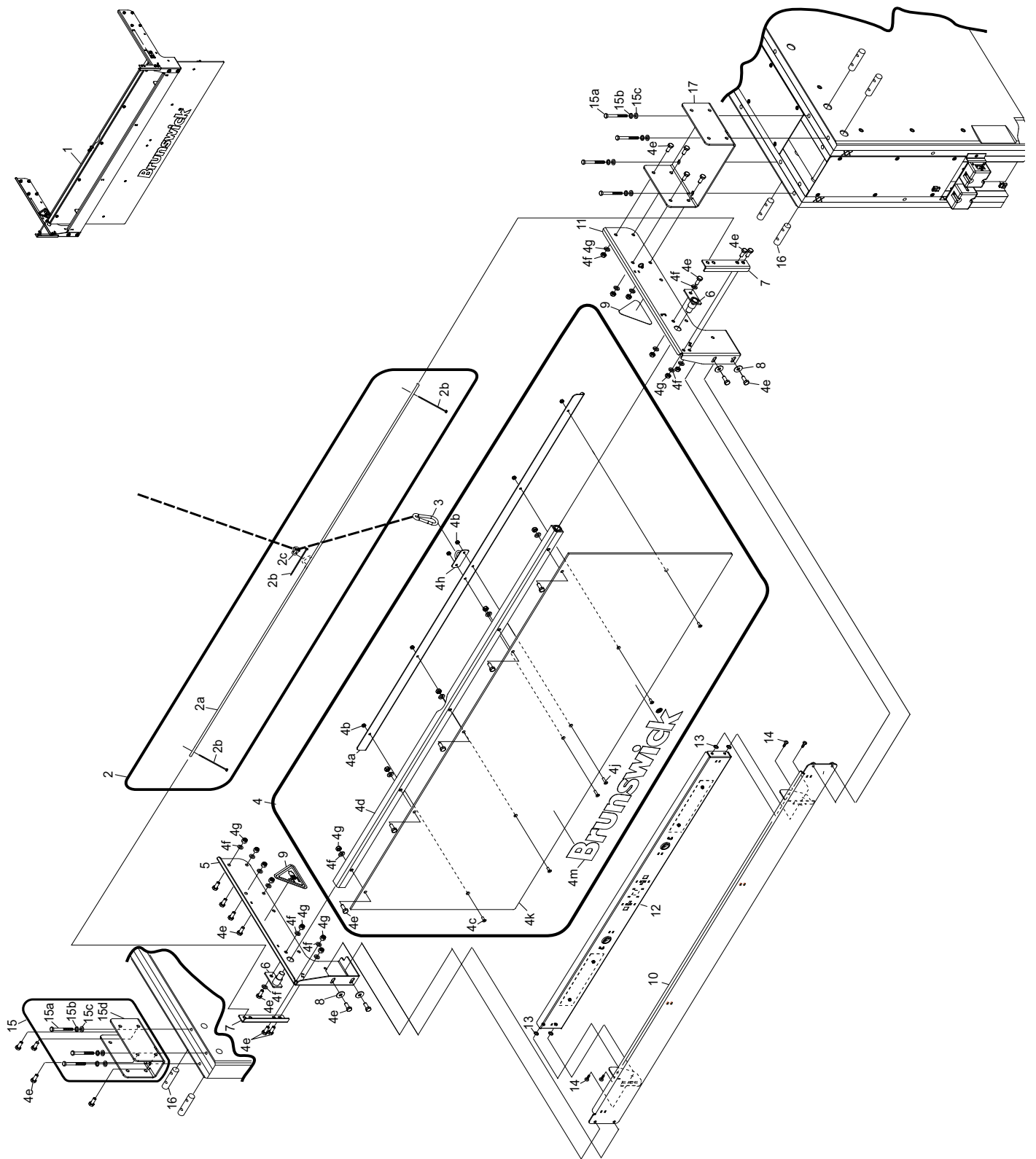


## Ball Cushion

Index No.	Part No.	Package / Order Reference	Description
1.	55-279195-009		Front Gate Package - does not include index No. 12
2.	55-277826-000		Assembly Elastic String
	2a. 55-277826-000		Elastic String
	2b. 11-603119-000		Cable Tie
	2c. 11-599006-000		Snap Hook
3.	11-599005-000		Snap Ring
4.	55-279193-009		Assembly Front Gate
	4a. 55-279211-000		Cross Support
	4b. 11-052742-000		Locknut (M5)
	4c. 11-051947-000		Flat Socket Head Cap Screw
	4d. 55-279194-000		Front Gate Support
	4e. 11-051010-000		Hex Head Cap Screw
	4f. 11-052003-000		Flat Washer
	4g. 11-051744-000		Lock Nut (M8)
	4h. 11-056301-000		Clasp Eyepad
	4j. 11-052953-000		Flat Socket Head Cap Screw
	4k. 55-279193-000		Gate Board Plate
5.	55-279209-000		L.H. Front Gate Holder
6.	55-279207-000		Fixing Pin
7.	55-277827-000		"L" Bracket
8.	11-052019-000		Flat Washer
9.	99-268201-003		"Pinch Point" Safety Label
10.	55-279210-000		Pin Light Holder
11.	55-279208-000		RH Front Gate Holder
12.	57-501526-000		Nitro Deck Lite Dual Color
	57-501524-000		Nitro Deck Lite Multi Color
13.	11-052023-021		External Tooth Lock Washer
14.	11-053788-015		Pan Head Screw (M5 x 12 mm)
15.	55-279350-009		Package - Front Gate Support, LH - includes index Nos. 15a, 15b, 15c, and 15d
	15a. 11-051054-001		Hex Head Cap Screw (M8 x 60 mm)
	15b. 11-051770-001		Lock Washer
	15c. 11-052003-000		Flat Washer
	15d. 55-279337-000		Front Gate Support, LH
16.	84-200073-000		Barrel Nut
17.	55-277934-000		Front Gate Support - Ball Return

## Front Gate / Pinlight





Front Gate / Pinlight