



Parts Reference

DuckPin Social Ten Pin

October 2023/ 55-900007-000

Brunswick® 

CUSTOMER SERVICE

A tradition in excellence.

DuckPin Social Part Reference Catalog

© October 2023 by Brunswick Bowling Products. All rights reserved.

Reorder Part No. 55-900007-000

Notice: If available, updates to this catalog can be found on-line at www.brunswickbowling.com.

Confidential proprietary information. All information contained in this document is subject to change without notice.

Brunswick Bowling Products
525 West Laketon Avenue
Muskegon, MI 49441
U.S.A.

231.725.3300

Contents

Section A Ball Lift, Pit, Ball Ramp/Rack

Ball Elevator - Duck Pin	A2
Pit Assembly DPS.....	A4
Ramp	A6
Rack	A8

Section B Kickbacks

Division Kick Backs DPS	B2
Ball Return Kick Backs DPS	B4

Section C Frame

Frame Assembly.....	C2
Clutch Jam (Tangle) Mechanism	C4
Chain Drive Assembly	C6
String Lever Assembly.....	C8
Frame - Drive Assembly	C10

Section D Pin System

Pin Motion Interface (PMI).....	D2
Return Lever Assembly	D4
Setting Platform Assembly - Duck Pin	D6

Section E Electronics

Switch Cluster.....	E2
Ball Detect	E4
360 Controller	E6
StringPin 360 Controller Bottom Connection Cabling	E8
StringPin 360 Controller Back Connection Cabling	E10
String Pinsetter Internal Cabling	E12
Pin Station Cable Assembly	E14
StringPin Switch Cluster Cable Assembly	E16
StringPin Pinsetter Motor Cable Assembly 55-143011-000.....	E18
StringPin 360 Controller to PMI 55-143012-XXX	E20
StringPin Emergency Stop Box - Rear Mount Cable 55-143013-xxx.....	E22
Ball Accelerator Overload Cable - Rear Mount Cable 55-143014-XXX.....	E24
1st and 2nd Ball LED lights Cable Assembly 55-143015-XXX.....	E26
Foul/Ball lift/ Ball Detect ,Cable Assembly 55-143016-XXX	E28
String Pinsetter Mechanic's Stop Switch Cable Assembly 55-143017-000.....	E30
String Pinsetter Motor Overload Cable Assembly 55-143018-000	E32
String Pinsetter Trouble light Cable Assembly 55-143019-000	E34
StringPin Motor Power, Cable Assembly - Rear Mount Cable 55-143067-XXX.....	E36
String Pinsetter Switch Cluster EXT Cable Assembly 55-143068-XXX.....	E38
String Pinsetter DC Pinlight Cable Assembly 55-143069-XXX.....	E40

Section F Guards and Safety

Guards.....	F2
Rear - Ladder, Handrail and Guards	F4
Guards and Doors	F6
Front Hand Rails and Step	F8
Magnetic Interlocks	F10
Rear Access Angled Guards	F12

Section G Masking Unit

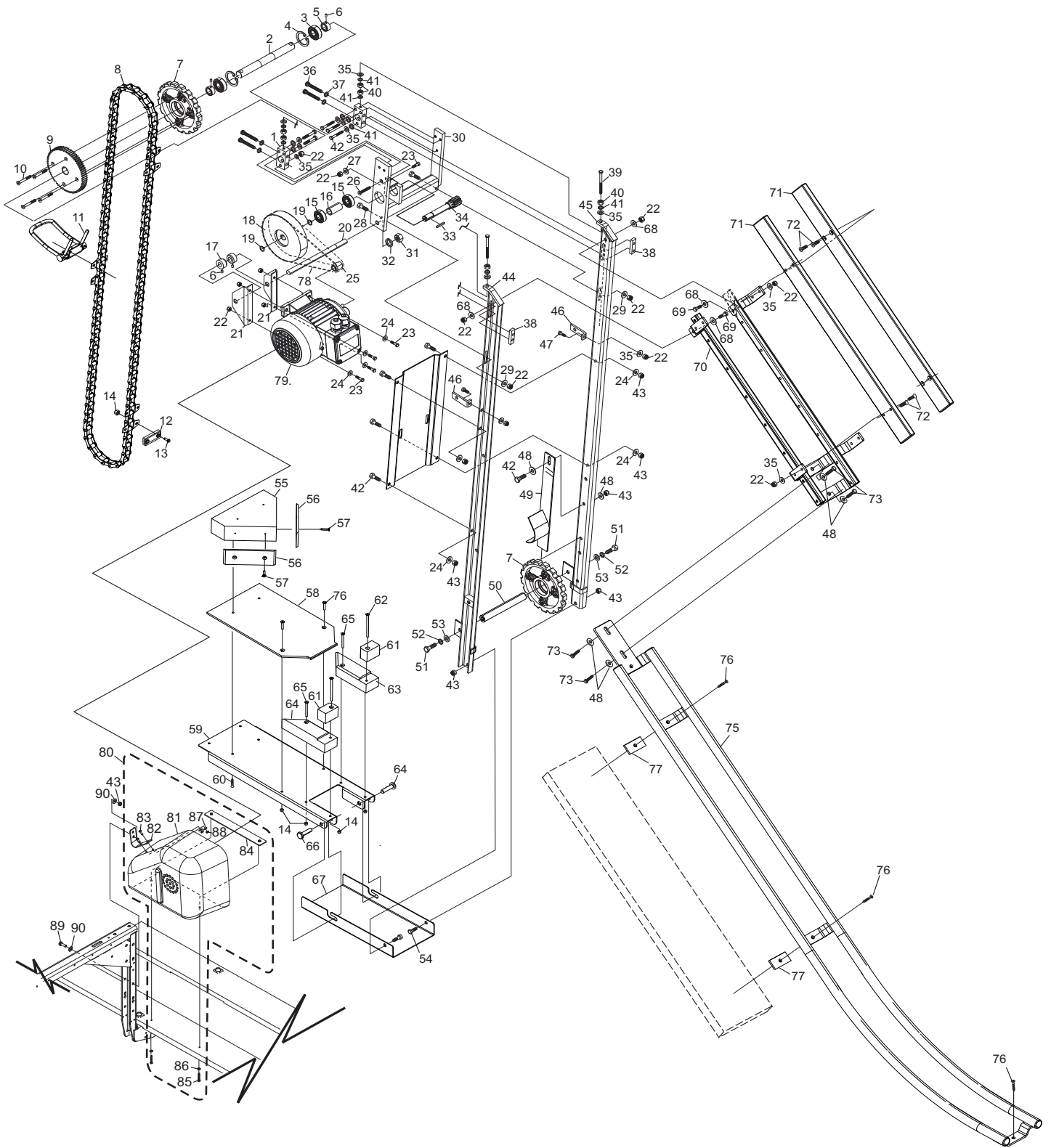
Masking Unit - Duck Pin G2
Masking Unit Electronics- Red / Green Light..... G4
Masking Unit Lights G6
Masking Unit Electronics- Duck Pin..... G8

Section A

Ball Lift, Pit, Ball Ramp/Rack

Index No.	Part No.	Package / Order Reference	Description
1.	55-108396-001		Adjustable Block
2.	55-108374-000		Drive Shaft
3.	11-430050-000		Bearing
4.	11-051901-000		Retaining Ring
5.	11-053619-000		Metric Stop Ring
6.	11-053104-000		Set Screw
7.	55-108470-000		Sprocket
8.	55-108389-000		Chain Assembly Complete
9.	55-108480-000		Drive Gear
10.	11-052950-001		Screw - Socket Flat Head (C'Sink)
11.	55-108385-009		Ball Paddle Assembly
12.	55-108366-009		Ball Paddle Stop Assembly
13.	11-052947-001		Screw - Socket Flat Head (C'Sink)
14.	11-051742-001		Hex Lock Nut (M5)
15.	11-430006-000		Bearing
16.	55-108393-000		Spacer
17.	11-053622-000		Stop Collar
18.	55-108364-000		Flat Belt Pulley
19.	11-051858-001		External Retaining Ring
20.	55-108400-001		Motor Mount Shaft
21.	55-108399-001		Motor Mount Bracket
22.	11-051743-001		Locknut (M6)
23.	11-051018-001		Hex Head Cap Screw (M6 x 20 mm)
24.	11-052003-001		Flat Washer
25.	55-108541-000		Motor Pulley, 50Hz
	55-108317-000		Motor Pulley, 60Hz
26.	11-052954-001		Screw-Socket Flat Head(C'snk)
27.	11-052037-001		Flat Washer
28.	11-051135-001		Hex Head Cap Screw (M6 x 16 mm)
29.	11-052007-001		Flat Washer (M6)
30.	55-108394-000		Drive Mounting Block
31.	11-051706-001		Hex Nut
32.	11-051772-001		Lock Washer
33.	11-053051-000		Key
34.	55-108365-000		Pinion Shaft
35.	11-052008-001		Flat Washer (M6)
36.	11-051525-001		Socket Head Cap Screw (M8 x 45 mm)
37.	11-051770-001		LockWasher (M8)
38.	55-108483-000		Nut Plate
39.	11-051024-001		Hex Head Cap Screw (M6 x 70 mm)
40.	11-051702-001		Hex Nut
41.	11-051769-001		LockWasher
42.	11-051010-001		Hex Head Cap Screw (M8 x 20 mm)
43.	11-051744-001		Locknut (M8)
44.	55-108341-000		Ball Elevator Side Frame LH (Short)
45.	55-108340-000		Ball Elevator Side Frame RH (Short)
46.	55-108313-000		Elevator "L" Bracket
47.	11-051035-001		Hex Head Cap Screw (M6 x 16 mm)
48.	11-052006-001		Flat Washer
49.	55-108363-000		Paddle Turn Cam
50.	55-108397-001		Lower Drive Shaft
51.	11-051019-001		Hex Head Cap Screw (M10 x 25 mm)
52.	11-051771-001		Lock Washer (M10)
53.	11-052018-001		Flat Washer
54.	11-051038-001		Hex Head Cap Screw (M8 x 16 mm)
55.	55-108324-000		Deflector
56.	55-108325-000		Protector Plate
57.	11-051892-000		Screw Torx Flat Head Wood
58.	55-108321-000		Guide Plate Assembly Mount Plate
59.	55-108320-000		Support for Guide Plate
60.	11-051894-000		Screw Torx Self Counter Sink Head Wood (M5 x 35 mm)
61.	55-108338-000		Bumper
62.	11-052949-001		Screw Socket Flat Head (M5 x 75 mm)
63.	55-108323-000		Bumper RH
64.	55-108322-000		Bumper LH
65.	11-0529XX-001		Screw Socket Flat Head (M5 x 45 mm)
66.	55-108320-000		Guide Plate Pin
67.	55-108318-000		Base Plate
68.	11-052048-001		Flat Washer
69.	11-051028-001		Hex Head Cap Screw (M6 x 25 mm)
70.	55-108331-000		Top Gutter
71.	55-108333-000		Guide Plate
72.	11-052950-001		Flat Head Socket (C'snk) Screw
73.	11-051015-001		Hex Head Cap Screw (M8 x 25 mm)
74.	11-025006-001		Flat Washer
75.	55-108828-000		Step Down Track
76.	11-081201-000		Flat Head Robertson Screw (#10 x 1-1/2")
77.	55-108696-000		Vibration Dampener
78.	55-108392-000		Flat Belt
79.	55-108388-208		Motor with Cables and Pulley, 208VAC
	55-108388-220		Motor with Cables and Pulley, 220VAC
	55-108388-380		Motor with Cables and Pulley, 380VAC
80.	55-108707-009		Motor Cover Assembly w/Hardware
81.	55-108349-000		Motor Cover
82.	55-108359-000		Mounting Bracket
83.	11-054813-000		Round Head Screw (M5 x 16 mm)
84.	55-108708-000		Nut Bracket
85.	11-054819-001		Round Head Screw (M5 x 40 mm)
86.	11-052768-001		Lock Washer
87.	11-052039-000		Flat Washer
88.	11-051742-000		Lock Nut
89.	11-051015-001		Hex Head Cap Screw (M8 x 25 mm)
90.	11-052006-001		Flat Washer

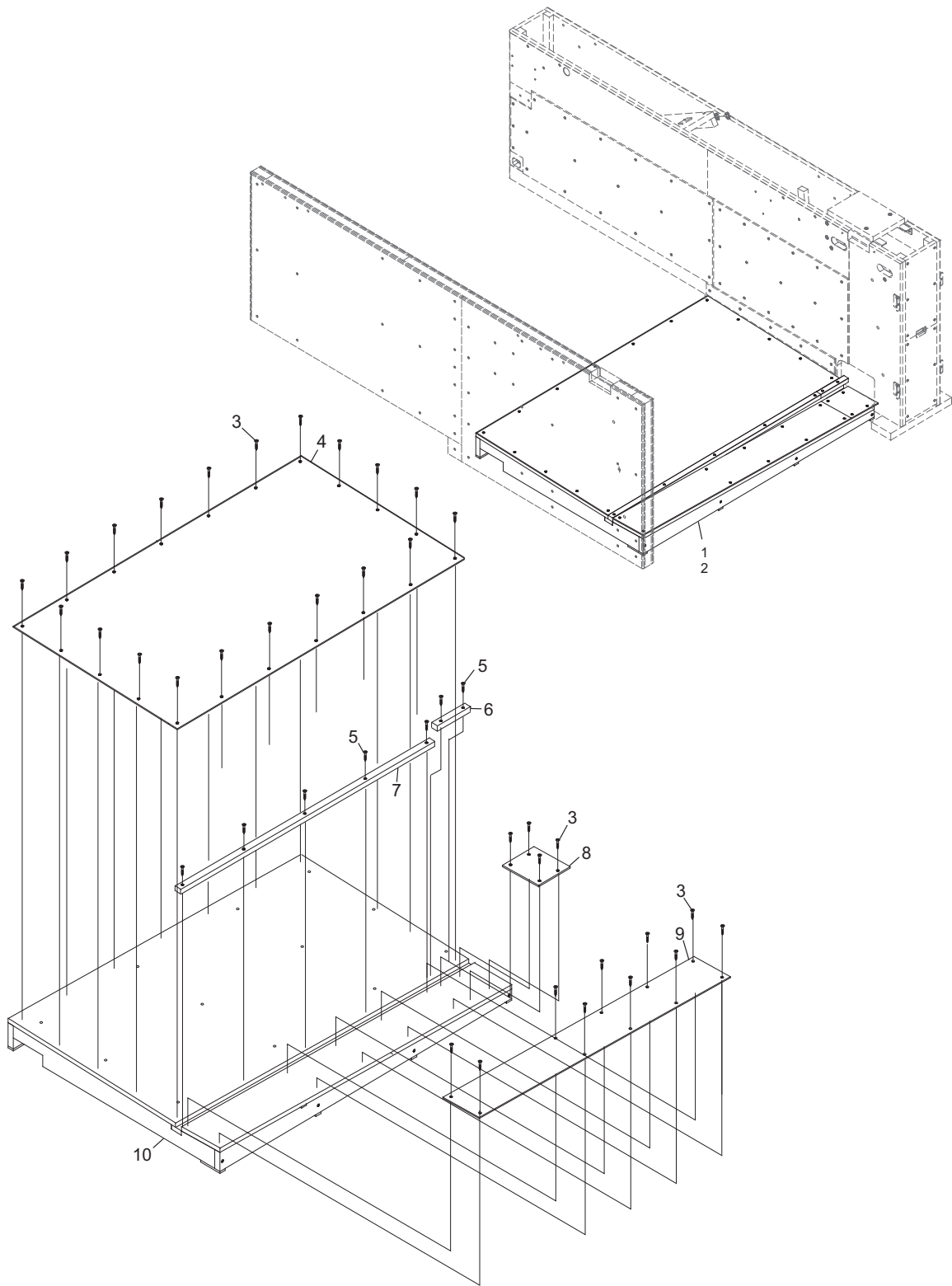
Ball Elevator - Duck Pin



Ball Elevator - Duck Pin

Index No.	Part No.	Package / Order Reference	Description
1.	55-278350-009		Long Pit Assembly Complete - LH (Not Shown)
2.	55-278351-009		Long Pit Assembly Complete - RH (Shown)
3.	11-051892-000		T-20 Torx Self Tap Counter Sink (M4.5 x 25)
4.	55-278353-000		Pit Protector Plate
5.	11-051896-001		Torx Wood Screw (M5 x 40 mm)
6.	55-278753-000		Pass Through Protector Strip
7.	44-278352-000		Protector Strip
8.	55-278355-000		Pass Through Plate
9.	55-278354-000		Protector Plate

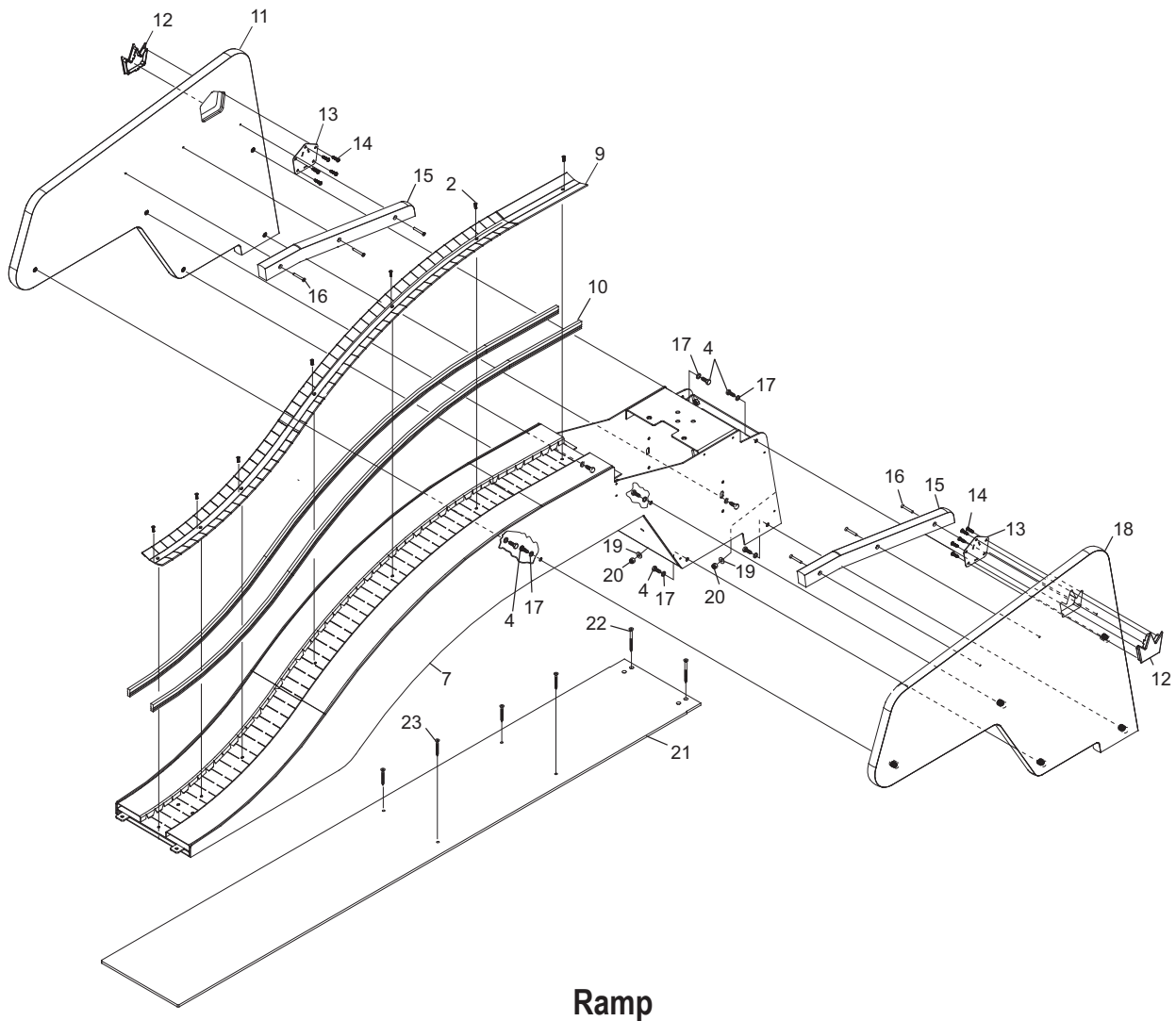
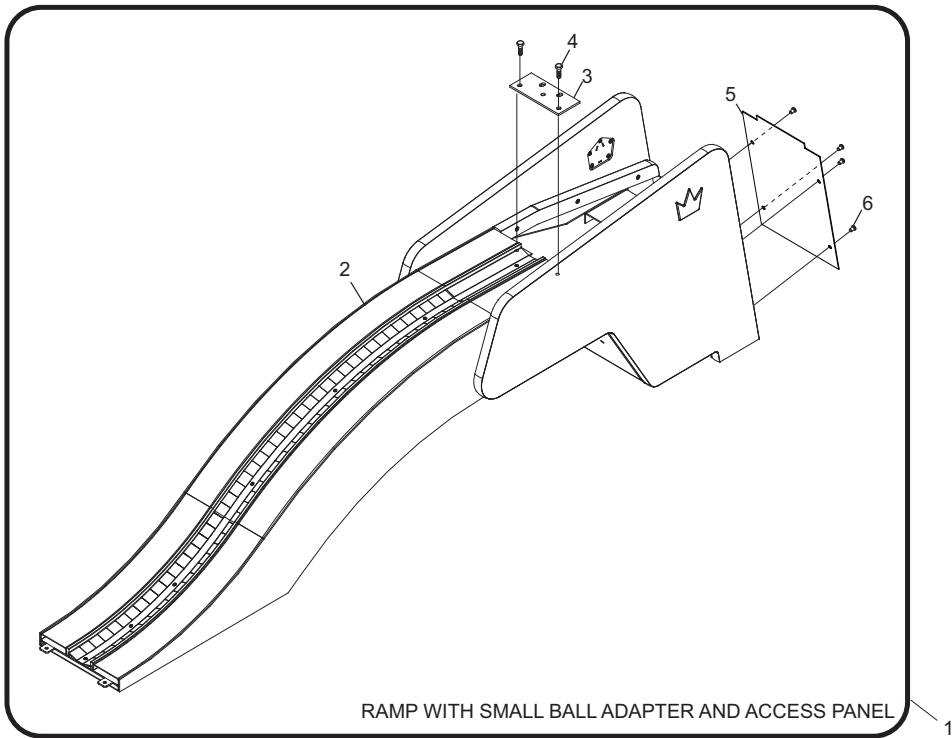
Pit Assembly DPS



Pit Assembly DPS

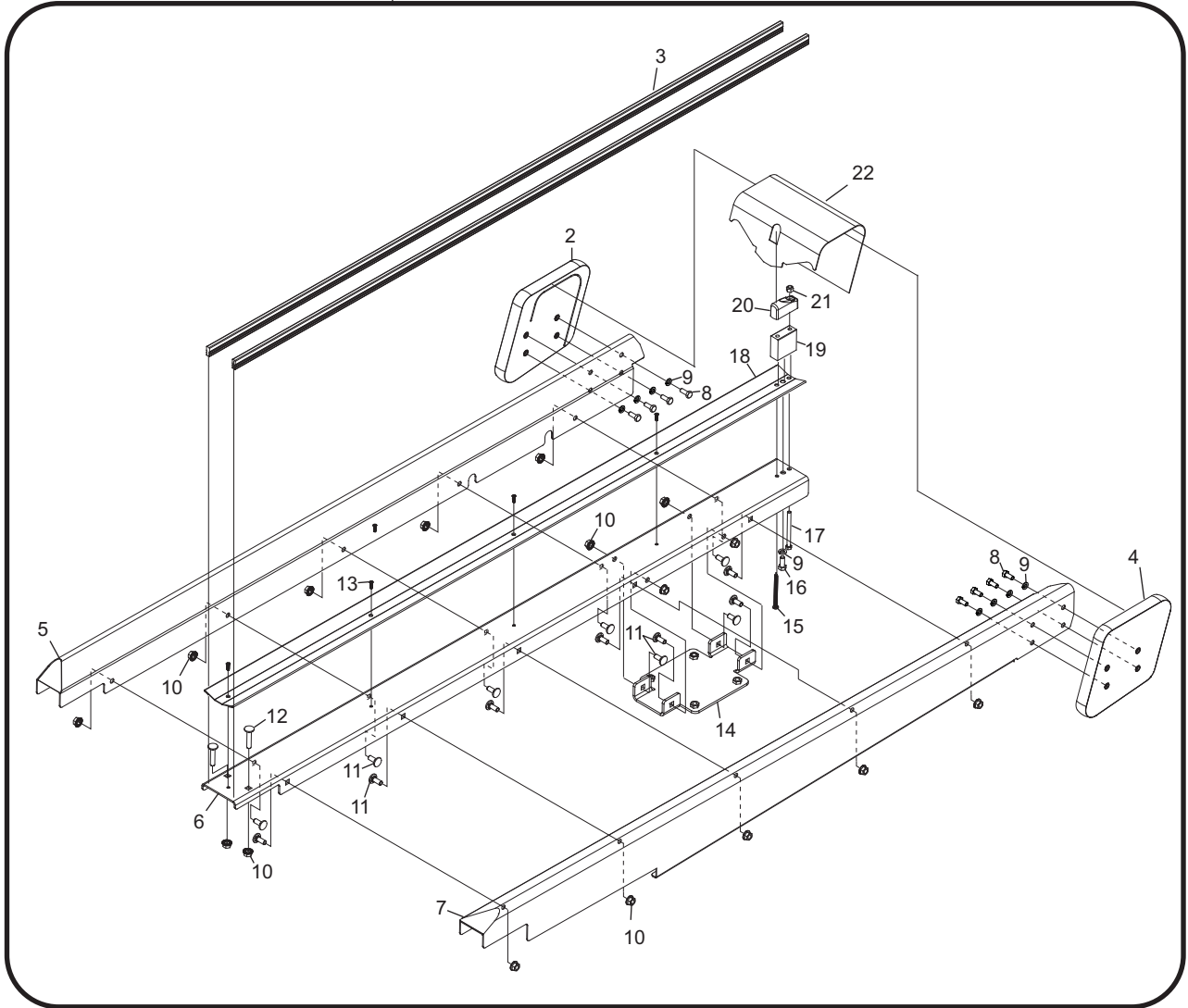
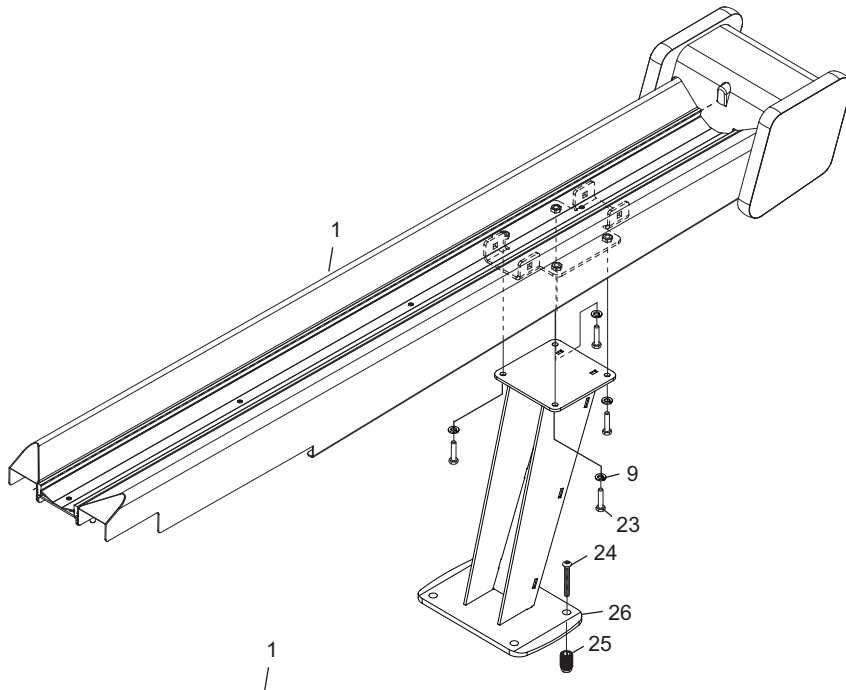
Index No.	Part No.	Package / Order Reference	Description
1.	53-400861-000		Ramp with
2.	53-400774-000		Ramp Surface Return - Assembly
3.	53-800881-000		Rack Adapter, Small Ball
4.	11-051066-001		Hex Head Cap Screw
5.	53-400880-000		Access Panel
6.	11-054814-009		Button Head Cap Screw (M8 x 16 mm)
7.	53-400782-000		Ramp Weldment Assembly
8.	11-052570-000		Flat Head Screw (M4 x 14 mm)
9.	53-400835-000		Curved Stainless Trim
10.	53-400837-001		Track Rubber
11.	53-400862-000		Decorative Side L.H.
12.	53-400720-100		Crown Hood Logo
13.	53-400806-000		Plate
14.	11-082688-021		Phillipps Pan Head Screw (#10 x 3/4")
15.	53-400895-000		Filler Strip
16.	11-081201-000		Robertson Screw (#10 x 1-1/2")
17.	11-051770-001		Lock Washer
18.	53-400863-000		Decorative Side L.H
19.	11-052021-001		Flat Washer
20.	11-051741-001		Locknut (M4)
21.	53-400836-000		Bottom Plate
22.	11-081204-000		Robertson Screw (#10 x 2-1/2)
23.	11-081201-000		Robertson Screw (#10 x 1-1/2)

Ramp



Index No.	Part No.	Package / Order Reference	Description
1.	53-400864-000		Rack Assembly Small Ball Surface Return
2.	53-400875-000		Panel - Outer, End, RH
3.	53-400837-003		Rubber Track
4.	53-400876-000		Panel - Outer, End, LH
5.	53-400867-000		Side Weldment, L.H.
6.	53-400865-000		Rack Frame
7.	53-400870-000		Side Weldment, R.H.
8.	11-051066-001		Hex Head Cap Screw (M8 x 18 mm)
9.	11-051770-001		Lock Washer (M8)
10.	11-055451-000		Serrated Flange Nut (M8)
11.	11-052651-001		Carriage Bolt (M8 x 20 mm)
12.	11-052652-001		Carriage Bolt (M8 x 40 mm)
13.	11-052570-000		Flat Head Screw (M4 x 14)
14.	53-400843-000		Leg Mount Plate
15.	11-082591-001		Pan Head C.R. Tapping Screw (12-14 x 3")
16.	11-051010-001		Hex Head Cap Screw (M8 x 20 mm)
17.	11-001196-001		Hex Head Cap Screw (1/4-20 x 3")
18.	53-400866-000		Surface Rack Pan
19.	53-400858-000		Bumper Spacer
20.	53-400010-000		Ball Bumper
21.	11-170007-001		Locknut (1/4-20)
22.	53-400873-000		End Cover
23.	11-051044-001		Hex Head Cap Screw (M8 x 30 mm)
24.	53-400503-020		Button Head Cap Screw (3/8-16 x 2.25")
25.	11-095011-000		Wood Insert
26.	53-400877-000		Leg

Rack



Rack

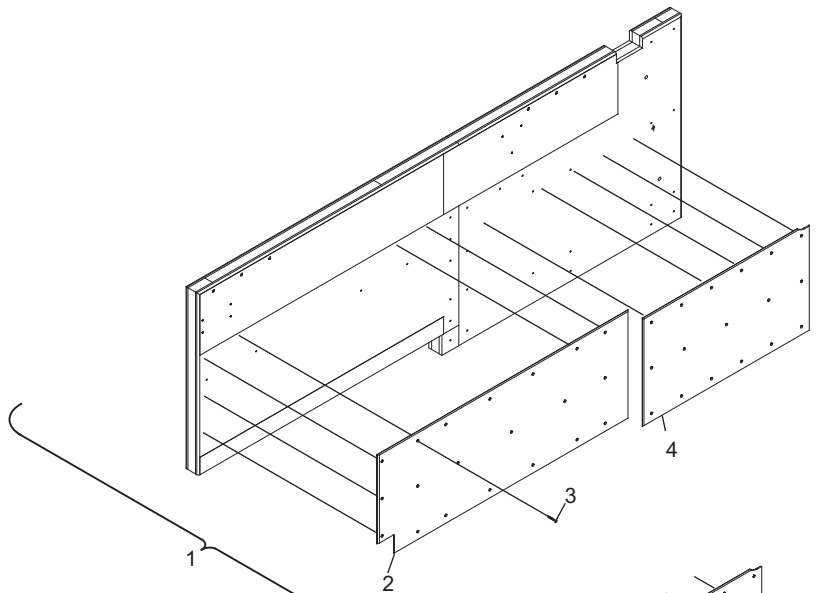
Intentionally Blank Page

Section B

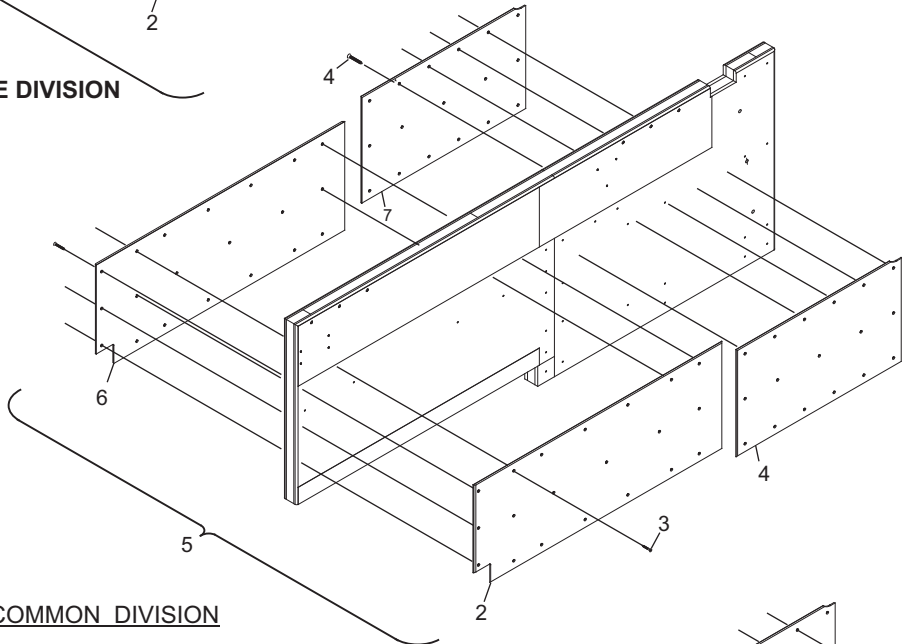
Kickbacks

Index No.	Part No.	Package / Order Reference	Description
1.	55-278669-009		Division Kickback Complete - Outside Left Lane
2.	55-278253-000		Protector Plate (L.H. Long)
3.	11-051892-000		Torx - Counter Sink Wood Screw (M4.5 x 25 mm)
4.	55-278303-000		Protector Plate (Left Hand - Short)
5.	55-278668-009		Division Kickback - Complete Common (Inside)
6.	55-287254-000		Protector Plate (R.H Long)
7.	55-278303-000		Protecto Plate (L.H. Short)
8.	55-278670-009		Division Kickback Complete - Outside Right Lane

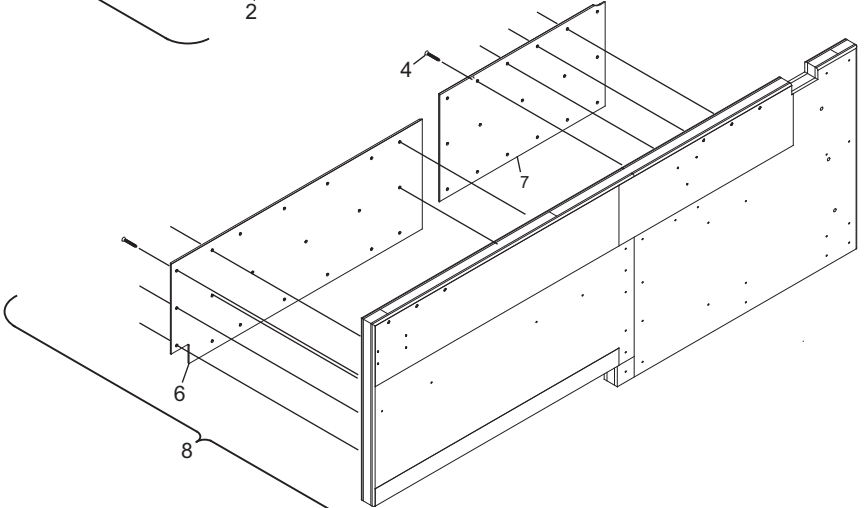
Division Kick Backs DPS



LEFT LANE OUTSIDE DIVISION



COMMON DIVISION

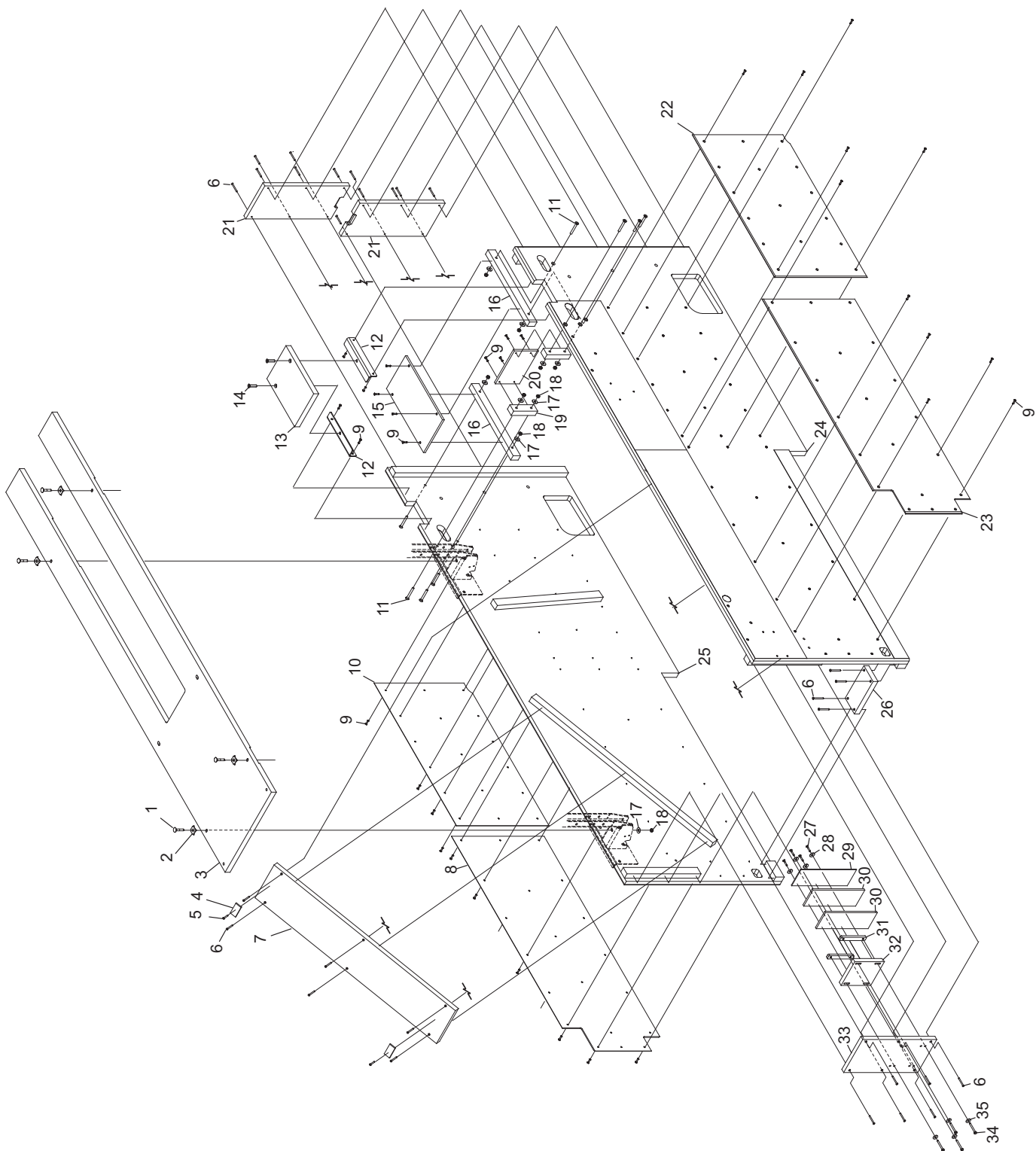


RIGHT HAND OUTSIDE DIVISION

Division Kick Backs DPS

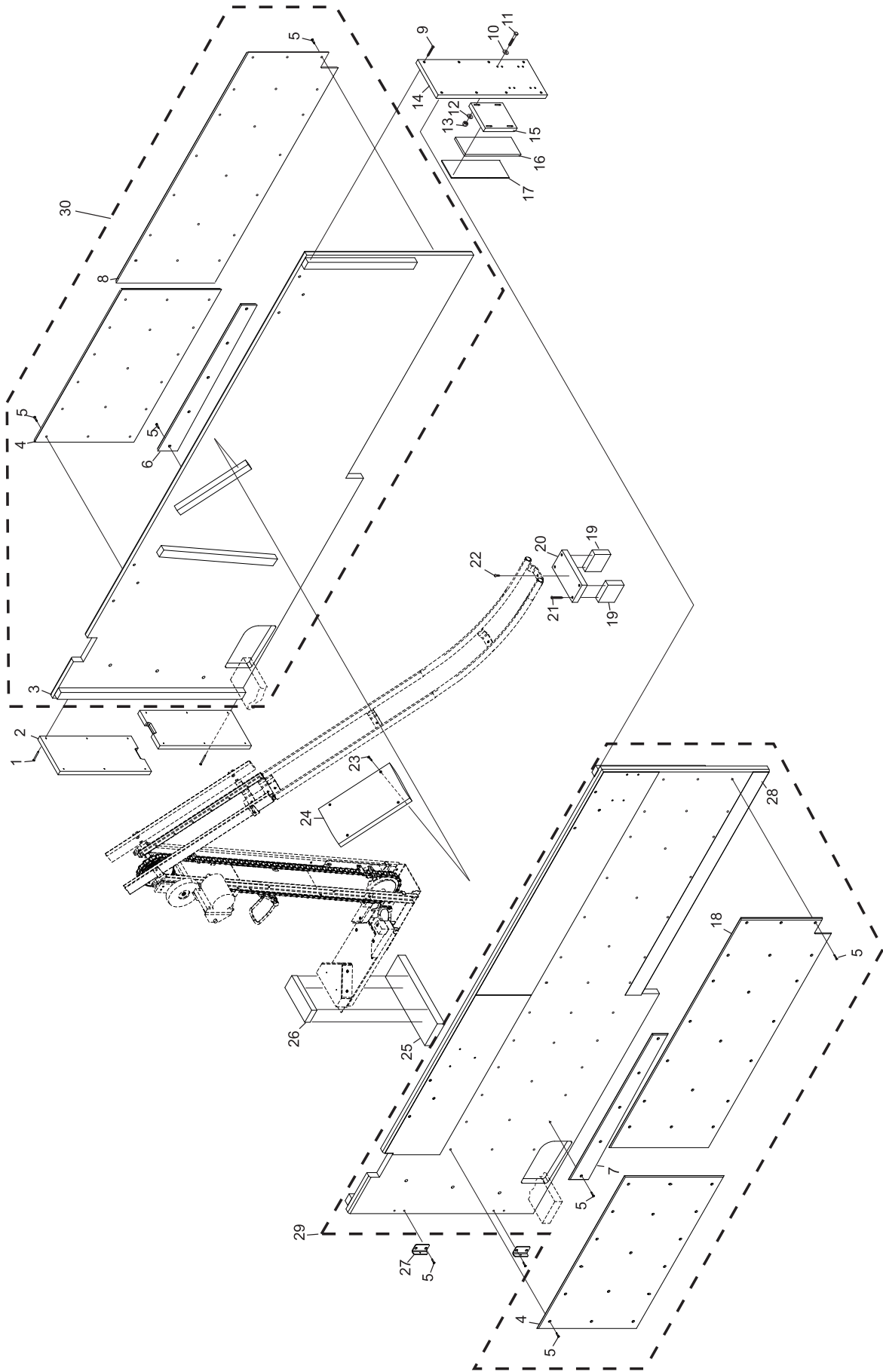
Index No.	Part No.	Package / Order Reference	Description
1.	11-052603-001		Carriage Bolt (M8 x 45 mm)
2.	55-278137-004		Square Washer (M8)
3.	55-278691-000		Walkway Top Cover
4.	55-108696-000		Vibration Dampener
5.	11-081201-000		Wood Screw (10 x 1-1/2" Flat Head Robertson)
6.	11-081208-001		Screw
7.	55-278697-000		Upper Track Holder
8.	55-278834-000		Protector Plate LH Long
9.	11-051892-000		Torx - Counter Sink Wood Screw (M4.5 x 25 mm)
10.	55-278838-000		Protector Plate LH Short
11.	11-052955-001		Screw Socket Flat Head
12.	55-278692-000		Upper Short Pit Plate
13.	55-278693-000		Rear "L" Bracket
14.	11-052952-001		Screw Socket Flat Head Screw
15.	55-278731-000		Cable Holder Plate
16.	55-278729-000		Long Support Plate For Cable Holder Plate
17.	11-052019-001		(M10) Flat Washer
18.	11-051744-001		(M8) Locknut
19.	55-278730-000		Short Support Plate For Cable Holder
20.	55-278732-000		Cable Holder Plate II
21.	55-278316-000		Rear Cover
22.	55-278835-000		Protector Plate RH Short
23.	55-278833-000		Protector Plate RH Long
24.	55-278672-009		Ball Return Kickback RH
25.	55-278671-009		Ball Return Kickback LH
26.	55-278702-000		Lower Track Holder
27.	11-051892-000		Torx - Counter Sink Wood Screw (M4.5 x ? mm)
28.	11-052010-001		Flat Washer (M10)
29.	55-278337-000		Brake Carpet
30.	55-278336-000		Rubber
31.	xx-xxxxxx-xxx		?
32.	55-278365-000		Setting Plate
33.	55-278698-000		Front Cover
34.	11-051023-001		Hex Head Cap Screw (M6 x 55 mm)
35.	11-052067-001		Flat Washer (M10)

Ball Return Kick Backs DPS



Ball Return Kick Backs DPS

Index No.	Part No.	Package / Order Reference	Description
1.	11-081208-000		
2.	55-278316-000		Rear Cover
3.	55-278302-c01		Kickback Center Plate
4.	55-278303-000		Protector Plate
5.	11-051892-000		Screw - Wood Torx Head Self Counter Sink (M4.5x25)
6.			
7.			
8.	55-278253-000		Protector Plate LH. (long)
9.	11-081208-000		
10.	11-052067-001		Flat Washer (M6)
11.	11-051023-001		Screw Hex Head Cap (M6 x 55)
12.	55-278301-c01		Kickback Center Plate
13.	11-051743-001		Locknut (M6)
14.	55-278315-000		Front Cover
15.	55-278335-000		
16.	55-278336-000		
17.	55-278337-000		
18.			
19.	55-278301-c09		Support Slat
20.	55-278311-000		Holder Plate
21.			
22.	55-278312-000		
23.			Screw
24.	55-278312-000		Holder Plate Support
25.	55-deszka-000		Ball Lift Support
26.	55-deszka-001		Ball Lift Cleat
27.	55-278329-000		"L" Bracket
28.	55-278301-009		Assembly - Kickback L.H.
29.	55-278302-009		Assembly - Kickback R.H.

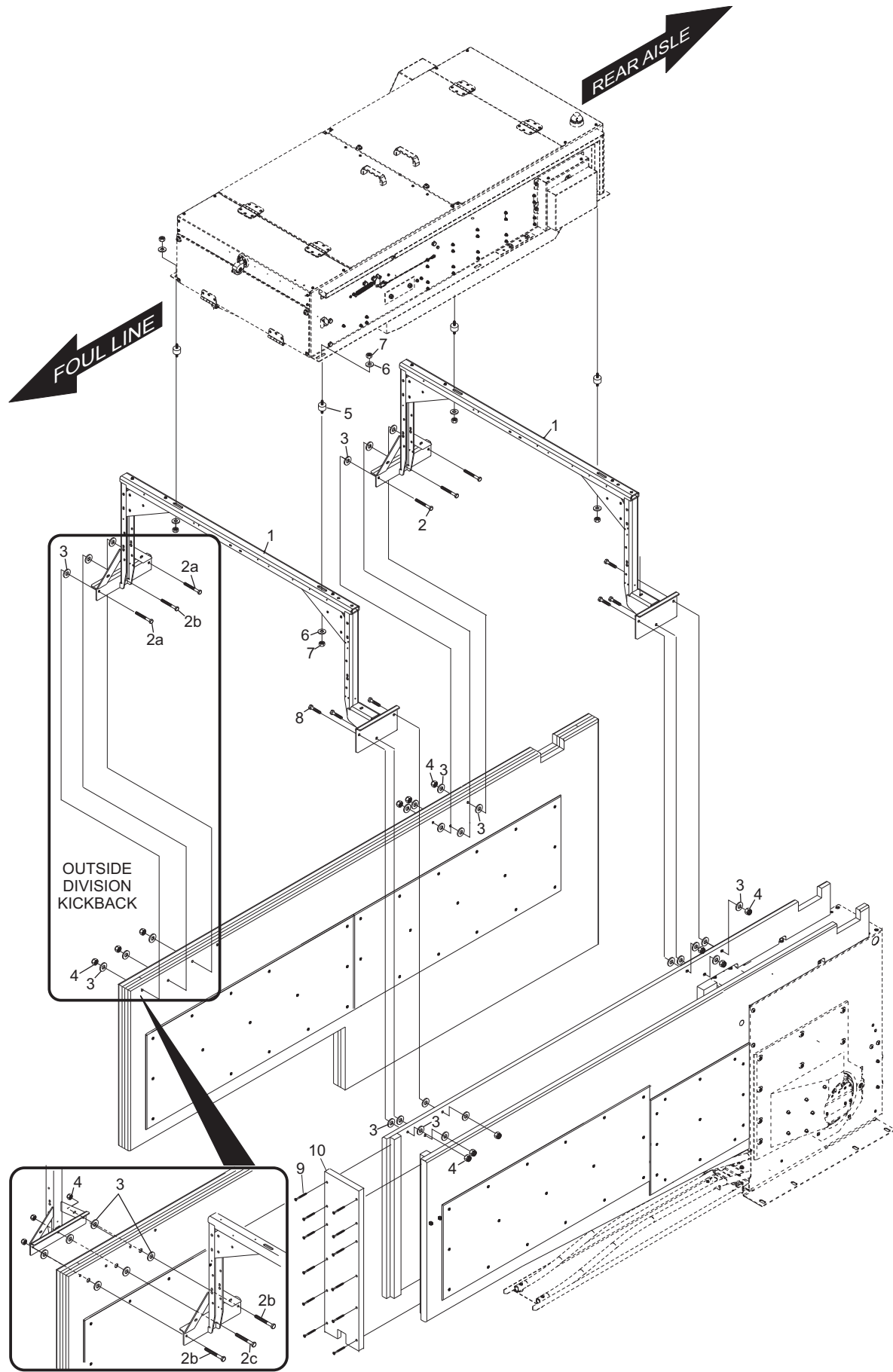


Intentionally Blank Page

Section C

Frame

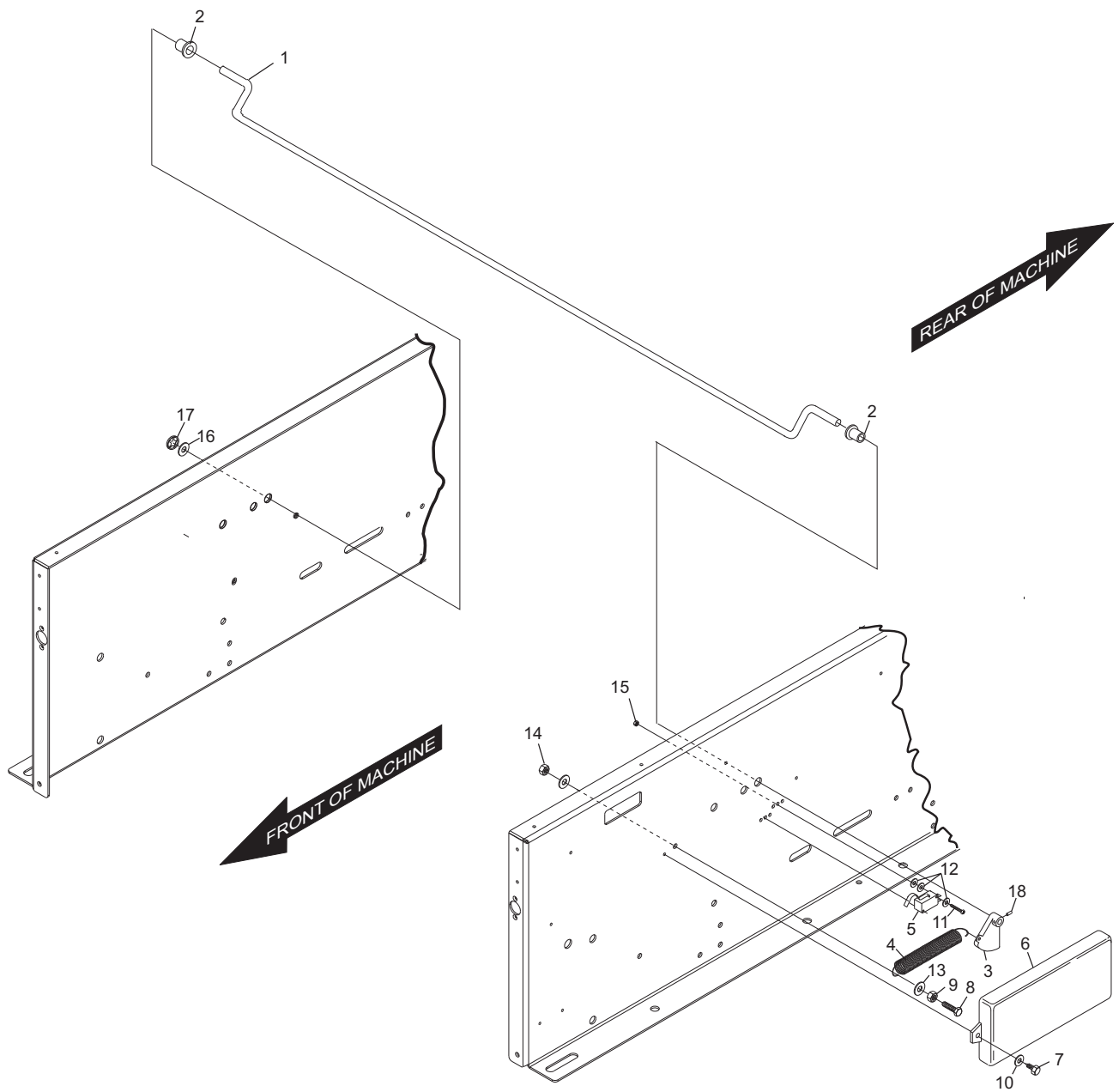
Index No.	Part No.	Package / Order Reference	Description
1.	55-278117-001		Machine Support Frame
2a.	11-051017-001		Hex Head Cap Screw (M8 x 90 mm)
2b.	11-051081-001		Hex Head Cap Screw (M8 x 100 mm)
2c.	11-051107-001		Hex Head Cap Screw (M8 x 110 mm)
3.	11-052016-001		Optional Flat Washers (8 mm x 30 mm x 2 mm)
4.	11-051744-001		Hex Locknut (M8)
5.	55-278022-000		Rubber Bumper Mount
6.	11-052050-001		Flat Washer (10.5 mm x 30 mm x 2.5 mm)
7.	11-051745-001		Hex Locknut (M10)
8.	11-051011-001		Hex Head Cap Screw (M8 x 50 mm)
9.	11-051893-000		T-25 Torx Screws S.C.S.H.W.S. (M5 x 60 mm)
10.	55-278147-000		Front Cover (Black)



Frame Assembly

Index No.	Part No.	Package / Order Reference	Description
1.	55-050638-004		Pivot Rod
2.	47-075435-004		Nylon Bushing
3.	55-050613-004		Clutch Jam Cam
4.	55-050636-004		Clutch Spring
5.	55-143049-000		Jam Switch
6.	55-058210-000		Clutch Cover (Black)
7.	11-051069-001		Screw Hex Cap (M5 x 12 mm)
8.	11-051028-000		Hex Hd. Cap Screw (M6 x 25 mm)
9.	11-051702-001		Hex Nut (M6)
10.	11-052020-001		Flat Washer (5.3 mm x 12 mm x 1 mm)
11.	11-052214-001		Machine Screw (M3 x 20 mm)
12.	11-052058-000		Flat Washer (3.2 mm x 9 mm x .8 mm)
13.	11-052008-001		Flat Washer (6.4 mm x 12 mm x 1.6 mm)
14.	11-051743-001		Self Locking Hex Nut (M6)
15.	11-051746-001		Self Locking Hex Nut (M3)
16.	11-052003-001		Flat Washer (8.4 mm x 16 mm x 1.6 mm)
17.	11-053478-001	47-861050-000	Speed Nut (Quick Lock #17), Pkg Qty - 10
18.	11-052681-001		Spring Pin (3 mm x 16 mm)

Clutch Jam (Tangle) Mechanism

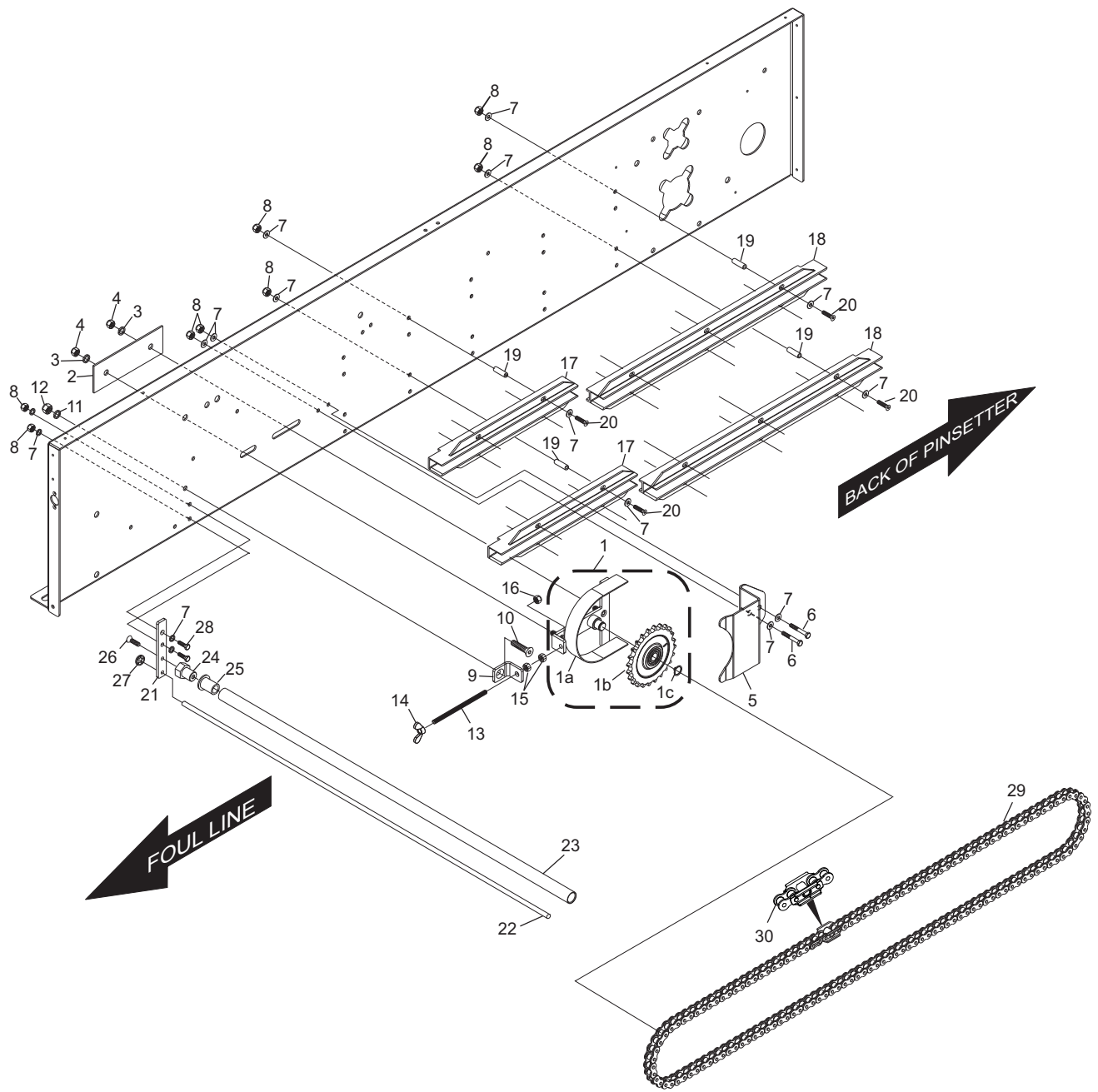


Clutch Jam (Tangle) Mechanism

Index No.	Part No.	Package / Order Reference	Description
1.	55-068211-009		Drive Chain Guard Assembly
	1a. 55-068010-000		Drive Chain Guard
	1b. 55-060208-003		Sprocket
	1c. 11-051852-000		Retaining Ring - External (17 mm)
2.	55-060207-003		Tension Bracket
3.	11-051771-001		Lockwasher (M10)
4.	11-051745-001		Hex Lock Nut (M10)
5.	55-068011-000		Drive Chain Guard (Cover)
6.	11-051035-001		Hex Hd. Cap Screw (M6 x 16 mm)
7.	11-052008-001		Flat Washer (6.4 mm x 12 mm x 1.6mm)
8.	11-051743-001		Hex Lock Nut (M6)
9.	55-068133-004		Support Plate (Bracket) for Drive Chain Guard
10.	11-052927-001		Flat Sink Hd. Socket Screw (M8 x 20 mm)
11.	11-052003-001		Flat Washer (8.4 mm x 16 mm x 1.6 mm)
12.	11-051744-001		Hex Lock Nut (M8)
13.	55-068132-004		Threaded Rod (M8 x 155 mm)
14.	11-149045-001		Wing Nut (M8)
15.	11-051704-001		Hex Nut (M8)
16.	11-051744-001		Hex Lock Nut (M8)
17.	55-068149-000	*55-068149-009	Short Chain Guide
18.	55-068148-000	*55-068148-009	Long Chain Guide
19.	55-068027-000	N/A	Spacer
20.	11-051574-001	N/A	Socket Head Cap Screw (M6 x 45 mm)
	11-051035-001		Hex Hd. Cap Screw (M6 x 16 mm)
21.	55-018015-000		Base Plate - Guide Bracket Support
22.	55-018136-002		Rod - For Guide Bracket
23.	55-018135-002		Guide Rod
24.	55-018016-000		Shoulder Stud
25.	47-034842-004		Plastic Bushing
26.	11-052936-001		Flat Sink Head Socket Screw (M6 x 16 mm)
27.	11-053478-001	47-861050-000	Speed Nut (Quicklock M8), Pkg Qty - 10
28.	11-051018-001		Hex Head. Cap Screw (M6 x 20 mm)
29.	55-060240-009		Chain Assembly
30.	55-060212-009		Special Link Assembly

* Guide Assemblies - Includes Index Numbers 7, 8, and 20. Index Number 19, Spacers, are now incorporated into the guides and are no longer a separate part.

Chain Drive Assembly

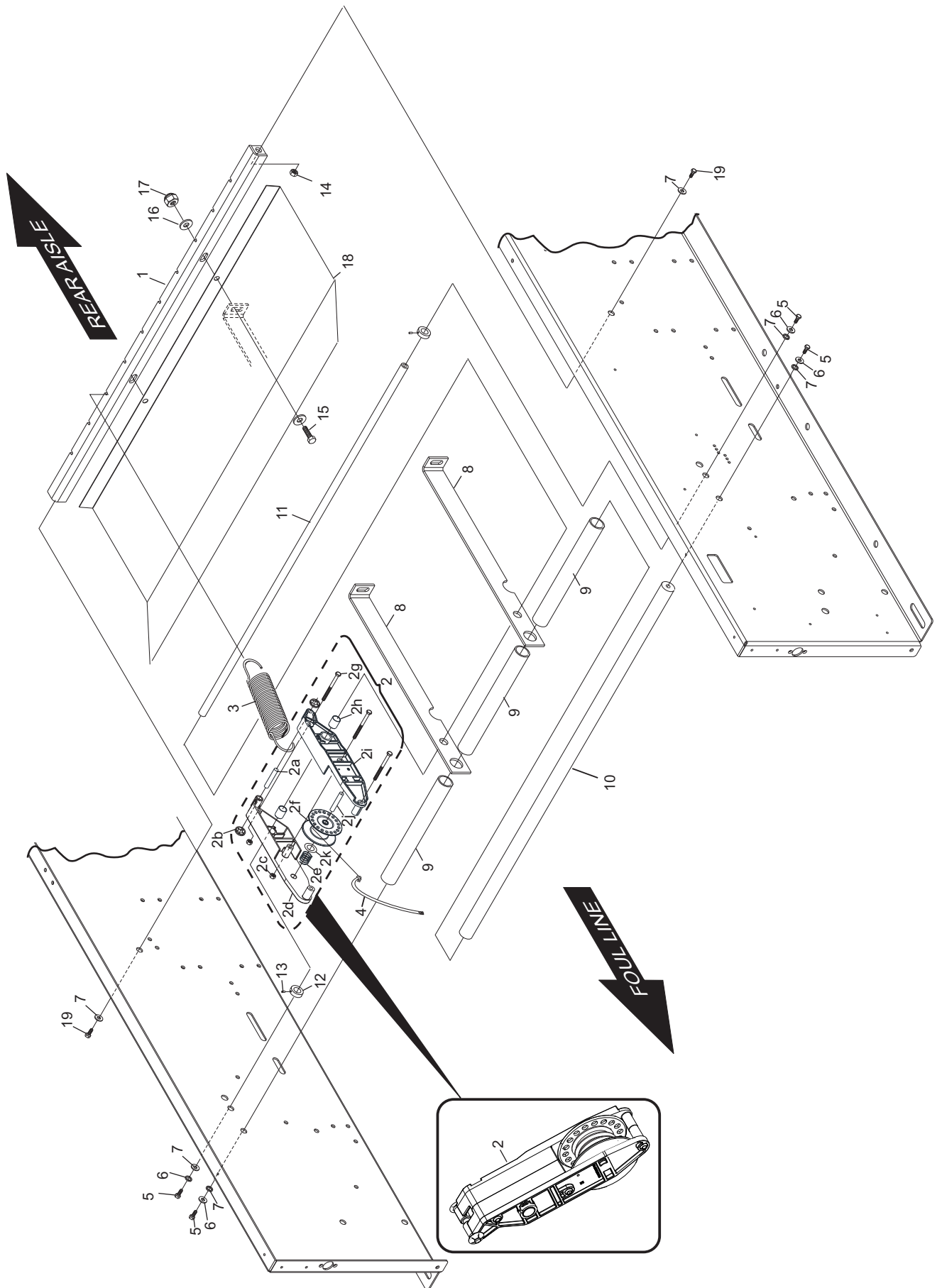


Chain Drive Assembly

Index No.	Part No.	Package / Order Reference	Description
1.	55-050658-003		"L" Profile for Spring Support
2.	55-050620-009		String Lever Reel Assembly
2a.	55-050639-004		Spring Hook
2b.	11-053478-001	47-861050-000	Speed Nut (Quicklock M8), Pkg Qty - 10
2c.	11-051743-001		Hex Lock Nut (M6)
2d.	55-050621-003		Reel Support Bracket (left-hand)
2e.	55-050634-004		Spring For Lever Reel
2f.	55-050633-003		Reel
2g.	11-051083-001		Screw (M6 x 60 mm)
2h.	55-078026-000		Bearing
2i.	55-050622-003		Reel Support Bracket (right-hand)
2j.	55-050637-004		Reel Shaft
2k.	11-052027-001		Flat Washer (17 mm x 30 mm x 3 mm)
3.	55-050712-004		Tension Spring
4.	75-110012-001	*75-110012-009	String (5 m) - black
5.	11-051005-001		Hex Head Cap Screw (M10 x 20 mm)
6.	11-051771-001		Lockwasher (M10 x 18 mm x 2.2 mm)
7.	11-052018-001		Flat Washer (M10 x 20 mm x 2 mm)
8.	55-050607-003		Support Arm
9.	55-050994-004		Rod Support Cover
10.	55-050375-004		Reel Support Rod
11.	55-058047-000		String Lever Shaft
12.	11-053616-001		Stop Collar
13.	11-053104-000	47-861023-001	Set Screw (M6 x 6 mm), Pkg Qty - 20)
14.	11-051745-001		Hex Lock Nut (M10)
15.	11-051015-001		Hex Head Cap Screw (M8 x 25 mm)
16.	11-052003-001		Flat Washer (M8 x 16 mm x 1.6 mm)
17.	11-051744-001		Hex Lock Nut (M8)
18.	55-010232-003		Pan
19.	11-051019-001		Hex Head Cap Screw (M10 x 25 mm)

* 50 Meter Roll of String

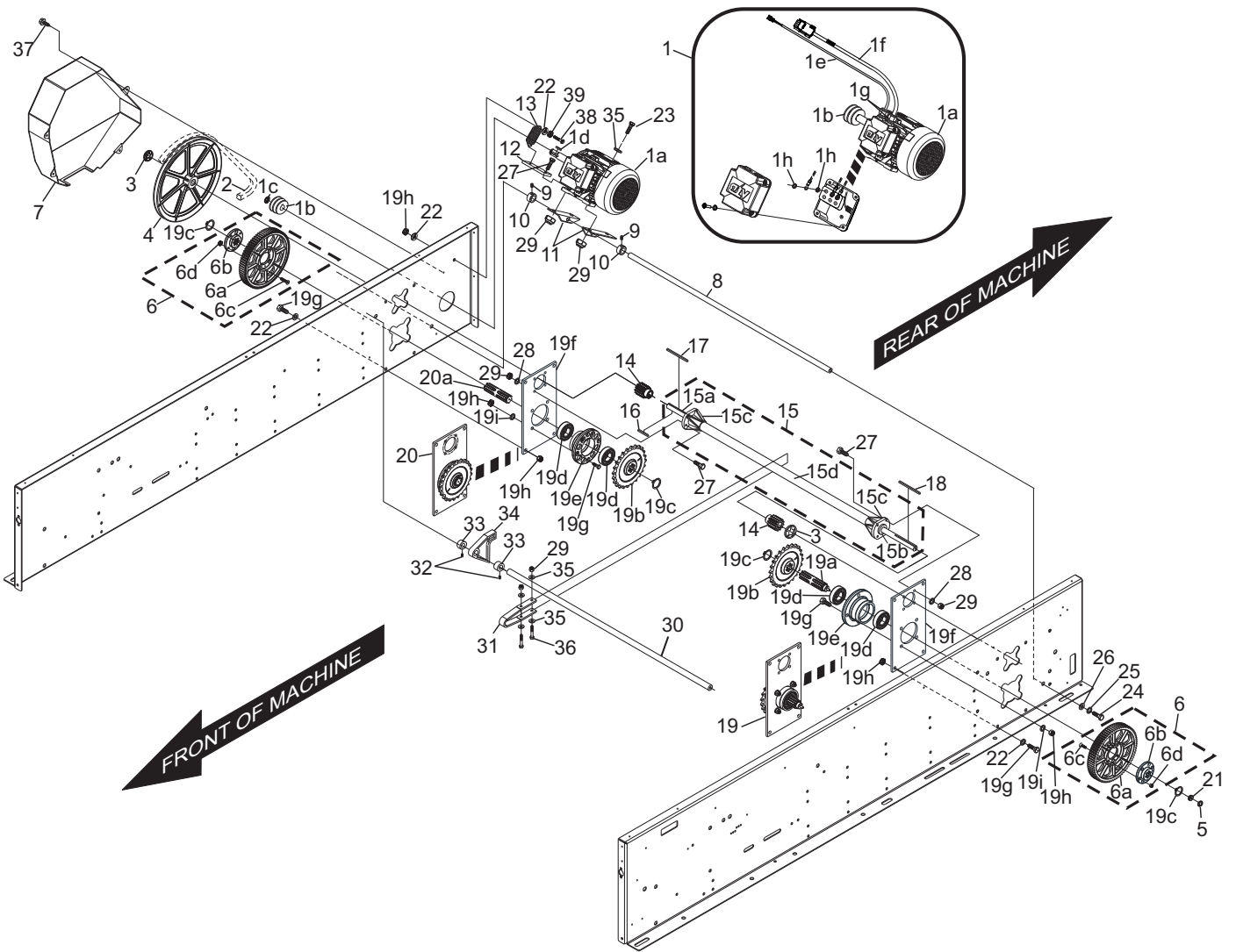
String Lever Assembly



String Lever Assembly

Index No.	Part No.	Package / Order Reference	Description
1.	55-078040-009		Motor - Complete with Pulley and Cables (380V)
	55-078039-009		Motor - Complete with Pulley and Cables (208V)
1a.	55-078036-000		Motor (380V)
1a.	55-078035-000		Motor (208V)
1b.	55-010183-004		Motor Pulley
1c.	11-051852-000		Retaining Ring - External (17 mm)
1d.	11-053505-000		Metric Key (5 mm x 5 mm x 30 mm)
1e.	55-143018-000		Assembly - Cable, Motor Overload
1g.	11-055081-000		Cable Strain Relief (M20 x 1.5 mm)
1f.	55-143011-000		Assembly- Motor Cable
1h.	99-040444-004		Washer, For Terminals (4.3 mm x 8 mm x 0.5 mm)
2.	11-053914-000		V-Belt
3.	11-053484-001		Speed Nut (17 mm)
4.	99-070162-002		Drive Pulley
5.	11-053481-000		Speed Nut (5 mm)
6.	55-020402-009		Drive Gear Assembly
6a.	55-020402-003		Drive Gear
6b.	55-020402-004		Hub
6c.	11-052936-001		Screw - Socket Flat Head Countersunk (M)
6d.	11-051743-001		Hex Nut (M6)
7.	55-018209-000		Drive Cover
8.	55-050652-004		Motor Support Rod
9.	11-053104-001	47-861023-001	Set Screw (M6 x 6 mm) (Qty. 20)
10.	11-053616-001		Stop Ring (Collar)
11.	55-010184-004		Motor Mount Bracket
12.	55-010182-004		Motor Tension Strap
13.	99-020163-004		Motor Tension Spring
14.	55-020308-004		Spur Gear
15.	55-020316-009		Drive Shaft Assembly
15a.	55-020414-003		Drive Shaft
15b.	11-430029-000		Bearing
15c.	55-020392-004		Drive Shaft Bearing Retainer
15d.	55-020415-003		Drive Shaft Protective Tube
16.	11-053505-000		Key (5 x 5 x 30 mm)
17.	11-053513-000		Key (5 x 5 x 70 mm)
18.	11-053504-000		Key (5 x 5 x 45 mm)
19.	55-020320-009		Pinion Gear Support Assembly (Right Hand)
19a.	55-020401-004		Pinion Gear (Right Hand)
19b.	55-020405-003		Chain Wheel (Sprocket)
19c.	11-051856-000	11-051856-001	Retaining Ring - External (25 mm, 23.2 mm ID, 34.2 OD)
19d.	11-430051-000		Bearing
19e.	55-020393-003		Bearing Retainer
19f.	55-020395-003		Bearing Bracket
19g.	11-051015-001		Hex Hd. Cap Screw (M8 x 25 mm)
19h.	11-051744-001		Locknut (M8)
19i.	11-051770-001		Lock Washer (M8 x 14.8 mm x 2 mm)
20.	55-020321-009		Pinion Gear Support Assembly (Left Hand)
20a.	55-020400-002		Pinion Gear (Left Hand)
21.	55-020485-004		Gear - Switch Cluster (16 tooth)
22.	11-052003-001		Flat Washer
23.	11-051018-001		Hex Hd. Cap Screw (M6 x 20 mm)
24.	11-051005-001		Hex Hd. Cap Screw (M10 x 20 mm)
25.	11-051771-001		Lock Washer (M10)
26.	11-052018-001		Flat Washer (M10)
27.	11-051028-001		Hex Hd. Cap Screw (M6 x 25 mm)
28.	11-051769-001		Lock Washer (M6)
29.	11-051743-001		Locknut (M6)
30.	55-060237-004		Cross Shaft
31.	55-018020-000		Clamp
32.	11-053101-001		Set Screw (M6 x 8 mm)
33.	11-053619-001		Stop Ring (Collar)
34.	55-068032-009		Locking Cam (Stop Dog)
35.	11-052008-001		Flat Washer (M6)
36.	11-051023-001		Hex Hd. Cap Screw (M6 x 55 mm)
37.	11-051069-001		Hex Hd. Cap Screw (M5 x 12 mm)
38.	11-051079-001		Hex Hd. Cap Screw (M8 x 50 mm)
39.	11-051704-001		Hex Nut (M8)

Frame - Drive Assembly



Frame - Drive Assembly

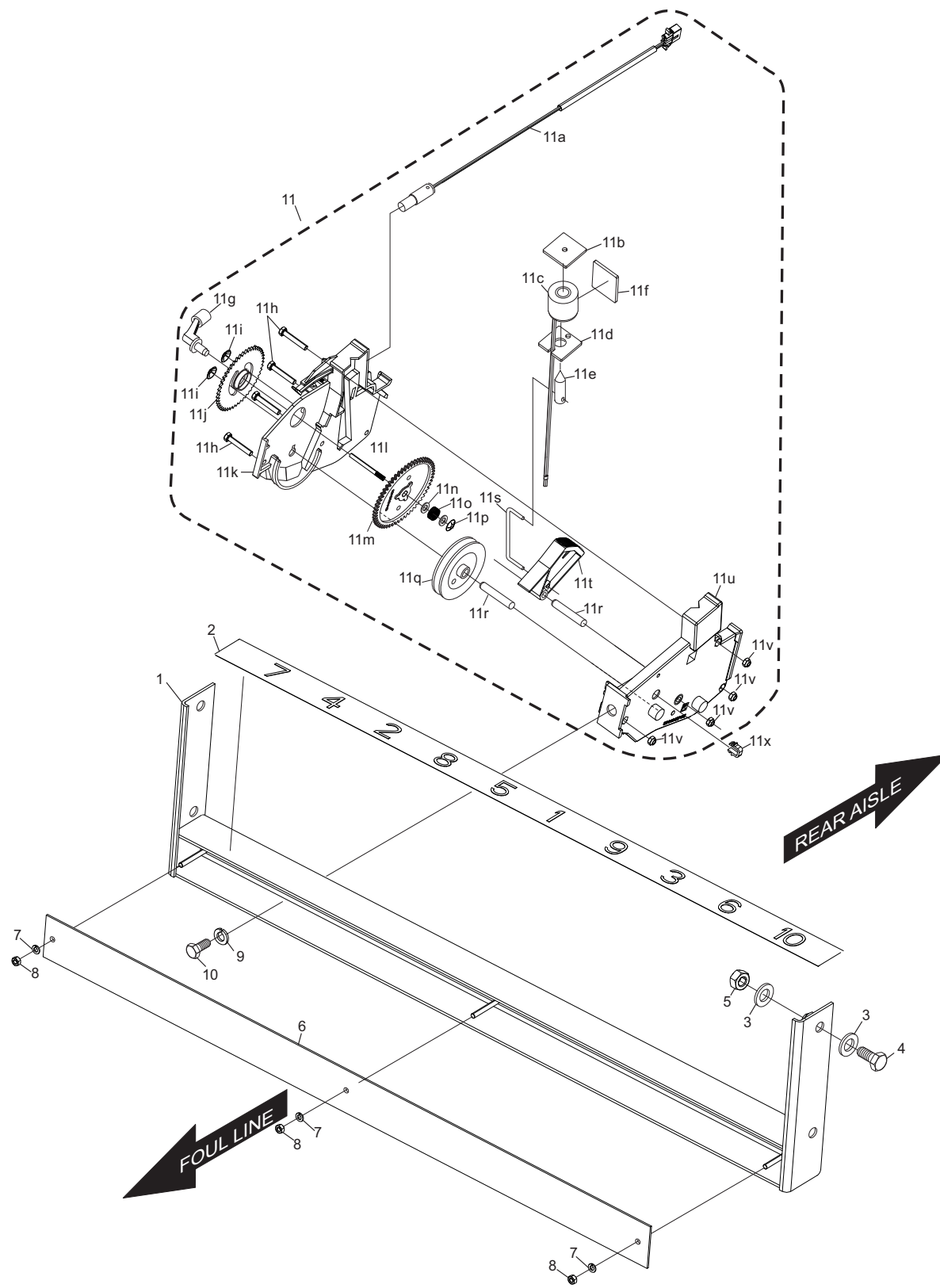
Intentionally Blank Page

Section D

Pin System

Index No.	Part No.	Package / Order Reference	Description
1.	55-040422-002		Control Holder For Pin Motion Interfaces
2.	55-268152-003		Label - "Numbering"
3.	11-052018-001		Flat Washer (M10)
4.	11-051019-001		Screw Hex. Cap. (M10 x 25 mm)
5.	11-051745-001		Hex Locknut (M10)
6.	55-040554-003		Control Holder Cover
7.	11-051768-001		Lock Washer (M5)
8.	11-051701-001		Hex Nut (M5)
9.	11-051772-001		Lock Washer (M12)
10.	11-051062-001		Screw Hex. Cap (M12 x 25 mm)
11.	55-040426-009		Pin Motion Interface Assembly
	11a. 55-143048-000		Assembly - Pin Motion Interface Reed Switch
	11b. 55-040443-004		Solenoid Bracket
	11c. 55-040478-004		Solenoid
	11d. 55-040440-004		Plunger Bracket
	11e. 55-040437-004		Plunger
	11f. 55-040439-004		Solenoid Bracket
	11g. 55-040434-004		Switch Activator
	11h. 11-051002-001		Screw Hex. Cap. (M5 x 30 mm)
	11i. 11-053481-001		Speed Nut (Quick Lock)
	11j. 55-040433-004		String Adjustment Gear
	11k. 55-040428-001		Outside P. M. Interface Housing
	11l. 55-048013-000		Pin
	11m. 55-040432-004		Switch Gear
	11n. 11-054113-000		Shim Washer
	11o. 99-020164-004		Compression Spring
	11p. 11-053477-001		Speed Nut (Quick Lock)
	11q. 55-040430-004		String Pulley
	11r. 11-054004-001		Roll Pin
	11s. 55-040436-004		Solenoid Link
	11t. 55-040431-004		String Holder Cam
	11u. 55-040427-001		P.M.I. Housing Right Hand
	11v. 11-051742-001		Hex Locknut (M5)
	11x. 99-050166-004		Cable Holder
12.	75-110012-009		String,black - 50 Meter Roll (Not Shown)

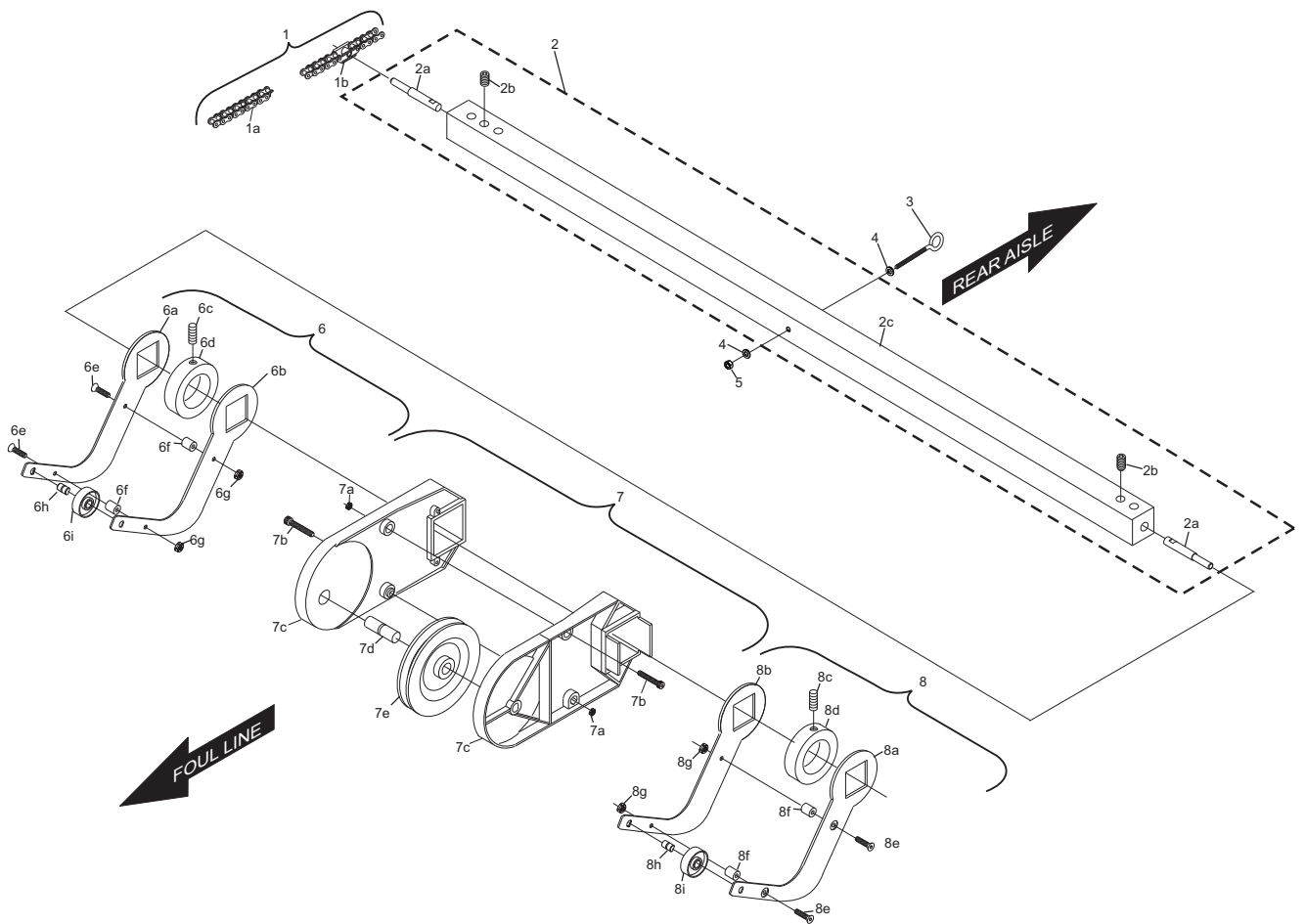
Pin Motion Interface (PMI)



Pin Motion Interface (PMI)

Index No.	Part No.	Package / Order Reference	Description
1.	55-060240-009		Chain Assembly Complete
	1a. 55-060714-004		Roller Chain
	1b. 55-060212-003		Special Link
2.	55-030201-009		Pull Shaft Assembly
	2a. 55-030193-004		Pin
	2b. 11-053101-001		Socket Set Screw (M6 x 8 mm)
	2c. 55-030235-003		Pull Shaft
3.	10-050010-001		Eye Bolt (M6 x 40 mm)
4.	11-052037-001		Flat Washer (M10)
5.	11-051743-001		Hex Locknut (M6)
6.	55-030205-009		Lever Assembly (Left Hand)
	6a. 55-030709-003		Lever (Left Hand)
	6b. 55-030197-003		Common Lever
	6c. 11-053105-001		Socket Set Screw (M6 x 16 mm)
	6d. 55-030195-004		Stop Collar
	6e. 11-052934-001		Socket Screw - Countersunk Flat Head
	6f. 47-051633-004		Spacer Bushing
	6g. 11-051743-001		Hex Locknut (M6)
	6h. 55-030199-004		Roller Axel
	6i. 55-030200-009		Roller
7.	55-030202-009		Return Lever Housing Assembly
	7a. 11-051742-001		Hex Locknut (M5)
	7b. 11-051542-001		Socket Head Cap Screw (M5 x 25 mm)
	7c. 55-030196-003		Return Lever Housing
	7d. 55-030404-004		String Pulley Axel
	7e. 55-030408-009		String Idler Pulley
8.	55-030204-009		Lever Assembly (Right Hand)
	8a. 55-030708-003		Lever (Right Hand)
	8b. 55-030197-003		Common Lever
	8c. 11-053105-001		Socket Set Screw (M6 x 16 mm)
	8d. 55-030195-004		Stop Collar
	8e. 11-052934-001		Socket Screw - Countersunk Flat Head
	8f. 47-051633-004		Spacer Bushing
	8g. 11-051743-001		Hex Locknut (M6)
	8h. 55-030199-004		Roller Axel
	8i. 55-030200-009		Roller

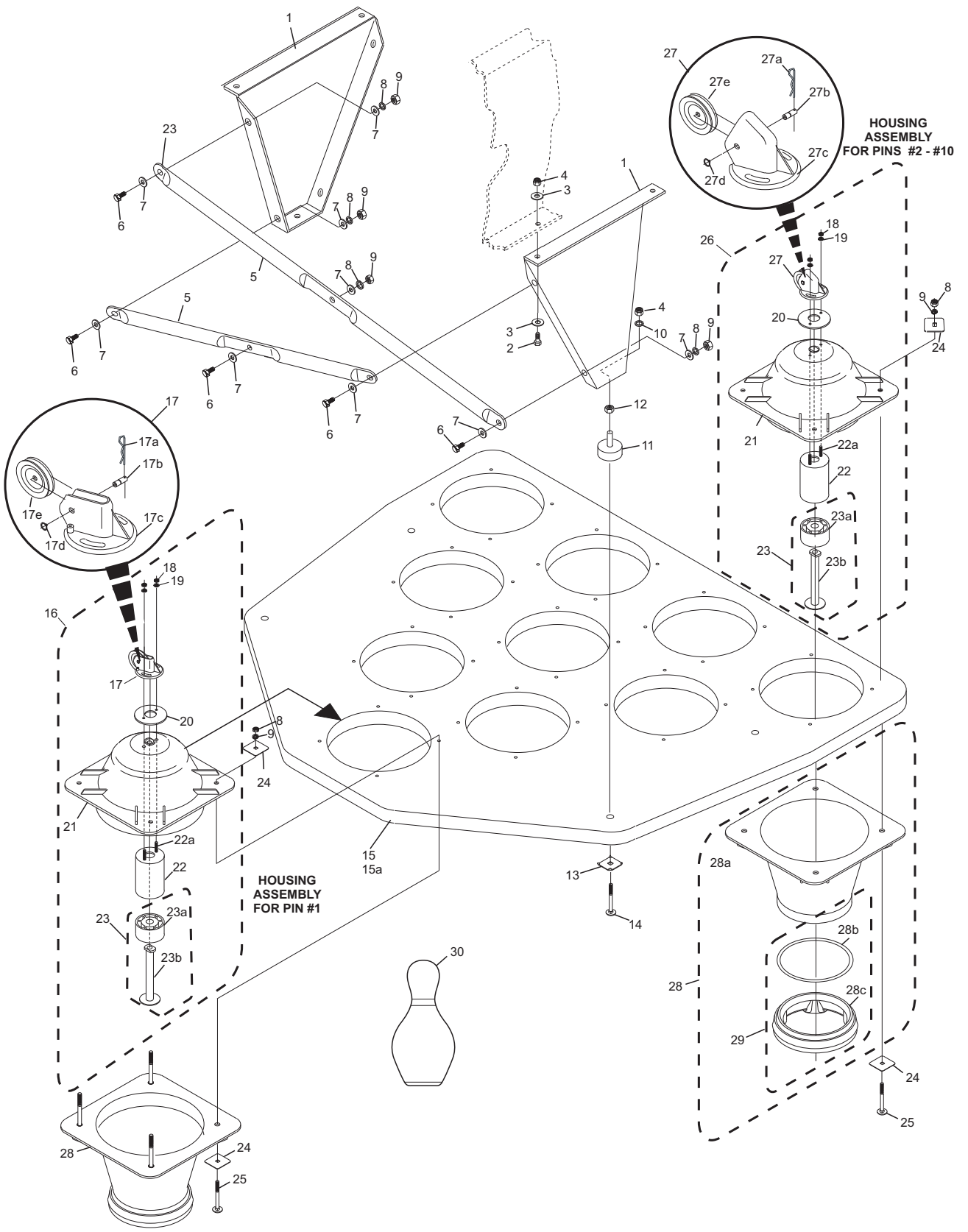
Return Lever Assembly



Return Lever Assembly

Index No.	Part No.	Package / Order Reference	Description
1.	55-081000-002		Platform Support Brace
2.	11-051019-001		Screw Hex. Cap. (M10 x 25 mm)
3.	11-052028-001		Flat Washer (M10)
4.	11-051745-001		Hex Locknut (M10)
5.	55-080239-003		Cross Support Brace
6.	11-051010-001		Screw Hex. Cap. (M8 x 20 mm)
7.	11-052003-001		Flat Washer (M8)
8.	11-051744-001		Hex Locknut (M8)
9.	11-051770-001		Lock Washer (M8)
10.	11-051771-001		Lock Washer (M10)
11.	55-080383-004		Rubber Bumper
12.	11-051703-001		Hex Nut (M10)
13.	55-082531-004		Square Washer
14.	11-052618-001		Metric Carriage Bolt
15.	55-278052-009		Setting Platform Assembly - Complete w/Cones
	15a. 55-082630-001		Setting Platform
16.	55-088307-009		Upper Centering Guide Housing Assembly for Pin #1
17.	55-082271-009		String Pulley Housing Assembly for Pin #1
	17a. 11-054300-000		Metric Spring Cotter
	17b. 55-082031-004		Idler Pulley Shaft
	17c. 55-082282-004		String Pulley Housing for Pin #1
	17d. 11-051855-000		Ring - Retaining, External
	17e. 55-030408-009		String Idler Pulley
18.	11-051743-001		Hex Locknut (M6)
19.	11-052048-001		Flat Washer (M10)
20.	55-082281-004		Pin Head Nut Plate
21.	55-082081-001		Upper Centering Guide Housing
22.	55-088304-000		Spacer - DuckPin Center Cone
	22a. 11-052813-001		Socket Set Screw (M6 x 35 mm)
23.	55-088306-009		Pin Head Stop Assembly
	23a. 55-082606-004		Pin Head Stop
	23b. 55-088305-000		Pin Head Stop Support (DuckPin)
24.	55-082608-004		Square Washer
25.	11-052616-001		Carriage Bolt (M8 x 65 mm)
26.	55-088308-009		Upper Centering Guide Housing Assembly for Pin #2-#10
27.	55-082270-009		String Pulley Housing Assembly for Pin #2 - #10
	27a. 11-054300-000		Metric Spring Cotter
	27b. 55-082031-004		Idler Pulley Shaft
	27c. 55-082279-003		String Pulley Housing for Pin #2 - #10
	27d. 11-051855-000		Ring - Retaining, External
	27e. 55-030408-009		String Idler Pulley
28.	55-088033-009		Lower Centering Guide Assembly
	28a. 55-082134-001		Lower Centering Guide Housing
	28b. 55-082136-004		Centering Guide Ring
	28c. 55-082135-003		Centering Guide.
29.	55-082138-009		Centering Guide Ring Assembly
30.	63-861002-000	63-861001-000	Duckpin - American, Drilled Set of 10

Setting Platform Assembly - Duck Pin



Intentionally Blank Page

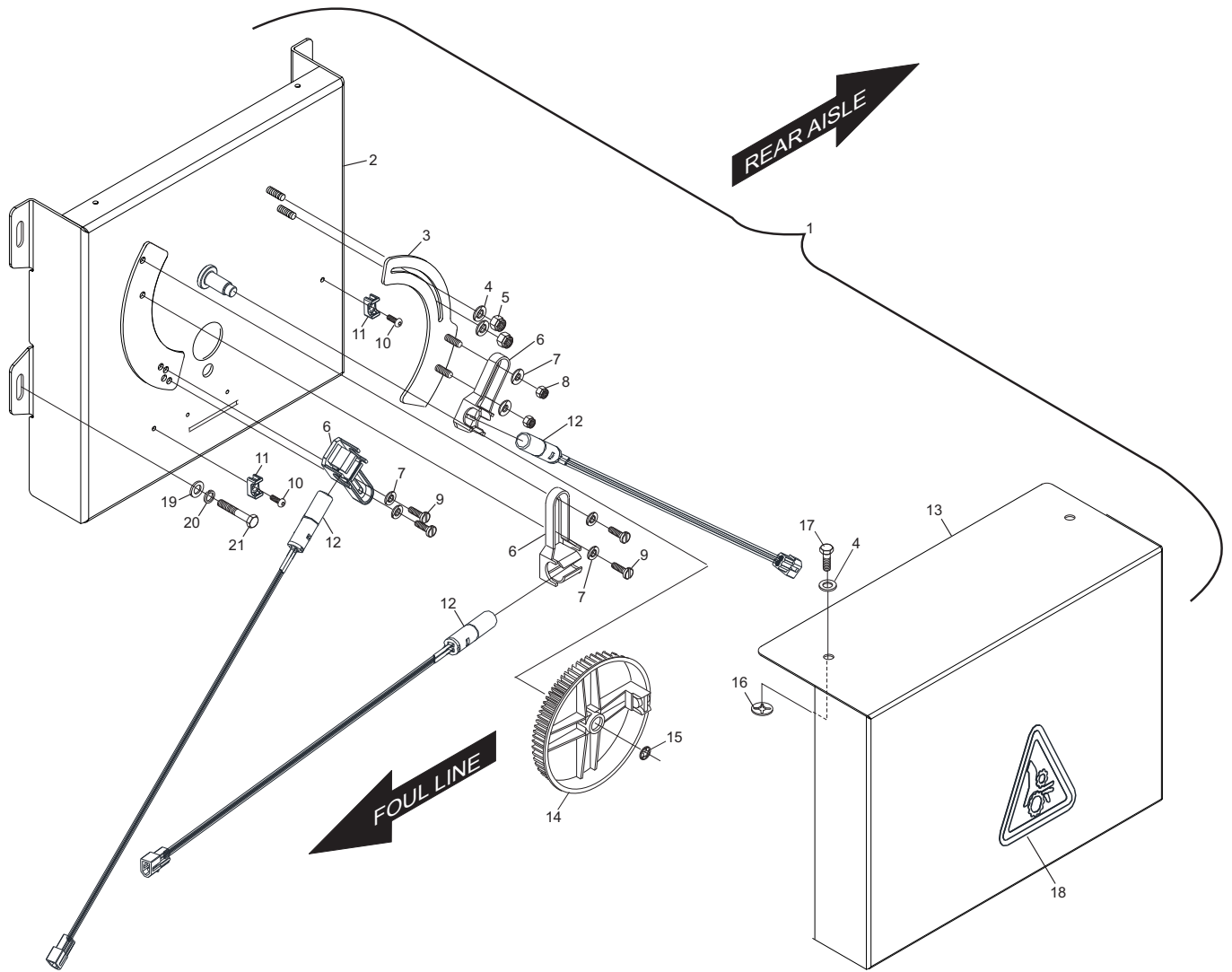
Section E

Electronics

Index No.	Part No.	Package / Order Reference	Description
1.	55-078115-009		Cluster Housing Assembly
2.	*55-078115-000		Cluster Housing
3.	55-078255-000		Switch Support 2 (Home Switch)
4.	11-052020-001		Flat Washer (5.3 mm x 12 mm x 1 mm)
5.	11-051742-001		Hex Locknut (M5)
6.	99-050181-004		Switch Holder
7.	11-052021-001		Flat Washer (4.3 mm x 12 mm x 1 mm)
8.	11-051741-001		Hex Locknut
9.	11-052354-001		Slotted Pan Head Machine Screw (M4 x 12 mm)
10.	11-054601-001		Pop Rivet
11.	99-226387-000		Cable Tie Holder
12.	55-143047-000		Assembly - Cluster Reed Switch
13.	55-078116-000		Cluster Cover
14.	55-078216-009		Cluster Gear Assembly
15.	11-053478-001		Quick Lock (Speed Nut)
16.	11-690553-000		Retainer - Push-On
17.	11-051069-001		Screw Hex Cap (M5 x 12 mm)
18.	99-268200-003		"Moving Parts" Safety Label
19.	11-052008-001		Flat Washer (10.5 mm x 20 mm x 2 mm)
20.	11-051769-001		Lock Washer (M10)
21.	11-051035-001		Screw Hex. Cap. (M6 x 16 mm)

* Not sold separately - order index number 1.

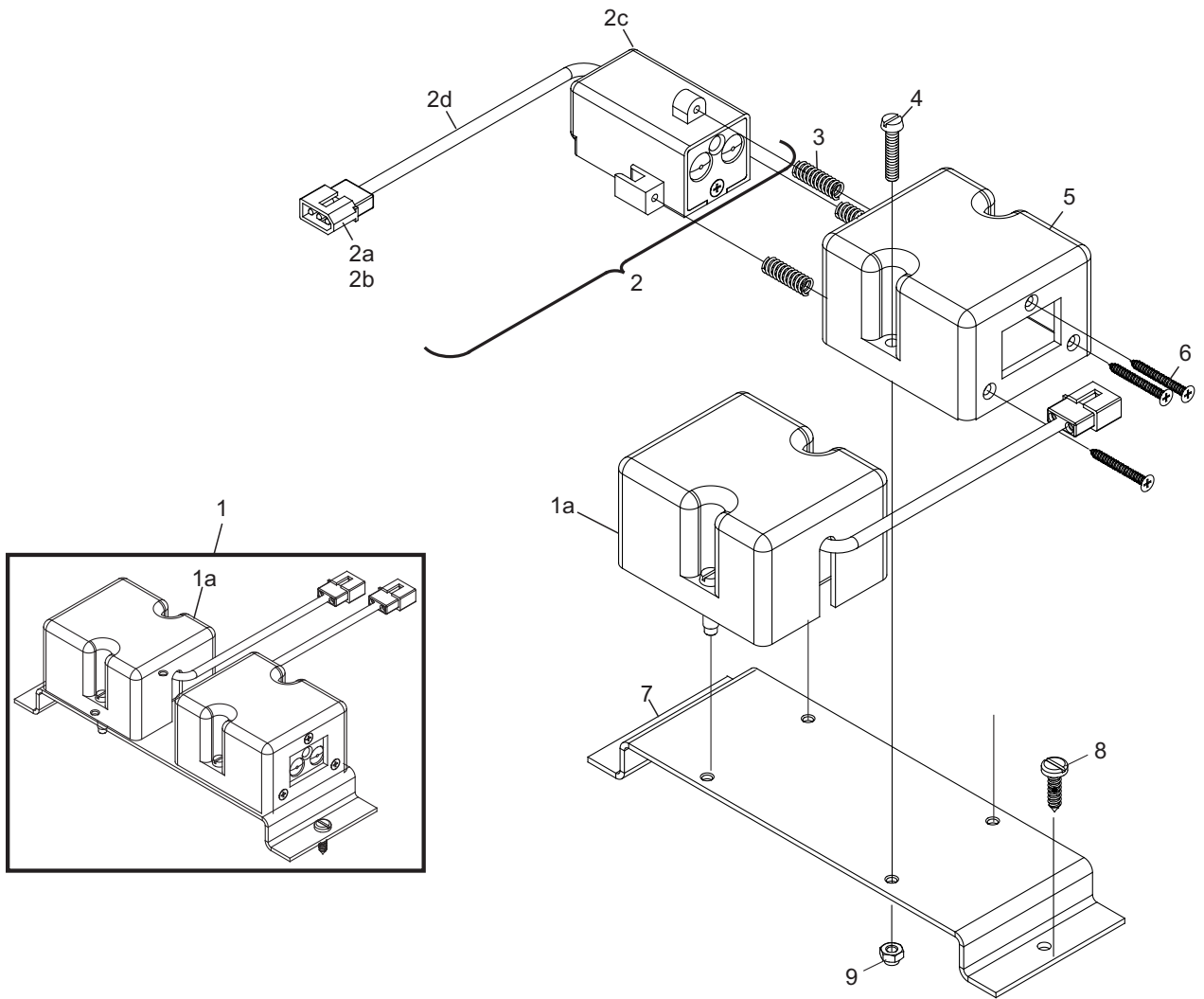
Switch Cluster



Switch Cluster

Index No.	Part No.	Package / Order Reference	Description
1.	99-087141-000		Ball Detect Assembly Complete
	1a. 99-087140-000		Ball Detect Only - Single Unit
2.	99-087139-000		Ball Detect Complete
	2a. 11-680101-000		Connector Plug (Molex)
	2b. 11-680302-000		Pin (Molex)
	2c. 99-080193-004		Ball Detector Box
	2d. 99-080269-004		Cable - Ball Detector
3.	99-080180-004		Compression Spring
4.	11-052211-001		Slotted Head Machine Screw
5.	99-080186-003		Ball Detect Housing
6.	11-086307-001		Flat Head Tapping Screw
7.	99-080213-003		Support Bracket
8.	11-053203-001		Tapping Screw
9.	11-051741-001		Metric Hex Locknut

Ball Detect

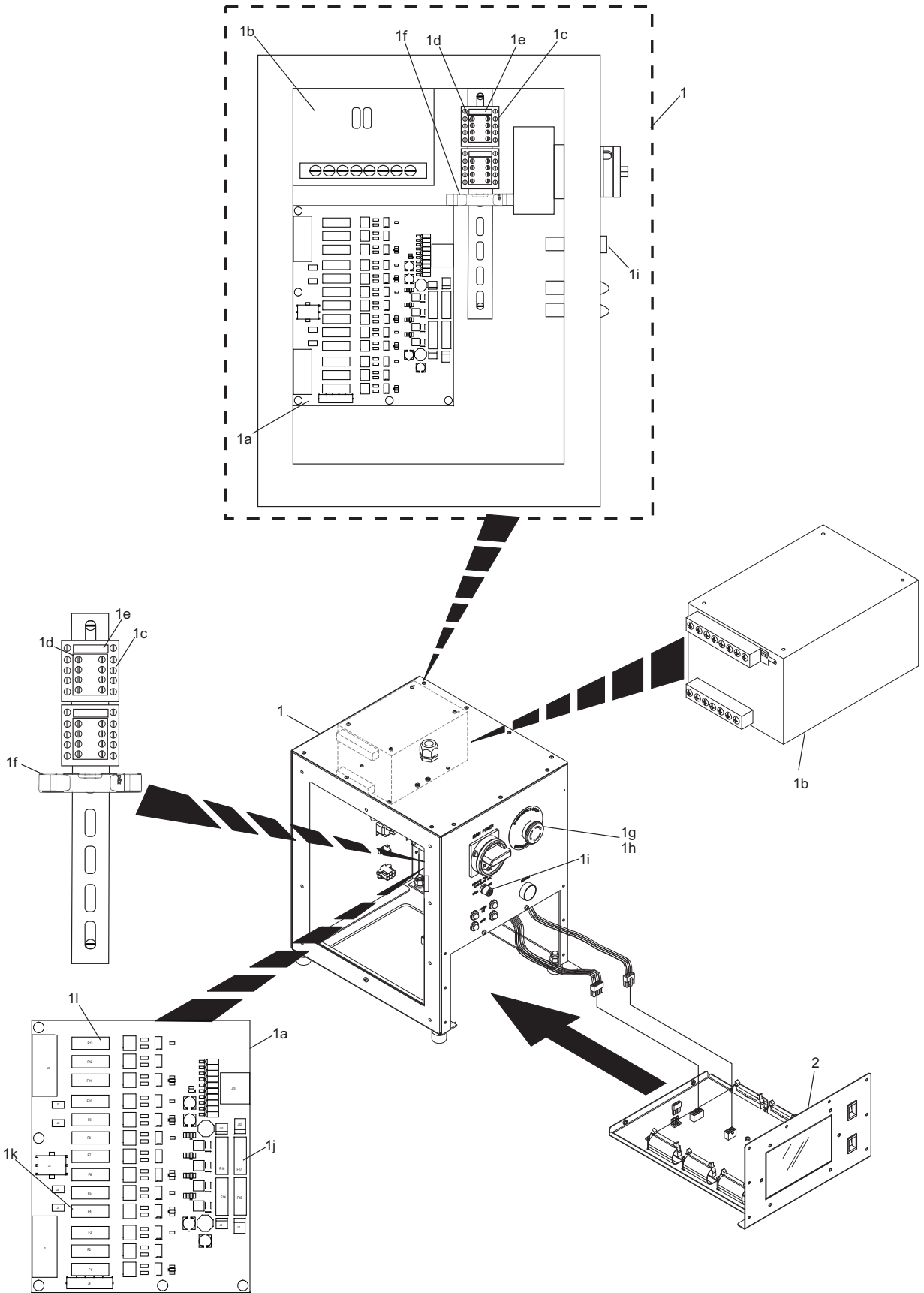


Ball Detect

Index No.	Part No.	Package / Order Reference	Description
1.	55-143072-000	55-860056-000	Pkg. 360 Controller Assembly - StringPin UL
	55-143026-000	55-860057-000	Pkg. 360 Controller - StringPin CE
1a.	55-143008-230	55-860059-230	High Voltage PCB (230V)
	55-143008-380	55-860059-380	High Voltage PCB (380V)
1b.	11-696982-000	55-860060-000	Power Supply (24V)
1c.	*11-671007-xxx		Power Contactor -12A
1d.	*11-671008-xxx		Contact Block - NC/NO
1e.	*11-671009-xxx		Surge Suppressor 24V
1f.	11-696694-000		Controller - Pilz (CE Only)
1g.	11-616037-000		Holder, Contact Block - Emergency Stop
1h.	11-616036-000		Button - Emergency Stop
1i.	11-685056-000		Fuse 250V .5A Fast Blo
1j.	11-685061-000	57-861636-000	Fuse 250V 1.0A Slow Blow - Pkg of 4 (Not Shown)
1k.	11-685062-000	14-860242-000	Fuse 250V 2.0A Slow Blow - Pkg of 5 (Not Shown)
1l.	11-685067-000	57-861874-000	Fuse 250V 3.0A Slow Blow - Pkg of 4 (230V Only)
2.	55-143054-400	55-860058-400	Slide Out Assembly - StringPin Ver 1.0 (Replaced by 55-860058-401)
	55-143054-401	55-860058-401	Slide Out Assembly - StringPin Ver 1.1.27 (Replaced by 55-860064-400)
	55-143090-400	55-860064-400	Slide Out Assembly - StringPin Ver 1.1.27
2a.	11-685060-000	47-862854-000	Fuse 250V 3.15 A Fast Blo - Pkg of 5 (Not Shown)

* xxx - 000 or 100 (Do Not Mix)

360 Controller



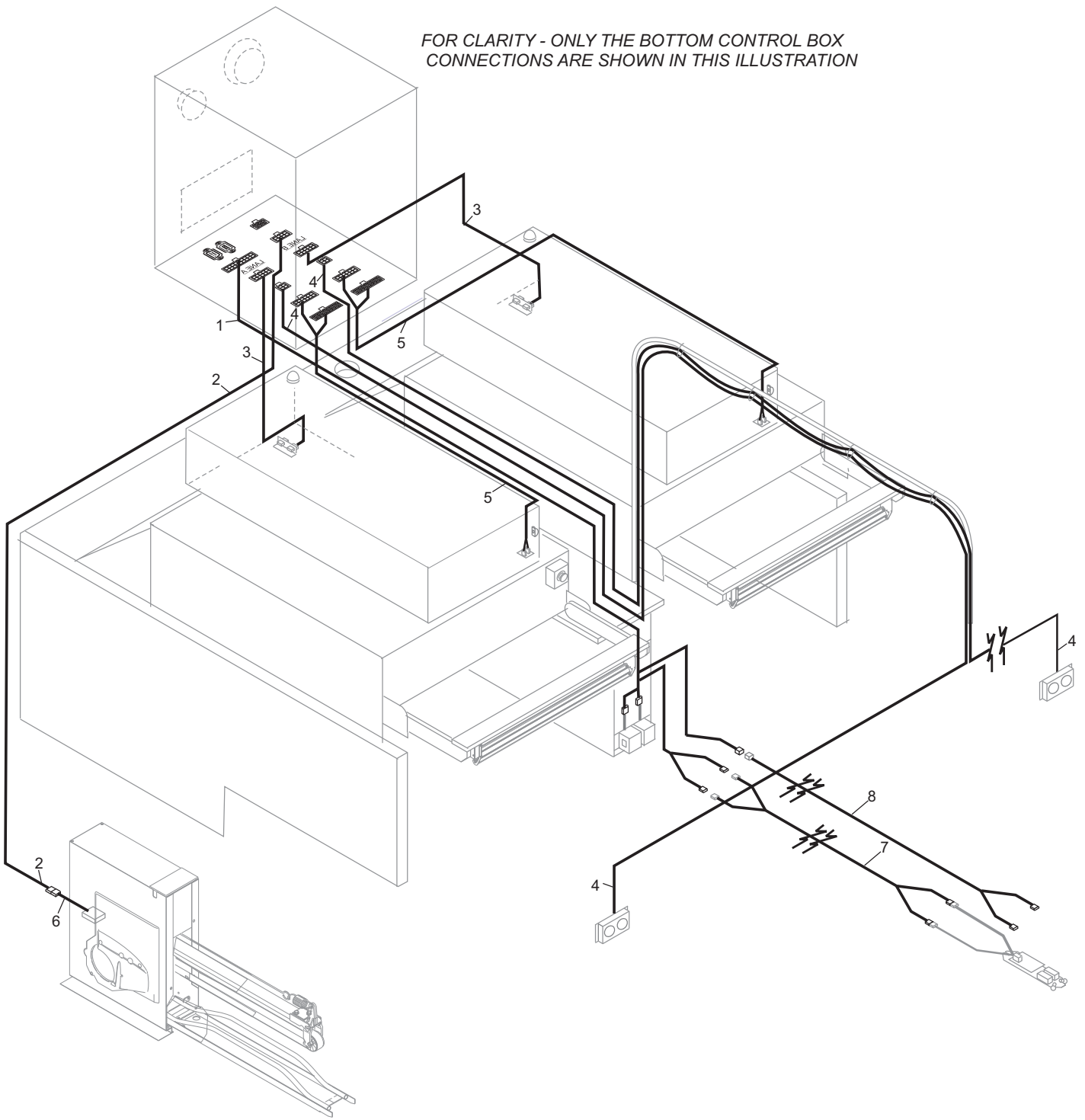
360 Controller

Index No.	Part No.	Package / Order Reference	Description
1.	55-143016-xxx		Foul Unit/ Ball Detect/ Ball Lift Cable Assembly
2.	55-143014-xxx		StringPin Ball Accelerator Overload Cable Assembly
3.	55-143068-xxx		StringPin Switch Cluster Ext Cable Assembly
4.	55-143015-xxx		1st/2nd Ball LED Lights Masking Unit Cable Assembly
5.	55-143012-xxx		Cable Assembly, String Pinsetter Control to PMI
6.	47-245429-004		Overload Switch Cable
7.	68-100659-000	47-862717-000	Foul To Optical Trigger Cable Assembly
8.	53-520588-000	53-860691-000	Lane Cable To Ball Lift

*xxx - 000 for rear mount controller
100 for front mount controller
200 for separated lane pair*

StringPin 360 Controller Bottom Connection Cabling

FOR CLARITY - ONLY THE BOTTOM CONTROL BOX CONNECTIONS ARE SHOWN IN THIS ILLUSTRATION



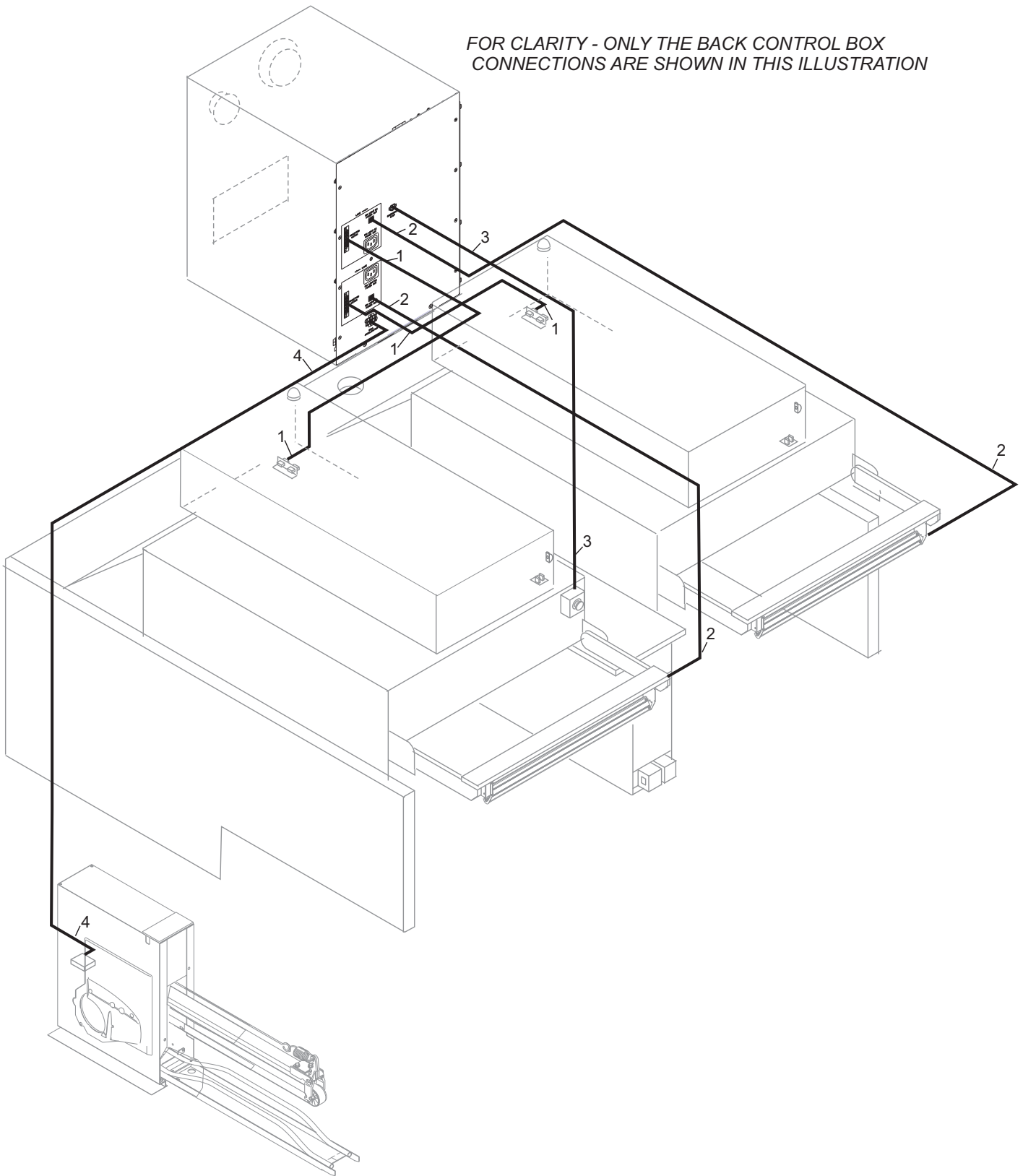
StringPin 360 Controller Bottom Connection Cabling

Index No.	Part No.	Package / Order Reference	Description
1.	55-143067-xxx		StringPin Motor Power Cable Assembly
2.	55-143069-xxx		String Pinsetter DC Pin Light Cable Assembly
3.	55-143013-xxx		Emergency Stop Box Assembly w/Cable
4.	47-246311-004		Ball Accelerator Motor Cable Assembly

*xxx - 000 for rear mount controller
100 for front mount controller
200 for separated lane pair*

StringPin 360 Controller Back Connection Cabling

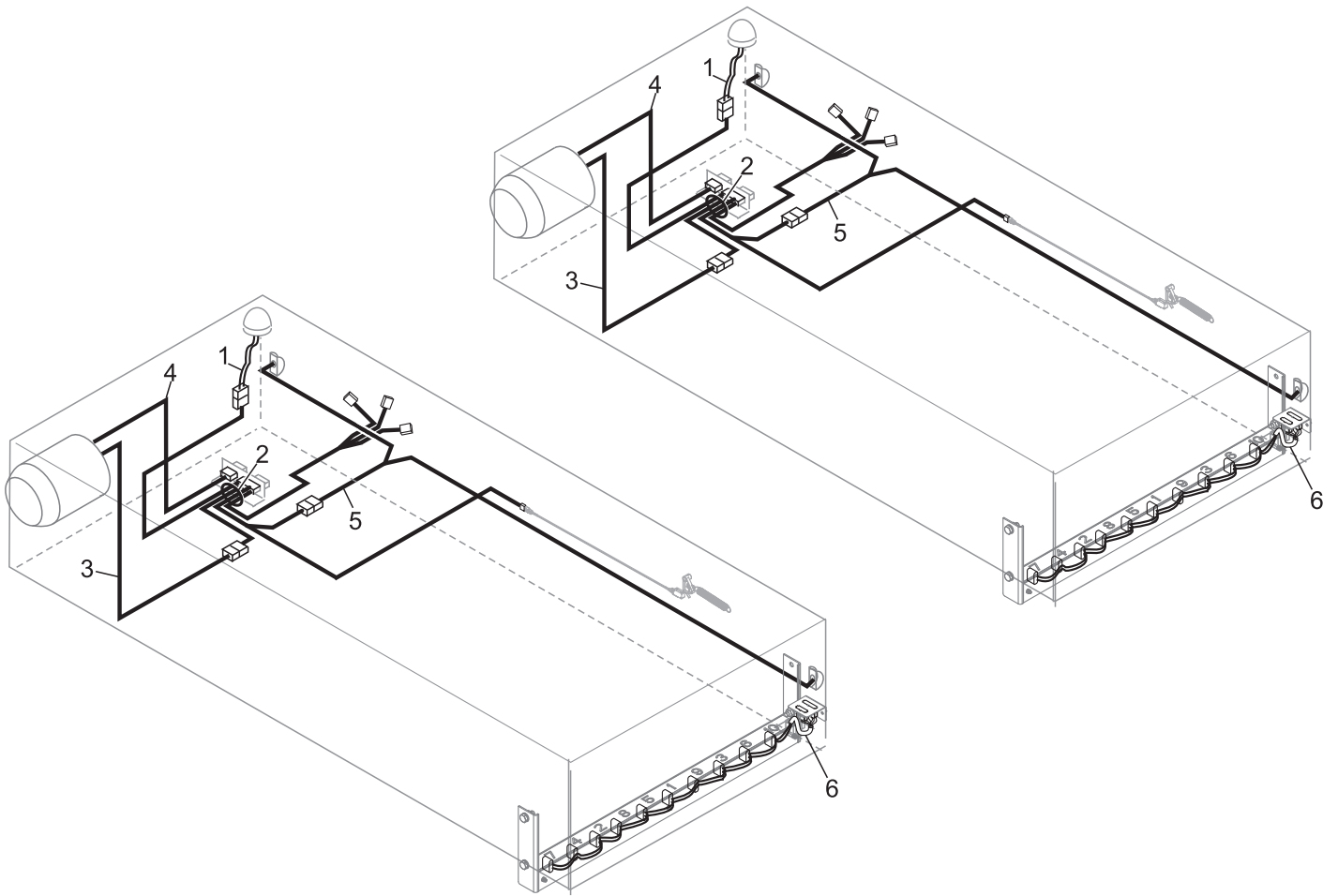
FOR CLARITY - ONLY THE BACK CONTROL BOX CONNECTIONS ARE SHOWN IN THIS ILLUSTRATION



StringPin 360 Controller Back Connection Cabling

Index No.	Part No.	Package / Order Reference	Description
1.	55-143019-000		StringPin Trouble Light Cable Assembly
2.	55-143010-000		StringPin Switch Cluster Cable
3.	55-143018-000		StringPin Motor Overload Cable
4.	55-143011-000		String Pinsetter Motor Cable Assembly
5.	55-143017-000		Mechanic's Stop Switch Cable Assembly
6.	55-143009-000		Pin Station Cable Assembly

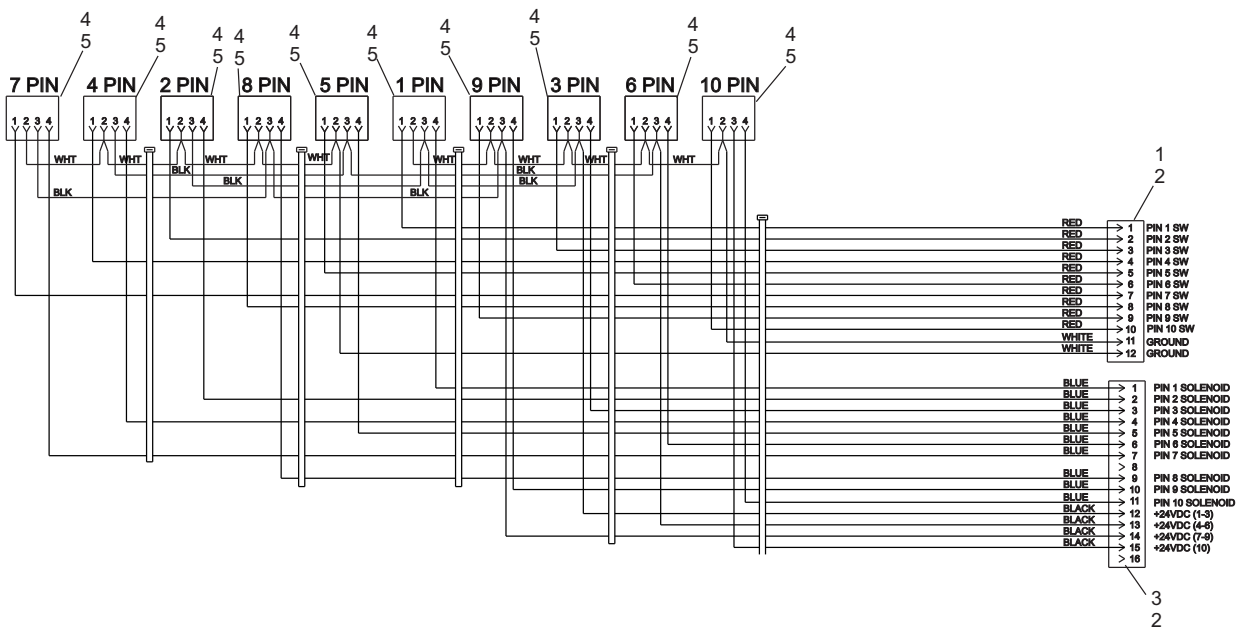
String Pinsetttter Internal Cabling



String Pinsetter Internal Cabling

Index No.	Part No.	Package / Order Reference	Description
1.	11-692212-000		Connector Housing (12 Position Mini-Fit Jr.)
2.	11-692090-000		Terminal (Mini-Fit Jr. - Male)
3.	11-692005-000		Connector Housing (16 Position Mini-Fit Jr.)
4.	11-680301-000		Terminal (.062 Female)
5.	11-680205-000		Connector Housing (4 Position .062)

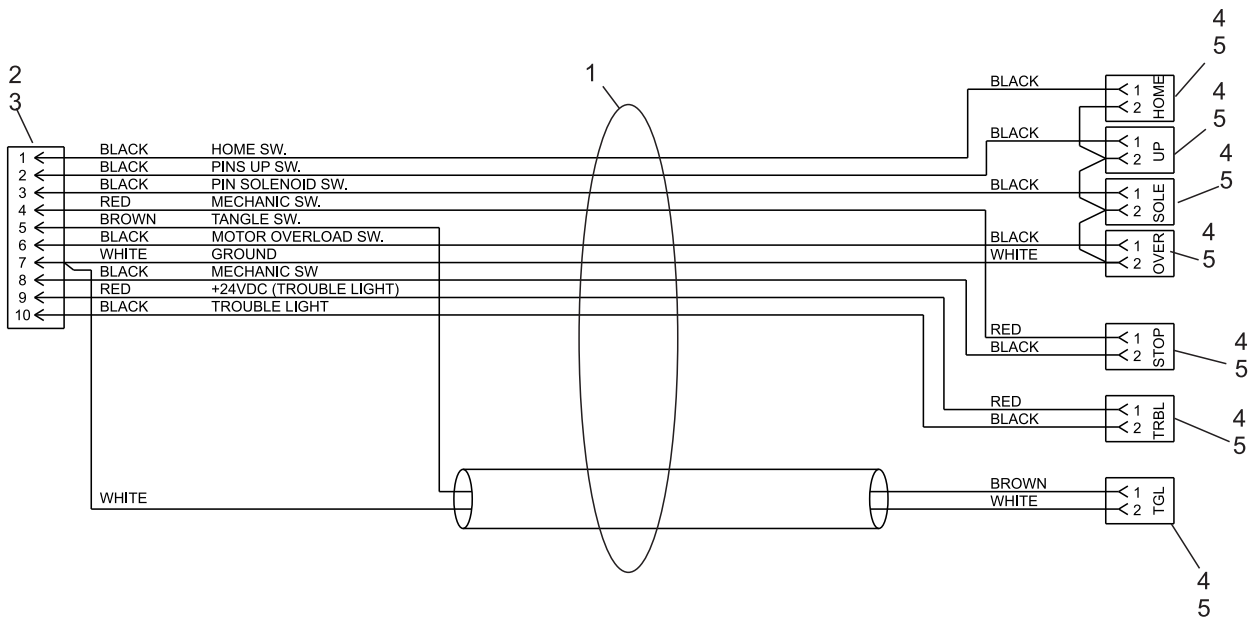
**Pin Station Cable Assembly
55-143009-000**



**Pin Station Cable Assembly
55-143009-000**

Index No.	Part No.	Package / Order Reference	Description
1.	55-143010-000		StringPin Switch Cluster Cable Assembly
2.	11-692210-000		Connector Housing (10 Position Mini-Fit Jr.)
3.	11-692090-000		Terminal (Mini-Fit Jr. - Male)
4.	11-680216-000		Connector Housing (2 Position .062)
5.	11-680301-000		Terminal (.062 Female)

**StringPin Switch Cluster Cable Assembly
55-143010-000**



**StringPin Switch Cluster Cable Assembly
55-143010-000**

Index No.	Part No.	Package / Order Reference	Description
1.	55-143011-000		String Pinsetter Motor Cable Assembly
2.	11-612010-000		Terminal - #8 Stud
3.	11-696738-000		4 Position Mate-N-Lok
4.	11-696737-000		Terminal - Socket, Mate-N-Lok

**StringPin Pinsetter Motor Cable Assembly
55-143011-000**

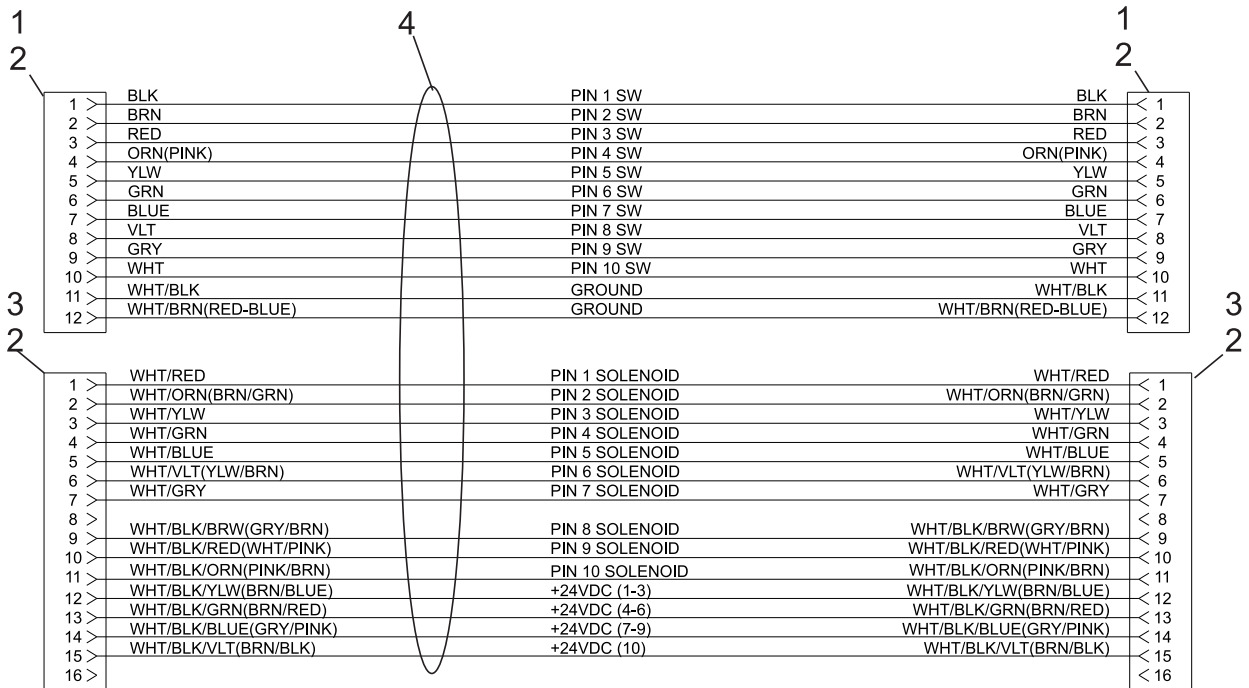


StringPin Pinsetter Motor Cable Assembly
55-143011-000

Index No.	Part No.	Package / Order Reference	Description
1.	11-692312-000		Connector Housing (12 Position Mini-Fit Jr.)
2.	11-692091-000		Terminal (Mini-Fit Jr. - Female)
3.	11-692856-000		Connector Housing (16 Position Mini-Fit Jr.)
4.	55-143012-xxx		Cable Assembly, String Pinsetter Control to PMI

*xxx - 000 for rear mount controller
100 for front mount controller
200 for separated lane pair*

**StringPin 360 Controller to PMI
55-143012-XXX**

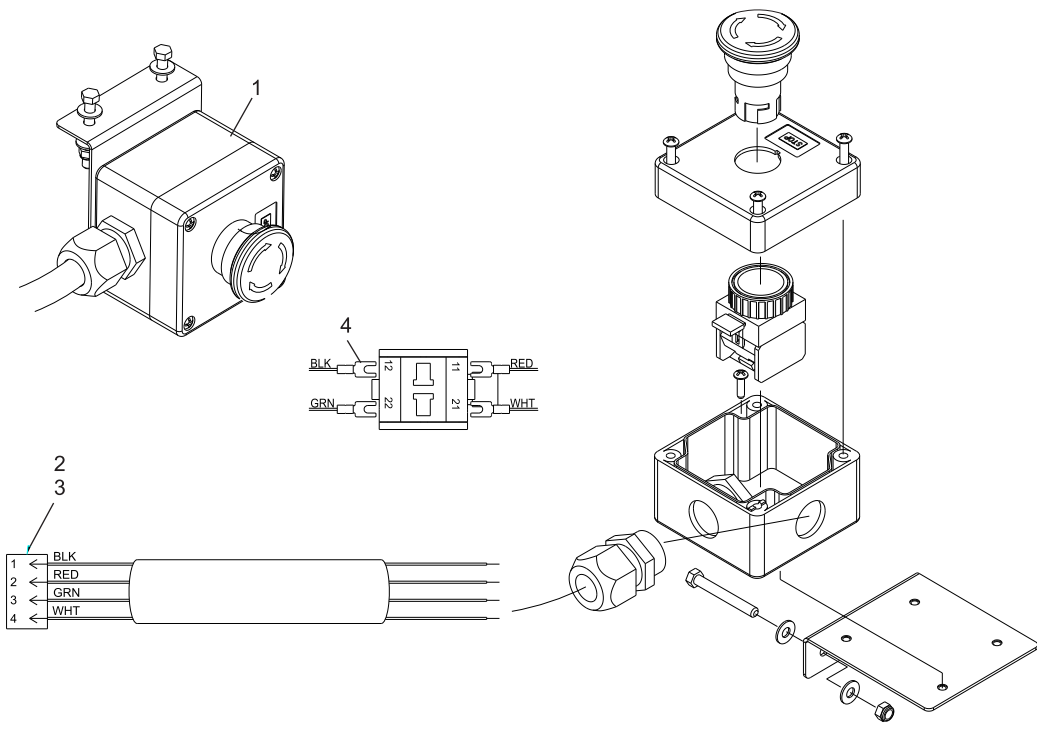


**StringPin 360 Controller to PMI
55-143012-XXX**

Index No.	Part No.	Package / Order Reference	Description
1.	55-143013-xxx		Emergency Stop Box Assembly
2.	11-692091-000		Terminal (Mini-Fit Jr. - Female)
3.	11-692304-000		Connector Housing (4 Position Mini-Fit Jr.)
4.	11-612000-000		Terminal - Fork #6

*xxx - 000 for rear mount controller
100 for front mount controller
200 for separated lane pair*

**StringPin Emergency Stop Box - Rear Mount Cable
55-143013-xxx**

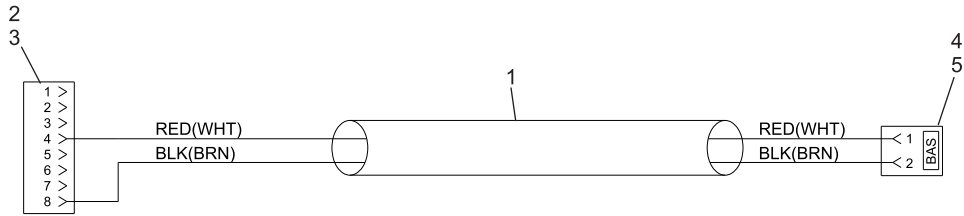


StringPin Emergency Stop Box - Rear Mount Cable
55-143013-xxx

Index No.	Part No.	Package / Order Reference	Description
1.	55-143014-xxx		StringPin Ball Accelerator Overload Cable Assembly
2.	11-692091-000		Terminal - (Mini-Fit Jr. - Female)
3.	11-692308-000		Connector Housing (8 Position Mini-Fit Jr.)
4.	11-690216-000		Connector Housing (2 Position .062)
5.	11-680301-000		Terminal (.062 Female)

*xxx - 000 for rear mount controller
100 for front mount controller
200 for separated lane pair*

**Ball Accelerator Overload Cable - Rear Mount Cable
55-143014-XXX**

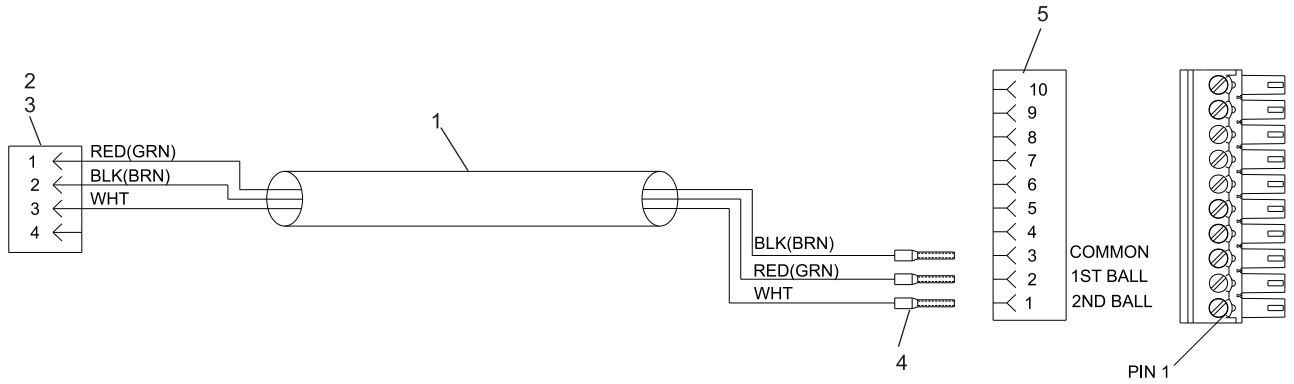


Ball Accelerator Overload Cable - Rear Mount Cable
55-143014-XXX

Index No.	Part No.	Package / Order Reference	Description
1.	55-143015-xxx		1st/2nd Ball LED Lights Masking Unit Cable Assembly
2.	11-692091-000		Terminal (Mini-Fit Jr. - Female)
3.	11-692304-000		Connector Housing (4 Position Mini-Fit Jr.)
4.	11-680831-000		Ferrule
5.	11-697996-000		Connector Housing (10 Position)

*xxx - 000 for rear mount controller
100 for front mount controller
200 for separated lane pair*

**1st and 2nd Ball LED lights Cable Assembly
55-143015-XXX**

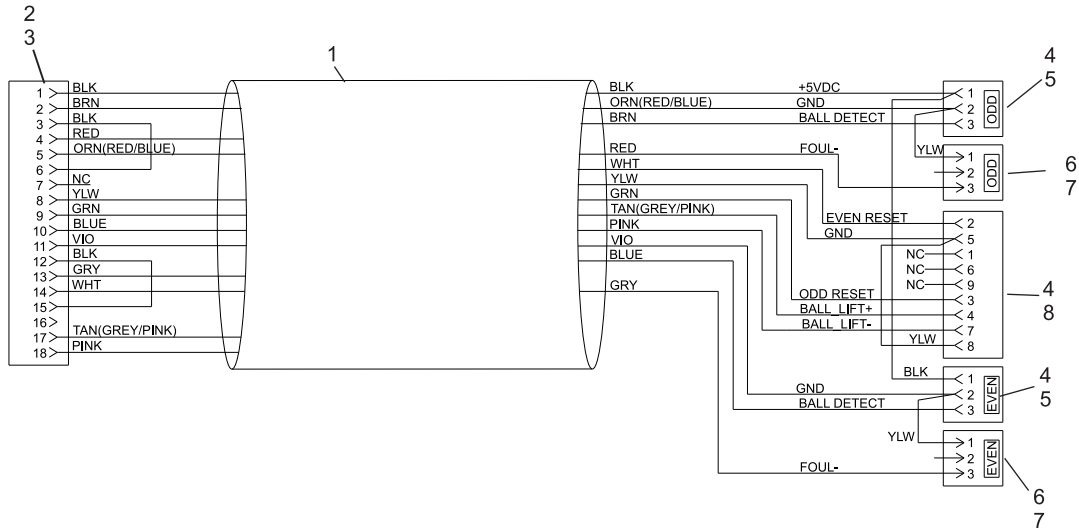


**1st and 2nd Ball LED lights Cable Assembly
55-143015-XXX**

Index No.	Part No.	Package / Order Reference	Description
1.	55-143016-xxx		Foul Unit/ Ball Detect/ Ball Lift Cable Assembly
2.	11-692091-000		Terminal (Mini-Fit Jr. - Female)
3.	11-692318-000		Connector Housing (18 Position Mini-Fit Jr.)
4.	11-680301-000		Terminal (.062 Female)
5.	11-680201-000		Connector Housing (3 Position .062 Receptacle)
6.	11-680302-000		Terminal - (.062 Male)
7.	11-680101-000		Connector Housing (3 Position .062 Plug)
8.	11-680204-000		Connector Housing (9 Position .062 Receptacle)

*xxx - 000 for rear mount controller
100 for front mount controller
200 for separated lane pair*

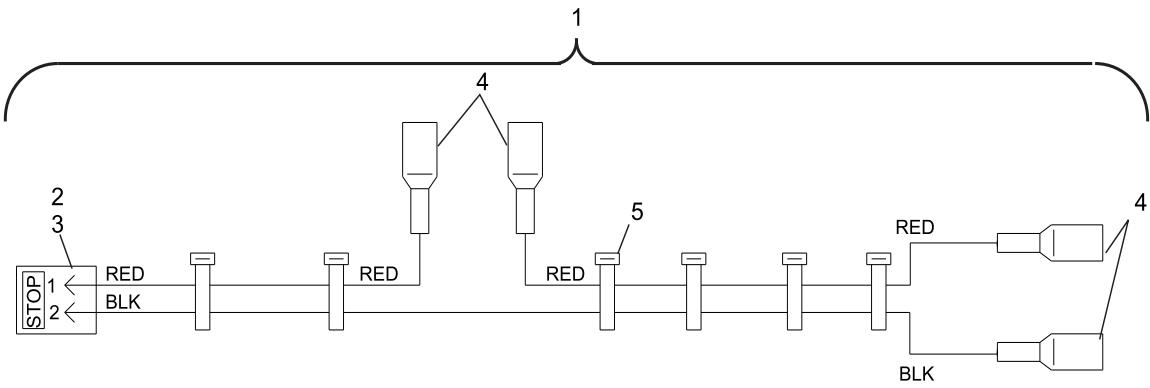
**Foul/Ball lift/ Ball Detect ,Cable Assembly
55-143016-XXX**



**Foul/Ball lift/ Ball Detect ,Cable Assembly
55-143016-XXX**

Index No.	Part No.	Package / Order Reference	Description
1.	55-143017-000		String Pinsetter Mechanic's Stop Switch Cable Assembly
2.	11-680116-000		Connector Housing (2 Position .062 Plug)
3.	11-680302-000		Terminal - (.062 Male)
4.	11-612152-000		Terminal - Faston
5.	11-603115-000		Wire Tie - 4"

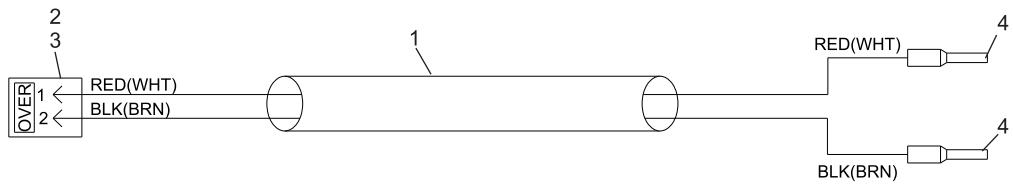
**String Pinsetter Mechanic's Stop Switch Cable Assembly
55-143017-000**



**String Pinsetter Mechanic's Stop Switch Cable Assembly
55-143017-000**

Index No.	Part No.	Package / Order Reference	Description
1.	55-143018-000		StringPin Motor Overload Cable Assembly
2.	11-680116-000		Connector Housing (.062 Plug)
3.	11-680302-000		Terminal(.062 - Male
4.	11-680831-000		Terminal Ferulle

**String Pinsetter Motor Overload Cable Assembly
55-143018-000**



String Pinsetter Motor Overload Cable Assembly
55-143018-000

Index No.	Part No.	Package / Order Reference	Description
1.	55-143019-000		StringPin Trouble Light Cable Assembly
2.	11-680116-000		Connector Housing (.062 Plug)
3.	11-680302-000		Terminal (.062 - Male)
4.	11-680831-000		Terminal Ferulle

**String Pinsetter Trouble light Cable Assembly
55-143019-000**

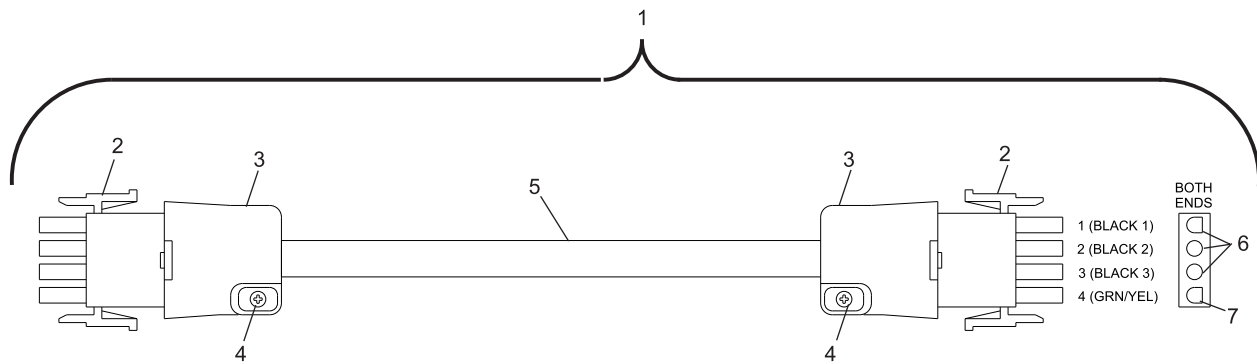


String Pinsetter Trouble Light Cable Assembly
55-143019-000

Index No.	Part No.	Package / Order Reference	Description
1.	55-143067-xxx		StringPin Motor Power Cable Assembly
2.	11-696703-000		Connector Housing (4 Position Mate-N-Lok Plug)
3.	11-696721-000		Strain Relief, Cover (4 Position)
4.	11-082521-001		Screw (#6 x 3/8")
5.	27-619208-000		4 Conductor Cable (4500 mm)
6.	11-696736-000		Terminal - Pin, Mate-N-Lok
7.	11-696735-000		Terminal - Pin, Mate-N-Lok, Ground

*xxx - 000 for rear mount controller
100 for front mount controller
200 for separated lane pair*

**StringPin Motor Power, Cable Assembly - Rear Mount Cable
55-143067-XXX**

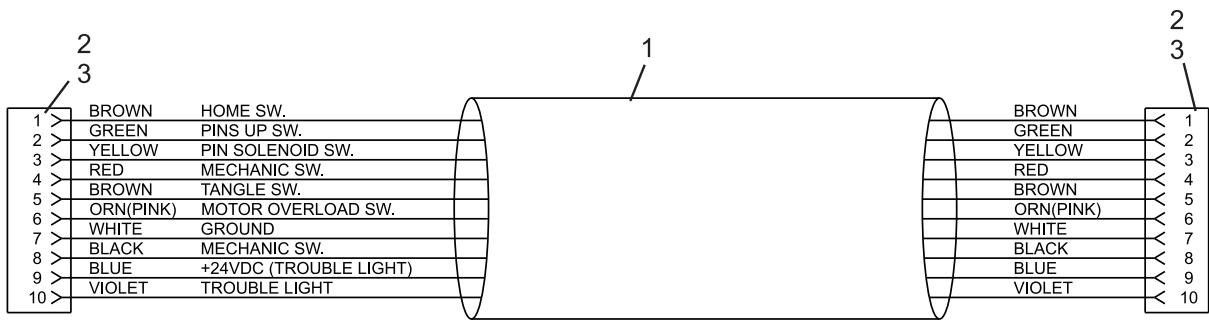


**StringPin Motor Power, Cable Assembly - Rear Mount Cable
55-143067-XXX**

Index No.	Part No.	Package / Order Reference	Description
1.	55-143068-xxx		String Pinsetter Switch Cluster EXT Cable Assembly
2.	11-692309-000		Connector Housing (10 Position Mini-Fit Jr. Receptacle)
3.	11-692091-000		Terminal (Mini-Fit Jr. - Female)

*xxx - 000 for rear mount controller
100 for front mount controller
200 for separated lane pair*

**String Pinsetter Switch Cluster EXT Cable Assembly
55-143068-XXX**

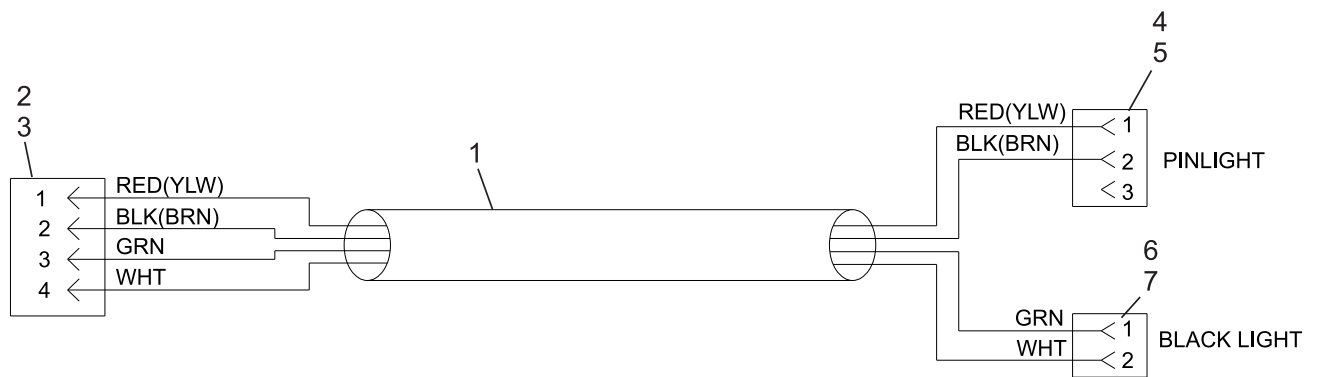


**String Pinsetter Switch Cluster EXT Cable Assembly
55-143068-XXX**

Index No.	Part No.	Package / Order Reference	Description
1.	55-143069-xxx		String Pinsetter DC Pinlight Cable Assembly
2.	11-680019-000		Connector Housing (2 Position Plug .062)
3.	11-680302-000	57-860032-000	Terminal (.062 Male), Pkg Qty - 10
4.	11-697237-000		Connector Housing (3 Position .100kk)
5.	11-680326-000		Terminal (.100kk)
6.	11-697204-000		Connector Housing (2 Position.156kk)
7.	11-680322-000		Terminal (.156kk)

xxx - 000 for rear mount controller
100 for front mount controller
200 for separated lane pair

**String Pinsetter DC Pinlight Cable Assembly
55-143069-XXX**



**String Pinsetter DC Pinlight Cable Assembly
55-143069-XXX**

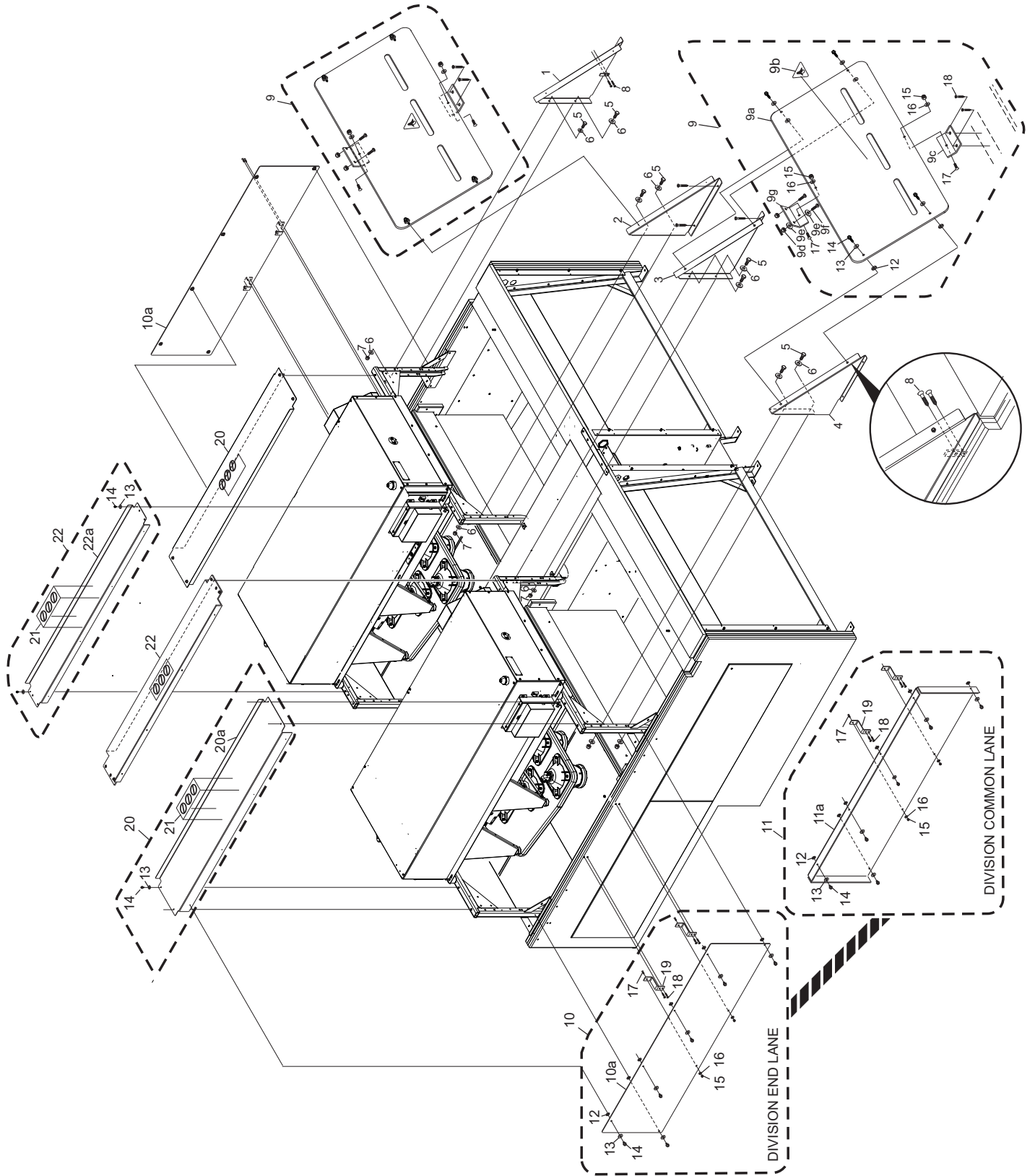
Intentionally Blank Page

Section F

Guards and Safety

Index No.	Part No.	Package / Order Reference	Description
1.	55-098075-001		Division Side Frame Guard - Left Lane
2.	55-098076-001		Walkway Side Frame Guard - Left Lane
3.	55-098064-001		Walkway Side Frame Guard - Even Lane
4.	55-098063-001		Division Side Frame Guard - Even Lane
5.	11-051015-001		Hex Cap Screw (M8 x 25 mm)
6.	11-052006-001		Washer (8.4 mm x 20 mm x 2 mm)
7.	11-051744-001		Locknut
8.	11-051894-000		T-25 Torx Wood Screw (M5 x 35 mm)
9.	55-098090-009		Assembly - Rear PC Guard Plate
9a.	55-098090-001		Rear PC Guard Plate - (Plate Only)
9b.	99-268200-003		"Moving Parts" Safety Label
9c.	55-098083-001		Rear PC Guard Bottom Holder
9d.	11-051742-001		Locknut (M5)
9e.	11-052039-001		Washer (5.3 mm x 15 mm x 1.2 mm)
9f.	11-053781-001		Pan Head Screw (M5 x 20 mm)
9g.	55-098084-001		Rear PC Guard Top Holder
10.	55-098091-009		Assembly - Division Guard Plate - End Lane
10a.	55-098091-001		Division Guard Plate - End Lane (Plate Only)
11.	55-098086-009		Assembly - Division Guard Plate - Common Lane
11a.	55-098086-001		Division Guard Plate - Common Lane (Plate Only)
12.	11-690553-000		Retainer - Push On
13.	11-052020-001		Washer (5.3 mm x 12 mm x 1 mm)
14.	11-054901-001		Hex Cap Tapping Screw
15.	11-051743-001		Hex LockNut (M6)
16.	11-052037-001		Flat Washer (6.4 mm x 18 mm x 1.6 mm)
17.	11-051520-001		Screw Socket Head Cap Screw
18.	11-051892-000		Torx Self Counter Sink
19.	55-098088-001		Support For End Lane & Division PC Guard
20.	55-098055-009		Assembly - Upper Bent Plate, Wide (Division)
20a.	55-098055-001		Upper Bent Plate, Wide (Plate Only)
21.	11-681174-000		Label - DANGER "NO STEP, NO STAND, NO SIT"
22.	55-098054-009		Assembly - Upper Bent Plate, Narrow (Ball Return)
22a.	55-098054-001		Upper Bent Plate, Narrow (Plate Only)

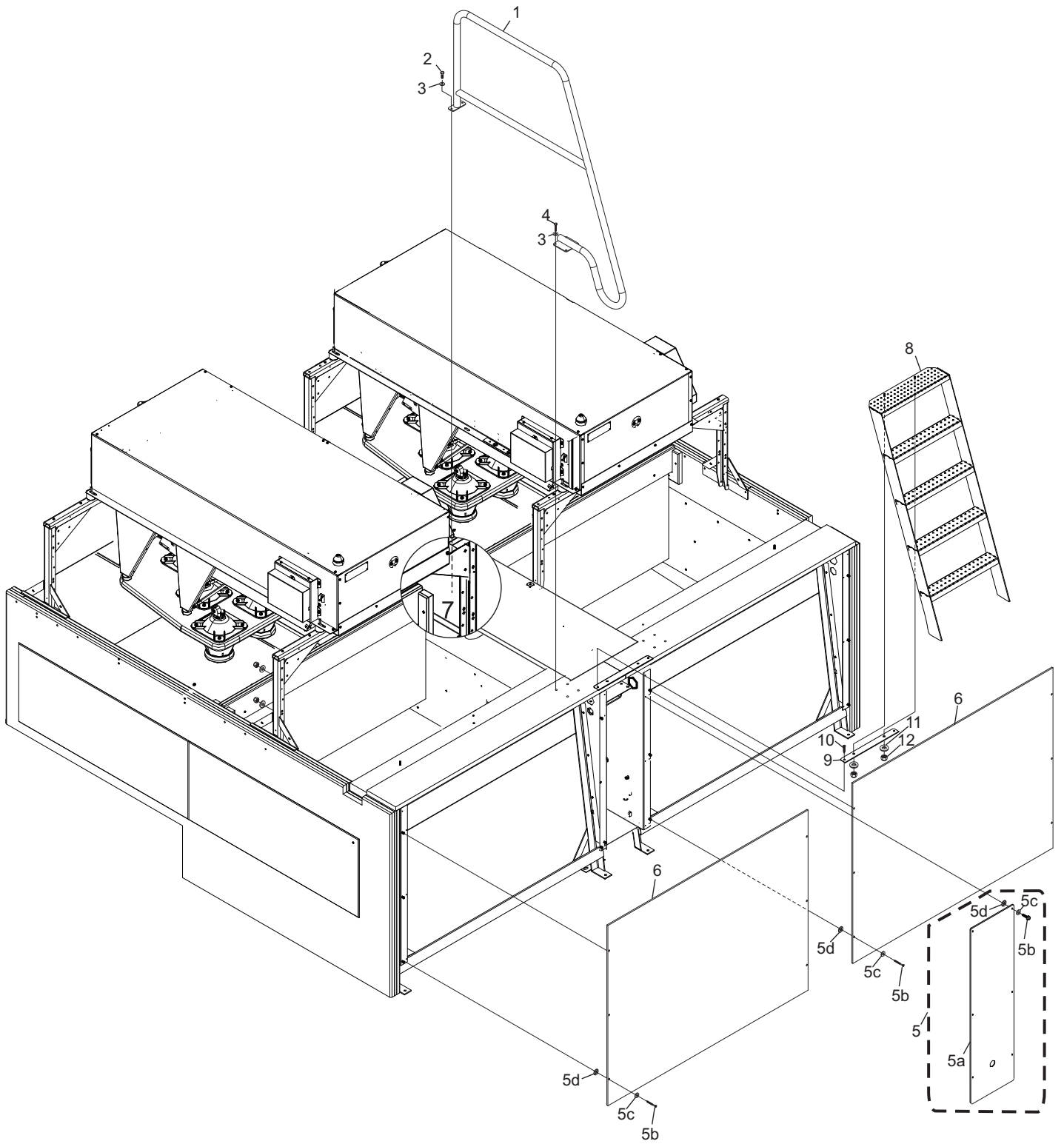
Guards



Guards

Index No.	Part No.	Package / Order Reference	Description
1.	55-278062-001		Rear Handrail
2.	11-051015-001		Hex Head Cap Screw (M8 x 25 mm)
3.	11-052006-001		Flat Washer
4.	11-051085-001		Hex Head Cap Screw (M8 x 45 mm)
5.	55-098093-009		Assembly - Ball Accelerator Guard
	5a. 55-098093-001		Ball Accelerator Guard Plate
	5b. 11-054901-001		Hex Cap Tapping Screw
	5c. 11-052020-001		Washer (5.3 mm x 12 mm x 1 mm)
	5d. 11-690553-000		Retainer - Push On
6.	55-278059-001		Back Guard Plate
7.	11-051744-001		LockNut (M8)
8.	55-278060-001		Ladder
9.	55-278170-003		Reinforcement Plate - For Rear Ladder
10.	11-051892-000		Torx Self Tap Counter Sink (M4.5 x 25 mm)
11.	11-052028-001		Flat Washer
12.	11-051745-001		LockNut (M10)

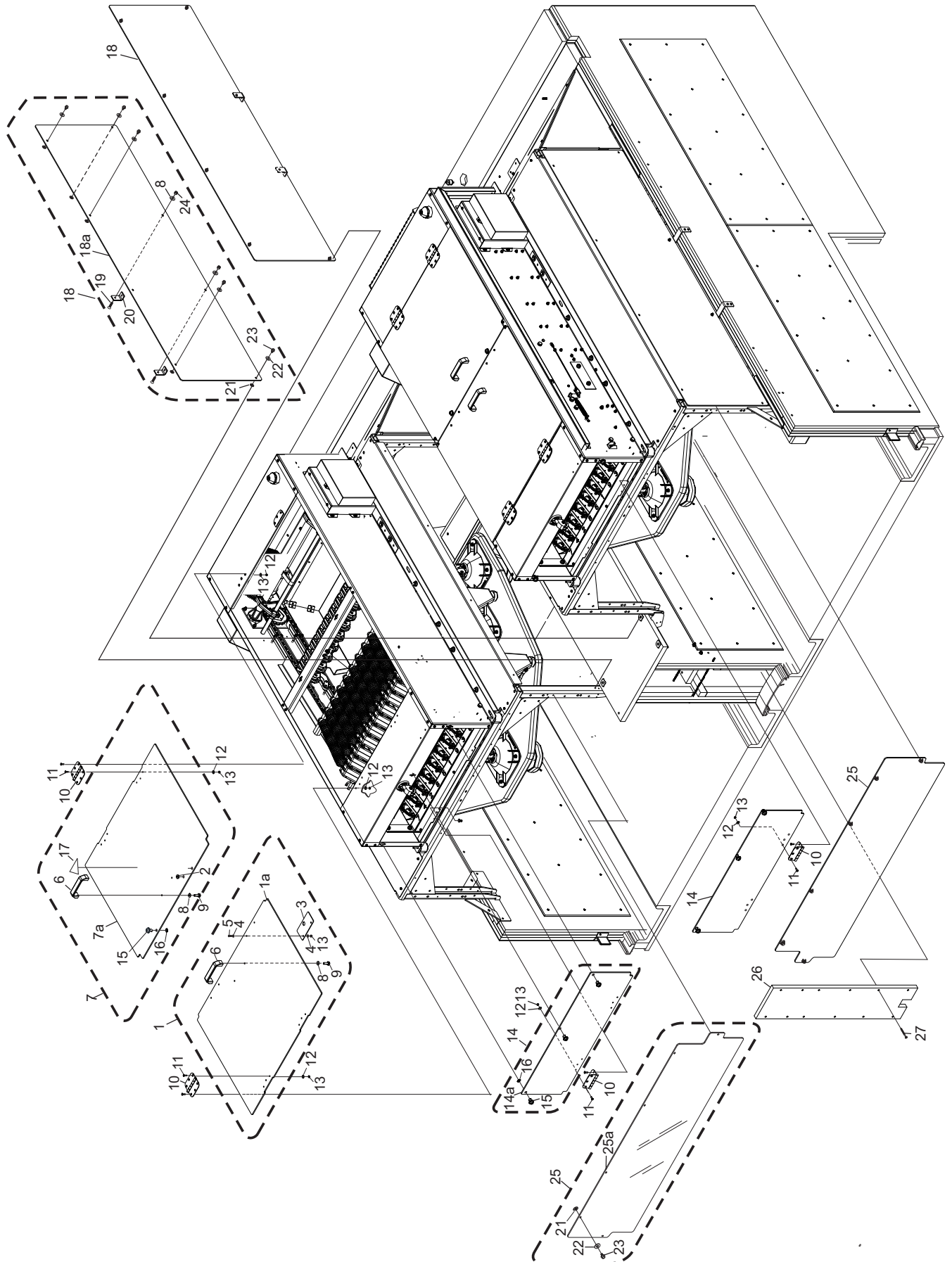
Rear - Ladder, Handrail and Guards



Rear - Ladder, Handrail and Guards

Index No.	Part No.	Package / Order Reference	Description
1.	55-018110-009		Assembly - Upper PC Guard
	1a. 55-018110-000		Upper PC Guard (Plate Only)
2.	99-228264-000		Grommet
3.	55-018109-000		Mounting Plate
4.	11-052020-001		Flat Washer
5.	11-054813-001		Screw Button Head Cap Screw (M5 x 16 mm)
6.	47-085826-004		Handle
7.	55-018111-009		Assembly - Upper PC Guard
	7a. 55-018111-000		Upper PC Guard (Plate Only)
8.	11-052037-001		Flat Washer (M10)
9.	11-051035-001		Screw Hex Head Cap (M6 x 16 mm)
10.	11-077000-000		Hinge
11.	11-052947-001		Screw Flat Head Socket
12.	11-052039-001		Flat Washer
13.	11-051742-001		Locknut (M5)
14.	55-018114-009		Assembly - Front PC Guard
	14a. 55-018114-000		Front PC Guard (Plate Only)
15.	47-016383-004		Quick Loc Fastener
16.	47-015905-004		Quick Loc Retainer
17.	99-268200-003		Label Safety
18.	55-098065-009		Assembly Side PC Guard
	18a. 55-098091-001		Side PC Guard (Plate Only)
19.	11-051892-001		Torx Self Counter Sink Screw
20.	55-098087-001		Bracket
21.	11-690553-000		Push -On Retainer
22.	11-052020-001		Flat Washer
23.	11-054901-001		Screw Hex Head Cap Tapping (M4.8 x 16 mm)
24.	11-051743-001		Locknut (M6)
25.	55-098169-009		Assembly - Front Vertical PC Guard Plate
	25a. 55-098169-001		Front Vertical PC Guard (Plate Only)
26.	55-278147-000		Front Cover
27.	11-051893-000		Pan Head Screw (5 mm x 60 mm)

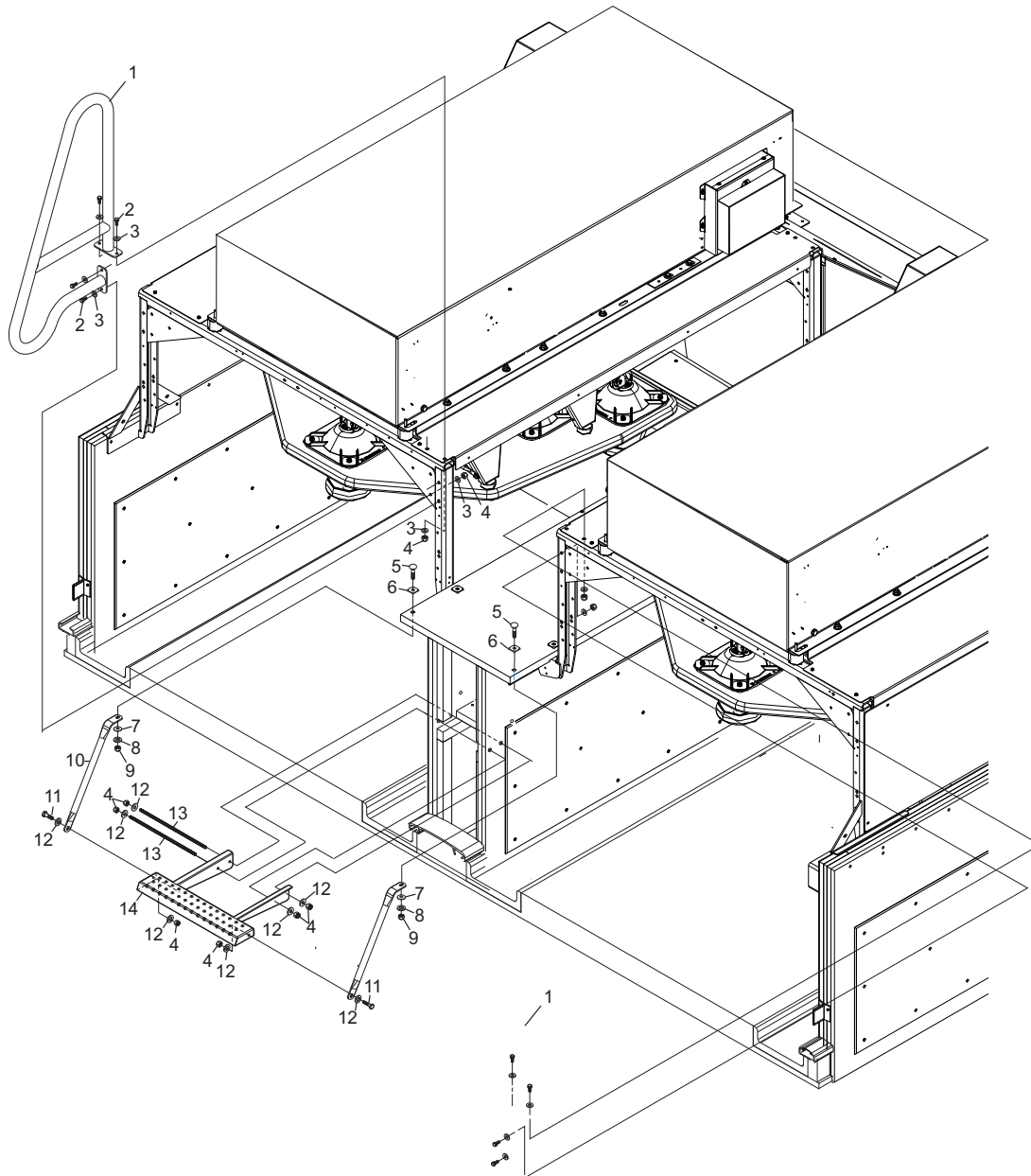
Guards and Doors



Guards and Doors

Index No.	Part No.	Package / Order Reference	Description
1.	55-278068-001		Front Hand Rail
2.	11-051015-001		Hex Cap Screw (M8 x 25 mm)
3.	11-052006-001		Washer (8.4 mm x 20 mm x 2 mm)
4.	11-051744-001		Locknut (M8)
5.	11-052619-001		Carriage Bolt (M8 x 55 mm)
6.	11-278137-004		Square Washer
7.	11-052019-001		Flat Washer (8.4 mm x 24 mm x 2 mm)
8.	11-051770-001		Lock Washer (8.1 mm x 14.8 mm x 2 mm)
9.	11-051704-001		Hex Nut (M8)
10.	55-278089-001		Reinforce Tube for Front Step
11.	55-051010-001		Hex Head Cap Screw (M8 x 20 mm)
12.	11-052003-001		Flat Washer (8.4 mm x 16 mm x 1.6 mm)
13.	55-278134-004		Threaded Rod (M8 x 300 mm)
14.	55-278069-001		Front Step

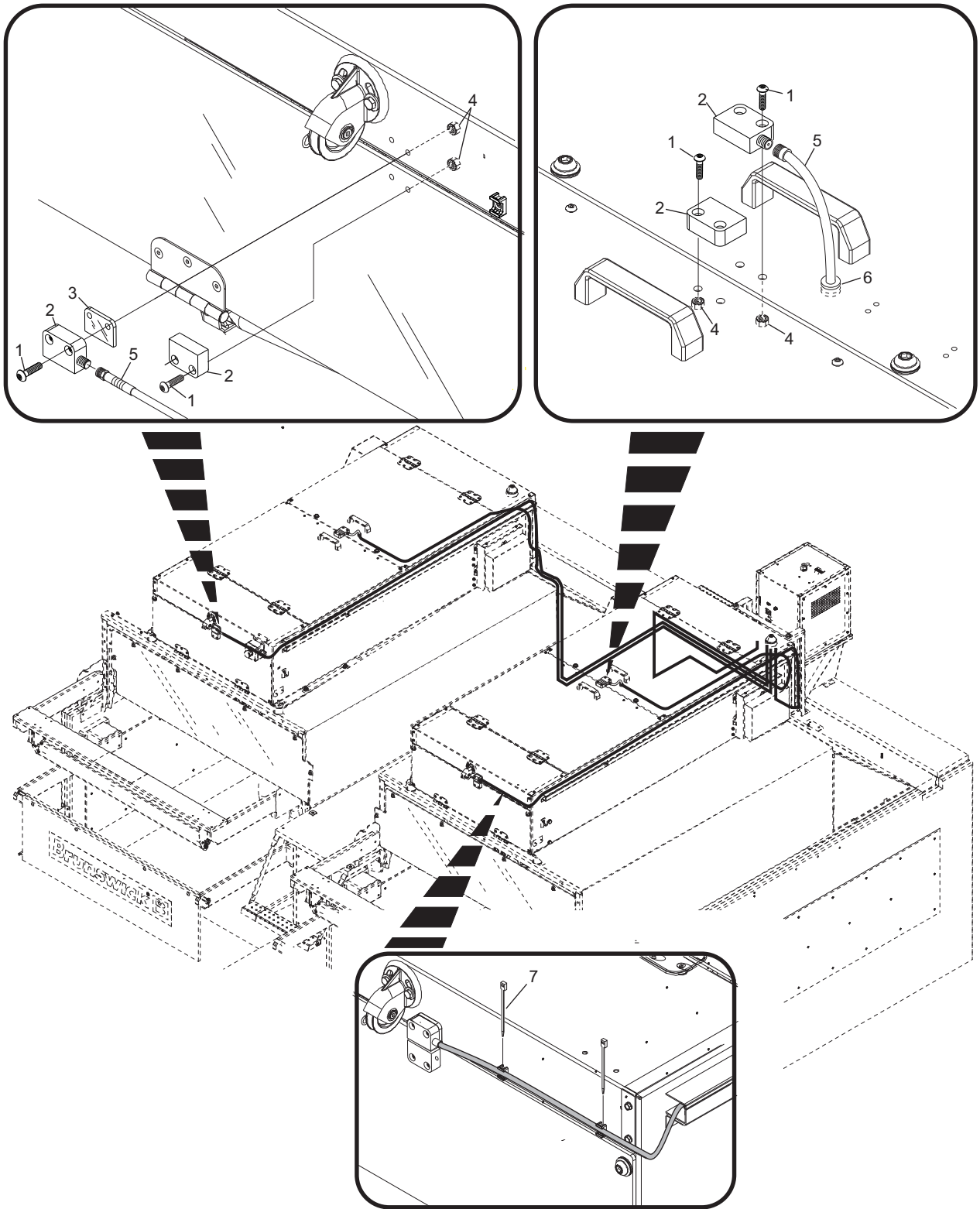
Front Hand Rails and Step



Front Hand Rails and Step

Index No.	Part No.	Package / Order Reference	Description
1.	11-054915-000		Screw TORX Tamper Resistant (M4 x 0.7 mm x 20 mm)
2.	11-696016-000		Interlock Switch / Magnet
3.	55-098263-000		Spacer
4.	11-055477-001		Hex Nut w/External Tooth Lockwasher
5.	55-143079-000		Interlock Cable
6.	99-228264-000		Grommet
7.	11-603119-000		Cable Tie

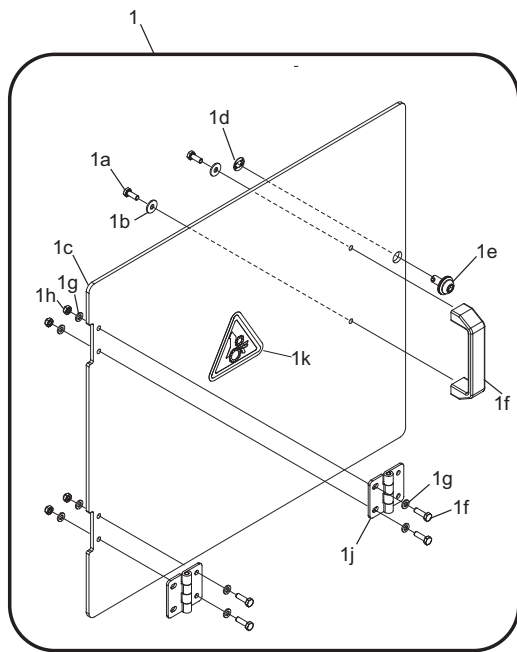
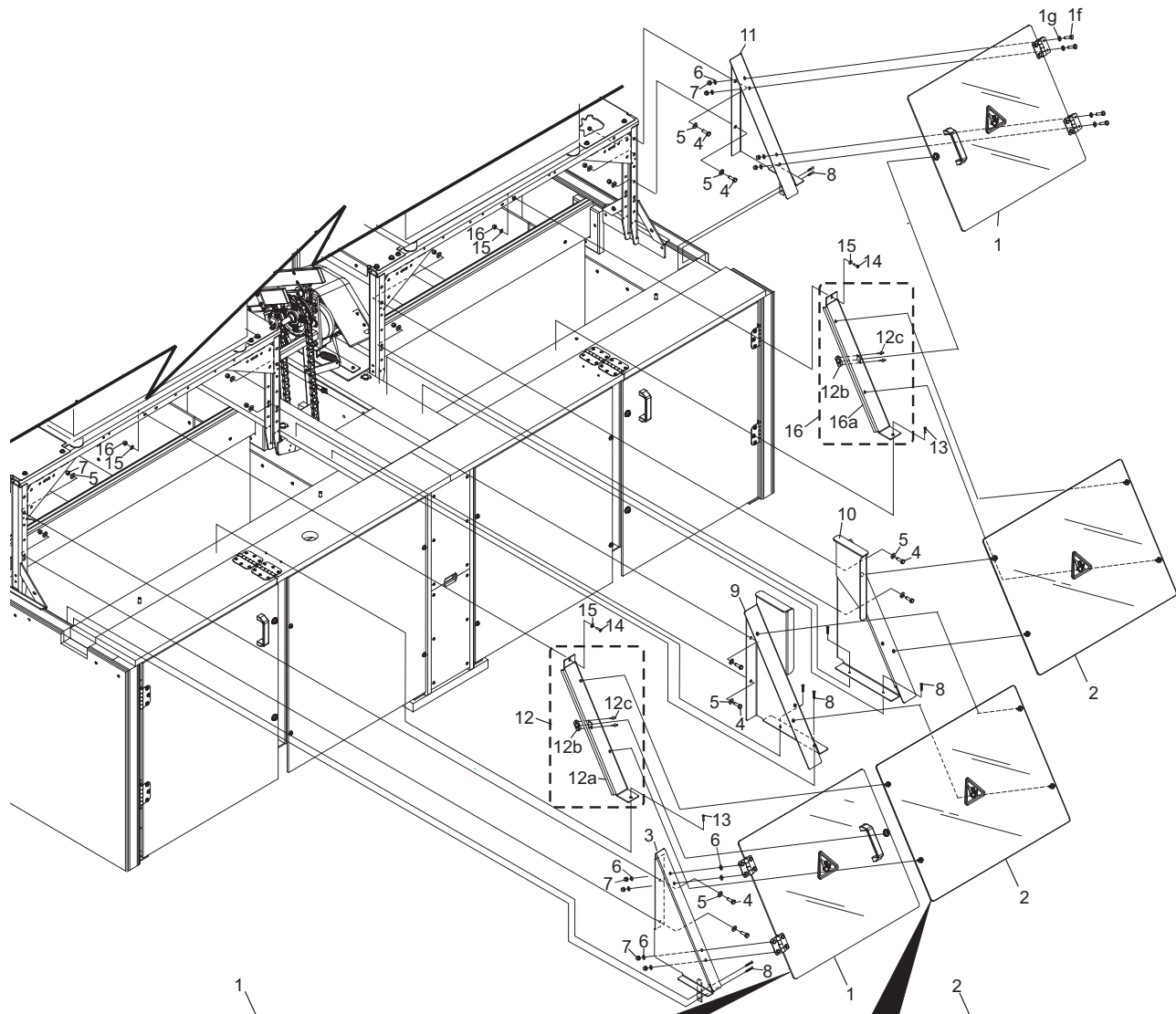
Magnetic Interlocks



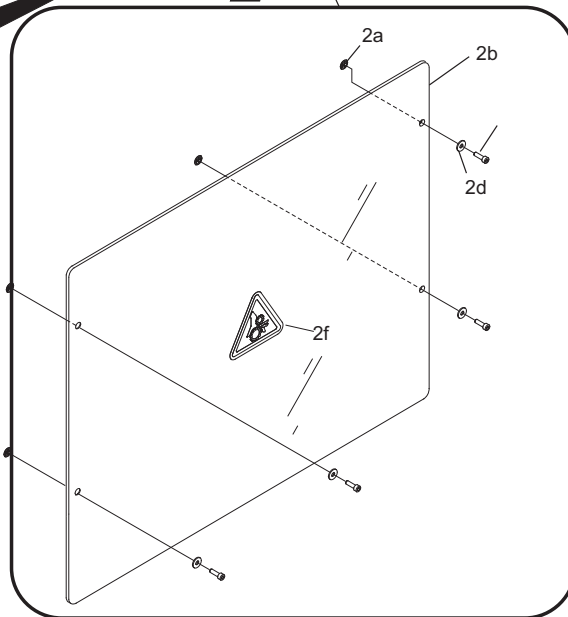
Magnetic Interlocks

Index No.	Part No.	Package / Order Reference	Description
1.	55-098933-009		Package - Rear Opening Top Guard RH (includes Mounting Hardware)
	1a.	11-051035-001	Hex Head Cap Screw
	1b.	11-052037-001	Flat Washer
	1c.	55-098934-000	Guard
	1d.	47-015905-004	Flat Retainer
	1e.	47-051919-004	Hex Head Screw Quick Lock
	1f.	47-085826-004	Handle
	1g.	11-052008-001	Flat Washer
	1h.	11-051743-001	Locknut
	1j.	11-077001-000	Hinge
	1k.	99-268200-003	Safety Label
2.	55-098931-009		Package - Rear Fixed Top Guard
	2a.	11-053426-000	Retaining Ring
	2b.	55-098932-000	Guard
	2c.	11-051520-001	Socket Head Screw
	2d.	11-052307-001	Flat Washer
	2f.	55-098934-000	Safety Label
3.	55-098937-000		Division Side Frame - Right Hand
4.	11-051015-001		Hex Head Screw
5.	11-052006-001		Flat Washer
6.	11-052008-001		Flat Washer
7.	11-051744-001		Locknut
8.	11-051894-001		Torx Self Counter Sink Wood Screw (M5 x 35 mm)
9.	55-098739-000		Ball Return Side Frame - Right Hand
10.	55-098738-000		Side Frame - Right Hand
11.	55-098678-000		Division Side Frame - Left Hand
12.	55-098930-001		Assembly Support Bracket - Right Hand
	12a.	55-098930-000	Support Bracket - Right Hand
	12b.	47-086160-000	Quicklock Receptacle
	12c.	11-053678-003	Rivet
13.	11-051892-001		Torx Self Counter Sink Head Wood Screw - (M4.5 x 25 mm)
14.	11-053781-001		Pan Head Screw (M5 x 20 mm)
15.	11-052039-001		Flat Washer (M10)
16.	55-098928-001		Assembly Support Bracket - Left Hand
	16a.	55-098928-000	Support Bracket - Left Hand

Rear Access Angled Guards



ASSEMBLE APPROPRIATELY FOR
LEFT OR RIGHT HAND USE



RIGHT HAND AND LEFT HAND
(FIXED) GUARD ASSEMBLIES ARE
ASSEMBLED THE SAME

Rear Access Angled Guards

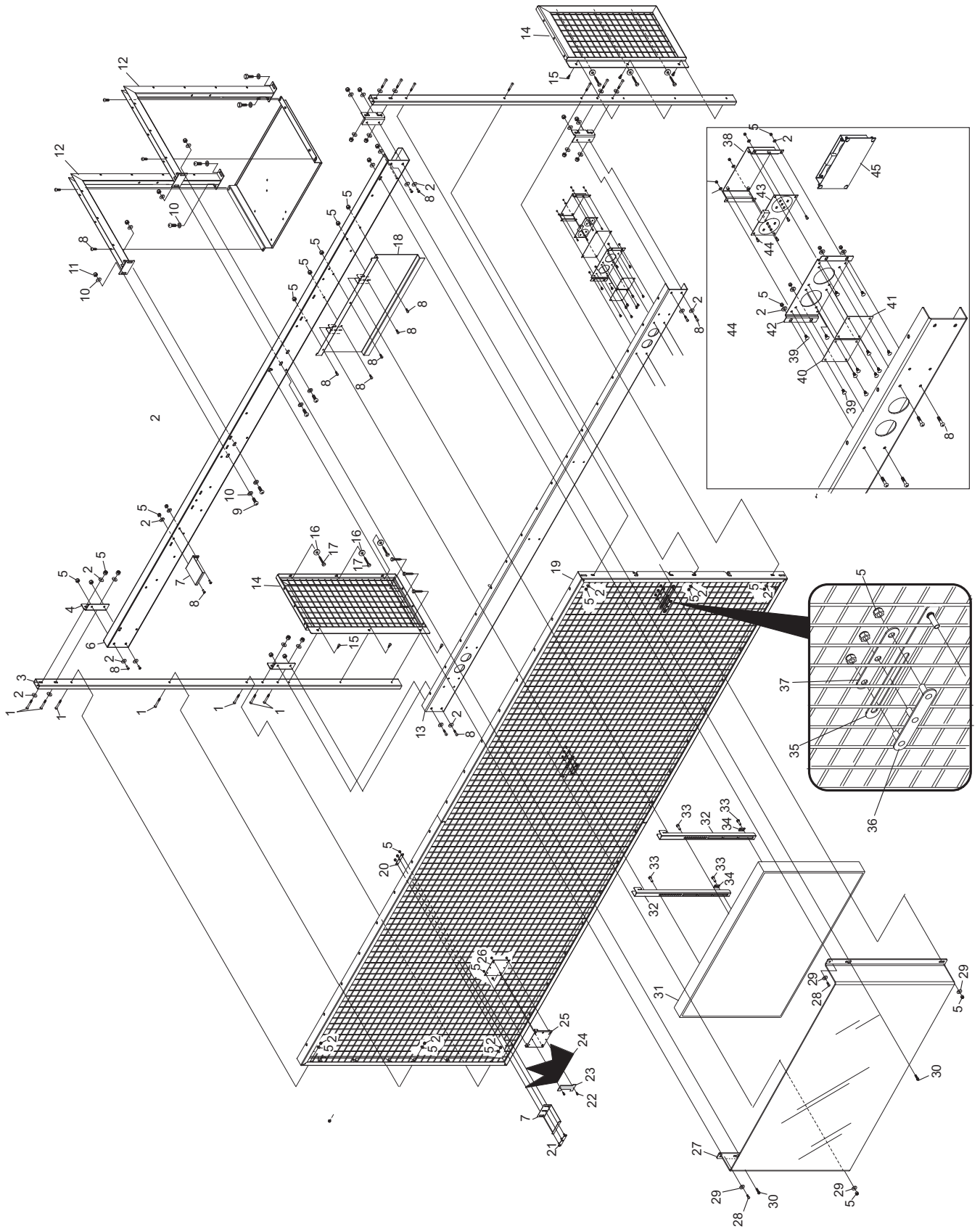
Intentionally Blank Page

Section G

Masking Unit

Index No.	Part No.	Package / Order Reference	Description
1.	11-054807-021		Button Head Cap Screw (M6 x 40 mm)
2.	11-052023-021		(M6 x 40 mm)
3.	53-300433-000		Flat Washer (M10)
4.	53-300443-000		Tube Support
5.	11-051743-001		Header Bracket
6.	53-300435-000		Locknut (M6)
7.	53-300457-000		Display Support Header
8.	11-054803-021		LCD Support Bracket
9.	11-054804-021		Button Socket Head Cap Screw (M6 x 16 mm)
10.	11-052018-021		Button Socket Head Cap Screw (M10 x 20 mm)
11.	11-051745-001		Flat Washer (M20)
12.	53-300444-000		Locknut (M10)
13.	53-300434-000		Support Header Assembly
14.	53-300446-000		Cross Lane Support
15.	11-010016-021		Side Frame Assembly
16.	11-752522-023		Button Head Self Tapping Cap Screw
17.	11-190010-021		Hex Head Lag Screw
18.	53-300440-000		Flat Washer
19.	53-300437-000		Display Mount Plate
20.	53-300449-000		Wire Mesh Frame Assembly
21.	53-300448-000		3-Hole Washer
22.	11-053815-015		3-Stud Plate
23.	53-300451-001		Button Head Screw
	53-300451-002		Lane Number "1"
	53-300451-003		Lane Number "2" (not shown)
	53-300451-004		Lane Number "3" (not shown)
	53-300451-005		Lane Number "4" (not shown)
	53-300451-006		Lane Number "5" (not shown)
	53-300451-007		Lane Number "6" (not shown)
	53-300451-008		Lane Number "7" (not shown)
	53-300451-009		Lane Number "8" (not shown)
	53-300451-010		Lane Number "9" (not shown)
24.	53-300447-000		Lane Number "0" (not shown)
	53-300452-000		Crown Single Digit Lane Number
25.	53-300450-000		Crown Double Digit Lane Number (not shown)
26.	53-300453-000		Mounting Plate
27.	53-300442-000		Plate Washer
28.	11-054825-021		Protective Display Cover
29.	11-052037-021		Button Head Cap Screw (M6 x 20 mm)
30.	11-056105-021		Flat Washer
31.	57-863855-000		Socket Head Cap Screw
32.	53-300441-000		LCD
33.	11-051015-001		Display Hanger
34.	57-500758-000		Hex Head Cap Screw (M8 x 25 mm)
35.	53-300456-000		Washer
36.	53-300448-000		Support Cover
37.	53-300449-000		Attachment Plate
38.	53-300423-000		3-Hole Washer
39.	53-300363-000		Tree Plug
40.	53-300438-002		Green Lens
41.	53-300438-001		Red Lens
42.	53-300436-000		Ball Light Bracket
43.	53-300188-000		Ball light PCB
44.	11-012020-015		Screw Pan Head C.R.
45.	53-300421-000		Light Assembly

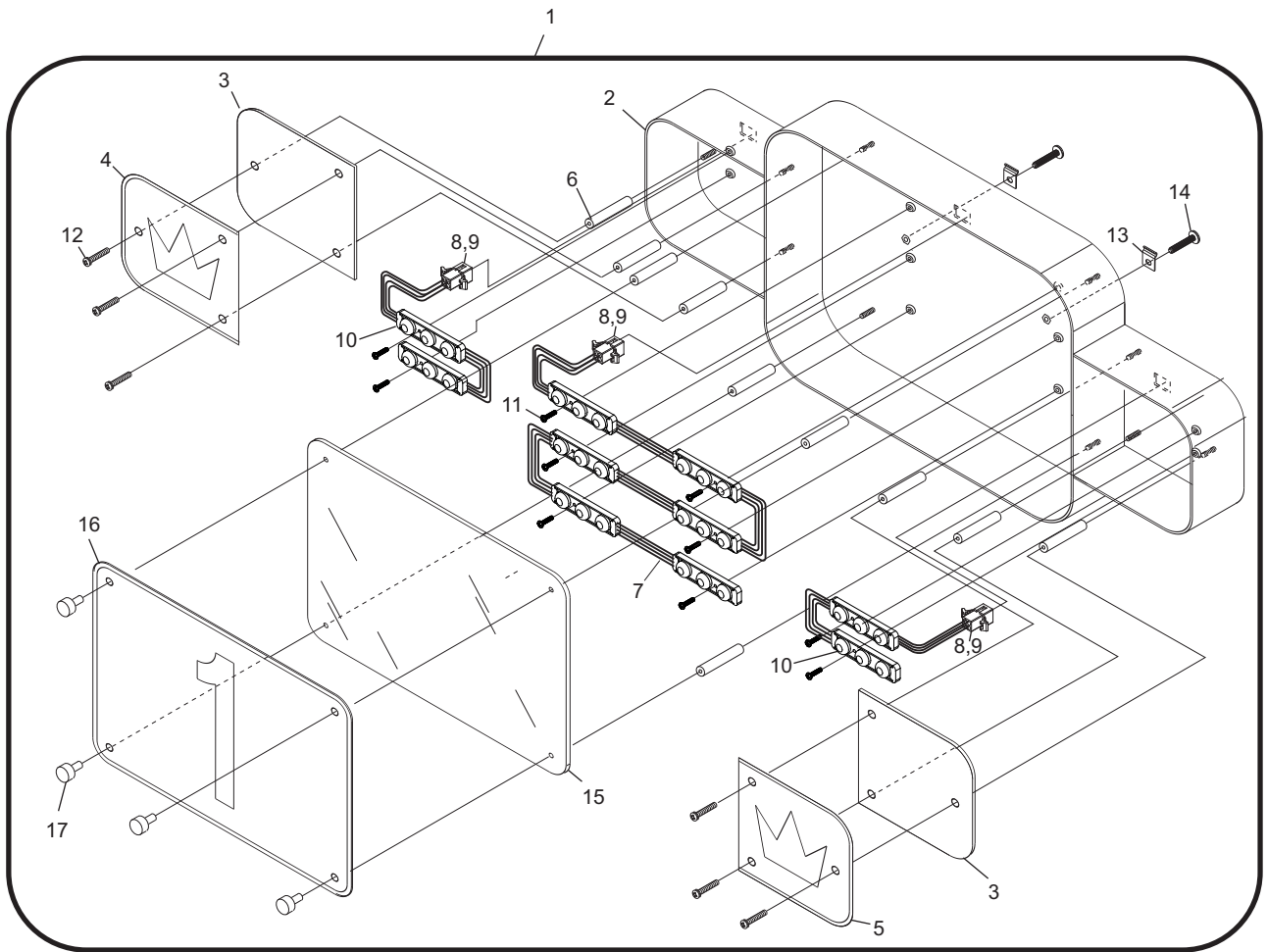
Masking Unit - Duck Pin



Masking Unit - Duck Pin

Index No.	Part No.	Package / Order Reference	Description
1.	53-300468-000		Assembly - Red / Green Lane Light
2.	53-300469-000		Housing
3.	11-052054-001		Side Diffuse Panel
4.	53-300473-000		LH Crown Printed Plate
5.	53-300472-000		RH Crown Printed Plate
6.	53-300475-000		Thread Acrylic Stand-Off (1.75")
7.	55-143110-000		Lane Number LED Cable Assembly - Complete
8.	11-680119-000		Connector Housing Only
9.	11-680302-000		Connector Terminal Only
10.	55-143109-000		Crown LED Cable Assembly - Complete
11.	11-012239-000		Screw Black Oxide (2-56 x 3.75)
12.	11-012238-000		Screw Black Oxide (6-32 x .375)
13.	11-603004-000		Half Clamp
14.	11-024442-000		Screw Recessed Truss Head (6-32 x .75)
15.	53-300474-000		Large Diffuse Panel
16.	53-300470-001		Center Plate - Lane Number "1"
	53-300470-002		Center Plate - Lane Number "2" (not shown)
	53-300470-003		Center Plate - Lane Number "3" (not shown)
	53-300470-004		Center Plate - Lane Number "4" (not shown)
	53-300470-005		Center Plate - Lane Number "5" (not shown)
	53-300470-006		Center Plate - Lane Number "6" (not shown)
	53-300470-007		Center Plate - Lane Number "7" (not shown)
	53-300470-008		Center Plate - Lane Number "8" (not shown)
	53-300470-009		Center Plate - Lane Number "9" (not shown)
	53-300470-010		Center Plate - Lane Number "10" (not shown)
	53-300470-011		Center Plate - Lane Number "11" (not shown)
	53-300470-012		Center Plate - Lane Number "12" (not shown)
	53-300470-013		Center Plate - Lane Number "13" (not shown)
	53-300470-014		Center Plate - Lane Number "14" (not shown)
	53-300470-015		Center Plate - Lane Number "15" (not shown)
	53-300470-016		Center Plate - Lane Number "16" (not shown)
	53-300470-017		Center Plate - Lane Number "17" (not shown)
	53-300470-018		Center Plate - Lane Number "18" (not shown)
	53-300470-019		Center Plate - Lane Number "19" (not shown)
	53-300470-020		Center Plate - Lane Number "20" (not shown)
	53-300470-021		Center Plate - Lane Number "21" (not shown)
	53-300470-022		Center Plate - Lane Number "22" (not shown)
	53-300470-023		Center Plate - Lane Number "23" (not shown)
	53-300470-024		Center Plate - Lane Number "24" (not shown)
17.	11-015042-000		Stand-Off

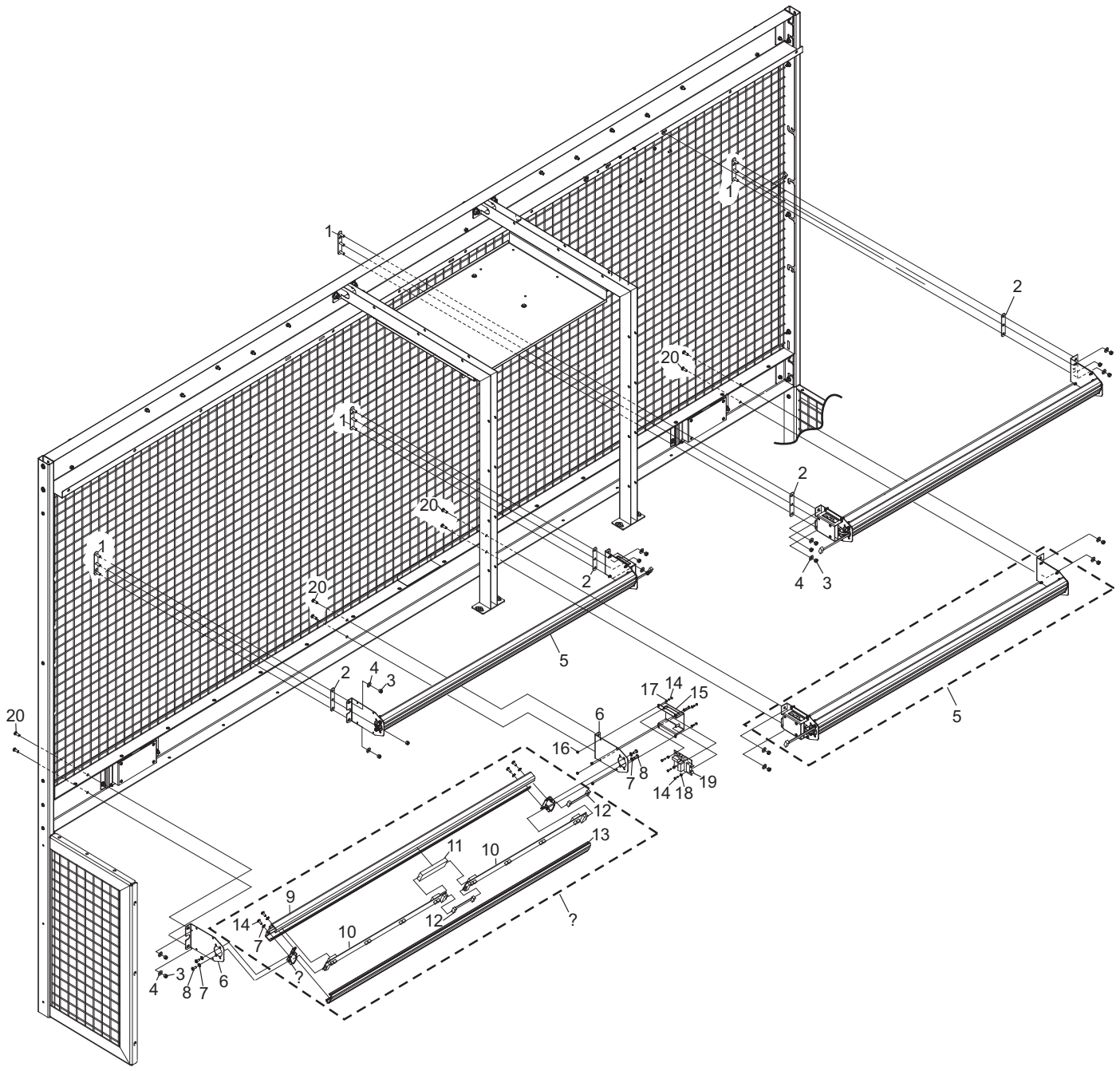
Masking Unit Electronics- Red / Green Light



Masking Unit Electronics- Red / Green Light

Index No.	Part No.	Package / Order Reference	Description
1.	53-300448-000		3-Stud Plate
2.	53-300449-000		3-Hole Washer
3.	11-051743-001		Locknut
4.	11-052023-021		Flat Washer
5.	47-225586-000		Pin Light Assembly - complete
6.	53-300439-000		LED Pin Light Bracket
7.	11-055013-001		External Tooth Washer
8.	11-053788-001		Pan Head Cap Screw
9.	47-226549-000		Enclosure
10.	47-226586-000		PCB
11.	47-226904-000		Starter
12.	47-226409-000		Cable
13.	84-200242-302		Les/Cover
14.	11-053800-001		Screw
15.	47-226856-000		Cover
16.	11-051746-001		Locknut
17.	11-052055-001		Flat Washer
18.	11-055011-001		External Tooth Lockwasher
19.	47-225589-000		PCB
20.	11-054803-021		Button Head Cap Screw

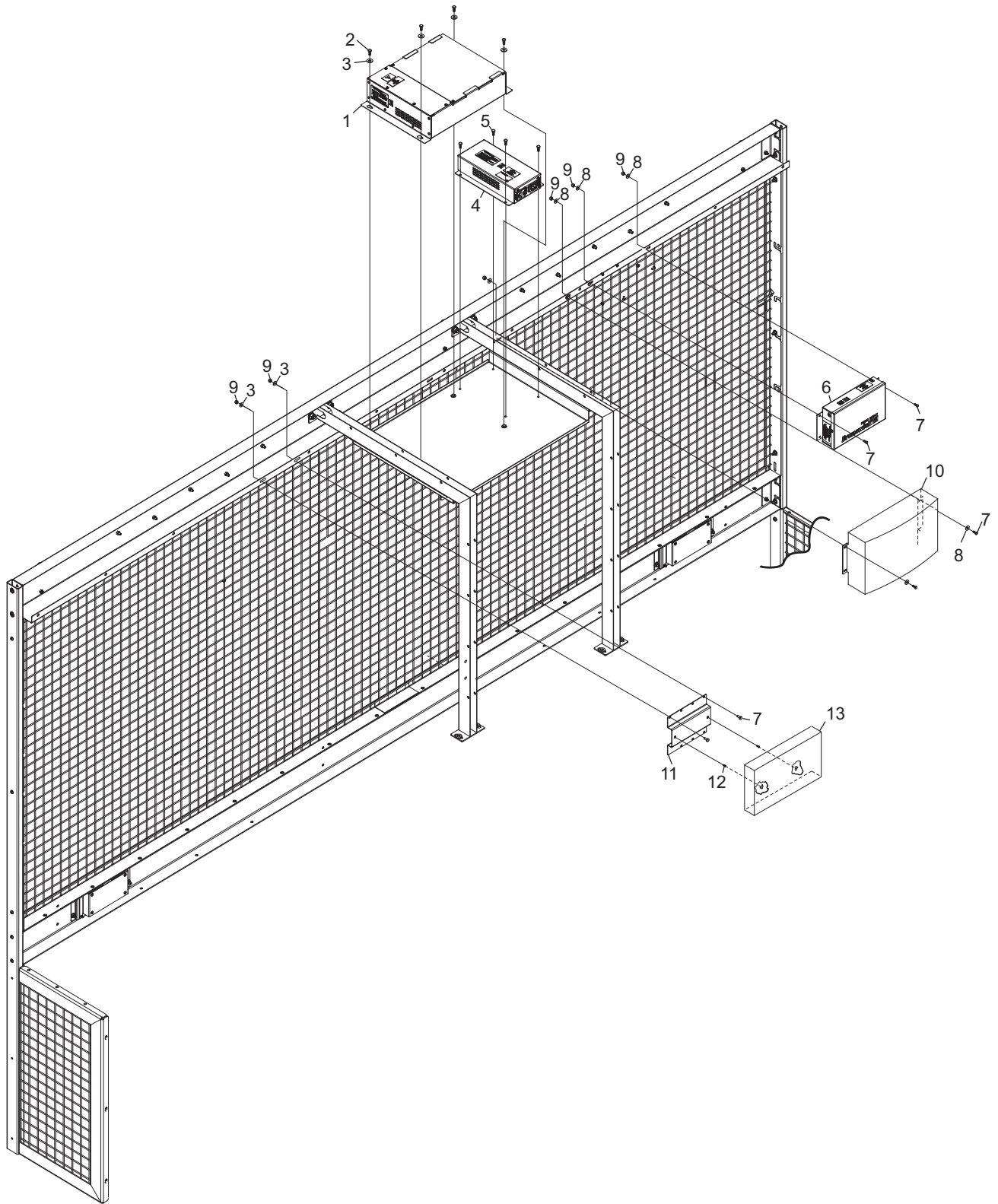
Masking Unit Lights



Masking Unit Lights

Index No.	Part No.	Package / Order Reference	Description
1.	57-501348-401		
2.	11-051111-001		Hex Head Cap Screw
3.	11-052054-001		Flat Washer
4.	57-501345-000		Sync Power Supply
5.	11-051111-000		Hex Head Cap Screw
6.	57-501128-000		Brunswick Power Supply
7.	11-051069-001		Hex Head Cap Screw
8.	11-052054-001		Flat Washer
9.	11-051742-001		Locknut
10.	57-863732-4xx		Box
11.	57-501368-000		Electronics Mounting Plate
12.	-		Screw
13.	57-863724-000		Box

Masking Unit Electronics- Duck Pin



Masking Unit Electronics- Duck Pin

