

Section E

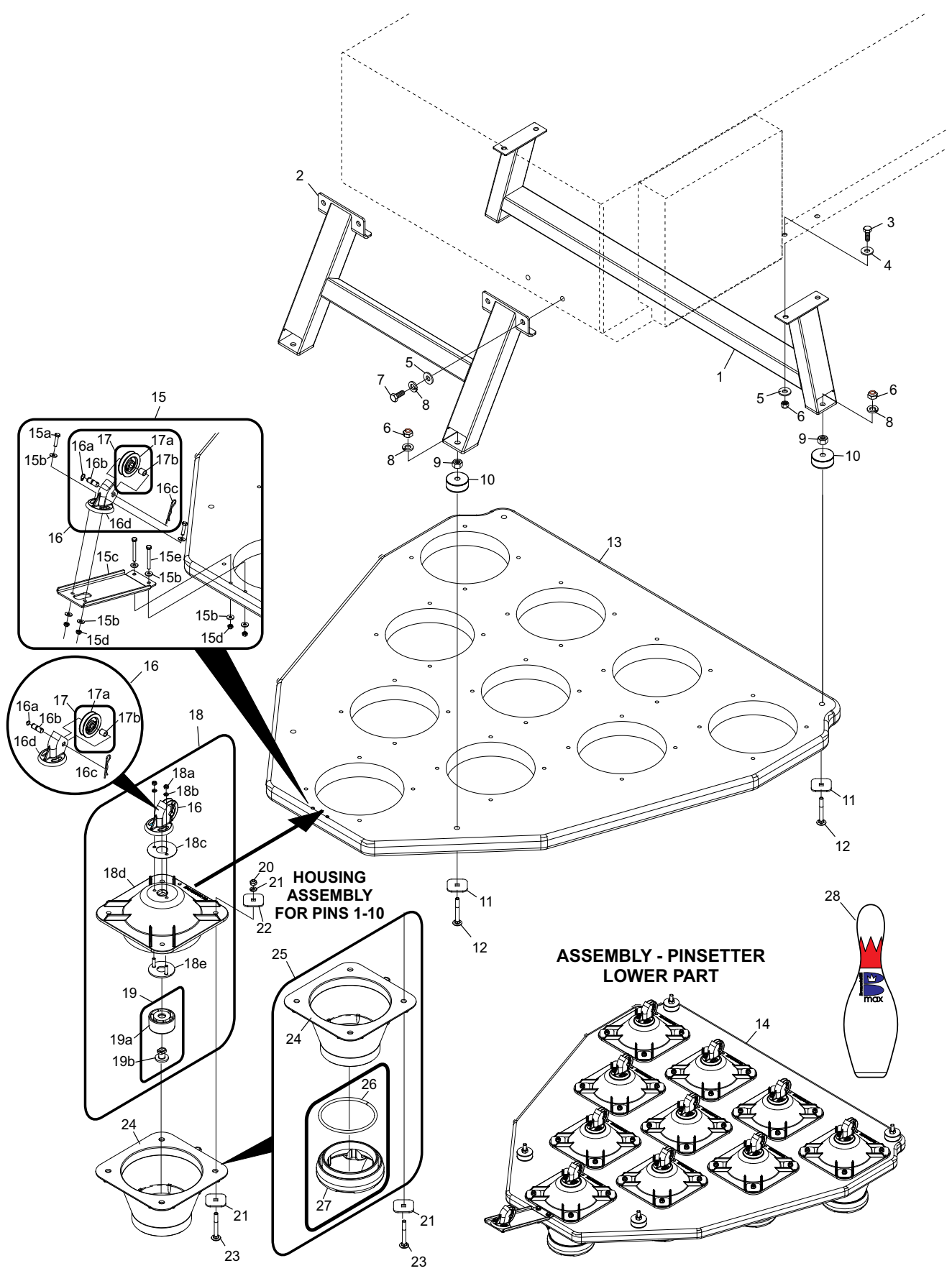
Pin Setting Platform

SECTION REVISION DATE

APRIL 2024

Index No.	Part No.	Package / Order Reference	Description
1.	55-089161-000		Rear Support Frame
2.	55-089162-000		Front Support Frame
3.	11-051015-000		Hex Head Cap Screw
4.	11-052028-001		Flat Washer (M10)
5.	11-052018-000		Flat Washer
6.	11-051745-001		Locknut (M10)
7.	11-051019-001		Screw Hex. Cap. (M10 x 25 mm)
8.	11-051771-001		Lock Washer
9.	11-051703-000		Hex Nut (M10)
10.	55-080383-004		Rubber Bumper
11.	55-082608-000		Square Washer
12.	11-052616-000		Carriage Bolt (M6 x 80 mm)
13.	55-089163-000		Setting Platform
14.	55-279119-009		Assembly - Pinsetter Lower Part
15.	55-279253-009		Front Pulley Assembly
	15a. 11-051028-000		Hex Head Cap Screw
	15b. 11-052048-000		Flat Washer
	15c. 55-279206-000		String Pulley Holder
	15d. 11-051743-001		Locknut
	15e. 11-051023-000		Hex Head Cap Screw (M6 x 55 mm)
16.	11-089400-009		Pulley Assembly
	16a. 11-151855-000		External Retaining Ring
	16b. 55-082031-004		Shaft
	16c. 11-054300-000		Cotter Pin
	16d. 55-089400-000		String Pulley Housing
17.	55-030408-009		Pulley
	17a. 55-030408-004		Pulley - only
	17b. 55-078141-000		Bearing
18.	55-082085-009		Upper Centering Guide Housing Assembly (All Pins)
	18a. 11-051743-001		Locknut
	18b. 11-052048-000		Flat Washer
	18c. 55-082281-004		Pin Head Nut Plate
	18d. 55-082081-001		Upper Centering Guide Housing
	18e. 55-082280-004		Pin Head Mounting Plate
19.	55-088034-009		Pin Head Stop Assembly
	19a. 55-082606-004		Pin Head Stop
	19b. 55-082609-004		Pin Head Support
20.	11-051744-000		Locknut
21.	11-051770-000		Lock Washer
22.	55-082608-004		Square Washer
23.	11-052616-000		Carriage Bolt (M6 x 80 mm)
24.	55-082134-001		Lower Centering Guide
25.	55-088033-009		Lower Centering Guide Assembly
26.	55-082136-004		Centering Guide Ring
27.	55-082135-003		Centering Guide
28.	63-861169-000		Max Crown GID, Single Pin - Drilled
	63-861169-167		Max Crown GID, Set - Drilled
	63-861170-000		Max Red Crown GID, Single Pin - Drilled
	63-861170-167		Max Red Crown GID, Set - Drilled

Boost Setting Platform Assembly - Ten Pin



Boost Setting Platform Assembly - Ten Pin