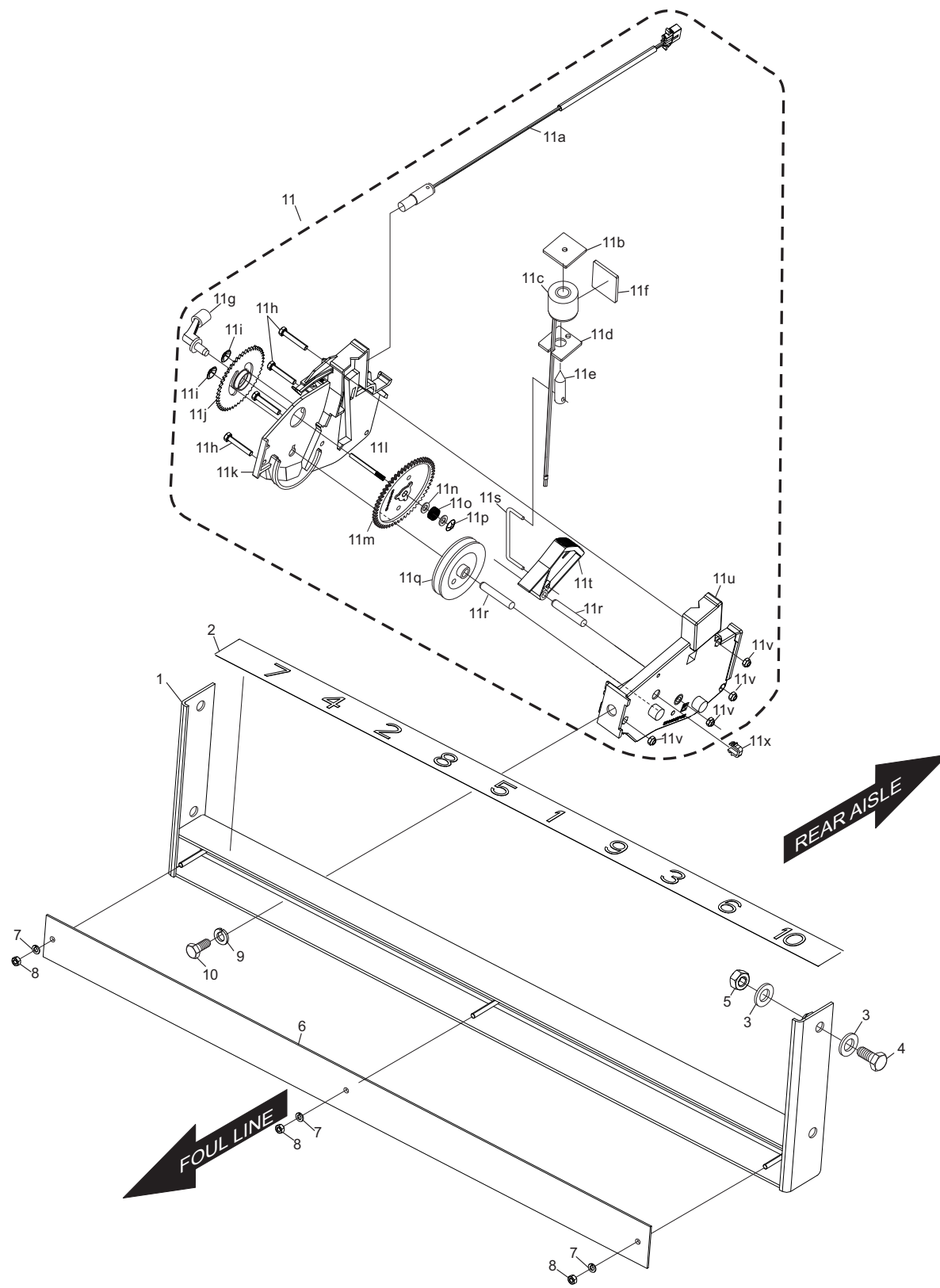


Section D

Pin System

Index No.	Part No.	Package / Order Reference	Description
1.	55-040422-002		Control Holder For Pin Motion Interfaces
2.	55-268152-003		Label - "Numbering"
3.	11-052018-001		Flat Washer (M10)
4.	11-051019-001		Screw Hex. Cap. (M10 x 25 mm)
5.	11-051745-001		Hex Locknut (M10)
6.	55-040554-003		Control Holder Cover
7.	11-051768-001		Lock Washer (M5)
8.	11-051701-001		Hex Nut (M5)
9.	11-051772-001		Lock Washer (M12)
10.	11-051062-001		Screw Hex. Cap (M12 x 25 mm)
11.	55-040426-009		Pin Motion Interface Assembly
	11a. 55-143048-000		Assembly - Pin Motion Interface Reed Switch
	11b. 55-040443-004		Solenoid Bracket
	11c. 55-040478-004		Solenoid
	11d. 55-040440-004		Plunger Bracket
	11e. 55-040437-004		Plunger
	11f. 55-040439-004		Solenoid Bracket
	11g. 55-040434-004		Switch Activator
	11h. 11-051002-001		Screw Hex. Cap. (M5 x 30 mm)
	11i. 11-053481-001		Speed Nut (Quick Lock)
	11j. 55-040433-004		String Adjustment Gear
	11k. 55-040428-001		Outside P. M. Interface Housing
	11l. 55-048013-000		Pin
	11m. 55-040432-004		Switch Gear
	11n. 11-054113-000		Shim Washer
	11o. 99-020164-004		Compression Spring
	11p. 11-053477-001		Speed Nut (Quick Lock)
	11q. 55-040430-004		String Pulley
	11r. 11-054004-001		Roll Pin
	11s. 55-040436-004		Solenoid Link
	11t. 55-040431-004		String Holder Cam
	11u. 55-040427-001		P.M.I. Housing Right Hand
	11v. 11-051742-001		Hex Locknut (M5)
	11x. 99-050166-004		Cable Holder
12.	75-110012-009		String,black - 50 Meter Roll (Not Shown)

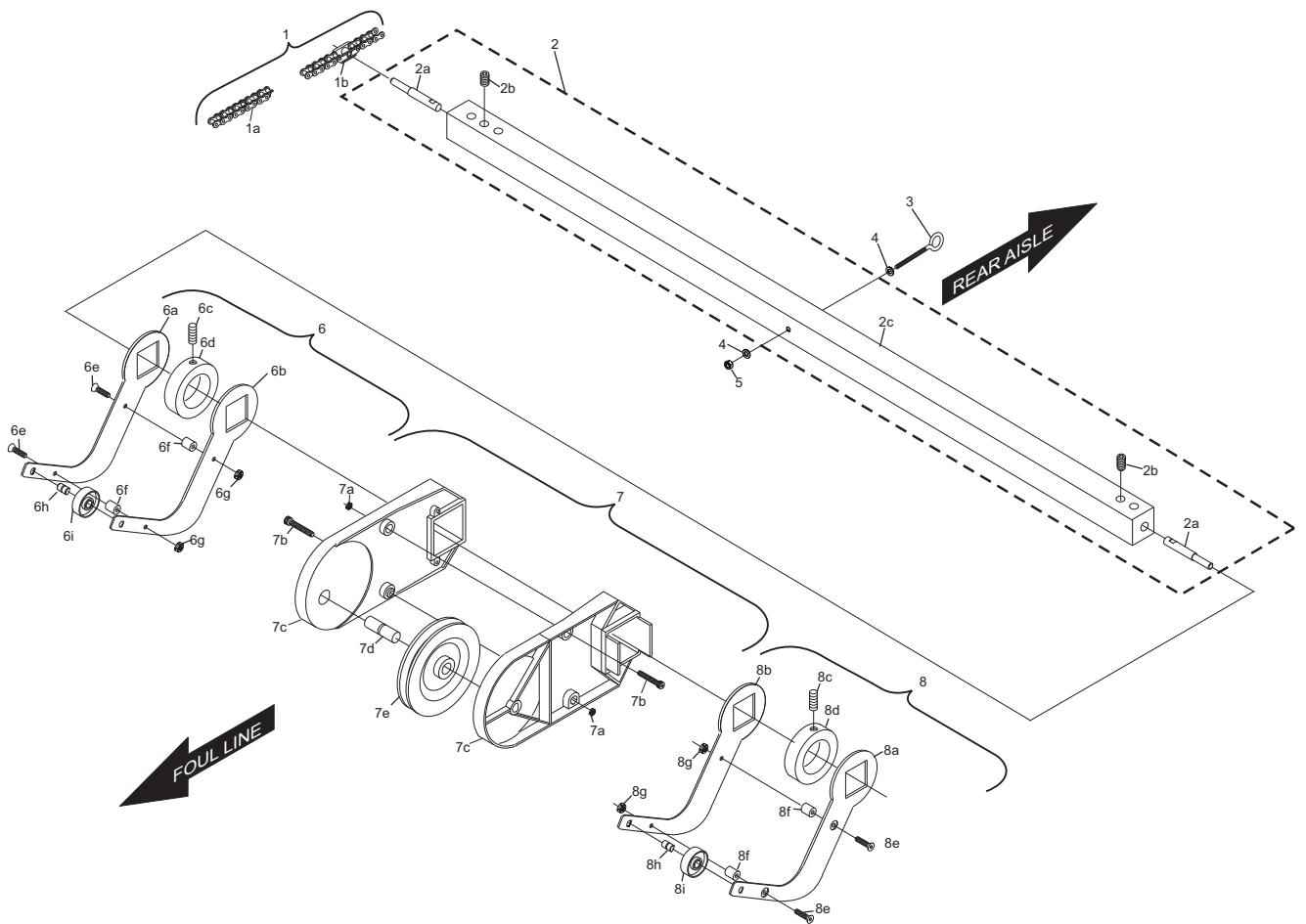
Pin Motion Interface (PMI)



Pin Motion Interface (PMI)

Index No.	Part No.	Package / Order Reference	Description
1.	55-060240-009		Chain Assembly Complete
	1a. 55-060714-004		Roller Chain
	1b. 55-060212-003		Special Link
2.	55-030201-009		Pull Shaft Assembly
	2a. 55-030193-004		Pin
	2b. 11-053101-001		Socket Set Screw (M6 x 8 mm)
	2c. 55-030235-003		Pull Shaft
3.	10-050010-001		Eye Bolt (M6 x 40 mm)
4.	11-052037-001		Flat Washer (M10)
5.	11-051743-001		Hex Locknut (M6)
6.	55-030205-009		Lever Assembly (Left Hand)
	6a. 55-030709-003		Lever (Left Hand)
	6b. 55-030197-003		Common Lever
	6c. 11-053105-001		Socket Set Screw (M6 x 16 mm)
	6d. 55-030195-004		Stop Collar
	6e. 11-052934-001		Socket Screw - Countersunk Flat Head
	6f. 47-051633-004		Spacer Bushing
	6g. 11-051743-001		Hex Locknut (M6)
	6h. 55-030199-004		Roller Axel
	6i. 55-030200-009		Roller
7.	55-030202-009		Return Lever Housing Assembly
	7a. 11-051742-001		Hex Locknut (M5)
	7b. 11-051542-001		Socket Head Cap Screw (M5 x 25 mm)
	7c. 55-030196-003		Return Lever Housing
	7d. 55-030404-004		String Pulley Axel
	7e. 55-030408-009		String Idler Pulley
8.	55-030204-009		Lever Assembly (Right Hand)
	8a. 55-030708-003		Lever (Right Hand)
	8b. 55-030197-003		Common Lever
	8c. 11-053105-001		Socket Set Screw (M6 x 16 mm)
	8d. 55-030195-004		Stop Collar
	8e. 11-052934-001		Socket Screw - Countersunk Flat Head
	8f. 47-051633-004		Spacer Bushing
	8g. 11-051743-001		Hex Locknut (M6)
	8h. 55-030199-004		Roller Axel
	8i. 55-030200-009		Roller

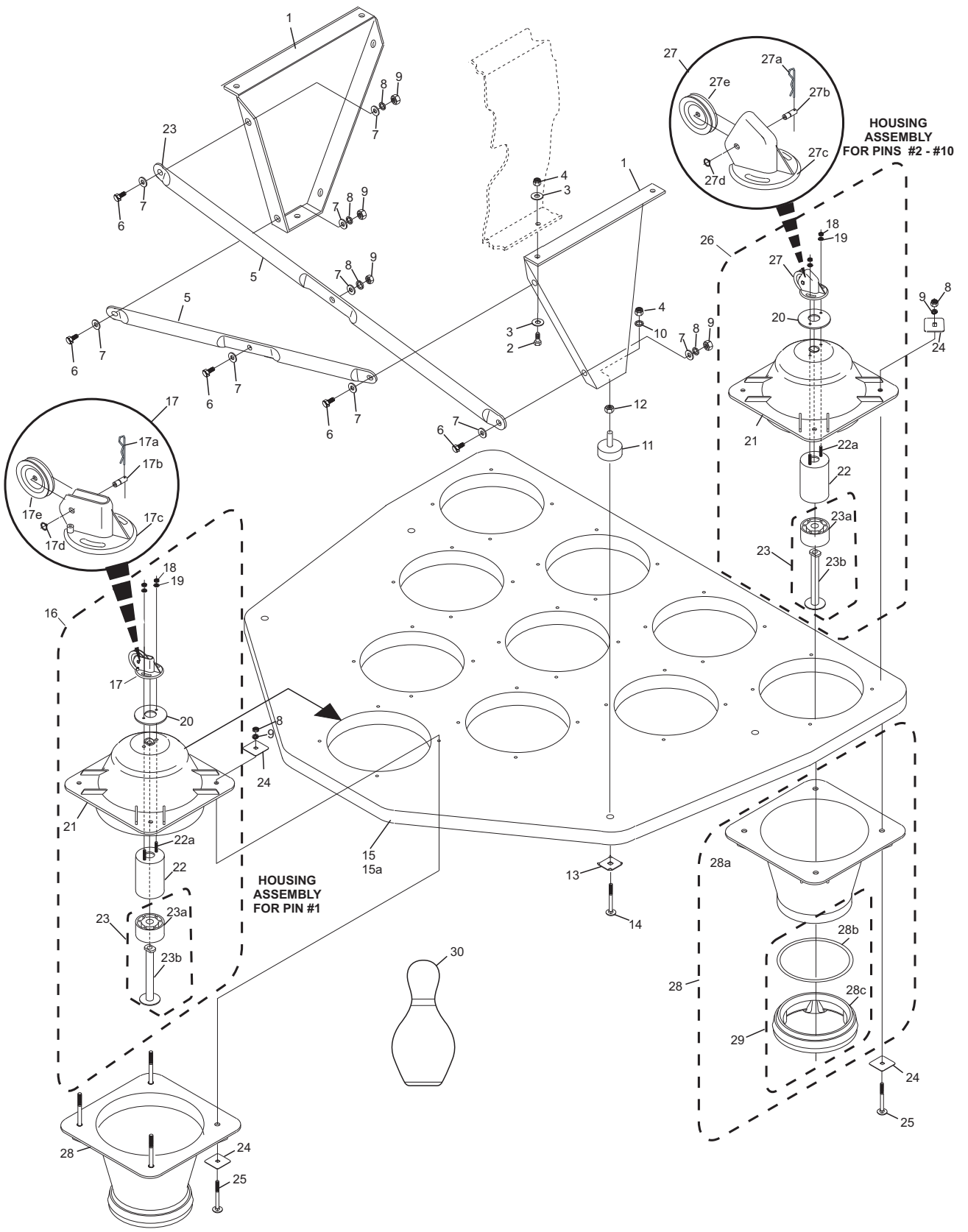
Return Lever Assembly



Return Lever Assembly

Index No.	Part No.	Package / Order Reference	Description
1.	55-081000-002		Platform Support Brace
2.	11-051019-001		Screw Hex. Cap. (M10 x 25 mm)
3.	11-052028-001		Flat Washer (M10)
4.	11-051745-001		Hex Locknut (M10)
5.	55-080239-003		Cross Support Brace
6.	11-051010-001		Screw Hex. Cap. (M8 x 20 mm)
7.	11-052003-001		Flat Washer (M8)
8.	11-051744-001		Hex Locknut (M8)
9.	11-051770-001		Lock Washer (M8)
10.	11-051771-001		Lock Washer (M10)
11.	55-080383-004		Rubber Bumper
12.	11-051703-001		Hex Nut (M10)
13.	55-082531-004		Square Washer
14.	11-052618-001		Metric Carriage Bolt
15.	55-278052-009		Setting Platform Assembly - Complete w/Cones
	15a. 55-082630-001		Setting Platform
16.	55-088307-009		Upper Centering Guide Housing Assembly for Pin #1
17.	55-082271-009		String Pulley Housing Assembly for Pin #1
	17a. 11-054300-000		Metric Spring Cotter
	17b. 55-082031-004		Idler Pulley Shaft
	17c. 55-082282-004		String Pulley Housing for Pin #1
	17d. 11-051855-000		Ring - Retaining, External
	17e. 55-030408-009		String Idler Pulley
18.	11-051743-001		Hex Locknut (M6)
19.	11-052048-001		Flat Washer (M10)
20.	55-082281-004		Pin Head Nut Plate
21.	55-082081-001		Upper Centering Guide Housing
22.	55-088304-000		Spacer - DuckPin Center Cone
	22a. 11-052813-001		Socket Set Screw (M6 x 35 mm)
23.	55-088306-009		Pin Head Stop Assembly
	23a. 55-082606-004		Pin Head Stop
	23b. 55-088305-000		Pin Head Stop Support (DuckPin)
24.	55-082608-004		Square Washer
25.	11-052616-001		Carriage Bolt (M8 x 65 mm)
26.	55-088308-009		Upper Centering Guide Housing Assembly for Pin #2-#10
27.	55-082270-009		String Pulley Housing Assembly for Pin #2 - #10
	27a. 11-054300-000		Metric Spring Cotter
	27b. 55-082031-004		Idler Pulley Shaft
	27c. 55-082279-003		String Pulley Housing for Pin #2 - #10
	27d. 11-051855-000		Ring - Retaining, External
	27e. 55-030408-009		String Idler Pulley
28.	55-088033-009		Lower Centering Guide Assembly
	28a. 55-082134-001		Lower Centering Guide Housing
	28b. 55-082136-004		Centering Guide Ring
	28c. 55-082135-003		Centering Guide.
29.	55-082138-009		Centering Guide Ring Assembly
30.	63-861002-000	63-861001-000	Duckpin - American, Drilled Set of 10

Setting Platform Assembly - Duck Pin



Setting Platform Assembly - Duck Pin