

*Parts Reference*

---

# StringPin Pinsetter

Ten Pin

September 2023/ 55-900002-000

**Brunswick<sup>®</sup>** 

CUSTOMER SERVICE

A tradition in excellence.

## **StringPin Pinsetter Part Reference Catalog**

© September 2023 by Brunswick Bowling Products. All rights reserved.

Reorder Part No. 55-900002-000

Notice: If available, updates to this catalog can be found on-line at [www.brunswickbowling.com](http://www.brunswickbowling.com).

Confidential proprietary information. All information contained in this document is subject to change without notice.

Brunswick Bowling Products  
525 West Laketon Avenue  
Muskegon, MI 49441  
U.S.A.

231.725.3300

# Contents

## Section A Common Parts - Quick Reference

Setting Platform .....	A2
Drive Chain Assembly .....	A3
PMI / String Spool Assemblies .....	A4
Return Lever Assembly .....	A5
Pinsetter Motor / Switch Cluster Assemblies .....	A6
Gate Assembly .....	A7
360 Controller .....	A8
Ball Accelerator .....	A9

## Section B Frame

Frame Assembly .....	B2
Clutch Jam (Tangle) Mechanism .....	B4
Chain Drive Assembly .....	B6
String Lever Assembly .....	B8
Frame - Drive Assembly .....	B10

## Section C Pit / Ball Accelerator / Ball Elevator

Division Kick Backs .....	C2
Ball Return Kick Backs .....	C4
Ball Accelerator Assembly (Subway) .....	C6
Accelerator Box Assembly (Subway) .....	C8
Ball Door/Lock Assembly (Subway) .....	C10
Ball Accelerator (Subway) .....	C12
Ball Accelerator (Subway) .....	C14
Ball Elevator (Surface) .....	C16
Pit Assembly .....	C18
Ball Cushion / Pit Curtain .....	C20

## Section D Pin System

Pin Motion Interface (PMI) .....	D2
Return Lever Assembly .....	D4
Front Gate .....	D6
Setting Platform Assembly - Ten Pin .....	D8
Setting Platform Assembly - Duck Pin .....	D10

## Section E Electronics

Switch Cluster .....	E2
Ball Detect .....	E4
StringPin Pinlight .....	E6
StringPin Pivoting Pinlight .....	E8
360 Controller .....	E10
StringPin 360 Controller Bottom Connection Cabling .....	E12
StringPin 360 Controller Back Connection Cabling .....	E14
String Pinsetter Internal Cabling .....	E16
Pin Station Cable Assembly 55-143009-000 .....	E18
StringPin Switch Cluster Cable Assembly 55-143010-000 .....	E20
StringPin Pinsetter Motor Cable Assembly 55-143011-000 .....	E22
StringPin 360 Controller to PMI 55-143012-XXX .....	E24
StringPin Emergency Stop Box - Rear Mount Cable 55-143013-xxx .....	E26
Ball Accelerator Overload Cable - Rear Mount Cable 55-143014-XXX .....	E28
1st and 2nd Ball LED lights Cable Assembly 55-143015-XXX .....	E30
Foul/Ball lift/ Ball Detect ,Cable Assembly 55-143016-XXX .....	E32
String Pinsetter Mechanic's Stop Switch Cable Assembly 55-143017-000 .....	E34
String Pinsetter Motor Overload Cable Assembly 55-143018-000 .....	E36
String Pinsetter Trouble light Cable Assembly 55-143019-000 .....	E38
StringPin Motor Power, Cable Assembly - Rear Mount Cable 55-143067-XXX .....	E40
String Pinsetter Switch Cluster EXT Cable Assembly 55-143068-XXX .....	E42
String Pinsetter DC Pinlight Cable Assembly 55-143069-XXX .....	E44

**Section F Guards and Safety**

Guards..... F2  
Rear - Ladder, Handrail and Guards ..... F4  
Guards and Doors ..... F6  
Front Hand Rails and Step ..... F8  
Magnetic Interlocks ..... F10



## **Select Only Genuine Brunswick Replacement Parts for Brunswick Equipment**

You purchased the best when you bought Brunswick equipment. Insist on the best in replacement parts. Buy Genuine Brunswick Replacement Parts to keep your equipment in top-notch working condition.

### **Here's why you should insist on Brunswick Replacement Parts for your Brunswick equipment:**

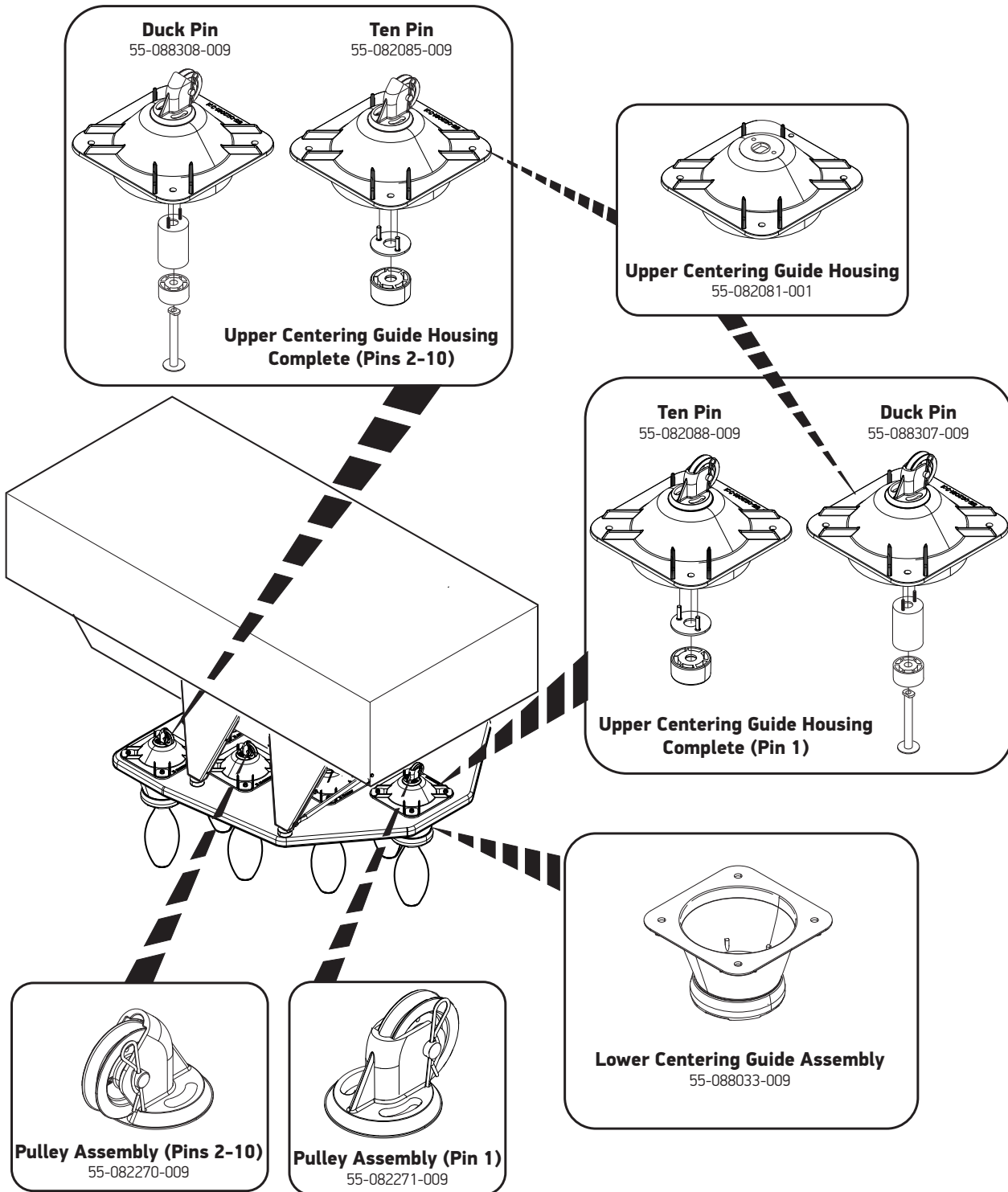
- Only Brunswick replacement parts are guaranteed to be the same, top quality, heavy-duty parts that go into the world's finest equipment by Brunswick.
- Rigid quality control assures maximum protection against part defect or failure.
- Full-time testing of all equipment and continual updating of parts provides the latest improvements.
- Each improved part is designed to be interchangeable with the part it is replacing.
- Efficient cost methods of production and design, reduce the cost of parts.

To place an order contact your certified Brunswick parts distributor or Brunswick at 1-800-YES-BOWL or 231-725-3300. Authorized Brunswick part distributors listings can be found on-line at [www.brunswickbowling.com](http://www.brunswickbowling.com)

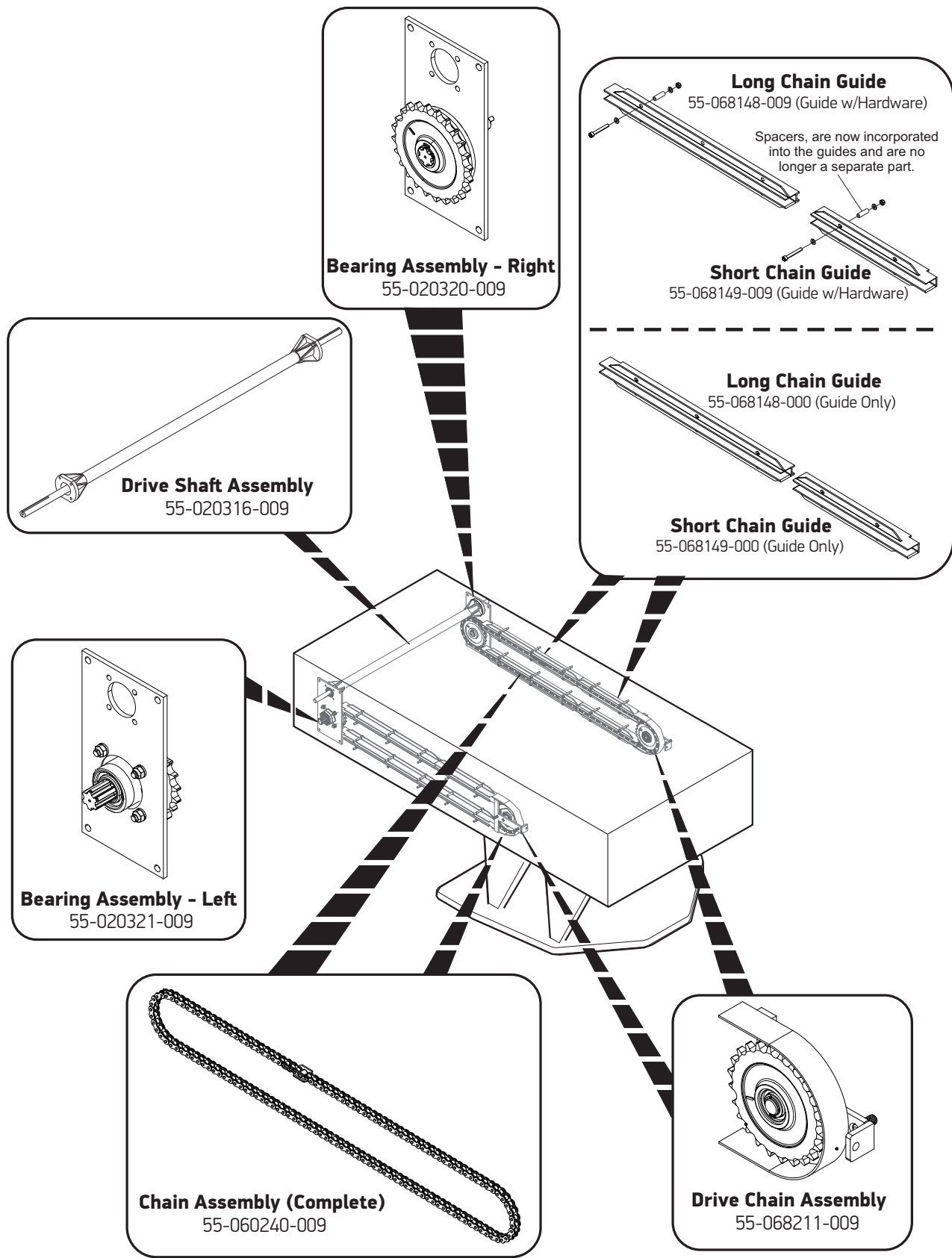
Intentionally Blank Page

**Section A**

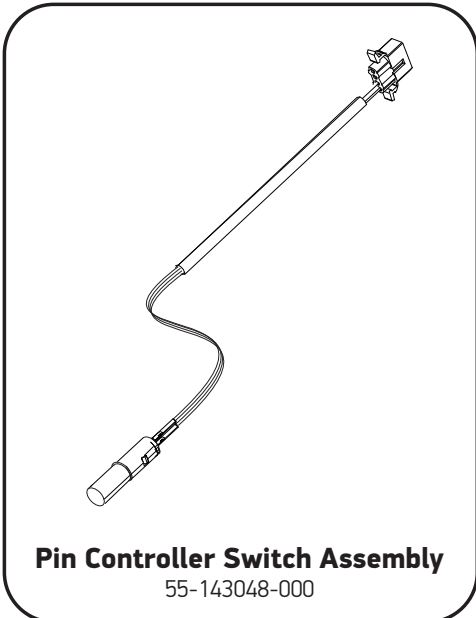
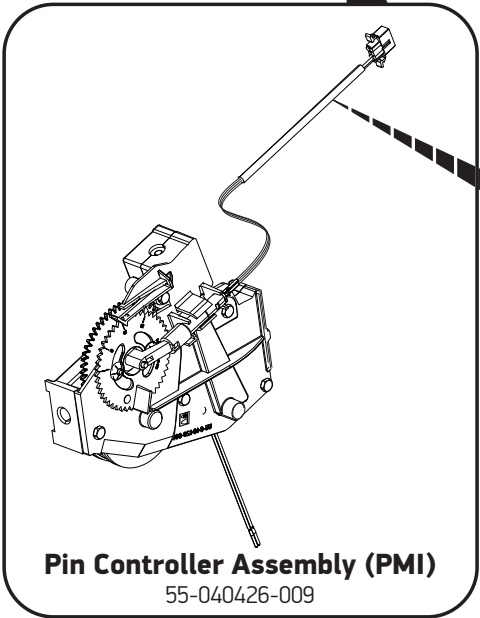
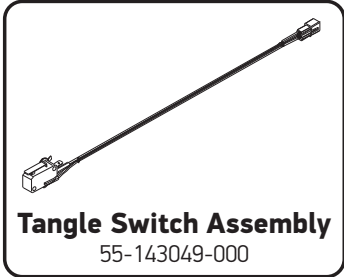
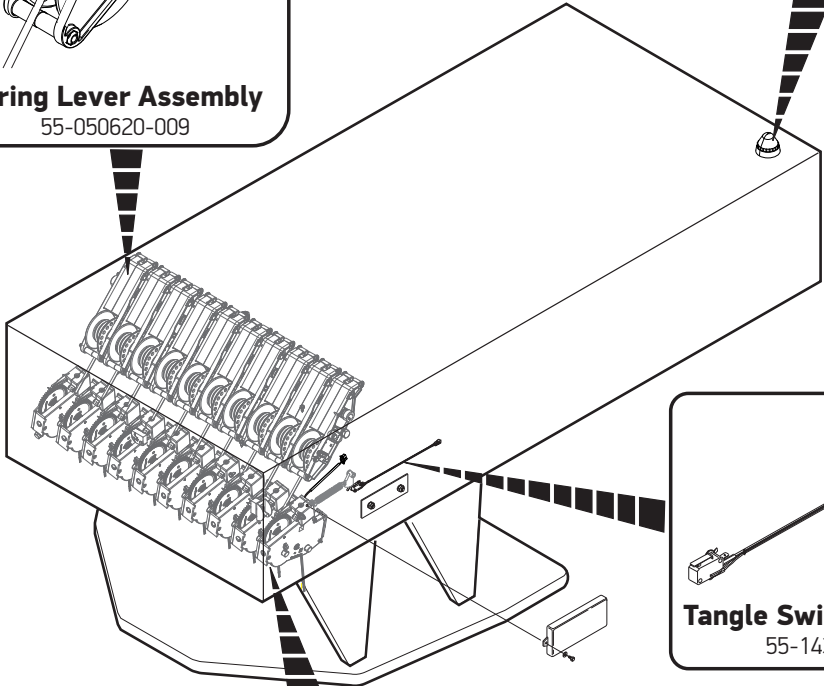
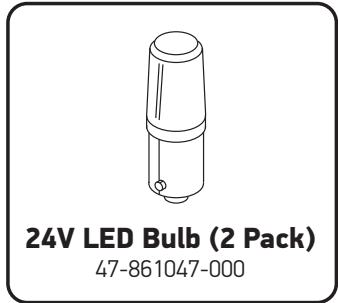
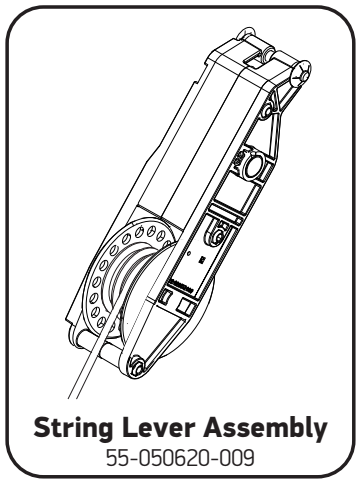
**Common Parts - Quick Reference**



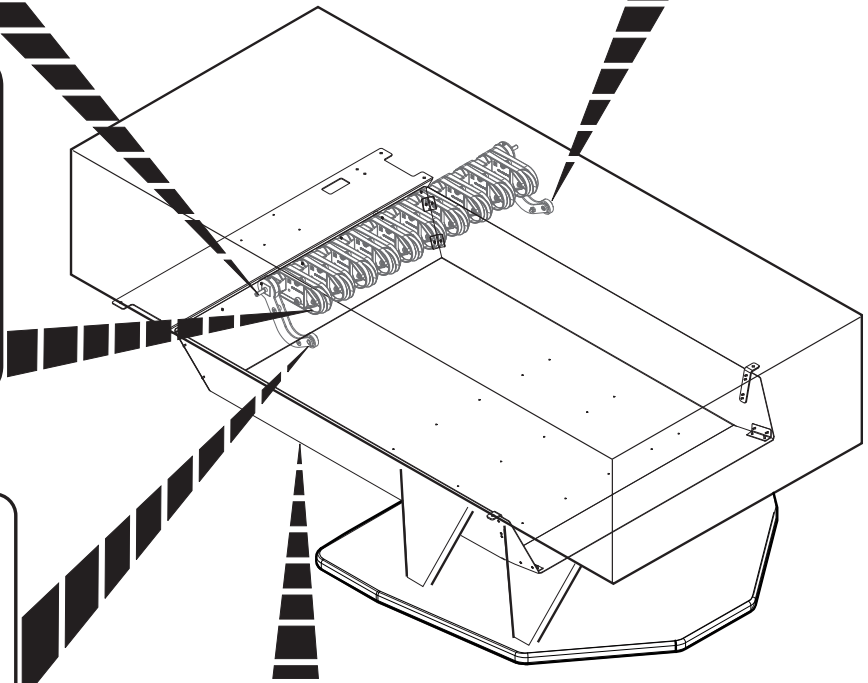
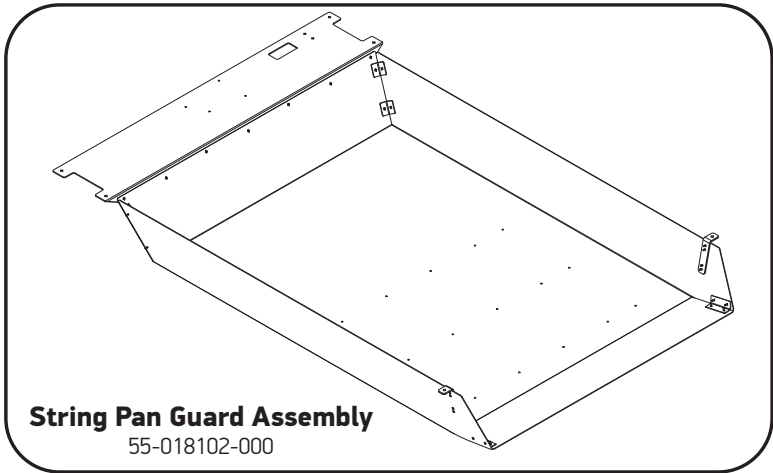
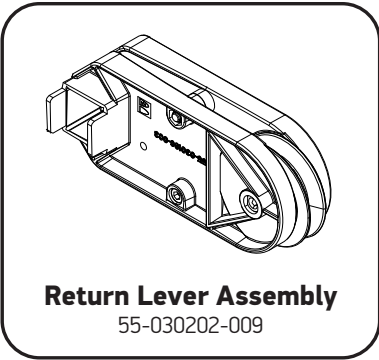
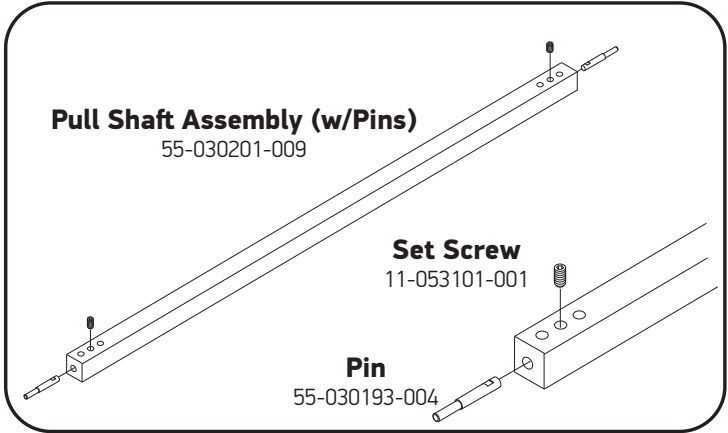
## Setting Platform



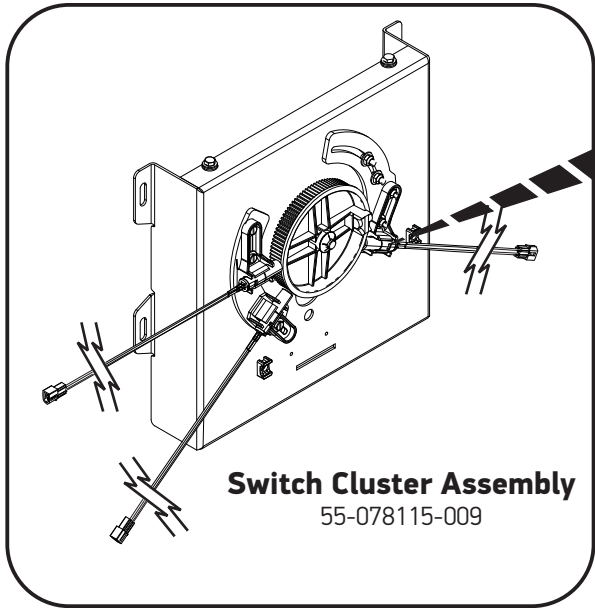
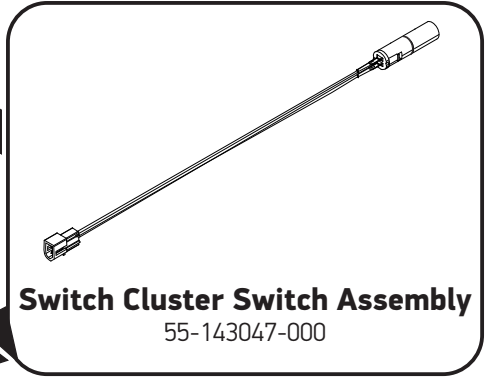
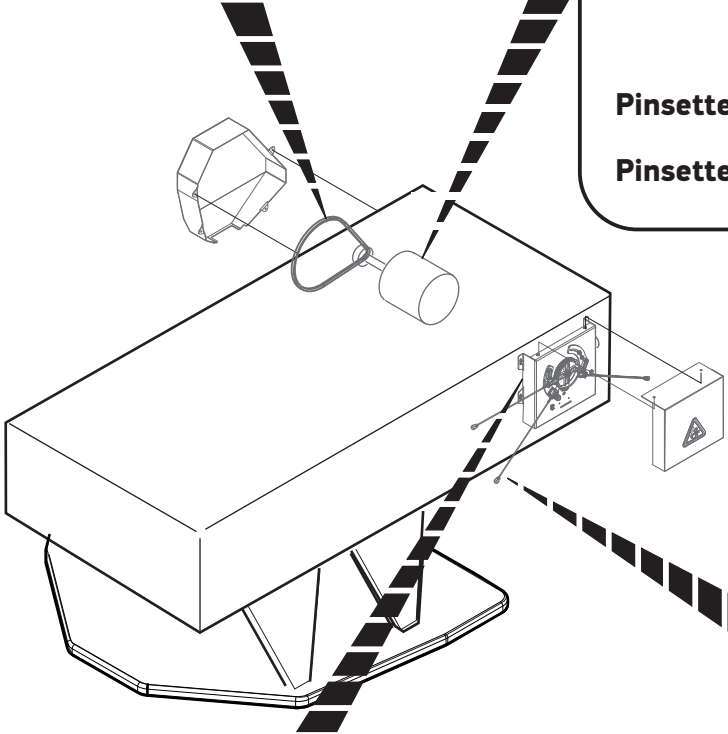
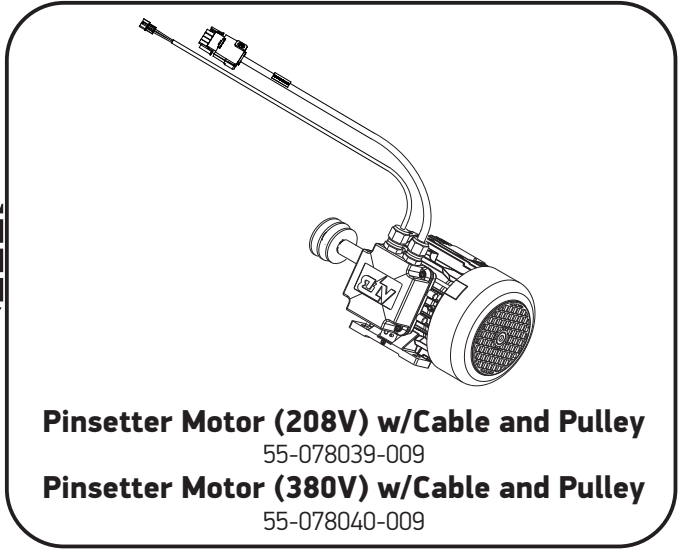
**Drive Chain Assembly**



**PMI / String Spool Assemblies**

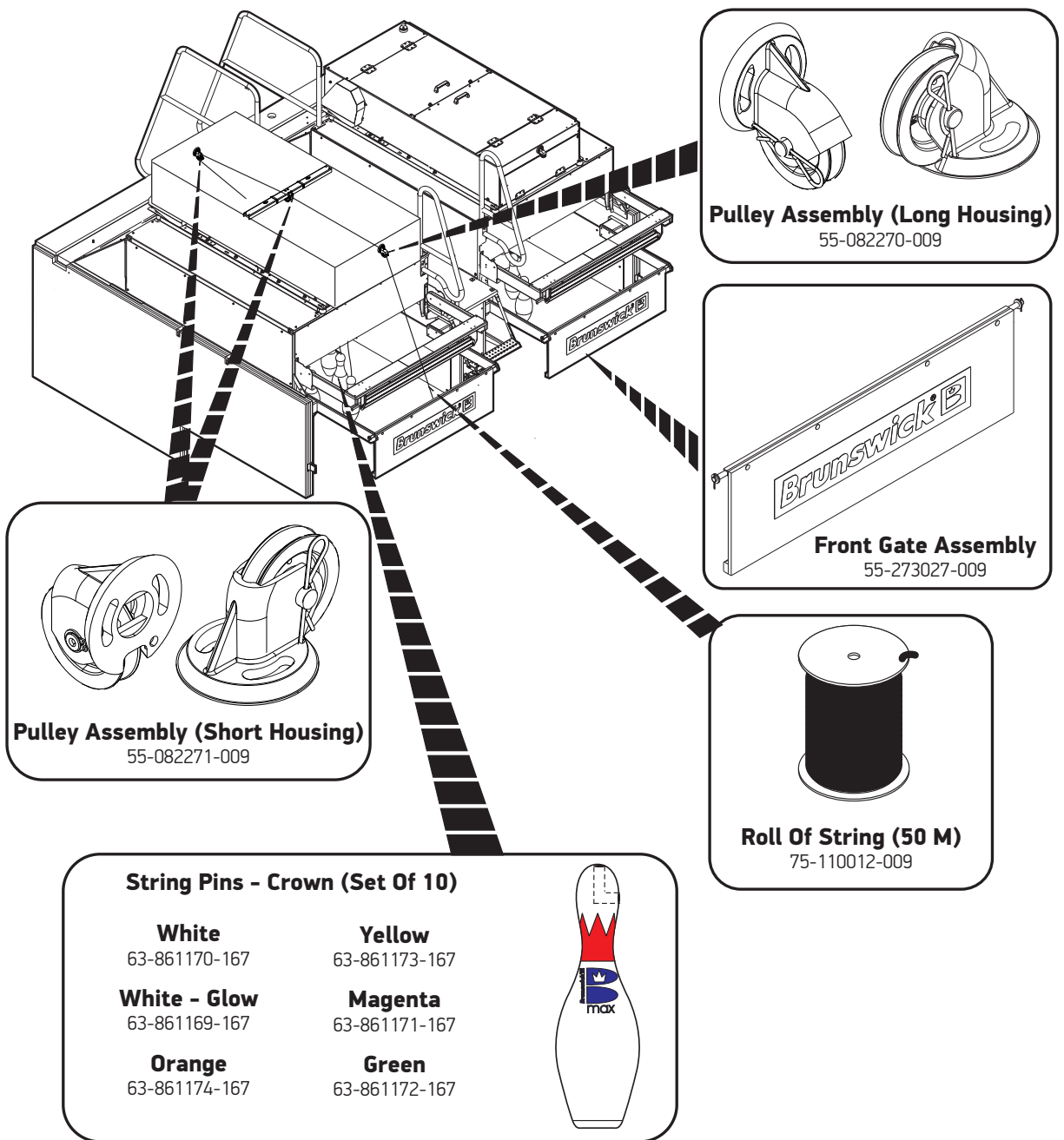


**Return Lever Assembly**

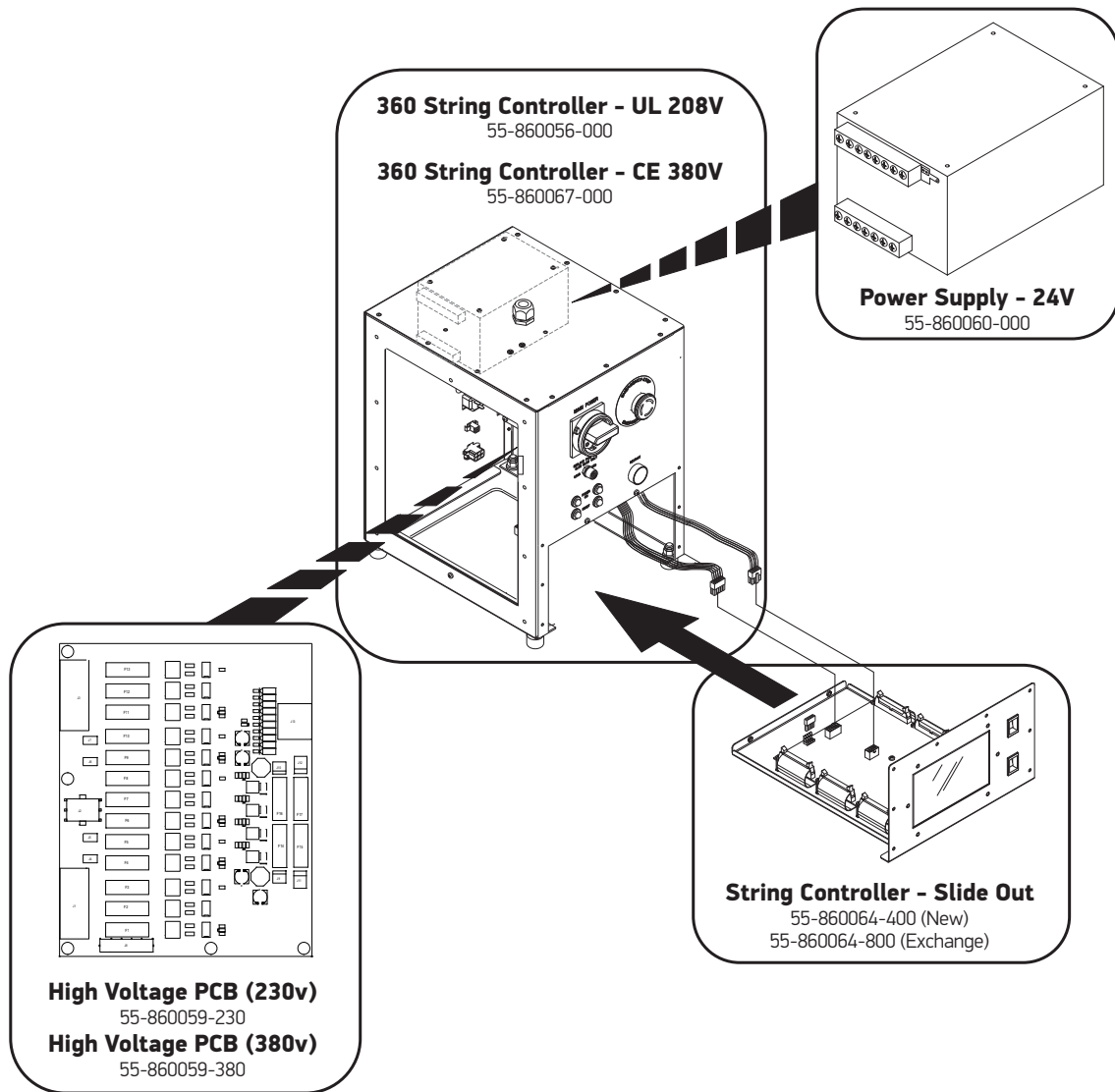


**Pinsetter Motor / Switch Cluster Assemblies**

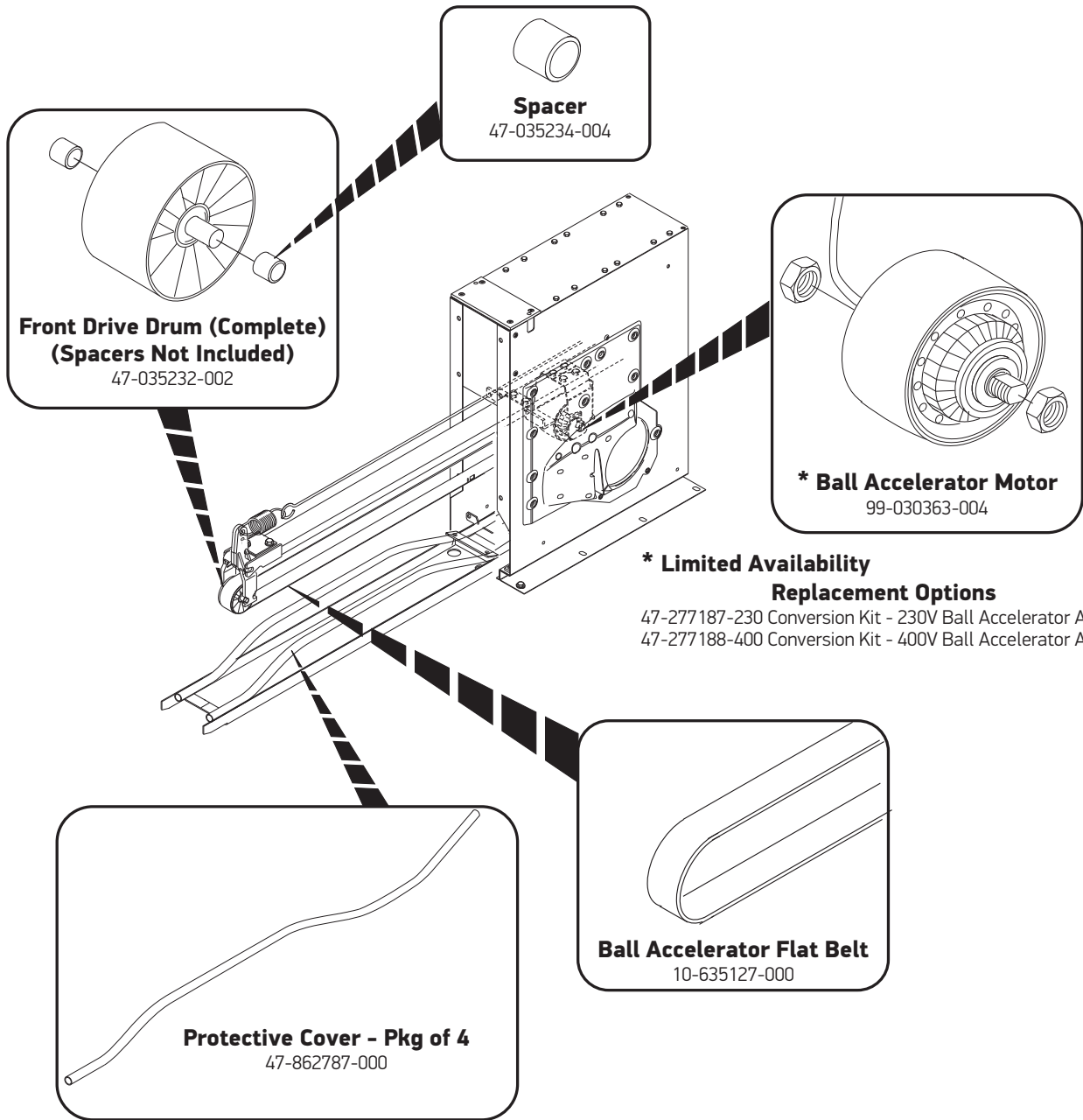




**Gate Assembly**



## 360 Controller



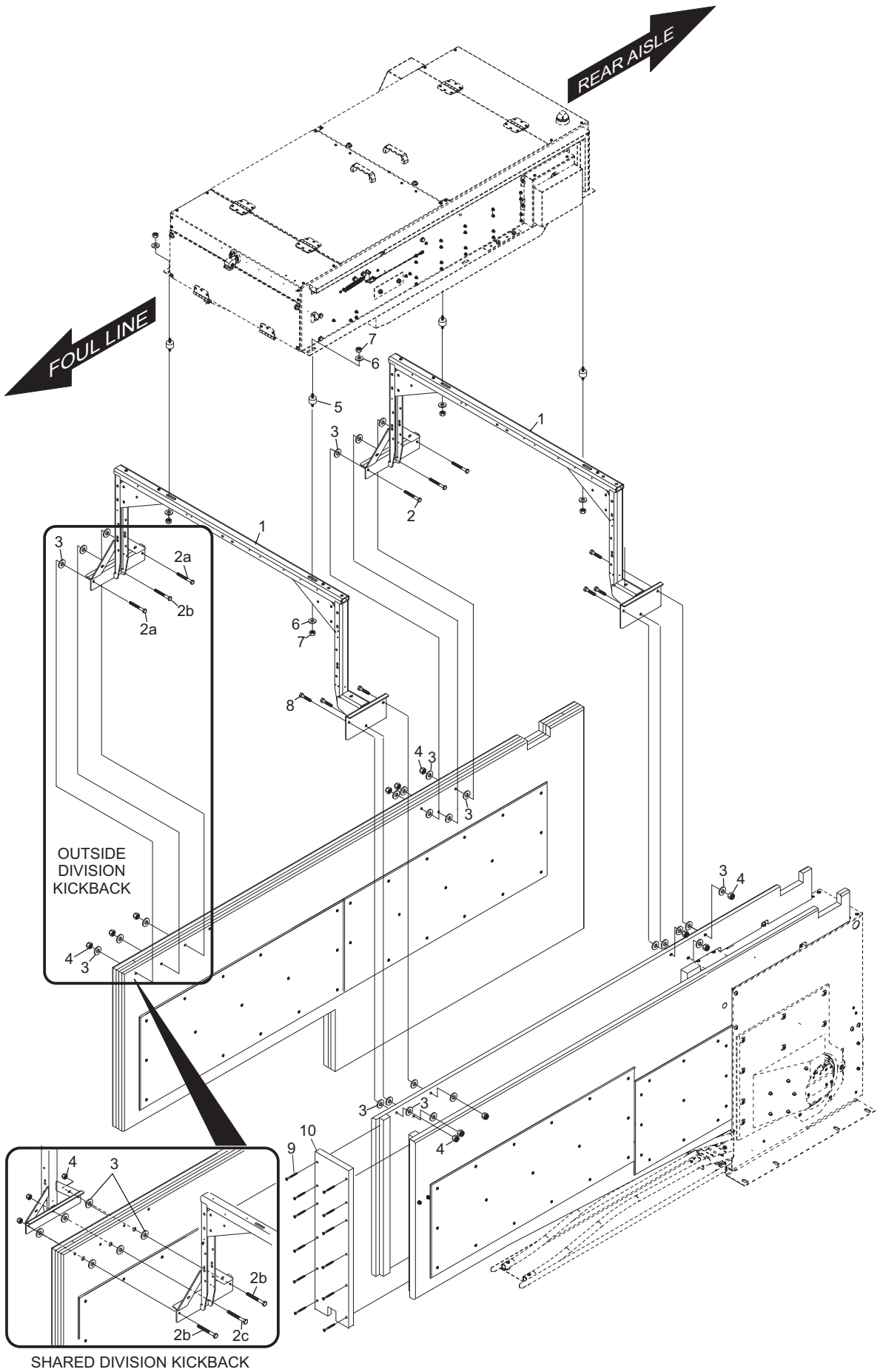
## Ball Accelerator

Intentionally Blank Page

**Section B**

**Frame**

<b>Index No.</b>	<b>Part No.</b>	<b>Package / Order Reference</b>	<b>Description</b>
1.	55-278117-001		Machine Support Frame
2a.	11-051017-001		Hex Head Cap Screw (M8 x 90 mm)
2b.	11-051081-001		Hex Head Cap Screw (M8 x 100 mm)
2c.	11-051107-001		Hex Head Cap Screw (M8 x 110 mm)
3.	11-052016-001		Optional Flat Washers (8 mm x 30 mm x 2 mm)
4.	11-051744-001		Hex Locknut (M8)
5.	55-278022-000		Rubber Bumper Mount
6.	11-052050-001		Flat Washer (10.5 mm x 30 mm x 2.5 mm)
7.	11-051745-001		Hex Locknut (M10)
8.	11-051011-001		Hex Head Cap Screw (M8 x 50 mm)
9.	11-051893-000		T-25 Torx Screws S.C.S.H.W.S. (M5 x 60 mm)
10.	55-278147-000		Front Cover (Black)

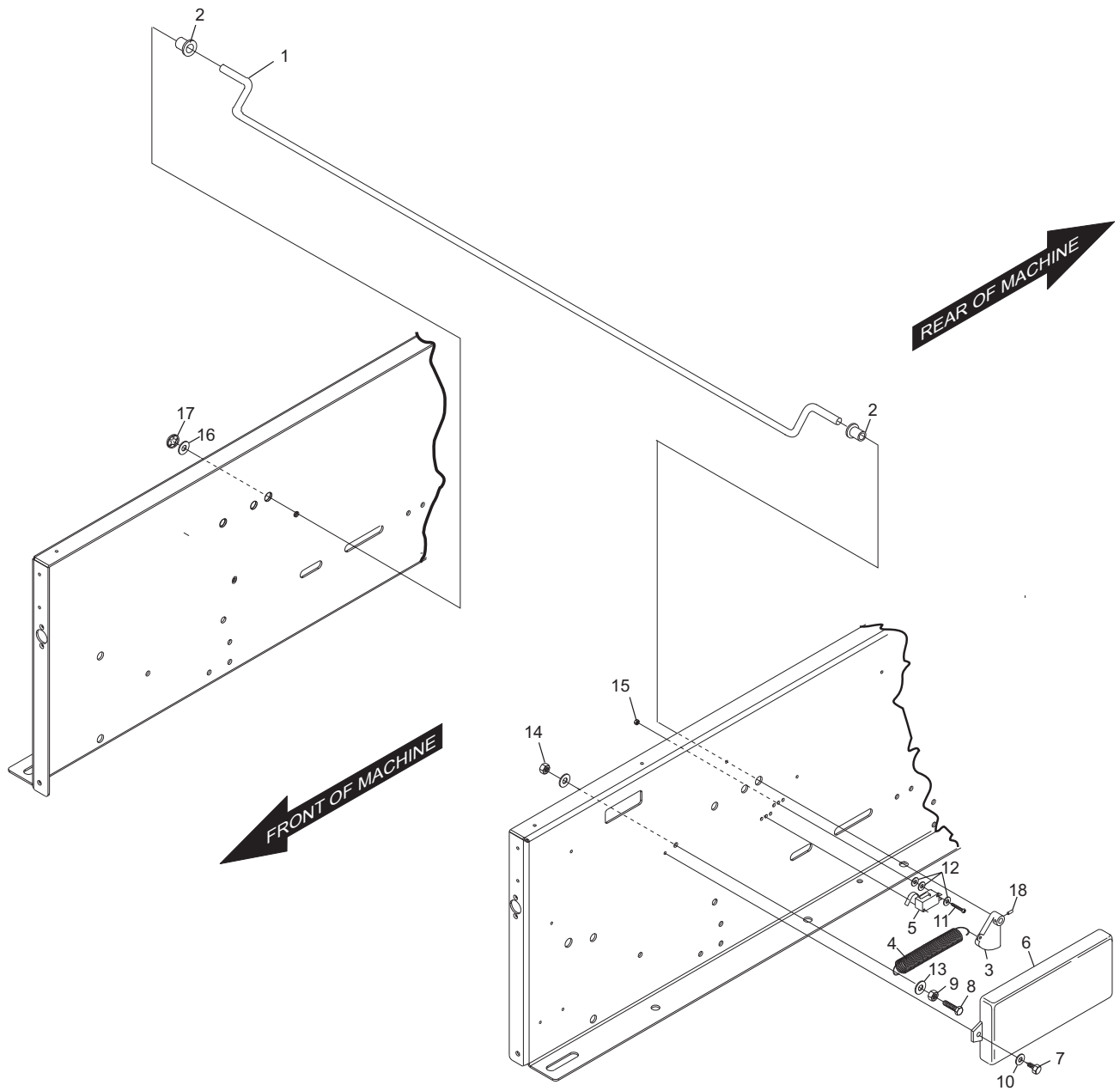


### Frame Assembly

<b>Index No.</b>	<b>Part No.</b>	<b>Package / Order Reference</b>	<b>Description</b>
1.	55-050638-004		Pivot Rod
2.	47-075435-004		Nylon Bushing
3.	55-050613-004		Clutch Jam Cam
4.	55-050636-004		Clutch Spring
5.	55-143049-000		Jam Switch
6.	55-058210-000		Clutch Cover (Black)
7.	11-051069-001		Screw Hex Cap (M5 x 12 mm)
8.	11-051028-000		Hex Hd. Cap Screw (M6 x 25 mm)
9.	11-051702-001		Hex Nut (M6)
10.	11-052020-001		Flat Washer (5.3 mm x 12 mm x 1 mm)
11.	11-052214-001		Machine Screw (M3 x 20 mm)
12.	11-052058-000		Flat Washer (3.2 mm x 9 mm x .8 mm)
13.	11-052008-001		Flat Washer (6.4 mm x 12 mm x 1.6 mm)
14.	11-051743-001		Self Locking Hex Nut (M6)
15.	11-051746-001		Self Locking Hex Nut (M3)
16.	11-052003-001		Flat Washer (8.4 mm x 16 mm x 1.6 mm)
17.	11-053478-001	47-861050-000	Speed Nut (Quick Lock #17), Pkg Qty - 10
18.	11-052681-001		Spring Pin (3 mm x 16 mm)

## Clutch Jam (Tangle) Mechanism



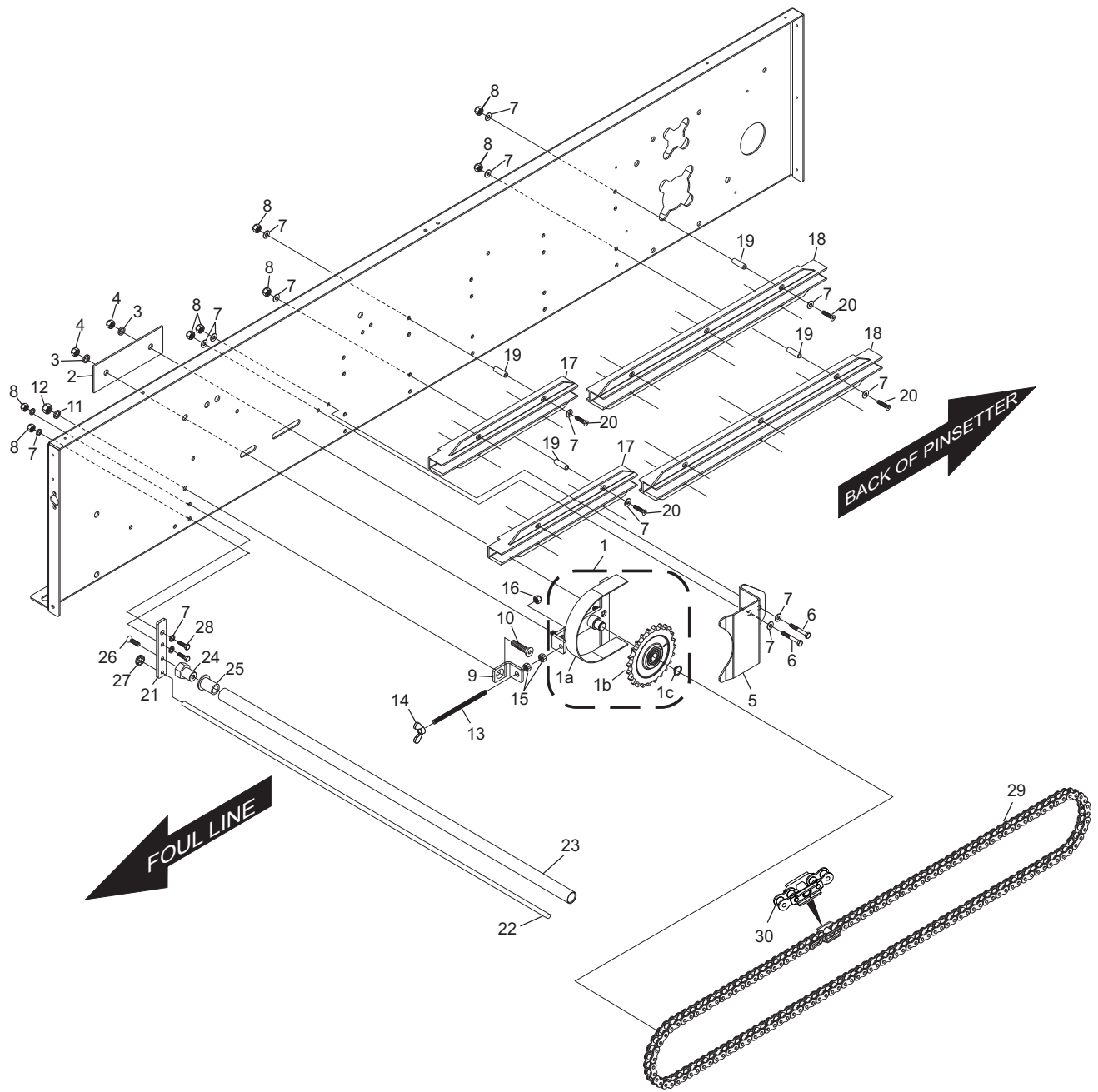


### Clutch Jam (Tangle) Mechanism

Index No.	Part No.	Package / Order Reference	Description
1.	55-068211-009		Drive Chain Guard Assembly
	1a. 55-068010-000		Drive Chain Guard
	1b. 55-060208-003		Sprocket
	1c. 11-051852-000		Retaining Ring - External (17 mm)
2.	55-060207-003		Tension Bracket
3.	11-051771-001		Lockwasher (M10)
4.	11-051745-001		Hex Lock Nut (M10)
5.	55-068011-000		Drive Chain Guard (Cover)
6.	11-051035-001		Hex Hd. Cap Screw (M6 x 16 mm)
7.	11-052008-001		Flat Washer (6.4 mm x 12 mm x 1.6mm)
8.	11-051743-001		Hex Lock Nut (M6)
9.	55-068133-004		Support Plate (Bracket) for Drive Chain Guard
10.	11-052927-001		Flat Sink Hd. Socket Screw (M8 x 20 mm)
11.	11-052003-001		Flat Washer (8.4 mm x 16 mm x 1.6 mm)
12.	11-051744-001		Hex Lock Nut (M8)
13.	55-068132-004		Threaded Rod (M8 x 155 mm)
14.	11-149045-001		Wing Nut (M8)
15.	11-051704-001		Hex Nut (M8)
16.	11-051744-001		Hex Lock Nut (M8)
17.	55-068149-000	*55-068149-009	Short Chain Guide
18.	55-068148-000	*55-068148-009	Long Chain Guide
19.	55-068027-000	N/A	Spacer
20.	11-051574-001	N/A	Socket Head Cap Screw (M6 x 45 mm)
21.	55-018015-000		Base Plate - Guide Bracket Support
22.	55-018136-002		Rod - For Guide Bracket
23.	55-018135-002		Guide Rod
24.	55-018016-000		Shoulder Stud
25.	47-034842-004		Plastic Bushing
26.	11-052936-001		Flat Sink Head Socket Screw (M6 x 16 mm)
27.	11-053478-001	47-861050-000	Speed Nut (Quicklock M8), Pkg Qty - 10
28.	11-051018-001		Hex Head. Cap Screw (M6 x 20 mm)
29.	55-060240-009		Chain Assembly
30.	55-060212-009		Special Link Assembly

\* Guide Assemblies - Includes Index Numbers 7, 8, and 20.  
Index Number 19, Spacers, are now incorporated into the guides  
and are no longer a separate part.

## Chain Drive Assembly

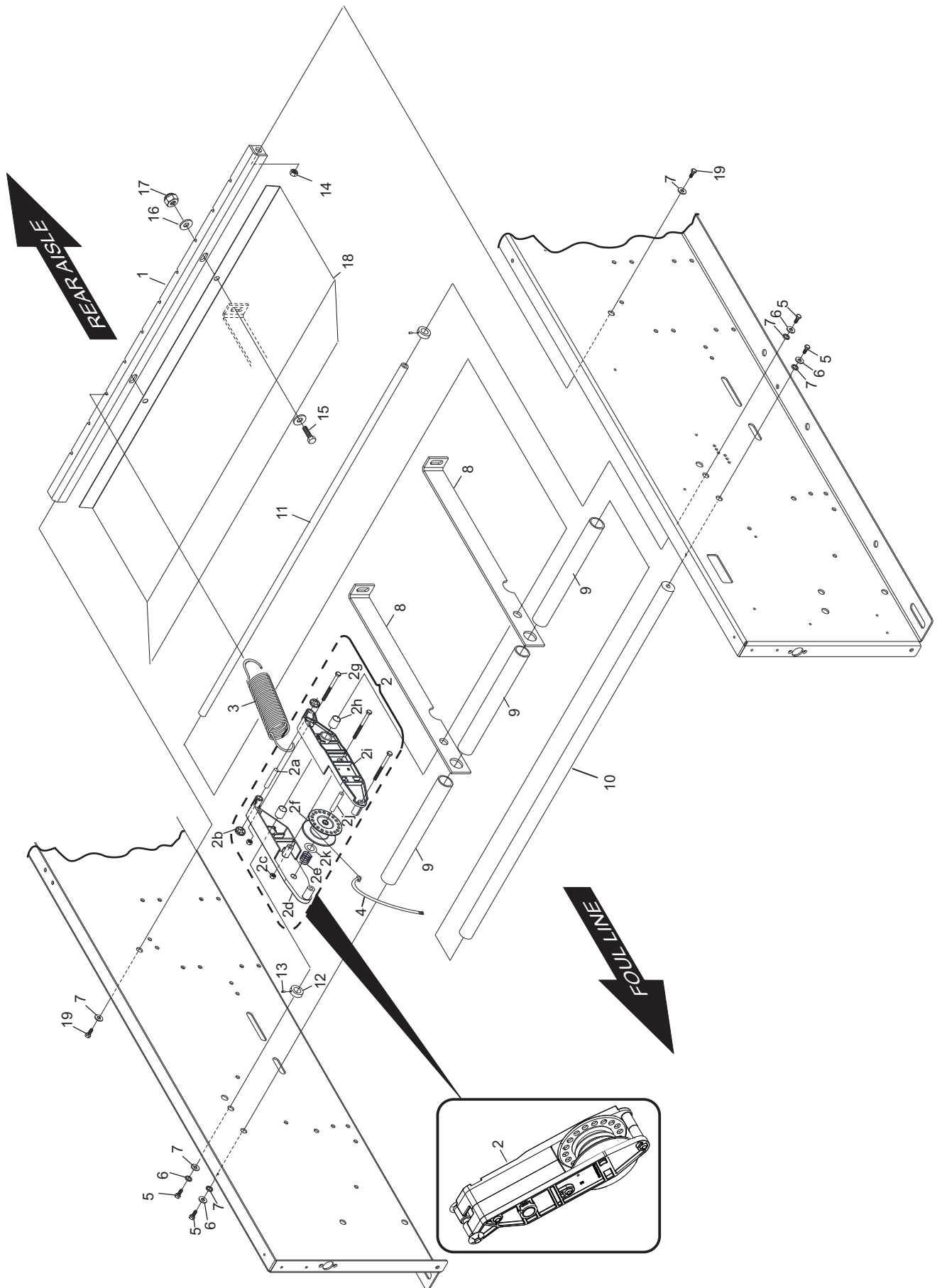


**Chain Drive Assembly**

Index No.	Part No.	Package / Order Reference	Description
1.	55-050658-003		"L" Profile for Spring Support
2.	55-050620-009		String Lever Reel Assembly
2a.	55-050639-004		Spring Hook
2b.	11-053478-001	47-861050-000	Speed Nut (Quicklock M8), Pkg Qty - 10
2c.	11-051743-001		Hex Lock Nut (M6)
2d.	55-050621-003		Reel Support Bracket (left-hand)
2e.	55-050634-004		Spring For Lever Reel
2f.	55-050633-003		Reel
2g.	11-051083-001		Screw (M6 x 60 mm)
2h.	55-078026-000		Bearing
2i.	55-050622-003		Reel Support Bracket (right-hand)
2j.	55-050637-004		Reel Shaft
2k.	11-052027-001		Flat Washer (17 mm x 30 mm x 3 mm)
3.	55-050712-004		Tension Spring
4.	75-110012-001	*75-110012-009	String (5 m) - black
5.	11-051005-001		Hex Head Cap Screw (M10 x 20 mm)
6.	11-051771-001		Lockwasher (M10 x 18 mm x 2.2 mm)
7.	11-052018-001		Flat Washer (M10 x 20 mm x 2 mm)
8.	55-050607-003		Support Arm
9.	55-050994-004		Rod Support Cover
10.	55-050375-004		Reel Support Rod
11.	55-058047-000		String Lever Shaft
12.	11-053616-001		Stop Collar
13.	11-053104-000	47-861023-001	Set Screw (M6 x 6 mm), Pkg Qty - 20)
14.	11-051745-001		Hex Lock Nut (M10)
15.	11-051015-001		Hex Head Cap Screw (M8 x 25 mm)
16.	11-052003-001		Flat Washer (M8 x 16 mm x 1.6 mm)
17.	11-051744-001		Hex Lock Nut (M8)
18.	55-010232-003		Pan
19.	11-051019-001		Hex Head Cap Screw (M10 x 25 mm)

\* 50 Meter Roll of String

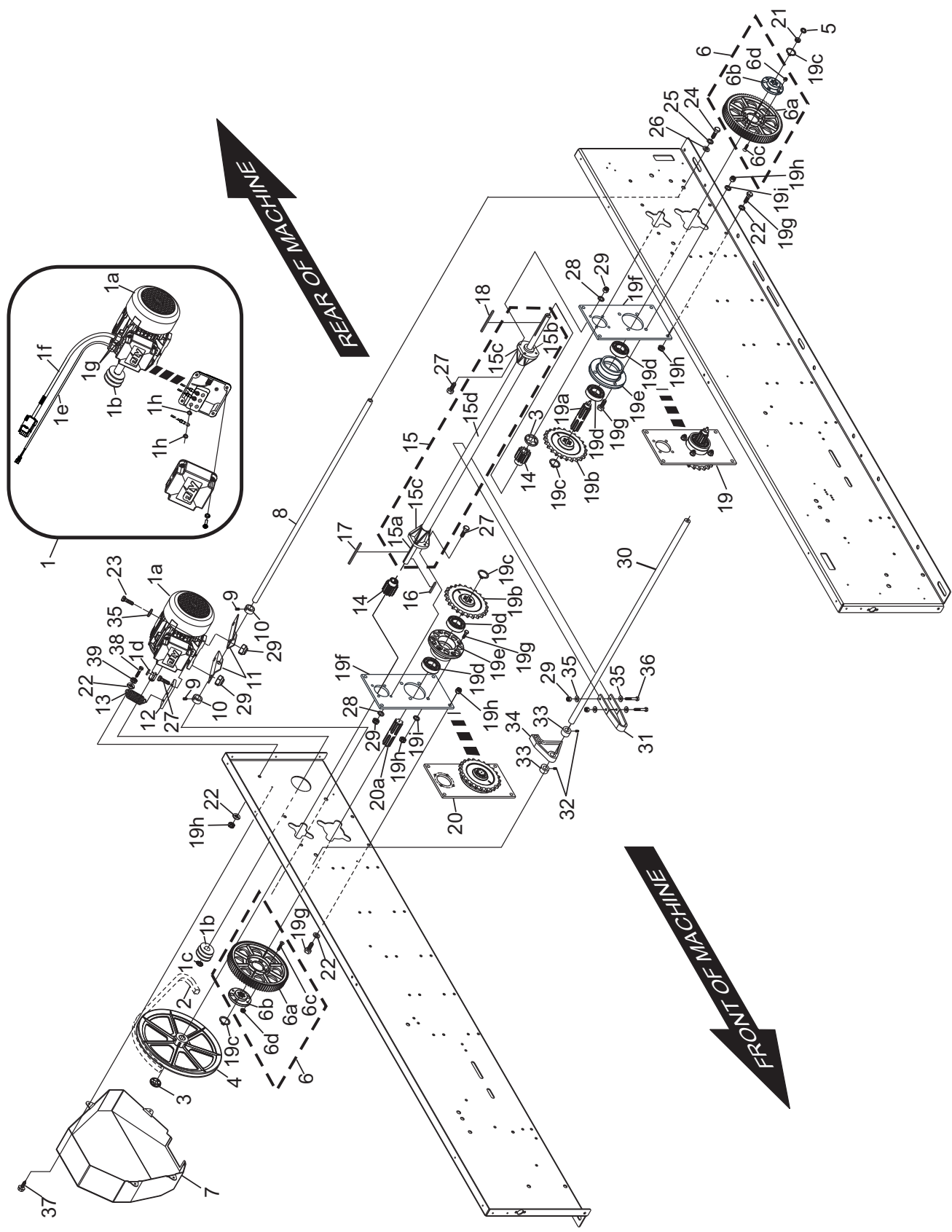
## String Lever Assembly



String Lever Assembly

Index No.	Part No.	Package / Order Reference	Description
1.	55-078040-009		Motor - Complete with Pulley and Cables (380V)
	55-078039-009		Motor - Complete with Pulley and Cables (208V)
1a.	55-078036-000		Motor (380V)
1a.	55-078035-000		Motor (208V)
1b.	55-010183-004		Motor Pulley
1c.	11-051852-000		Retaining Ring - External (17 mm)
1d.	11-053505-000		Metric Key (5 mm x 5 mm x 30 mm)
1e.	55-143018-000		Assembly - Cable, Motor Overload
1g.	11-055081-000		Cable Strain Relief (M20 x 1.5 mm)
1f.	55-143011-000		Assembly- Motor Cable
1h.	99-040444-004		Washer, For Terminals (4.3 mm x 8 mm x 0.5 mm)
2.	11-053914-000		V-Belt
3.	11-053484-001		Speed Nut (17 mm)
4.	99-070162-002		Drive Pulley
5.	11-053481-000		Speed Nut (5 mm)
6.	55-020402-009		Drive Gear Assembly
6a.	55-020402-003		Drive Gear
6b.	55-020402-004		Hub
6c.	11-052936-001		Screw - Socket Flat Head Countersunk (M)
6d.	11-051743-001		Hex Nut (M6)
7.	55-018209-000		Drive Cover
8.	55-050652-004		Motor Support Rod
9.	11-053104-001	47-861023-001	Set Screw (M6 x 6 mm) (Qty. 20)
10.	11-053616-001		Stop Ring (Collar)
11.	55-010184-004		Motor Mount Bracket
12.	55-010182-004		Motor Tension Strap
13.	99-020163-004		Motor Tension Spring
14.	55-020308-004		Spur Gear
15.	55-020316-009		Drive Shaft Assembly
15a.	55-020414-003		Drive Shaft
15b.	11-430029-000		Bearing
15c.	55-020392-004		Drive Shaft Bearing Retainer
15d.	55-020415-003		Drive Shaft Protective Tube
16.	11-053505-000		Key (5 x 5 x 30 mm)
17.	11-053513-000		Key (5 x 5 x 70 mm)
18.	11-053504-000		Key (5 x 5 x 45 mm)
19.	55-020320-009		Pinion Gear Support Assembly (Right Hand)
19a.	55-020401-004		Pinion Gear (Right Hand)
19b.	55-020405-003		Chain Wheel (Sprocket)
19c.	11-051856-000	11-051856-001	Retaining Ring - External (25 mm, 23.2 mm ID, 34.2 OD)
19d.	11-430051-000		Bearing
19e.	55-020393-003		Bearing Retainer
19f.	55-020395-003		Bearing Bracket
19g.	11-051015-001		Hex Hd. Cap Screw (M8 x 25 mm)
19h.	11-051744-001		Locknut (M8)
19i.	11-051770-001		Lock Washer (M8 x 14.8 mm x 2 mm)
20.	55-020321-009		Pinion Gear Support Assembly (Left Hand)
20a.	55-020400-002		Pinion Gear (Left Hand)
21.	55-020485-004		Gear - Switch Cluster (16 tooth)
22.	11-052003-001		Flat Washer
23.	11-051018-001		Hex Hd. Cap Screw (M6 x 20 mm)
24.	11-051005-001		Hex Hd. Cap Screw (M10 x 20 mm)
25.	11-051771-001		Lock Washer (M10)
26.	11-052018-001		Flat Washer (M10)
27.	11-051028-001		Hex Hd. Cap Screw (M6 x 25 mm)
28.	11-051769-001		Lock Washer (M6)
29.	11-051743-001		Locknut (M6)
30.	55-060237-004		Cross Shaft
31.	55-018020-000		Clamp
32.	11-053101-001		Set Screw (M6 x 8 mm)
33.	11-053619-001		Stop Ring (Collar)
34.	55-068032-009		Locking Cam (Stop Dog)
35.	11-052008-001		Flat Washer (M6)
36.	11-051023-001		Hex Hd. Cap Screw (M6 x 55 mm)
37.	11-051069-001		Hex Hd. Cap Screw (M5 x 12 mm)
38.	11-051079-001		Hex Hd. Cap Screw (M8 x 50 mm)
39.	11-051704-001		Hex Nut (M8)

## Frame - Drive Assembly



Frame - Drive Assembly

Intentionally Blank Page

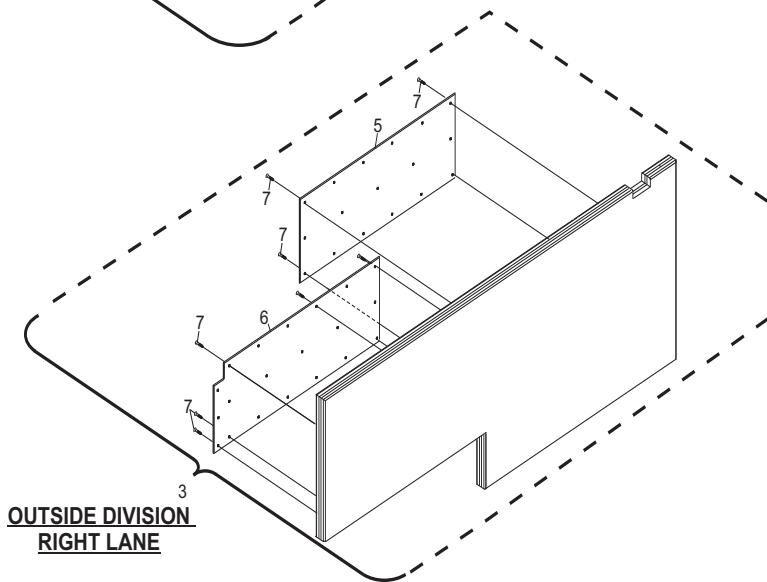
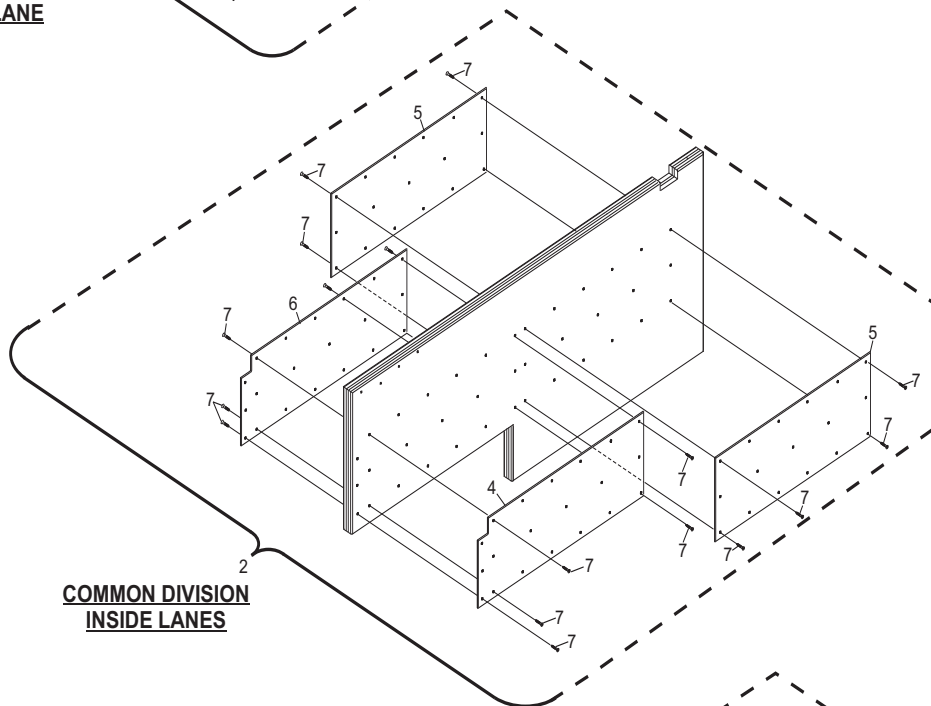
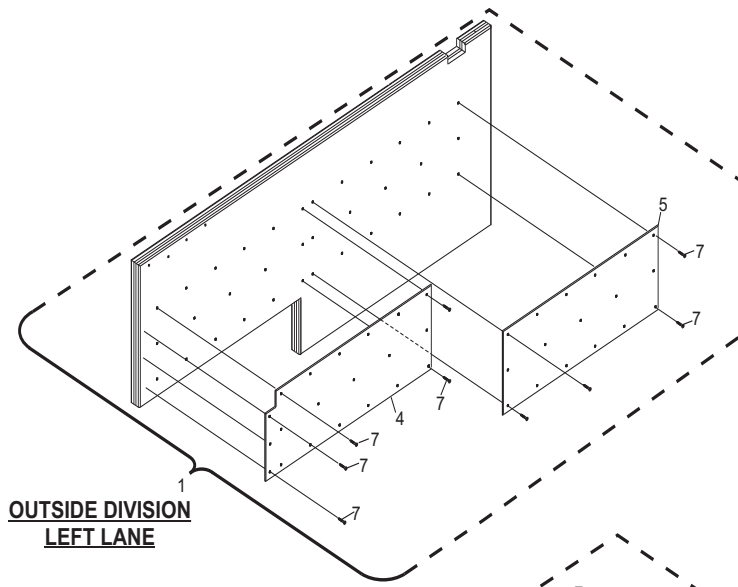


**Section C**

**Pit / Ball Accelerator /  
Ball Elevator**

<b>Index No.</b>	<b>Part No.</b>	<b>Package / Order Reference</b>	<b>Description</b>
1.	55-278143-009		Division Kickback Complete - Outside Left Lane
2.	55-278142-009		Division Kickback - Inside (Common)
3.	55-278144-009		Division Kickback - Outside Right Lane
4.	55-278254-000		Protector Plate (Right Hand - Long)
5.	55-278150-002		Protector Plate (Long)
6.	55-278253-000		Protector Plate (Left Hand - Long)
7.	11-051892-000		Torx - Counter Sink Wood Screw (M4.5 x 25 mm)

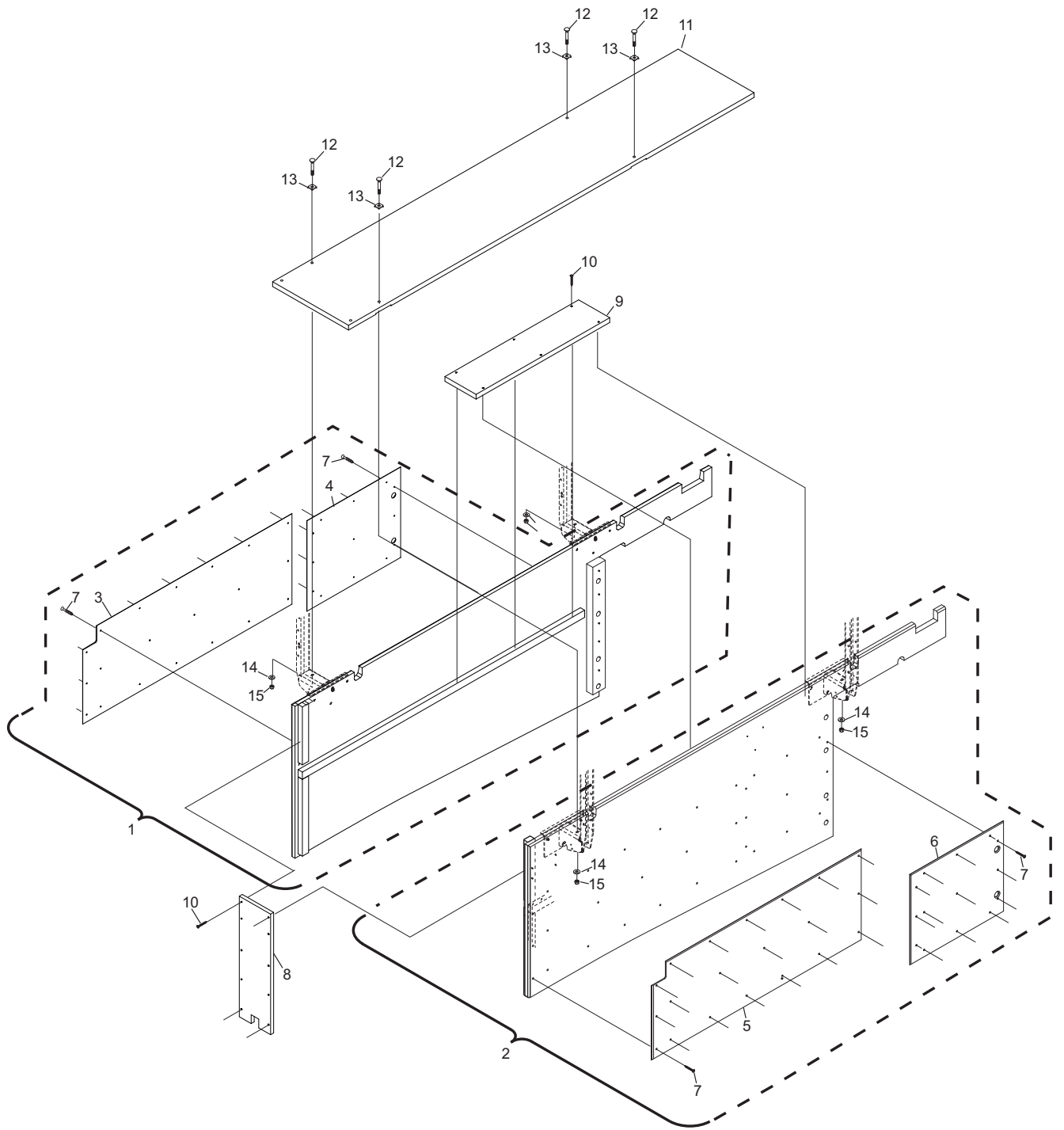
## Division Kick Backs



**Division Kick Backs**

<b>Index No.</b>	<b>Part No.</b>	<b>Package / Order Reference</b>	<b>Description</b>
1.	55-278145-009		Ball Return Kickback - Left (Complete)
2.	55-278146-009		Ball Return Kickback - Right (Complete)
3.	55-278253-000		Protector Plate (Left Hand - Long)
4.	55-278151-002		Protector Plate (Left Hand - Short)
5.	55-278254-000		Protector Plate (Right Hand - Long)
6.	55-278217-002		Protector Plate (Right Hand - Short)
7.	11-051892-000		Torx - Counter Sink Wood Screw (M4.5 x 25 mm)
8.	55-278147-000		Cover - Front (685 mm x 206 mm x 20 mm)
9.	55-273204-003		Cover - Accelerator (880 mm x 205 mm x 27 mm)
10.	11-051893-000		Torx T-25 Sink Wood Screw (M5 x 60 mm)
11.	55-278053-001		Walkway Top Cover
12.	11-052603-001		Carriage Bolt (M8 x 45 mm)
13.	55-278137-004		Square Washer (M8)
14.	11-052019-001		Flat Washer (8.4 mm x 24 mm x 2 mm)
15.	11-051744-001		Hex Lock Nut (M8)

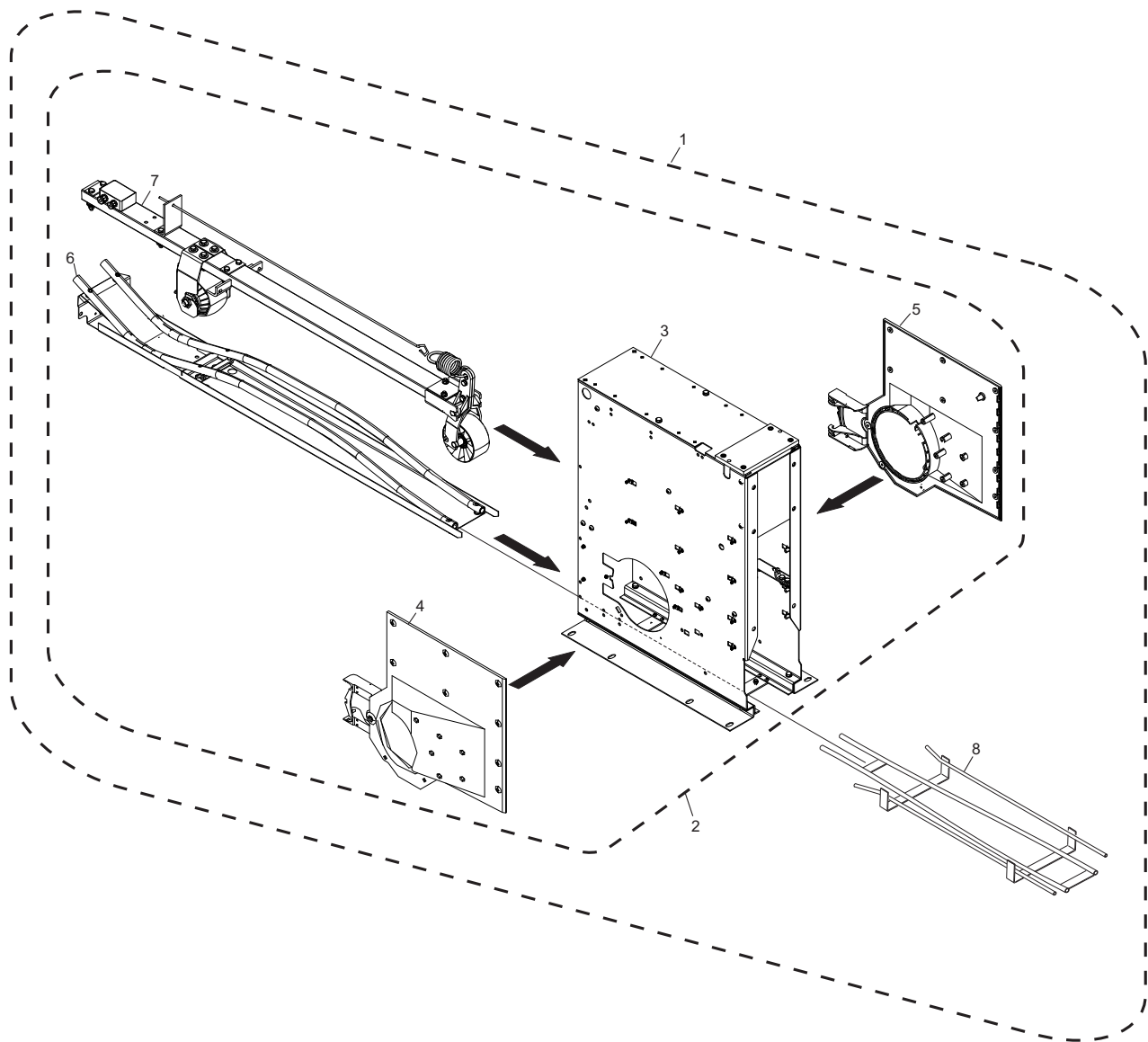
## Ball Return Kick Backs



## Ball Return Kick Backs

<b>Index No.</b>	<b>Part No.</b>	<b>Package / Order Reference</b>	<b>Description</b>
1.	55-278221-220		Stringpin Ball Accelerator 220V Assembly (With Transition Track and Hardware)
	55-278221-380		Stringpin Ball Accelerator 380V Assembly (With Transition Track and Hardware)
2.	55-108222-220		Ball Accelerator Assembly 220V (Without Transition Track and Hardware)
	55-108222-380		Ball Accelerator Assembly 380V (Without Transition Track and Hardware)
3.	55-108223-009		Accelerator Box Assembly
4.	47-035240-001		L.H. Ball Door Protector Side Plate - 10 pin side
5.	47-035241-001		R.H. Ball Door Protector Side Plate - 7 pin side
6.	47-035304-001		Ball Guide Assembly
7.	55-108224-009	S.O.	Drive Assembly (Stringpin)
8.	53-520634-001		Transition Track (Metric)

## Ball Accelerator Assembly (Subway)

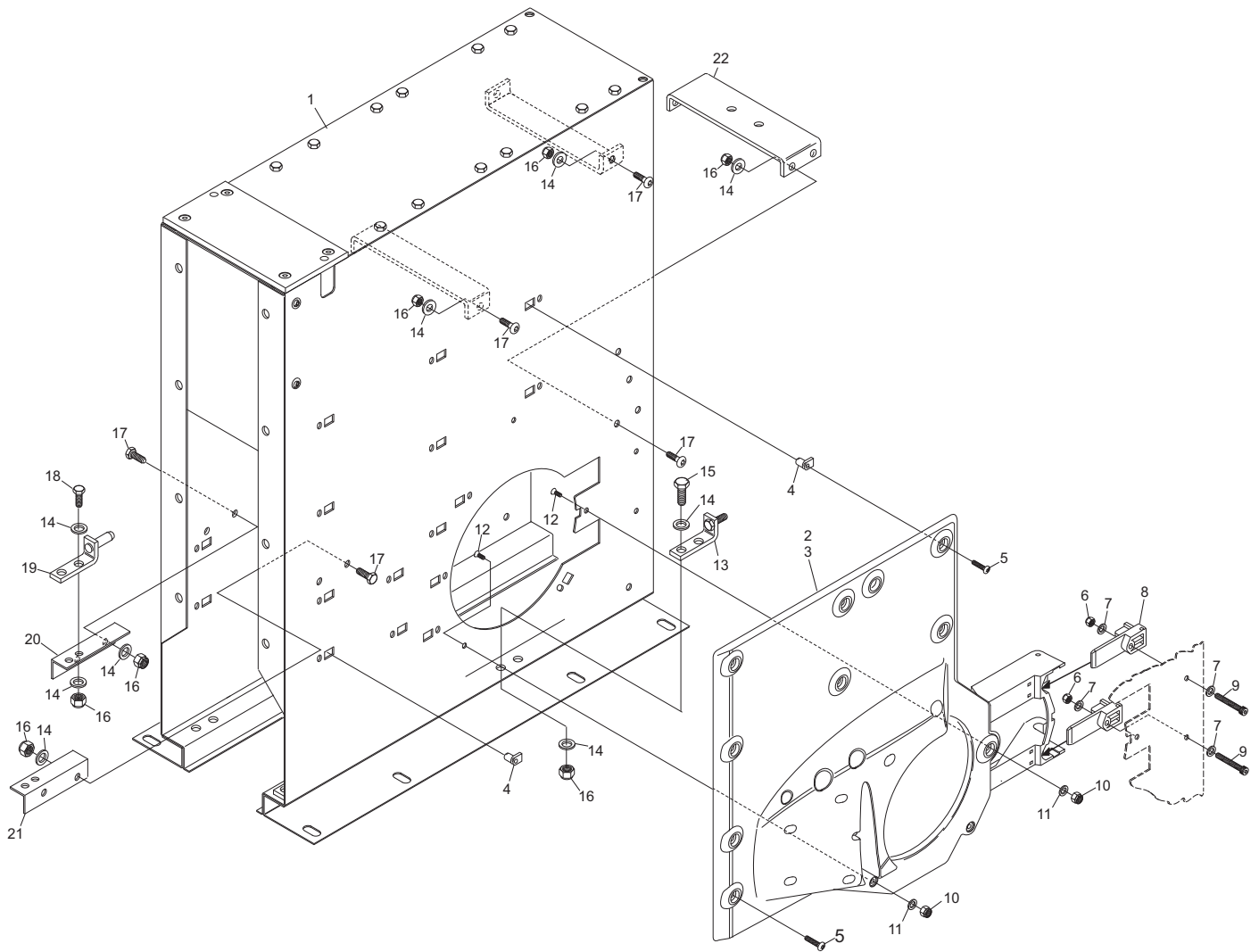


## Ball Accelerator Assembly (Subway)

<b>Index No.</b>	<b>Part No.</b>	<b>Package / Order Reference</b>	<b>Description</b>
1.	55-108223-009		Accelerator Box Assembly
2.	47-035240-001		L.H. Ball Door Protector Plate - 10 pin side
3.	47-035241-001		R.H. Ball Door Protector Plate - 7 pin side (shown)
4.	11-055800-000		EJOT Plastic Fastener (Nut Plate)
5.	11-054466-000		Torx Head Seft Tap Plastic Screw (K60 x 25 mm)
6.	11-051743-001		Locknut (M6)
7.	11-052008-001		Flat Washer (6.4 mm x 12 mm x 1.6 mm)
8.	47-035239-004		Holder Wedge
9.	11-051562-001		Socket Head. Cap Screw (M6 x 60 mm)
10.	11-051742-001		Locknut (M5)
11.	11-052020-001		Flat Washer (5.3 mm x12 mm x 1 mm)
12.	11-052933-001		Countersunk Screw (M5 x 12 mm)
13.	47-035219-003		Angle Bracket w/ Threaded Pin
14.	11-052018-001		Flat Washer (10.5 mm x 20 mm x 2 mm)
15.	11-051045-001		Hex Head Cap Screw (M10 x 30 mm)
16.	11-051745-001		Locknut (M10)
17.	11-054805-001		Button Hd. Socket Screw (M10 x 25 mm)
18.	11-051019-001		Hex Hd. Cap Screw (10 mm x 25 mm)
19.	47-035220-003		Accelerator Bracket w/Pin
20.	47-035224-003		Front Support - Left Hand
21.	47-035223-003		Front Support - Right Hand
22.	47-035228-003		Cross Support Brace

## Accelerator Box Assembly (Subway)



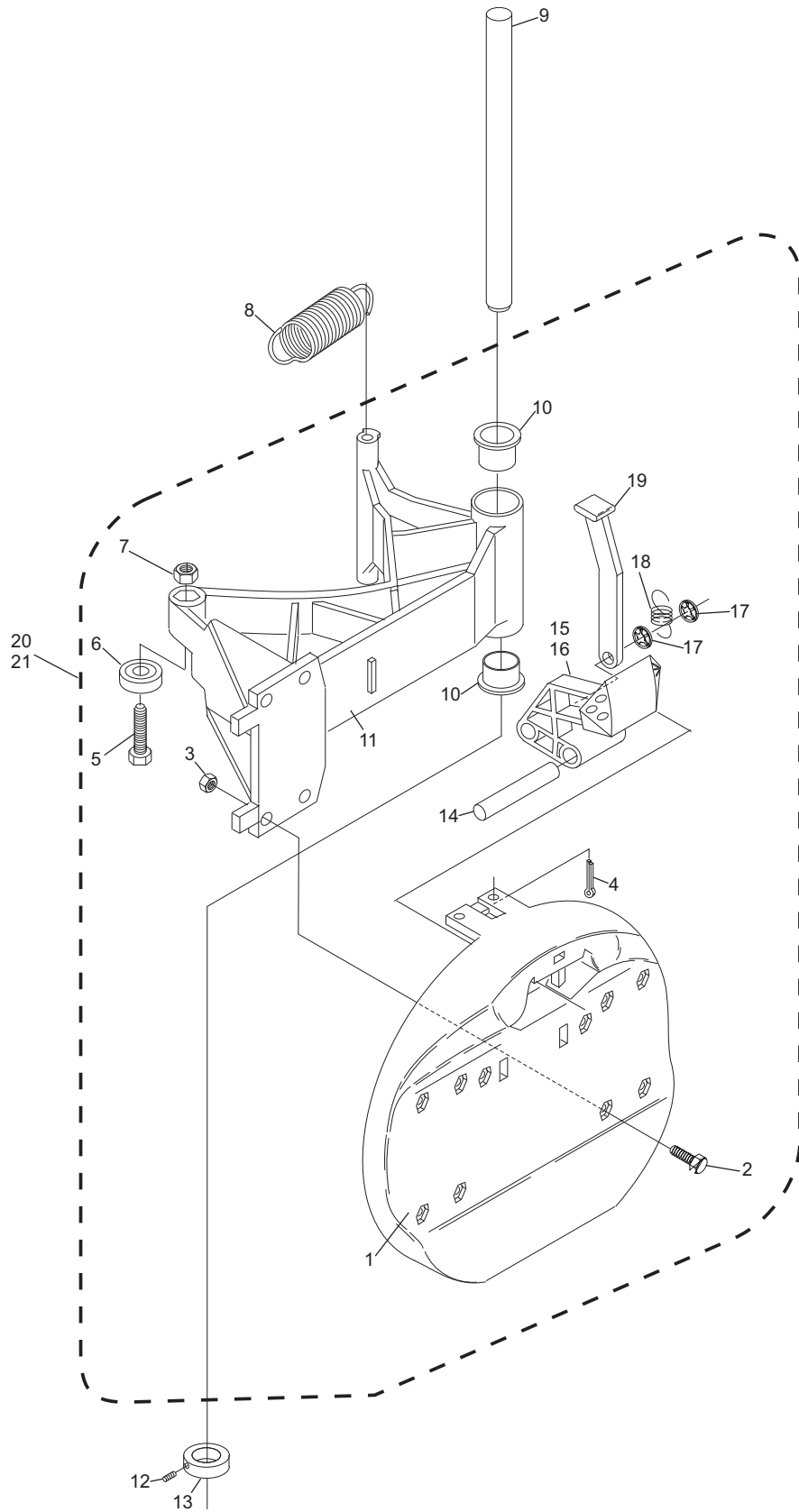


## Accelerator Box Assembly (Subway)

<b>Index No.</b>	<b>Part No.</b>	<b>Package / Order Reference</b>	<b>Description</b>
1.	*47-031054-002		Ball Door
2.	11-051018-001		Hex Hd. Cap Screw (6 mm x 20 mm)
3.	11-051743-001		Locknut (M6)
4.	11-051793-001		Cotter Pin (2 mm x 16 mm)
5.	11-051067-001		Hex Hd. Cap Screw (M8 x 35 mm)
6.	11-430046-000		Bearing
7.	11-051744-001		Locknut (M8)
8.	47-030276-004		Tension Spring
9.	47-035238-004		Ball Door Arm Shaft
10.	47-034842-004		Bushing
11.	*47-031058-001		Ball Door Arm
12.	11-053101-000		Socket Set Screw (M6 x 8 mm)
13.	11-053622-001		Stop Ring (Collar)
14.	47-031091-004		Shaft
15.	47-031056-003		Ball Door Key - Left (Not Shown)
16.	47-031055-003		Ball Door Key - Right (Shown)
17.	11-053477-001		Speed Nut (7 mm)
18.	47-034767-004		Tension Spring
19.	47-031822-004		Lever
20.	47-033556-009		R.H. Ball Door Complete (Shown)
21.	47-033555-009		L.H. Ball Door Complete (Not Shown)

\* Index Nos. 1 and 11 are universal for use in both left-hand and right-hand ball door assemblies.

## **Ball Door/Lock Assembly (Subway)**

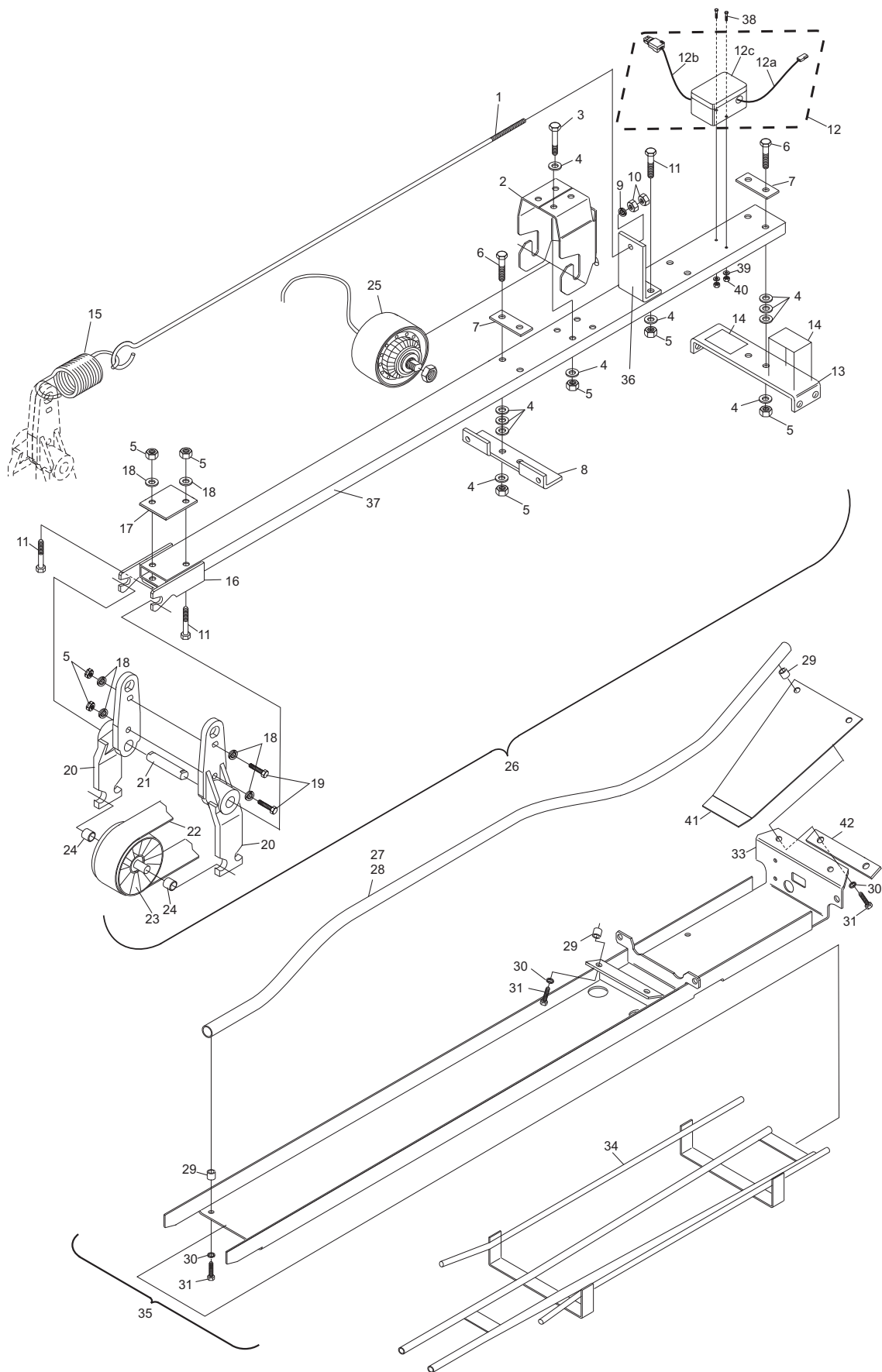


**Ball Door/Lock Assembly (Subway)**

Index No.	Part No.	Package / Order Reference	Description
1.	47-035236-003		Tension Rod
2.	47-035226-002		Motor Support Bracket
3.	11-051071-001		Hex Head Cap Screw (M10 x 60 mm)
4.	11-052050-001		Flat Washer (10.5 mm x 30 mm x 2.5 mm)
5.	11-051745-001		Locknut (M10)
6.	11-051093-001		Hex Head Cap Screw (M10 x 75 mm)
7.	47-035344-004		Stiffening Plate
8.	47-035229-002		Front Support
9.	11-052019-001		Flat Washer (8.4 mm x 24 mm x 2 mm)
10.	11-051704-001		Nut (M8)
11.	11-051087-001		Hex Head Cap Screw (M10 x 65 mm)
12.	47-036312-004		Terminal Box w/Cables
	12a. 47-245429-004		Overload Switch Cable
	12b. 47-246311-004		Motor Power Cable
	12c. 47-035253-003		Terminal Box w/Lid
13.	47-035228-003		Cross Support Brace
14.	53-400067-000		Safety Decal
15.	47-031248-004		Tension Spring
16.	47-035231-002		Support (Front Drum)
17.	47-035345-003		Stiffening Plate
18.	11-052018-001		Flat Washer (10.5 mm x 20 mm x 2 mm)
19.	11-051021-001		Hex Head Screw (M10 x 35 mm)
20.	47-031454-002		Pivot Lever
21.	47-035230-004		Axle Shaft
22.	10-635127-000		Flat Belt
23.	47-035232-002		Front Driving Drum Complete
24.	47-035234-004		Spacer
25.	99-030363-004	Not Available	Accelerator Motor/Rear Drive Drum Assembly w/Cable (208/230/380 VAC)
	47-277187-230		Motor Conversion Kit - 208V/230V Accelerators
	47-277188-400		Motor Conversion Kit - 380V Accelerators
26.	55-108224-009	S.O.	Drive Assembly Stringpin Ball Accelerator
27.	47-034730-004	47-862787-000	Protective Cover - Pkg. of 4
28.	47-035303-009	S.O.	Ball Rod w/Cover
29.	47-035214-004		Spacer
30.	11-051771-001		Lockwasher (10.2 mm x 18.1 mm x 2.2 mm)
31.	11-051045-001		Hex Head Cap Screw (M10 x 30 mm)
32.	11-051078-001		Hex Head Cap Screw (M10 x 40 mm)
33.	47-035211-001		Bottom Accelerator Plate
34.	53-520634-001		Metric Transition Track
35.	47-035304-001		Ball Guide Assembly
36.	47-035235-003		Support (Tension Rod)
37.	47-035227-003		Support (Drive Assy)
38.	11-051558-001		Socket Hd. Cap Screw (M5 x 55 mm)
39.	11-052005-001		Flat Washer (5.3 mm x 10 mm x 1 mm)
40.	11-051742-001		Locknut (M5)
41.	47-035351-003		Protection Plate
42.	47-035311-004		Stiffening Plate - Ball Rod

S.O. = Special Order

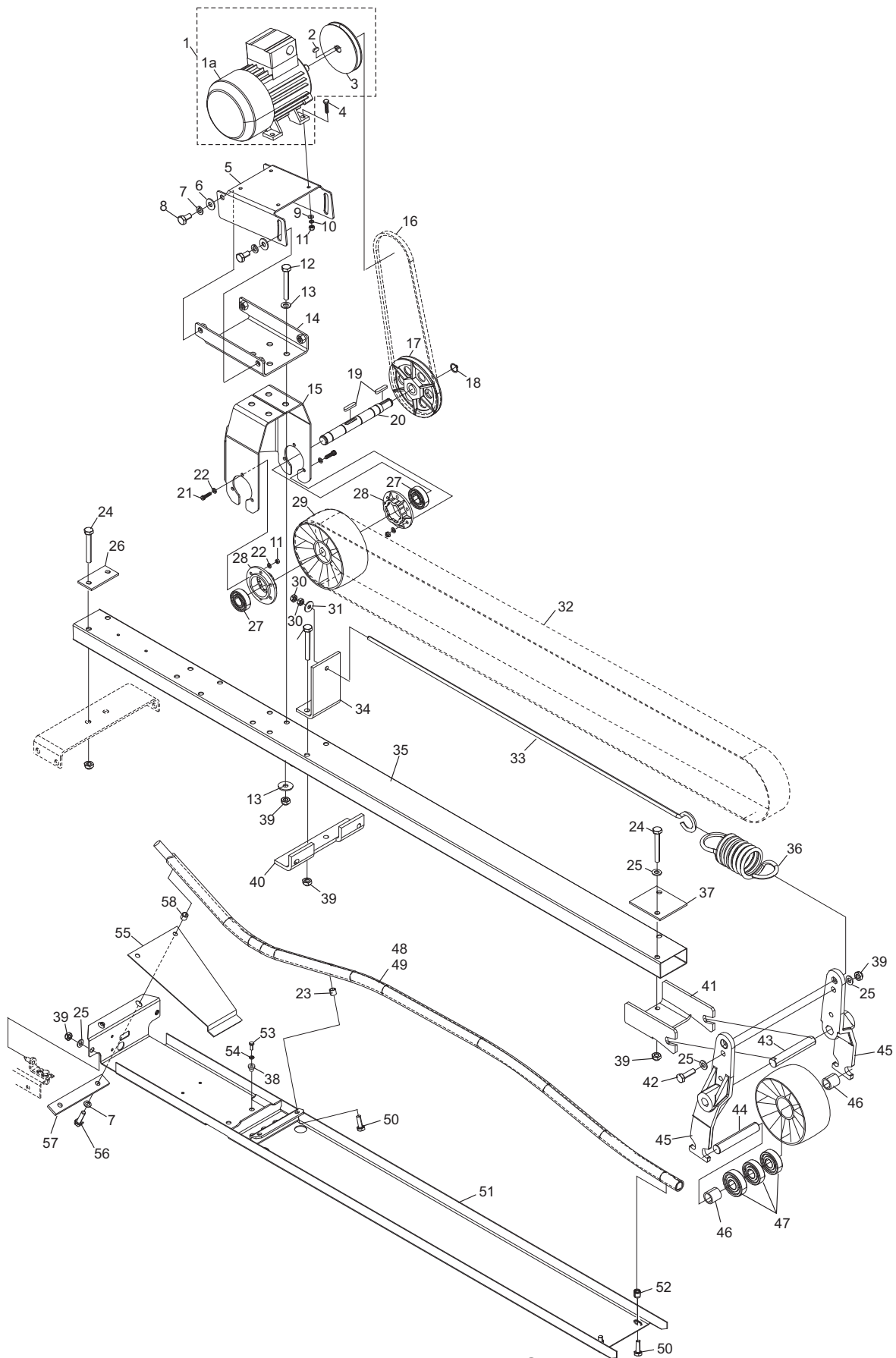
## Ball Accelerator (Subway)



**Ball Accelerator (Subway)**

Index No.	Part No.	Package / Order Reference	Description
1.	47-076891-400		Accelerator Motor (380V/400V) w/Cable, Pulley
	1a. 99-076886-000		Accelerator Motor (380V/400V) - Motor Only
1.	47-076891-230		Accelerator Motor (208V/230V) w/Cable, Pulley
	1a. 99-076885-000		Accelerator Motor (208V/230V) - Motor
2.	11-053101-001		Key
3.	47-036703-001		Pulley
4.	11-051028-001		HHCS
5.	47-037451-000		Tension Adjustment Plate
6.	11-052028-001		Flat Washer
7.	11-051771-001		Lockwasher
8.	11-051005-001		HHCS
9.	11-052048-001		Fat Washer
10.	11-051069-001		Lockwasher
11.	11-051743-001		Locknut
12.	11-051087-001		HHCS
13.	11-052050-001		Flat Washer
14.	47-037452-000		Plate
15.	47-036697-001		Bracket
16.	11-053912-000		Belt
17.	47-013956-003		Pulley
18.	11-051852-000		External Tooth Retaining Ring
19.	11-053501-001		Key
20.	47-036700-001		Drive Shaft
21.	11-051515-001		Socket Head Screw
22.	11-052007-001		Flat Washer
23.	47-035214-000		Spacer
24.	11-051093-001		HHCS
25.	11-052018-001		Flat Washer
26.	47-035344-004		Plate
27.	11-430015-000		Bearing
28.	47-014952-003		Collar
29.	47-036701-001		Wheel
30.	11-051704-001		Hex Nut
31.	11-052019-001		Flat Washer
32.	10-635127-000		Flat Belt
33.	47-036705-000		Tension Rod
34.	47-035235-000		Bracket
35.	47-035227-000		Bar
36.	47-031248-004		Spring
37.	47-035345-003		Plate
38.	47-035371-004		Spacer for Ball Accelerator
39.	11-051745-001		Hex Nut
40.	47-035229-000		Shaft Holder
42.	11-051021-001		HHCS
43.	47-035230-004		Shaft
44.	47-035234-004		Wheel Holder
46.	47-035234-004		Spacer
47.	11-430016-000		Bearing
48.	47-035303-000		Guide Tube
49.	47-034730-000		Plastic Tube (cover)
50.	11-051045-001		HHCS
51.	47-035211-000		Tray
52.	47-035212-001		Spacer
53.	11-051035-001		HHCS
54.	11-053602-001		Lockwasher
55.	47-035531-003		Protection Plate
56.	11-051078-000		HHCS
57.	47-035311-004		Flat Bar

## Ball Accelerator (SUBWAY)

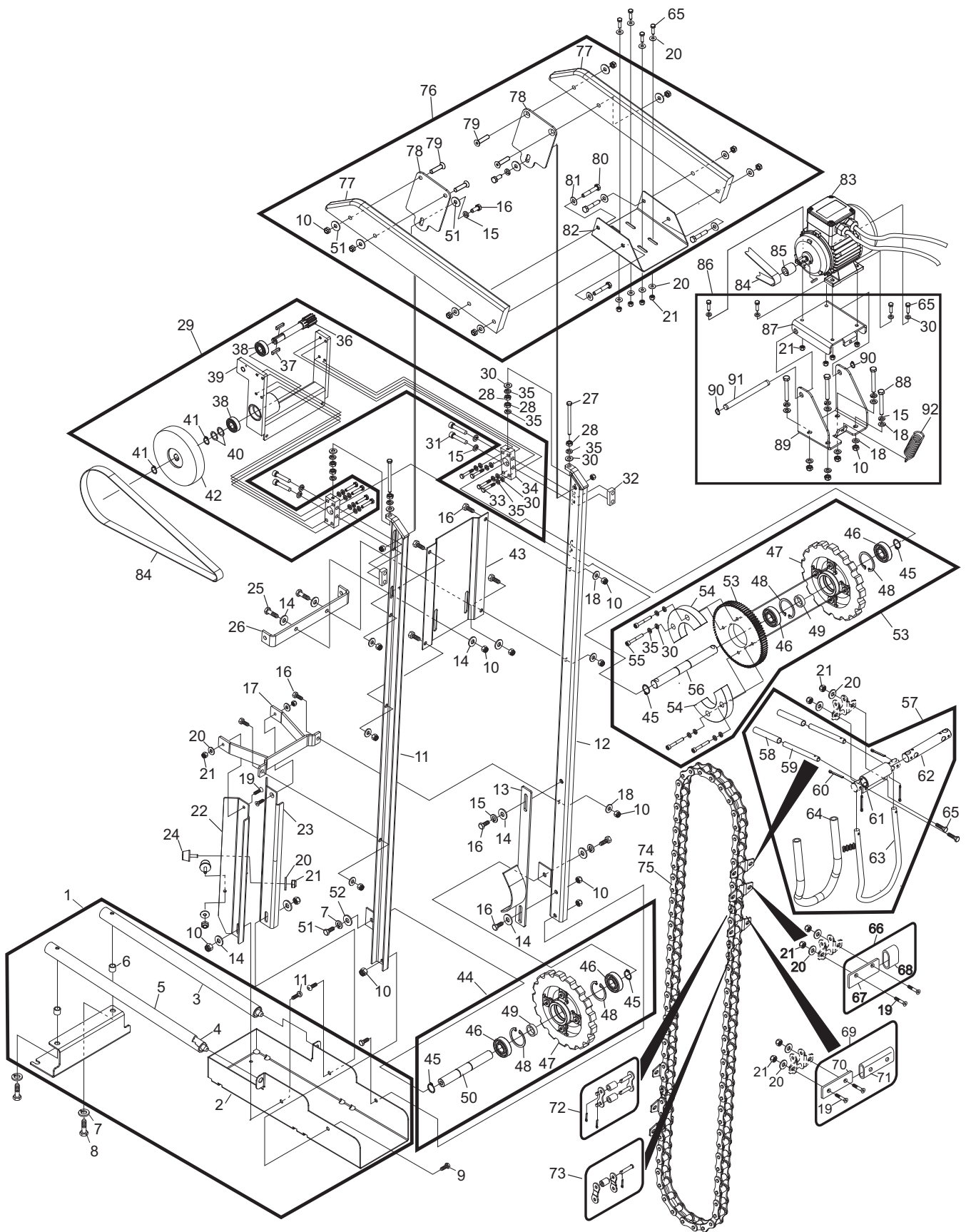


**Ball Accelerator (Subway)**

Index No.	Part No.	Package / Order Reference	Description
1	55-109300-009		Assembly - Surface Return Diverter
2	55-109284-000		Diverter
3	55-109278-009		Assembly - Ball Rod Diverter (Covered)
4	55-109278-000		Ball Rod Diverter (Uncovered)
5	47-034730-004		Plastic Tube Cover
6	47-035214-004		Distance Ring
7	11-051771-000		Lock Washer (M10)
8	11-051045-001		Hex Head Cap Screw (M10 x 30 mm)
9	11-051038-001		Hex Head Cap Screw (M8 x 16 mm)
10	11-051744-001		Locknut (M8)
11	55-108888-000		Side Frame Left Hand
12	55-108887-000		Side Frame Right Hand
13	55-108633-000		Paddle Turn Cam
14	11-052006-001		Flat Washer - Thick
15	11-051770-001		Lock Washer (M8)
16	11-051010-001		Hex Head Cap Screw (M8 x 20 mm)
17	55-108629-000		Main Holder
18	11-052003-001		Flat Washer (M8)
19	11-052945-001		Socket Flat Head Screw
20	11-052037-001		Flat Washer (M10)
21	11-051743-001		Locknut (M6)
22	55-108631-000		Holder Left Hand
23	55-108630-000		Holder Right Hand
24	55-108632-000		Rubber Bumper
25	11-051015-001		Hex Head Cap Screw (M8 x 25 mm)
26	47-037757-000		Mounting Bracket
27	11-051024-001		Hex Head Cap Screw (M6 x 70 mm)
28	11-051702-001		Hex Nut (M10)
29	55-108890-009		Assembly - Upper Drive Support
30	11-052008-001		Flat Washer (M6)
31	11-051525-001		Socket Head Cap Screw (M8 x 30 mm)
32	55-108483-000		Nut Plate
33	11-051022-000		Hex Head Cap Screw (M6 x 30 mm)
34	55-108599-000		Adjustment Block
35	11-051769-001		Lock Washer (M6)
36	55-108601-000		Pinion Shaft
37	11-053501-000		Key
38	11-430006-000		Bearing
39	55-108891-000		Drive Mounting Block
40	11-054112-000		Shim Washer
41	11-051858-000		External Retaining Ring
42	55-108364-000		Flat Belt Pulley
43	55-108889-000		Support Pan
44	55-108597-000		Assembly - Lower Drive Support
45	11-051853-000		External Tooth Retaining Ring
46	11-430050-000		Bearing
47	55-108471-000		Sprocket
48	11-051901-000		Retaining Ring
49	55-108540-000		Distance Ring
50	55-108397-000		Lower Drive Shaft
51	11-051019-001		Hex Head Cap Screw (M10 x 25 mm)
52	11-052018-001		Flat Washer (M10)
53	55-108498-000		Large Gear
54	55-108499-000		Bumper Ring
55	11-051574-001		Socket Head Cap Screw (M6 x 45 mm)
56	55-108374-000		Drive Shaft
57	55-108608-000		Assembly Ball Paddle
58	55-108613-000		Plastic Tubing
59	55-108611-000		Roll Pin
60	11-051792-000		Split Pin
61	55-108612-000		Bracket
62	55-108609-000		Hinge Shaft
63	55-108610-000		Ball Paddle
64	55-108614-000		Protector Sleeve
65	11-051018-000		Hex Head Cap Screw
66	55-108625-009		Paddle Buffer
67	55-108626-000		Paddle Plate
68	55-108627-000		Paddle Bumper
69	55-108606-009		Assembly - Ball Paddle Stop
70	55-108606-000		Paddle Stop
71	55-108607-000		Protector Sleeve
72	55-108620-000		Chain Connecting Link
73	55-108892-CO3		Chain Offset Link
74	55-108892-000		Chain Complete
75	55-108892-009		Chain Complete w/Ball Paddles
76	47-037711-000		Upper Transition Track
77	47-037763-000		Surface Guide Rail
78	47-037763-000		Elevator transition Mount
79	11-052952-000		Socket Flat Head Cap Screw
80	11-051085-001		Hex Head Cap Screw (M8 x 45 mm)
81	47-052013-001		Flat Washer
82	47-037711-000		Upper Transition Plate
83	55-108388-208		Motor with Cables and Pulley, 208VAC
	55-108388-220		Motor with Cables and Pulley, 220VAC
	55-108388-380		Motor with Cables and Pulley, 380VAC
84	55-108392-000		Flat Belt
85	55-108541-000		Motor Pulley, 50Hz
	55-108317-000		Motor Pulley, 60Hz
86	55-109343-000		Motor Mount Assembly
87	55-109341-000		Upper Holder Plate Motor Mount
88	11-051054-001		Hex Head Cap Screw (M8 x 60 mm)
89	55-109340-000		Lower Holder Plate Motor Mount
90	11-051851-000		External Tooth Retaining Ring
91	55-109342-000		Motor Mount Shaft
92	47-095923-004		Spring

## Ball Elevator (SURFACE)

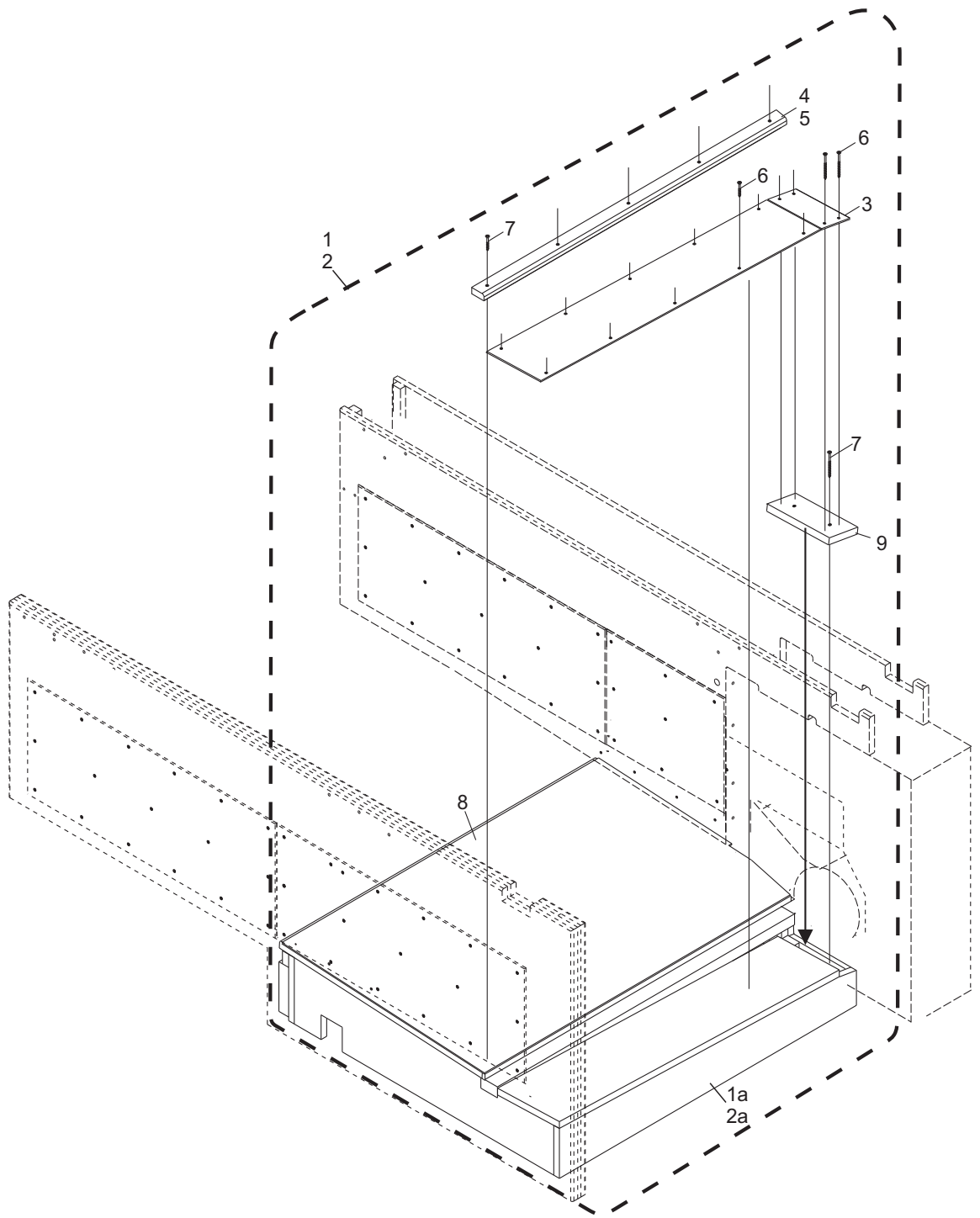




**Ball Elevator (SURFACE)**

<b>Index No.</b>	<b>Part No.</b>	<b>Package / Order Reference</b>	<b>Description</b>
1.	55-273200-009		Pit Assembly Complete - Right Lane (Shown)
	1a. 55-273200-000		Pit Frame Assembly - Right Lane (Shown)
2.	55-273201-009		Pit Assembly Complete - Left Lane (Not Shown)
	2a. 55-273201-000		Pit Frame Assembly - Left Lane (Not Shown)
3.	55-273200-004		Bended Plate
4.	55-273200-003		Strip - Right Lane (Shown)
5.	55-273201-003		Strip - Left Lane (Not Shown)
6.	11-051892-001		T-20 Torx Self Tap Counter Sink (M4.5 x 25)
7.	11-051893-001		T-25 Torx Self Tap Counter Sink (M5 x 60)
8.	55-273200-001		Protector Plate (Carpet)
9.	55-273200-005		Top Plate

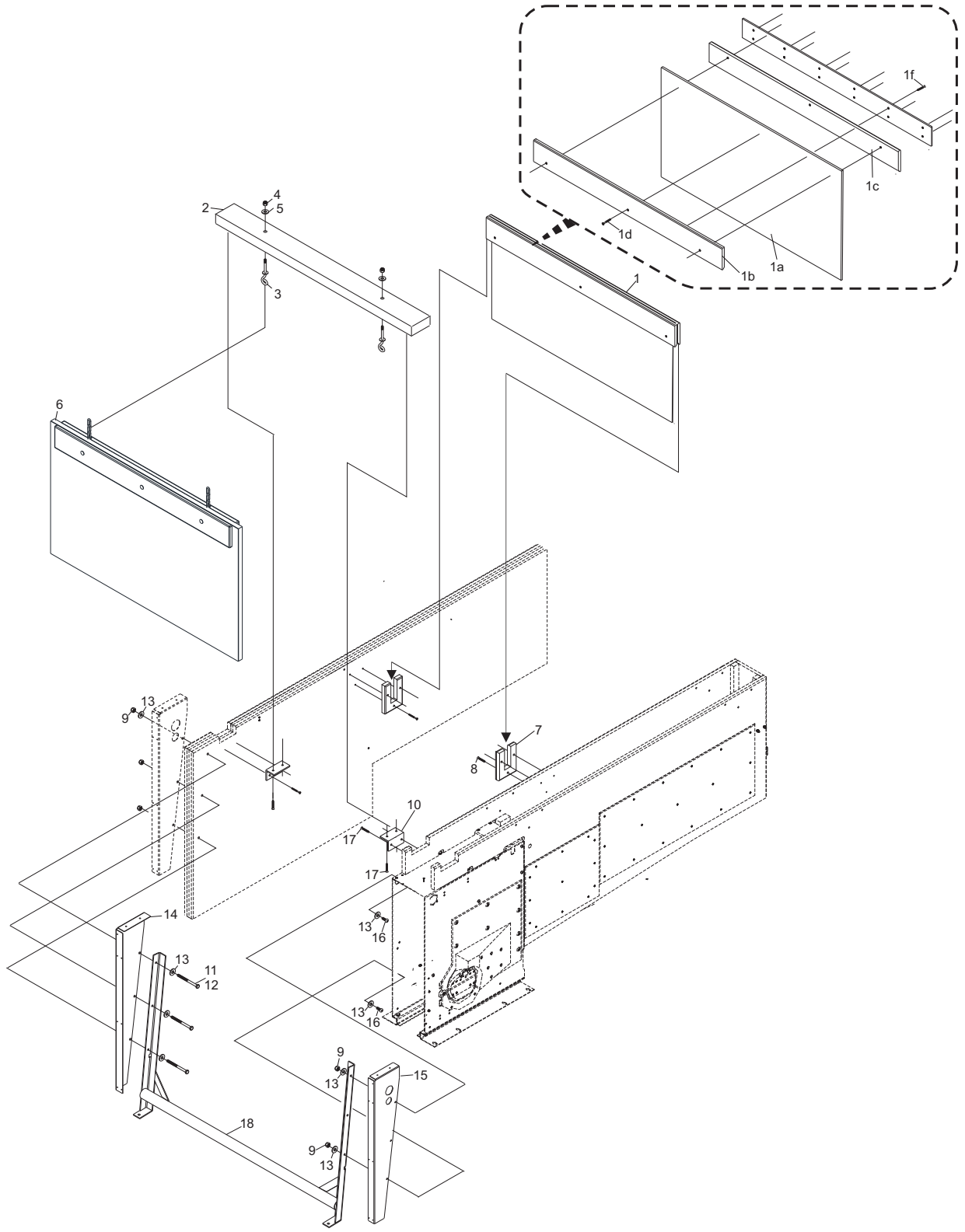
## Pit Assembly



**Pit Assembly**

Index No.	Part No.	Package / Order Reference	Description
1.	55-278280--009		Pit Curtain Assembly
	1a. 55-278280-000		Carpet
	1b. 55-278156-001		Carpet Holder 1
	1c. 55-278156-002		Carpet Holder 2
	1d. 11-051896-001		T-25 Torx Self Tap Counter Sink (M5 x 40)
	1e. 55-278227-002		Protector Plate
	1f. 11-051894-001		T-25 Torx Self Tap Counter Sink (M5 x 35)
2.	55-278182-000		Ball Cushion Support
3.	55-278029-000		Swing Hook
4.	11-051745-001		Locknut (M10)
5.	11-052068-001		Flat Washer (10 mm x 40 mm x 3 mm)
6.	55-278153-009		Ball Cushion Assembly (Black)
7.	55-278171-000		Support - Carpet Mat
8.	11-051893-001		T-25 Torx Self Tap Counter Sink (M5 x 60)
9.	11-051744-001		Locknut (M8)
10.	55-273012-001		Ball Cushion Support
11.	11-051107-001		Hex Head Cap Screw (M8 x 110 mm) - For Inside (Common) Division Kickbacks
12.	11-051081-001		Hex Head Cap Screw (M8 x 100 mm) - For End Lane Division Kickbacks
13.	11-052019-001		Flat Washer (8.4 mm x 24 mm x 2 mm)
14.	55-278056-001		Right Hand Rear Bracket
15.	55-278057-001		Left Hand Rear Bracket
16.	11-051044-001		Hex Head Cap Screw (M8 x 30 mm)
17.	11-051892-001		Torx Self Tap Counter Sink (M4.5 x 25)
18.	55-278012-000		Ball Cushion Frame

## Ball Cushion / Pit Curtain



**Ball Cushion / Pit Curtain**

Intentionally Blank Page

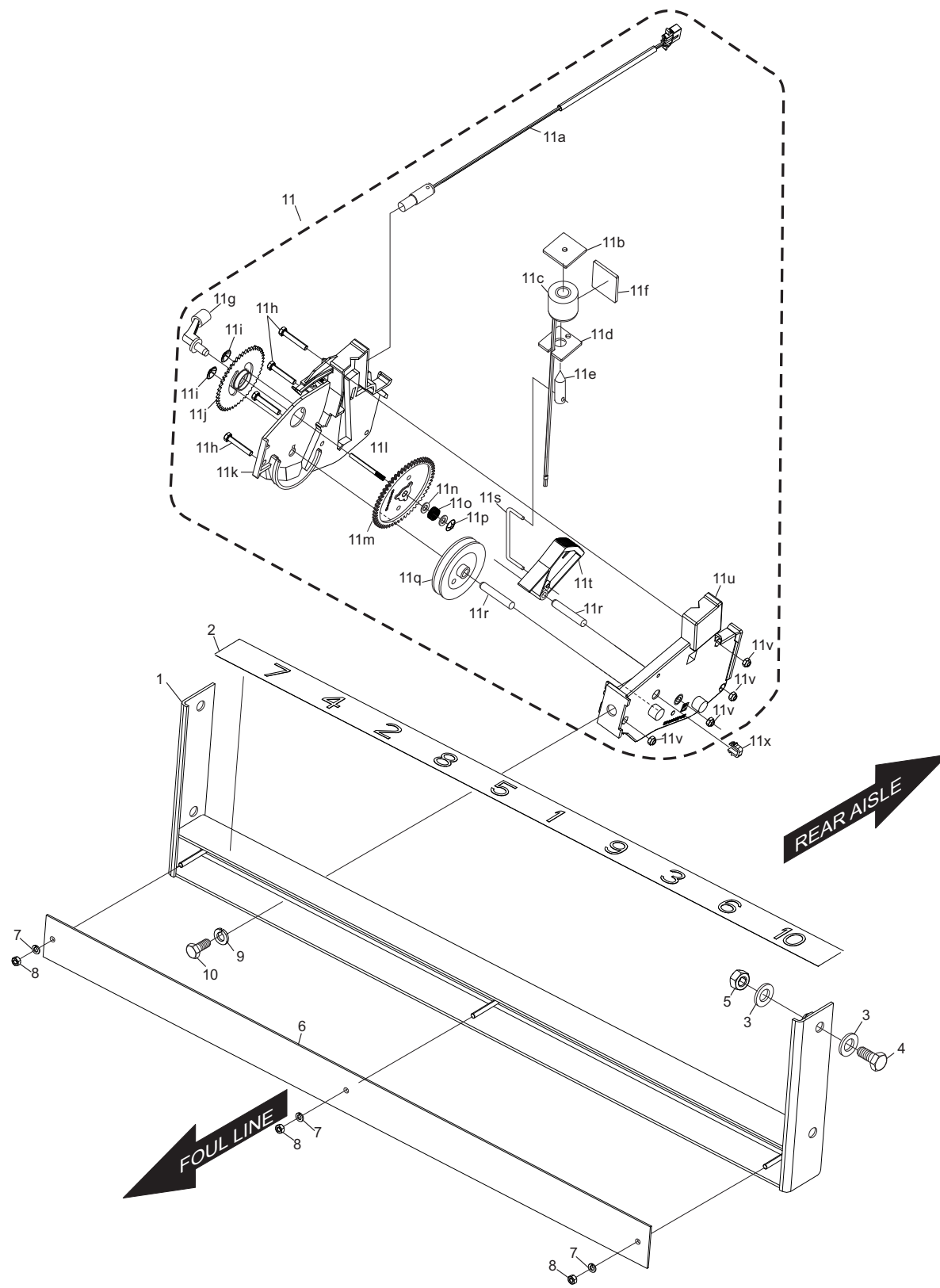
**Section D**

**Pin System**

Index No.	Part No.	Package / Order Reference	Description
1.	55-040422-002		Control Holder For Pin Motion Interfaces
2.	55-268152-003		Label - "Numbering"
3.	11-052018-001		Flat Washer (M10 )
4.	11-051019-001		Screw Hex. Cap. (M10 x 25 mm)
5.	11-051745-001		Hex Locknut (M10)
6.	55-040554-003		Control Holder Cover
7.	11-051768-001		Lock Washer (M5)
8.	11-051701-001		Hex Nut (M5)
9.	11-051772-001		Lock Washer (M12)
10.	11-051062-001		Screw Hex. Cap (M12 x 25 mm)
11.	55-040426-009		Pin Motion Interface Assembly
	11a. 55-143048-000		Assembly - Pin Motion Interface Reed Switch
	11b. 55-040443-004		Solenoid Bracket
	11c. 55-040478-004		Solenoid
	11d. 55-040440-004		Plunger Bracket
	11e. 55-040437-004		Plunger
	11f. 55-040439-004		Solenoid Bracket
	11g. 55-040434-004		Switch Activator
	11h. 11-051002-001		Screw Hex. Cap. (M5 x 30 mm)
	11i. 11-053481-001		Speed Nut (Quick Lock)
	11j. 55-040433-004		String Adjustment Gear
	11k. 55-040428-001		Outside P. M. Interface Housing
	11l. 55-048013-000		Pin
	11m. 55-040432-004		Switch Gear
	11n. 11-054113-000		Shim Washer
	11o. 99-020164-004		Compression Spring
	11p. 11-053477-001		Speed Nut (Quick Lock)
	11q. 55-040430-004		String Pulley
	11r. 11-054004-001		Roll Pin
	11s. 55-040436-004		Solenoid Link
	11t. 55-040431-004		String Holder Cam
	11u. 55-040427-001		P.M.I. Housing Right Hand
	11v. 11-051742-001		Hex Locknut (M5)
	11x. 99-050166-004		Cable Holder
12.	75-110012-009		String,black - 50 Meter Roll (Not Shown)

## Pin Motion Interface (PMI)

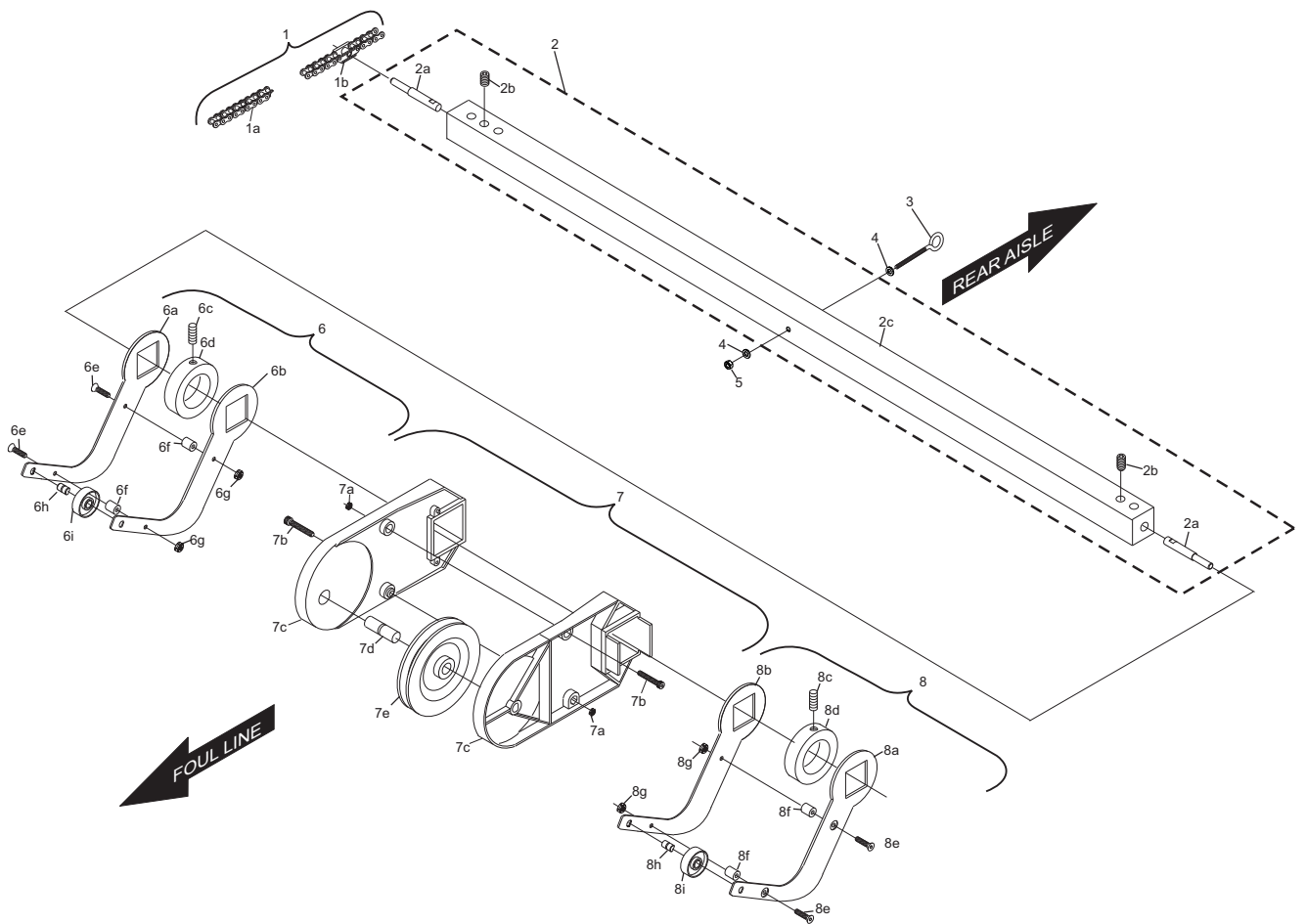




**Pin Motion Interface (PMI)**

Index No.	Part No.	Package / Order Reference	Description
1.	55-060240-009		Chain Assembly Complete
	1a. 55-060714-004		Roller Chain
	1b. 55-060212-003		Special Link
2.	55-030201-009		Pull Shaft Assembly
	2a. 55-030193-004		Pin
	2b. 11-053101-001		Socket Set Screw (M6 x 8 mm)
	2c. 55-030235-003		Pull Shaft
3.	10-050010-001		Eye Bolt (M6 x 40 mm)
4.	11-052037-001		Flat Washer (M10)
5.	11-051743-001		Hex Locknut (M6)
6.	55-030205-009		Lever Assembly (Left Hand)
	6a. 55-030709-003		Lever (Left Hand)
	6b. 55-030197-003		Common Lever
	6c. 11-053105-001		Socket Set Screw (M6 x 16 mm)
	6d. 55-030195-004		Stop Collar
	6e. 11-052934-001		Socket Screw - Countersunk Flat Head
	6f. 47-051633-004		Spacer Bushing
	6g. 11-051743-001		Hex Locknut (M6)
	6h. 55-030199-004		Roller Axel
	6i. 55-030200-009		Roller
7.	55-030202-009		Return Lever Housing Assembly
	7a. 11-051742-001		Hex Locknut (M5)
	7b. 11-051542-001		Socket Head Cap Screw (M5 x 25 mm)
	7c. 55-030196-003		Return Lever Housing
	7d. 55-030404-004		String Pulley Axel
	7e. 55-030408-009		String Idler Pulley
8.	55-030204-009		Lever Assembly (Right Hand)
	8a. 55-030708-003		Lever (Right Hand)
	8b. 55-030197-003		Common Lever
	8c. 11-053105-001		Socket Set Screw (M6 x 16 mm)
	8d. 55-030195-004		Stop Collar
	8e. 11-052934-001		Socket Screw - Countersunk Flat Head
	8f. 47-051633-004		Spacer Bushing
	8g. 11-051743-001		Hex Locknut (M6)
	8h. 55-030199-004		Roller Axel
	8i. 55-030200-009		Roller

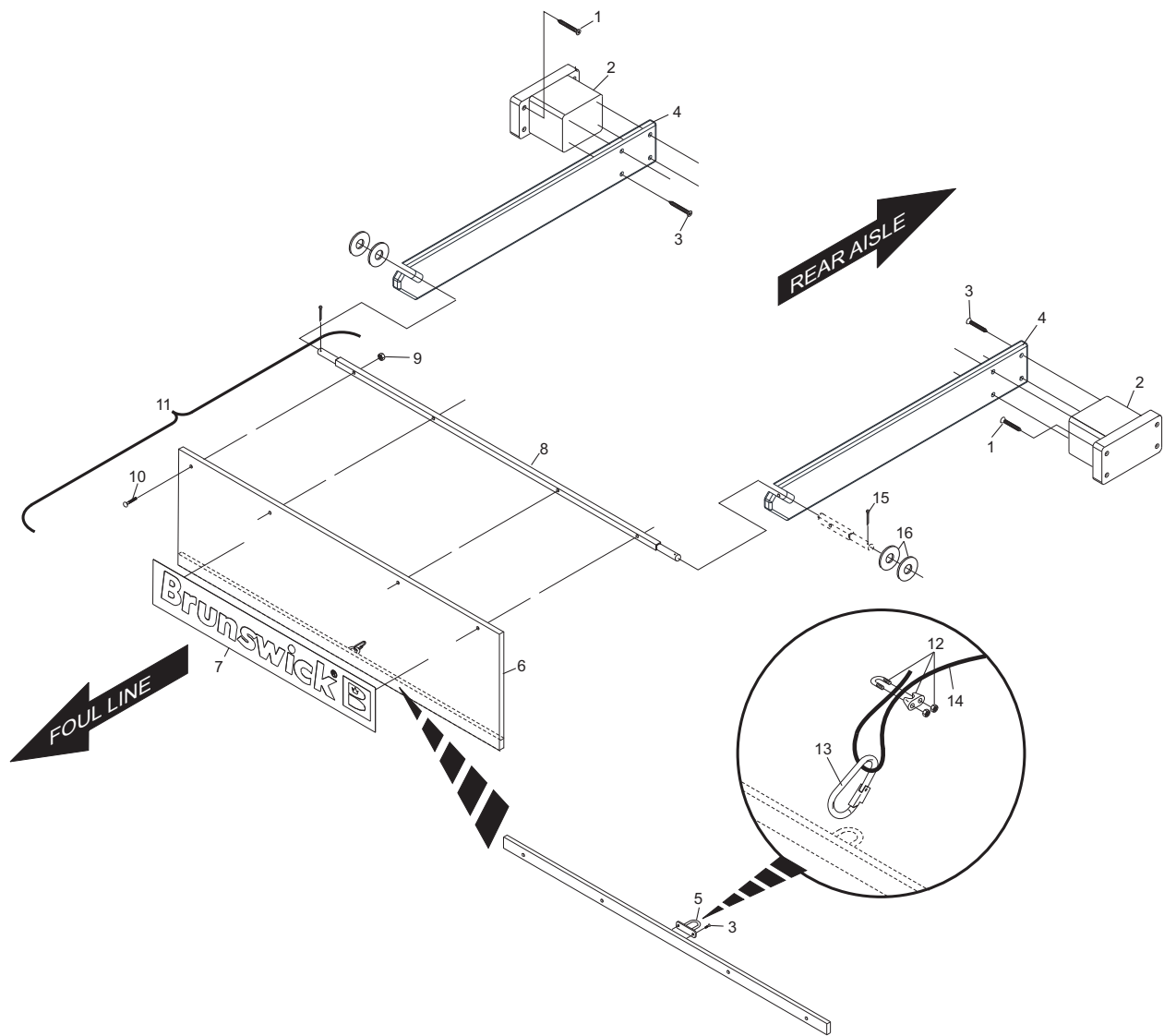
## Return Lever Assembly



## Return Lever Assembly

<b>Index No.</b>	<b>Part No.</b>	<b>Package / Order Reference</b>	<b>Description</b>
1.	11-051893-000		Torx Self Tap Counter Sink (M5 x 60 mm)
2.	55-278070-001		Gate Bracket Mount
3.	11-051892-000		T-20 Torx Self Tap Counter Sink (M4.5 x 25 mm)
4.	55-278120-003		Gate Support
5.	11-056301-000		Clasp Eyepad
6.	55-278112-001		Gate Board
7.	55-268185-000		Label (Decal) - Front Gate
8.	55-278092-001		Support For Gate Board
9.	11-051743-001		Locknut (M6)
10.	11-052627-001		Carriage Bolt (M6 x 25 mm)
11.	55-278119-009		Assembly - Gate with Decal
12.	11-603027-001		Clasp
13.	11-599005-000		Snap Ring (Carbiner)
14.	75-110012-009		String,black - 50 Meter Roll
15.	11-051810-001		Split Pin (Cotter Pin)
16.	11-052027-001		Flat Washer (17 mm x 30 mm x 3 mm)

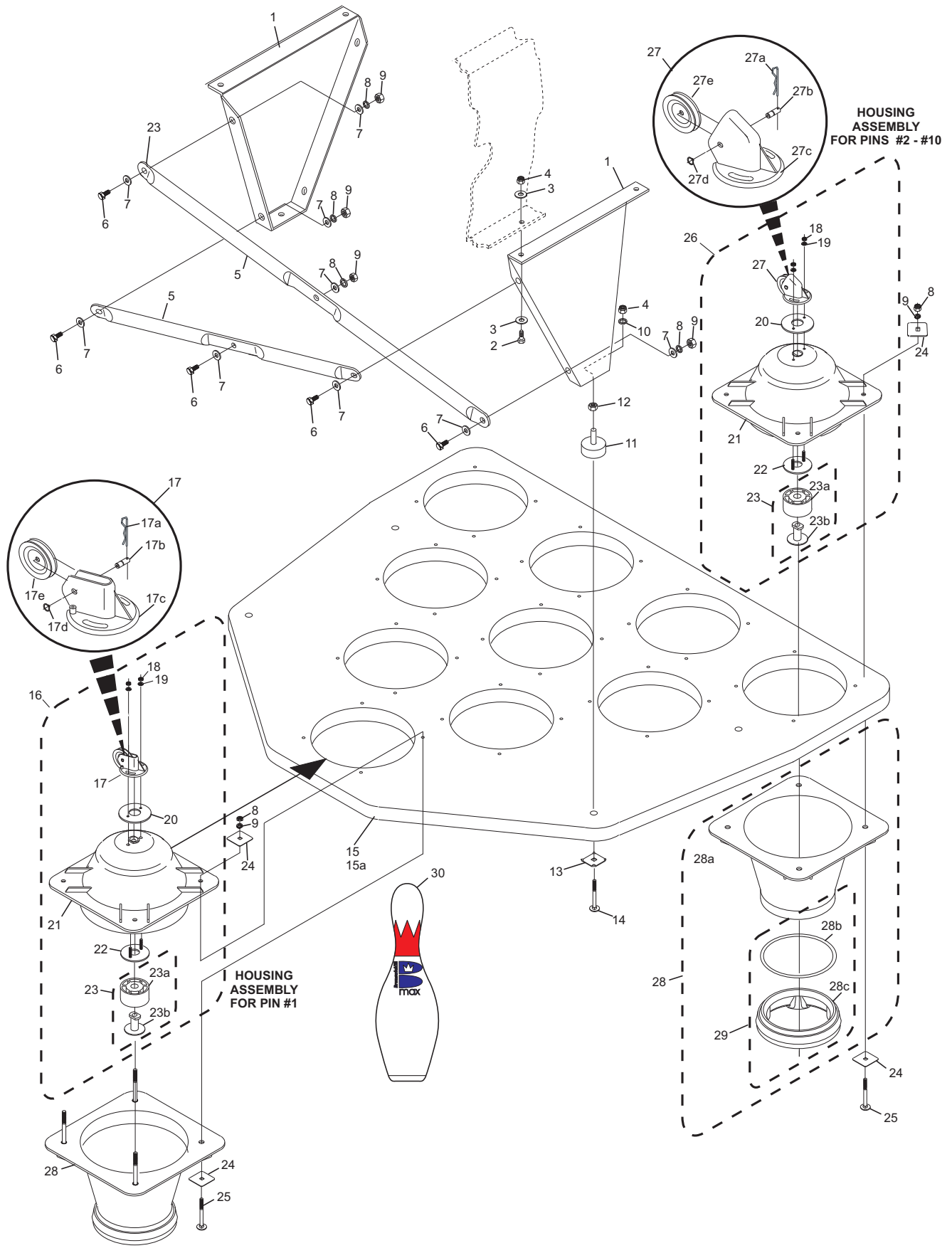
## Front Gate



## Front Gate

Index No.	Part No.	Package / Order Reference	Description
1.	55-081000-002		Platform Support Brace
2.	11-051019-001		Screw Hex. Cap. (M10 x 25 mm)
3.	11-052028-001		Flat Washer (M10)
4.	11-051745-001		Hex Locknut (M10)
5.	55-080239-003		Cross Support Brace
6.	11-051010-001		Screw Hex. Cap. (M8 x 20 mm)
7.	11-052003-001		Flat Washer (M8)
8.	11-051744-001		Hex Locknut (M8)
9.	11-051770-001		Lock Washer (M8)
10.	11-051771-001		Lock Washer (M10)
11.	55-080383-004		Rubber Bumper
12.	11-051703-001		Hex Nut (M10)
13.	55-082531-004		Square Washer
14.	11-052618-001		Metric Carriage Bolt
15.	55-278052-009		Setting Platform Assembly - Complete w/Cones
	15a. 55-082630-001		Setting Platform
16.	55-082088-009		Upper Centering Guide Housing Assembly for Pin #1
17.	55-082271-009		String Pulley Housing Assembly for Pin #1
	17a. 11-054300-000		Metric Spring Cotter
	17b. 55-082031-004		Idler Pulley Shaft
	17c. 55-082282-004		String Pulley Housing for Pin #1
	17d. 11-051855-000		Ring - Retaining, External
	17e. 55-030408-009		String Idler Pulley
18.	11-051743-001		Hex Locknut (M6)
19.	11-052048-001		Flat Washer (M10)
20.	55-082281-004		Pin Head Nut Plate
21.	55-082081-001		Upper Centering Guide Housing
22.	55-082280-004		Pin Head Mounting Plate
23.	55-088034-009		Pin Head Stop Assembly
	23a. 55-082606-004		Pin Head Stop
	23b. 55-082609-004		Pin Head Stop Support
24.	55-082608-004		Square Washer
25.	11-052616-001		Carriage Bolt (M8 x 65 mm)
26.	55-082085-009		Upper Centering Guide Housing Assembly for Pin #2-#10
27.	55-082270-009		String Pulley Housing Assembly for Pin #2 - #10
	27a. 11-054300-000		Metric Spring Cotter
	27b. 55-082031-004		Idler Pulley Shaft
	27c. 55-082279-003		String Pulley Housing for Pin #2 - #10
	27d. 11-051855-000		Ring - Retaining, External
	27e. 55-030408-009		String Idler Pulley
28.	55-088033-009		Lower Centering Guide Assembly
	28a. 55-082134-001		Lower Centering Guide Housing
	28b. 55-082136-004		Centering Guide Ring
	28c. 55-082135-003		Centering Guide.
29.	55-082138-009		Centering Guide Ring Assembly
30.	63-861169-000		Max Crown GID, Single Pin - Drilled
	63-861169-167		Max Crown GID, Set - Drilled
	63-861170-000		Max Red Crown GID, Single Pin - Drilled
	63-861170-167		Max Red Crown GID, Set - Drilled

## Setting Platform Assembly - Ten Pin

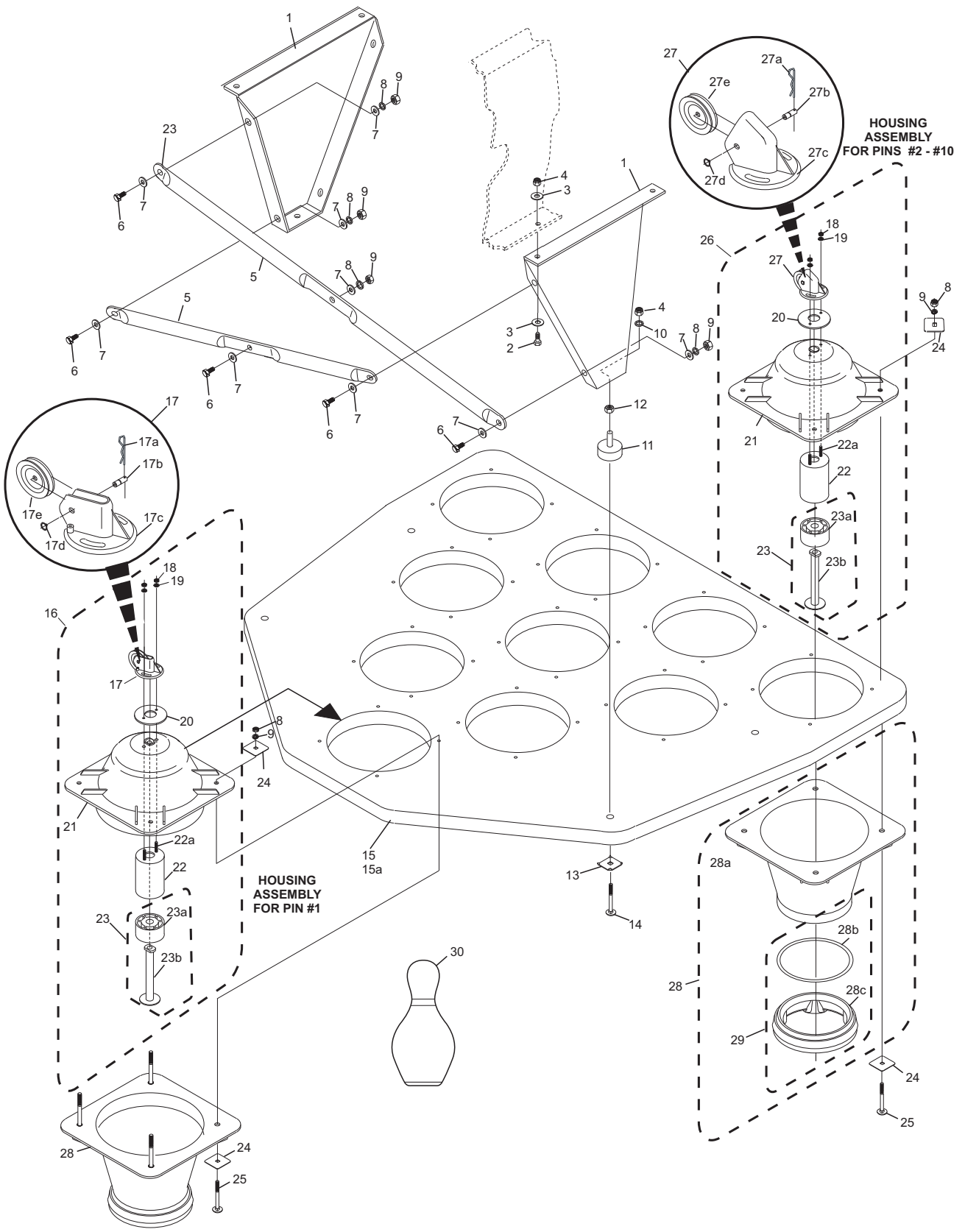


**Setting Platform Assembly - Ten Pin**

Index No.	Part No.	Package / Order Reference	Description
1.	55-081000-002		Platform Support Brace
2.	11-051019-001		Screw Hex. Cap. (M10 x 25 mm)
3.	11-052028-001		Flat Washer (M10)
4.	11-051745-001		Hex Locknut (M10)
5.	55-080239-003		Cross Support Brace
6.	11-051010-001		Screw Hex. Cap. (M8 x 20 mm)
7.	11-052003-001		Flat Washer (M8)
8.	11-051744-001		Hex Locknut (M8)
9.	11-051770-001		Lock Washer (M8)
10.	11-051771-001		Lock Washer (M10)
11.	55-080383-004		Rubber Bumper
12.	11-051703-001		Hex Nut (M10)
13.	55-082531-004		Square Washer
14.	11-052618-001		Metric Carriage Bolt
15.	55-278052-009		Setting Platform Assembly - Complete w/Cones
	15a. 55-082630-001		Setting Platform
16.	55-088307-009		Upper Centering Guide Housing Assembly for Pin #1
17.	55-082271-009		String Pulley Housing Assembly for Pin #1
	17a. 11-054300-000		Metric Spring Cotter
	17b. 55-082031-004		Idler Pulley Shaft
	17c. 55-082282-004		String Pulley Housing for Pin #1
	17d. 11-051855-000		Ring - Retaining, External
	17e. 55-030408-009		String Idler Pulley
18.	11-051743-001		Hex Locknut (M6)
19.	11-052048-001		Flat Washer (M10)
20.	55-082281-004		Pin Head Nut Plate
21.	55-082081-001		Upper Centering Guide Housing
22.	55-088304-000		Spacer - DuckPin Center Cone
	22a. 11-052813-001		Socket Set Screw (M6 x 35 mm)
23.	55-088306-009		Pin Head Stop Assembly
	23a. 55-082606-004		Pin Head Stop
	23b. 55-088305-000		Pin Head Stop Support (DuckPin)
24.	55-082608-004		Square Washer
25.	11-052616-001		Carriage Bolt (M8 x 65 mm)
26.	55-088308-009		Upper Centering Guide Housing Assembly for Pin #2-#10
27.	55-082270-009		String Pulley Housing Assembly for Pin #2 - #10
	27a. 11-054300-000		Metric Spring Cotter
	27b. 55-082031-004		Idler Pulley Shaft
	27c. 55-082279-003		String Pulley Housing for Pin #2 - #10
	27d. 11-051855-000		Ring - Retaining, External
	27e. 55-030408-009		String Idler Pulley
28.	55-088033-009		Lower Centering Guide Assembly
	28a. 55-082134-001		Lower Centering Guide Housing
	28b. 55-082136-004		Centering Guide Ring
	28c. 55-082135-003		Centering Guide.
29.	55-082138-009		Centering Guide Ring Assembly
30.	63-861002-000	63-861001-000	Duckpin - American, Drilled Set of 10

## Setting Platform Assembly - Duck Pin





Intentionally Blank Page

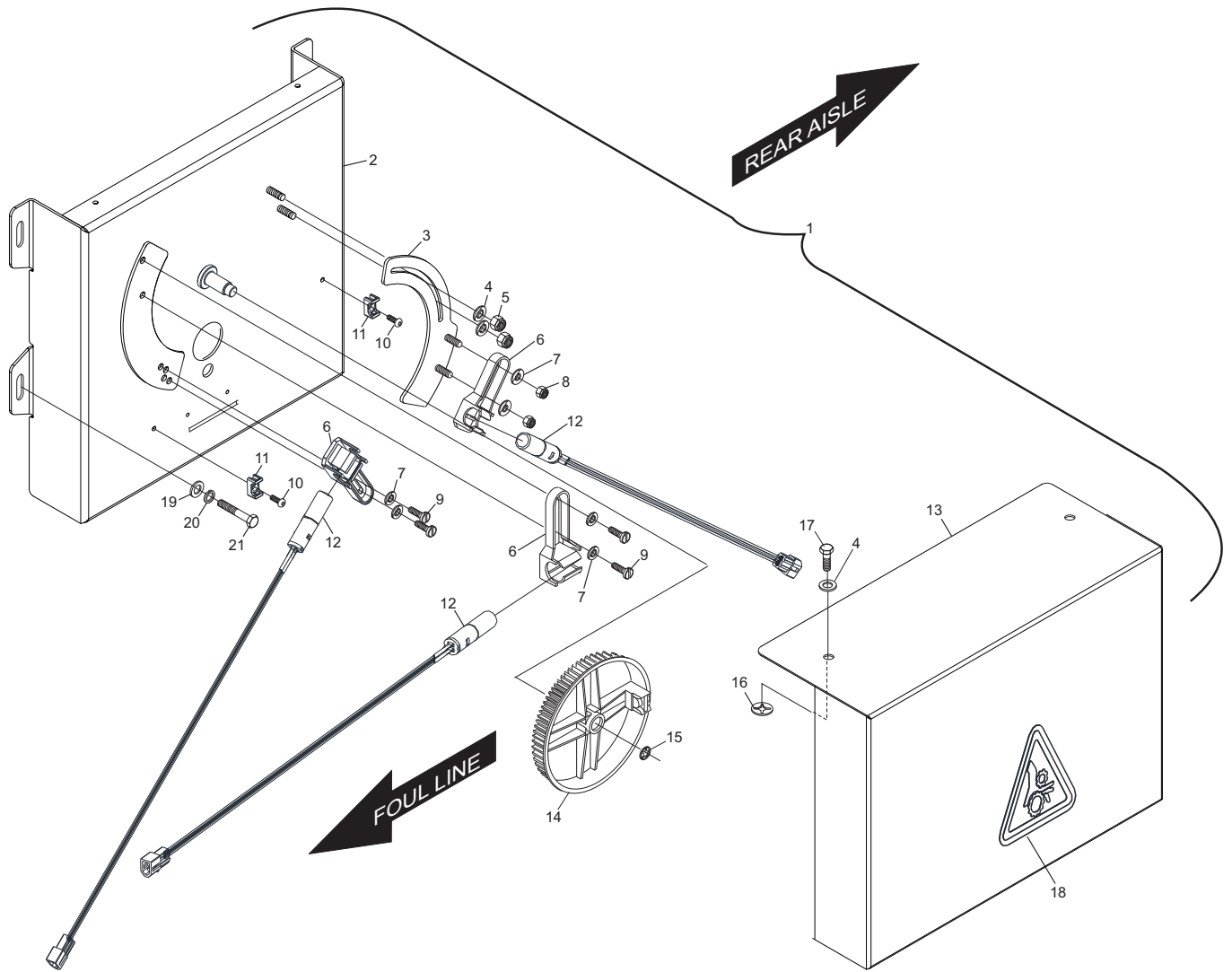
**Section E**

**Electronics**

<b>Index No.</b>	<b>Part No.</b>	<b>Package / Order Reference</b>	<b>Description</b>
1.	55-078115-009		Cluster Housing Assembly
2.	*55-078115-000		Cluster Housing
3.	55-078255-000		Switch Support 2 (Home Switch)
4.	11-052020-001		Flat Washer (5.3 mm x 12 mm x 1 mm)
5.	11-051742-001		Hex Locknut (M5)
6.	99-050181-004		Switch Holder
7.	11-052021-001		Flat Washer (4.3 mm x 12 mm x 1 mm)
8.	11-051741-001		Hex Locknut
9.	11-052354-001		Slotted Pan Head Machine Screw (M4 x 12 mm)
10.	11-054601-001		Pop Rivet
11.	99-226387-000		Cable Tie Holder
12.	55-143047-000		Assembly - Cluster Reed Switch
13.	55-078116-000		Cluster Cover
14.	55-078216-009		Cluster Gear Assembly
15.	11-053478-001		Quick Lock (Speed Nut)
16.	11-690553-000		Retainer - Push-On
17.	11-051069-001		Screw Hex Cap (M5 x 12 mm)
18.	99-268200-003		"Moving Parts" Safety Label
19.	11-052008-001		Flat Washer (10.5 mm x 20 mm x 2 mm)
20.	11-051769-001		Lock Washer (M10)
21.	11-051035-001		Screw Hex. Cap. (M6 x 16 mm)

\* *Not sold separately - order index number 1.*

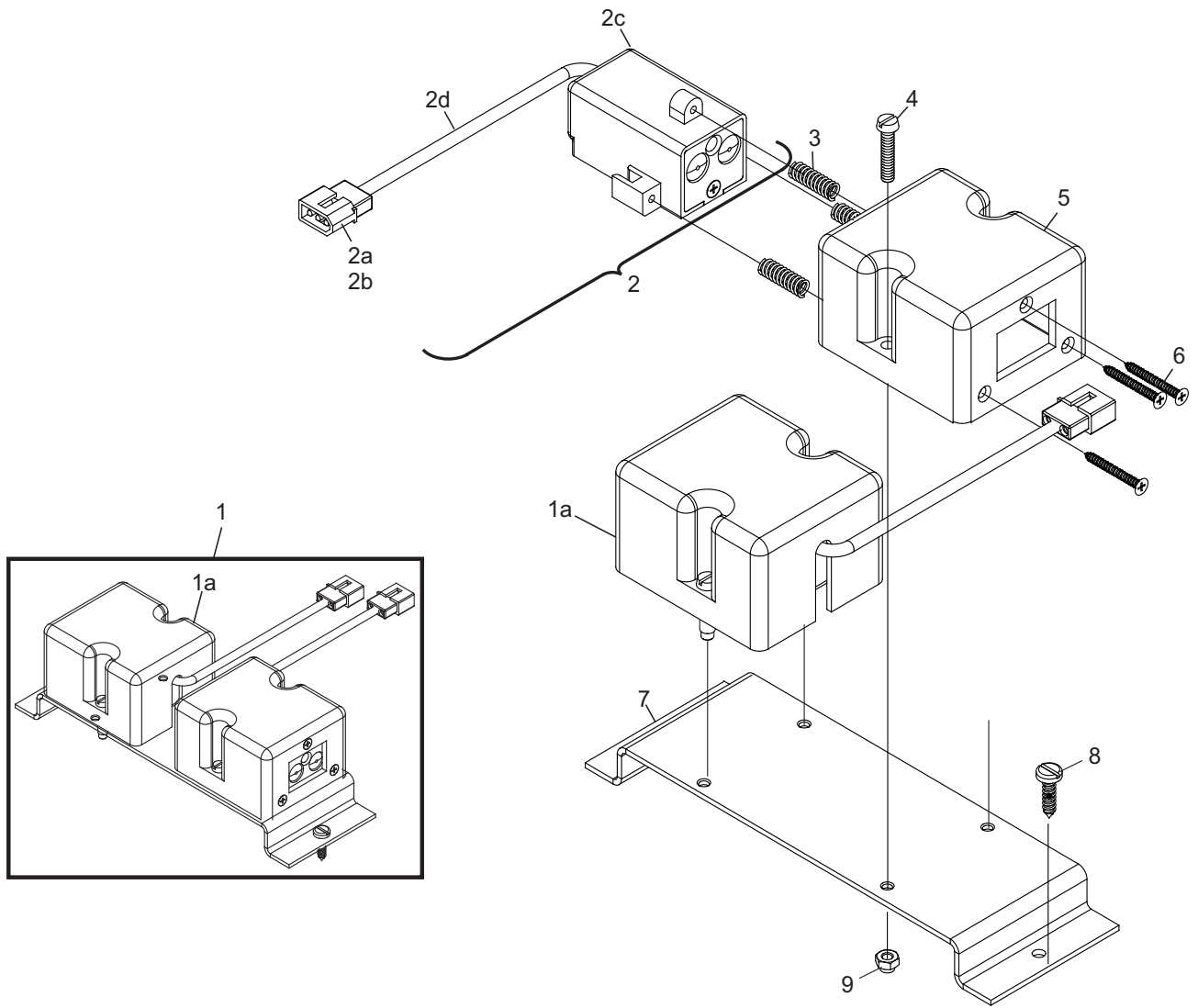
## Switch Cluster



## Switch Cluster

<b>Index No.</b>	<b>Part No.</b>	<b>Package / Order Reference</b>	<b>Description</b>
1.	99-087141-000		Ball Detect Assembly Complete
	1a. 99-087140-000		Ball Detect Only - Single Unit
2.	99-087139-000		Ball Detect Complete
	2a. 11-680101-000		Connector Plug (Molex)
	2b. 11-680302-000		Pin (Molex)
	2c. 99-080193-004		Ball Detector Box
	2d. 99-080269-004		Cable - Ball Detector
3.	99-080180-004		Compression Spring
4.	11-052211-001		Slotted Head Machine Screw
5.	99-080186-003		Ball Detect Housing
6.	11-086307-001		Flat Head Tapping Screw
7.	99-080213-003		Support Bracket
8.	11-053203-001		Tapping Screw
9.	11-051741-001		Metric Hex Locknut

## Ball Detect

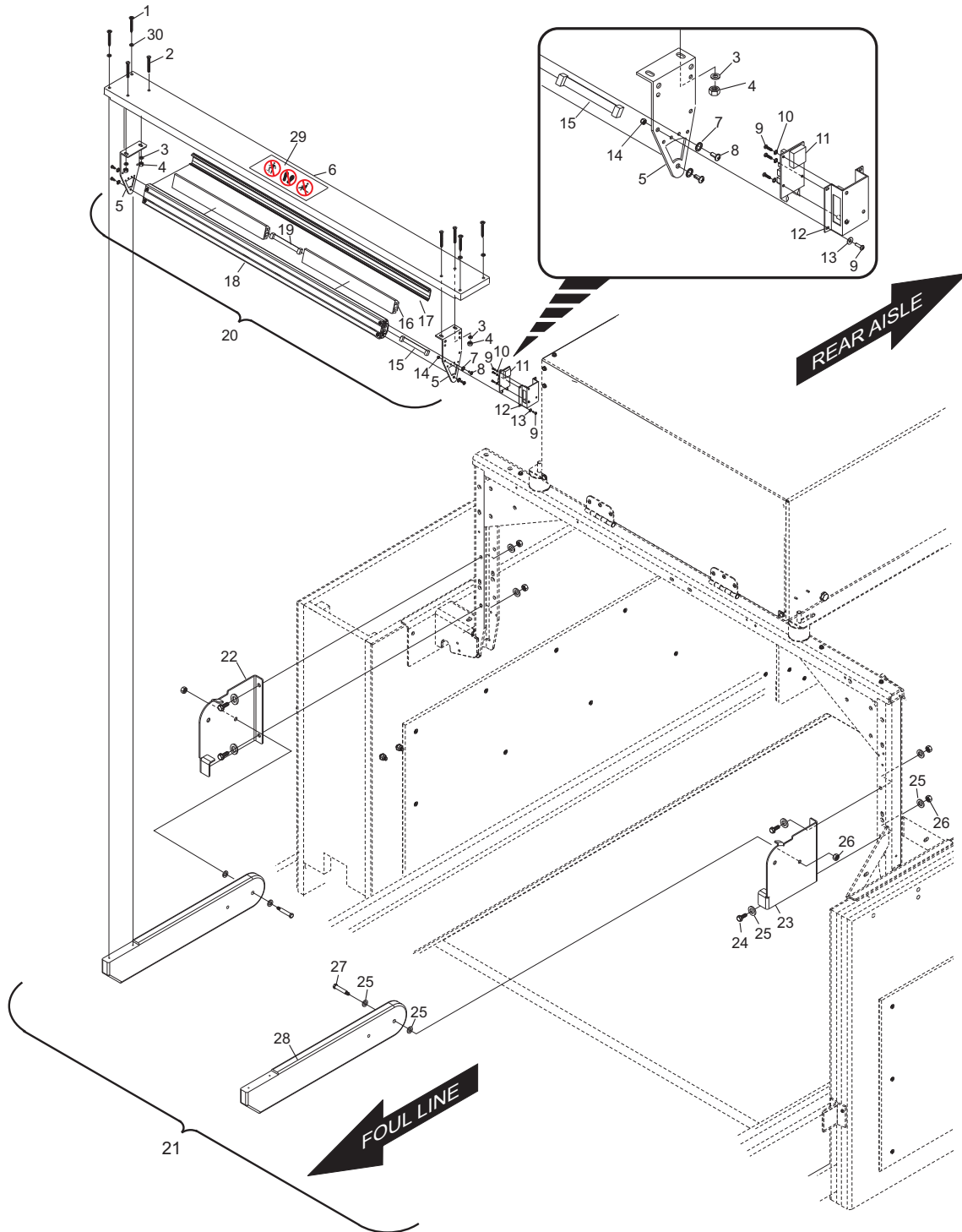


## Ball Detect

Index No.	Part No.	Package / Order Reference	Description
1.	11-081208-000		Screw - Flat Head Robertson (#10 X 2 Inch)
2.	11-051027-001		Screw Hex. Cap. (M5 x 40 mm)
3.	11-052020-001		Flat Washer (M5 x 12 mm)
4.	11-051742-001		Hex Locknut (M5)
5.	47-226757-000		LED Pinlight Bracket
6.	55-278163-002		Mounting Plate - Pin Light
7.	11-055013-015		Lock Washer - External Tooth (M5)
8.	11-053788-015		Screw (M5 x .8 mm x 12 mm)
9.	11-053800-015		Screw (M3 x .5 mm x 12 mm)
10.	11-055011-015		Lock Washer - External Tooth (M3)
11.	47-225589-000		Pin Light Controller PCB
12.	47-226856-000		Bracket for Pin Light Controller PCB
13.	11-052055-015		Washer (3.2 mm x 7 mm x .5 mm)
14.	11-051746-015		Locknut (M3)
15.	47-225111-000		Cable - Ribbon
16.	47-226586-000		LED Pinlight Board
17.	84-200242-302		Lens - LED Pinlight
18.	47-226549-000		LED Pinlight Enclosure
19.	47-226409-000		Cable - Ribbon
20.	47-226551-009		Assembly - LED Pinlight Complete With Brackets (Includes Index Numbers 5 - 19)
21.	55-868164-000		Pkg - Universal Pin Light Mount & Hardware - StringPin (Includes Index Numbers 1 - 4, 6, 22 - 32)
22.	55-278160-002		Pivot Bracket - Left
23.	55-278161-002		Pivot Bracket - Right
24.	11-051010-001		Screw Hex. Cap. (M8 x 20 mm)
25.	11-052017-001		Flat Washer (M8 x 15 mm)
26.	11-051744-001		Hex Locknut (M8)
27.	11-056101-001		Screw - Hex (M8 x 10 mm x 30 mm)
28.	55-278162-002		Pivot Arm - LED Pindeck Light
29.	11-681174-000		Label - Danger "No Step", "No Stand", "No Sit"
30.	11-190014-001		Flat Washer 3/8" (10.3 mm x 20 mm)
31.	47-226204-000		Assembly - Safety Pin (Not Shown)
32.	11-054728-001		Screw, P.H.C.R. Wood (M5 x 25 mm) For Safety Pin

## StringPin Pinlight



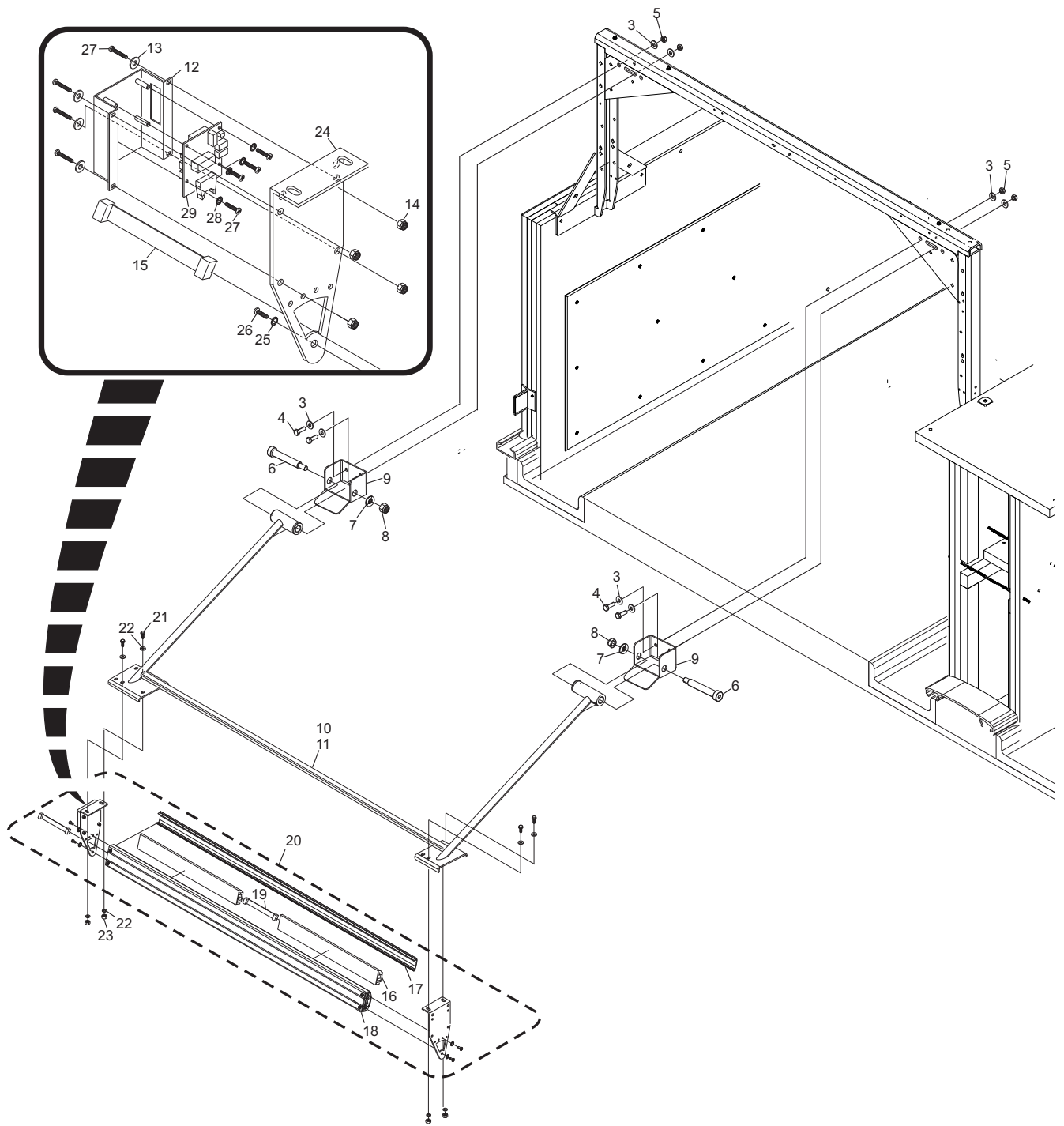


**StringPin Pinlight**

Index No.	Part No.	Package / Order Reference	Description
1.	55-278621-009		Pkg., L.H. Pivoting Pin Light (Left Lane) - shown
2.	*55-278615-009		Pkg., R.H. Pivoting Pin Light (Right Lane) - not shown
3.	11-052006-000		Flat Washer (8.4 mm x 20 mm x 2 mm)
4.	11-051015-001		Hex Cap Screw (M8 x 25 mm)
5.	11-051744-001		Metric Hex Locknut (M8)
6.	11-056104-000		Hex Socket Head Shoulder Bolt (M8 - 10 mm x 90 mm)
7.	11-052024-001		Flat Washer (13 mm x 30 mm x 16 mm)
8.	11-051747-001		Metric Hex Locknut (M12)
9.	55-278617-000		Frame Holder
10.	55-278622-000		L.H. Welded Frame - only (Left Lane) - shown
11.	*55-278616-000		R.H. Welded Frame - only (Right Lane) - not show
12.	47-226856-000		Bracket for Pin Light Controller PCB
13.	11-052055-001		Washer (3.2 mm x 7 mm x .5 mm)
14.	11-051746-015		Locknut (M3)
15.	47-225111-000		Cable - Ribbon
16.	47-226586-000		LED Pinlight Board
17.	84-200242-302		Lens - LED Pinlight
18.	47-226549-000		LED Pinlight Enclosure
19.	47-226409-000		Cable - Ribbon
20.	47-226551-009	47-860017-000	Assembly - LED Pinlight Complete With Brackets (Includes Index Numbers 12 - 19)
21.	11-051027-001		Screw Hex. Cap. (M5 x 40 mm)
22.	11-052020-001		Flat Washer (M5 x 12 mm)
23.	11-051742-001		Hex Locknut (M5)
24.	47-226757-000		LED Pinlight Bracket
25.	11-055013-001		Lock Washer - External Tooth (M5)
26.	11-053788-001		Screw (M5 x .8 mm x 12 mm)
27.	11-053800-001		Screw (M3 x .5 mm x 12 mm)
28.	11-055011-015		Lock Washer - External Tooth (M3)
29.	47-225589-000		Pin Light Controller PCB

\* = Not Illustrated

## StringPin Pivoting Pinlight

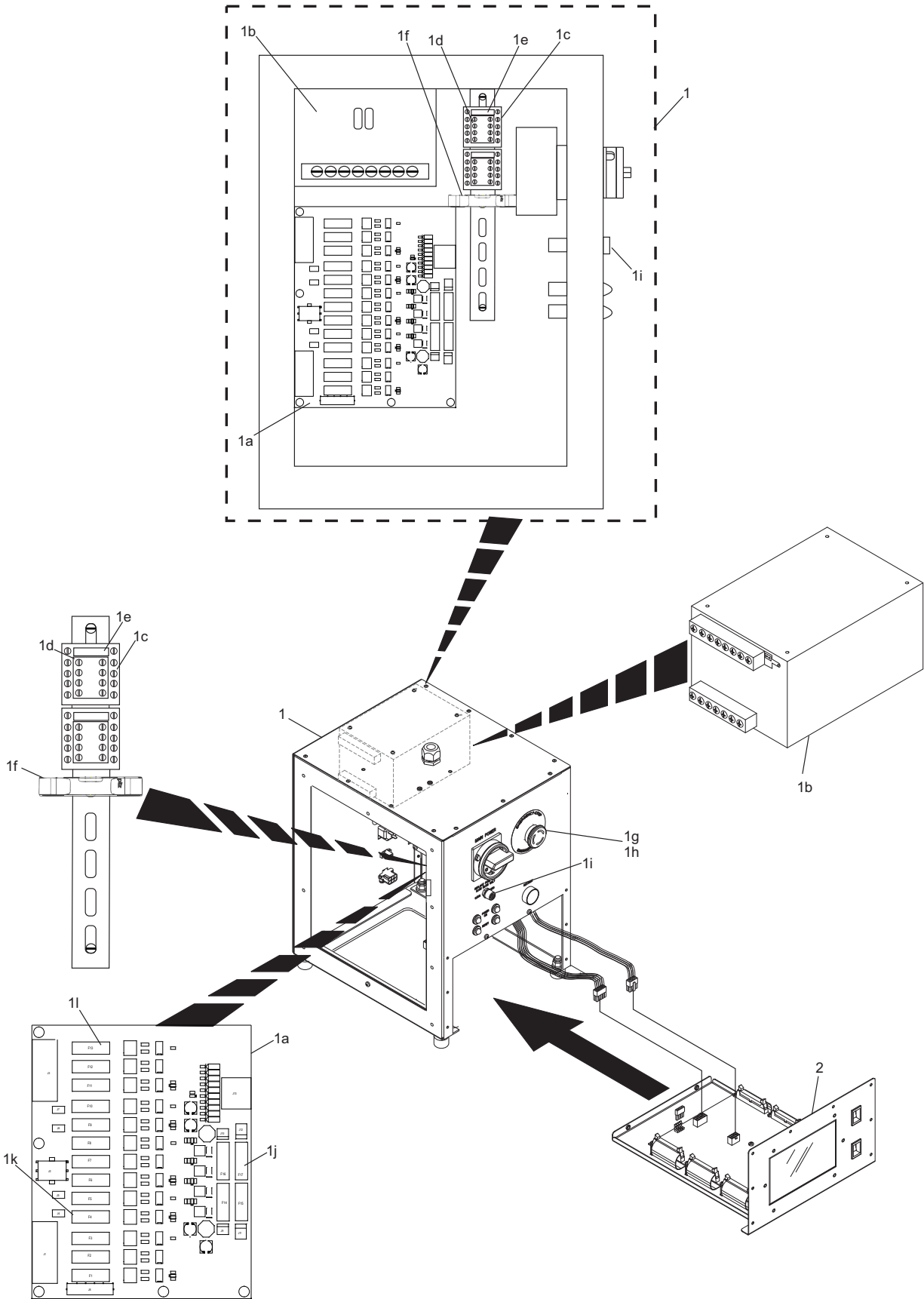


### StringPin Pivoting Pinlight

Index No.	Part No.	Package / Order Reference	Description
1.	55-143072-000	55-860056-000	Pkg. 360 Controller Assembly - StringPin UL
	55-143026-000	55-860057-000	Pkg. 360 Controller - StringPin CE
1a.	55-143008-230	55-860059-230	High Voltage PCB (230V)
	55-143008-380	55-860059-380	High Voltage PCB (380V)
1b.	11-696982-000	55-860060-000	Power Supply (24V)
1c.	*11-671007-xxx		Power Contactor -12A
1d.	*11-671008-xxx		Contact Block - NC/NO
1e.	*11-671009-xxx		Surge Suppressor 24V
1f.	11-696694-000		Controller - Pilz (CE Only)
1g.	11-616037-000		Holder, Contact Block - Emergency Stop
1h.	11-616036-000		Button - Emergency Stop
1i.	11-685056-000		Fuse 250V .5A Fast Blo
1j.	11-685061-000	57-861636-000	Fuse 250V 1.0A Slow Blow - Pkg of 4 (Not Shown)
1k.	11-685062-000	14-860242-000	Fuse 250V 2.0A Slow Blow - Pkg of 5 (Not Shown)
1l.	11-685067-000	57-861874-000	Fuse 250V 3.0A Slow Blow - Pkg of 4 (230V Only)
2.	55-143054-400	55-860058-400	Slide Out Assembly - StringPin Ver 1.0 (Replaced by 55-860058-401)
	55-143054-401	55-860058-401	Slide Out Assembly - StringPin Ver 1.1.27 (Replaced by 55-860064-400)
	55-143090-400	55-860064-400	Slide Out Assembly - StringPin Ver 1.1.27
2a.	11-685060-000	47-862854-000	Fuse 250V 3.15 A Fast Blo - Pkg of 5 (Not Shown)

\* xxx - 000 or 100 (Do Not Mix)

## 360 Controller



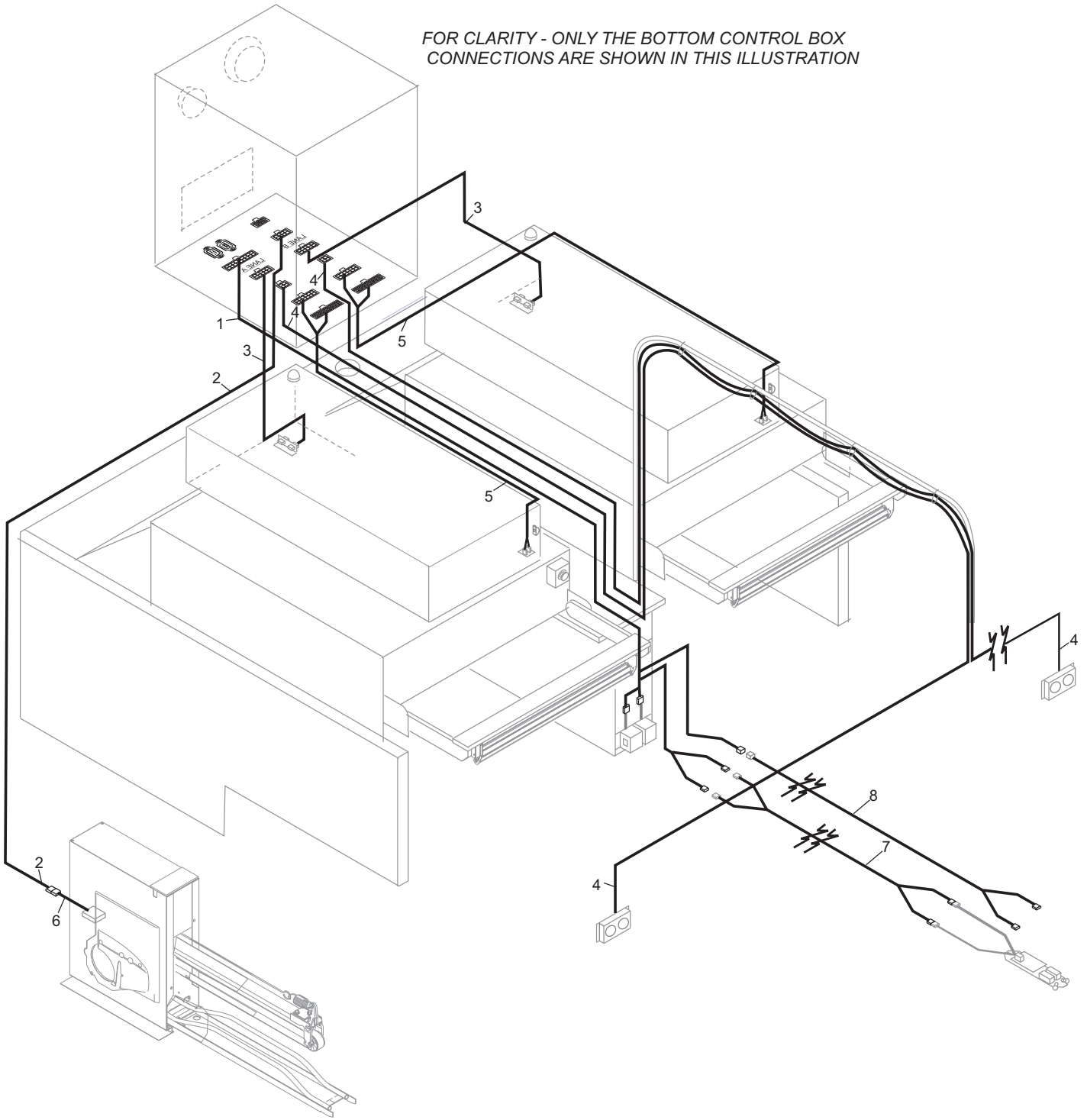
### 360 Controller

<b>Index No.</b>	<b>Part No.</b>	<b>Package / Order Reference</b>	<b>Description</b>
1.	55-143016-xxx		Foul Unit/ Ball Detect/ Ball Lift Cable Assembly
2.	55-143014-xxx		StringPin Ball Accelerator Overload Cable Assembly
3.	55-143068-xxx		StringPin Switch Cluster Ext Cable Assembly
4.	55-143015-xxx		1st/2nd Ball LED Lights Masking Unit Cable Assembly
5.	55-143012-xxx		Cable Assembly, String Pinsetter Control to PMI
6.	47-245429-004		Overload Switch Cable
7.	68-100659-000	47-862717-000	Foul To Optical Trigger Cable Assembly
8.	53-520588-000	53-860691-000	Lane Cable To Ball Lift

*xxx - 000 for rear mount controller  
100 for front mount controller  
200 for separated lane pair*

## **StringPin 360 Controller Bottom Connection Cabling**

FOR CLARITY - ONLY THE BOTTOM CONTROL BOX CONNECTIONS ARE SHOWN IN THIS ILLUSTRATION



### StringPin 360 Controller Bottom Connection Cabling

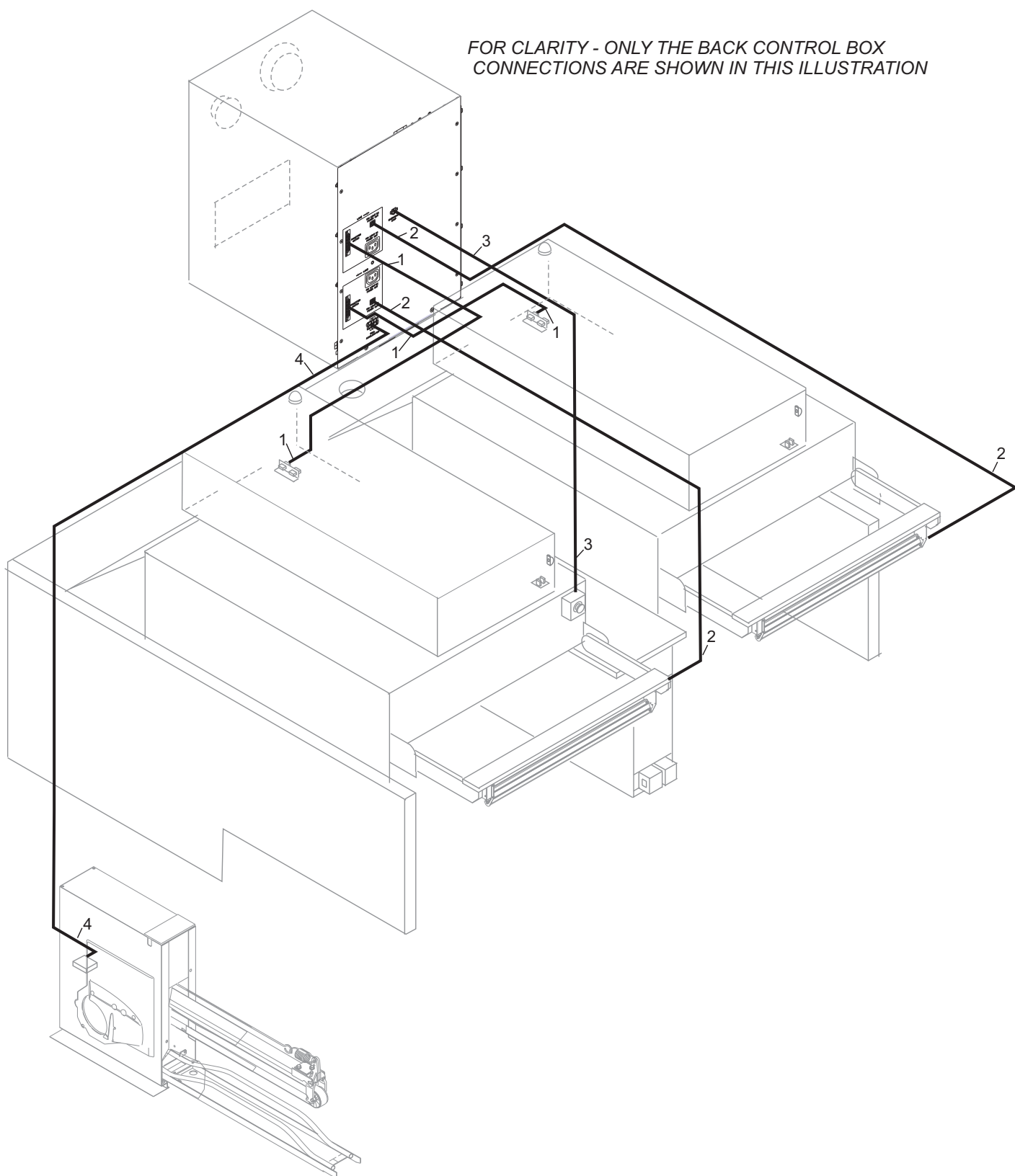
<b>Index No.</b>	<b>Part No.</b>	<b>Package / Order Reference</b>	<b>Description</b>
1.	55-143067-xxx		StringPin Motor Power Cable Assembly
2.	55-143069-xxx		String Pinsetter DC Pin Light Cable Assembly
3.	55-143013-xxx		Emergency Stop Box Assembly w/Cable
4.	47-246311-004		Ball Accelerator Motor Cable Assembly

*xxx - 000 for rear mount controller  
100 for front mount controller  
200 for separated lane pair*

## **StringPin 360 Controller Back Connection Cabling**



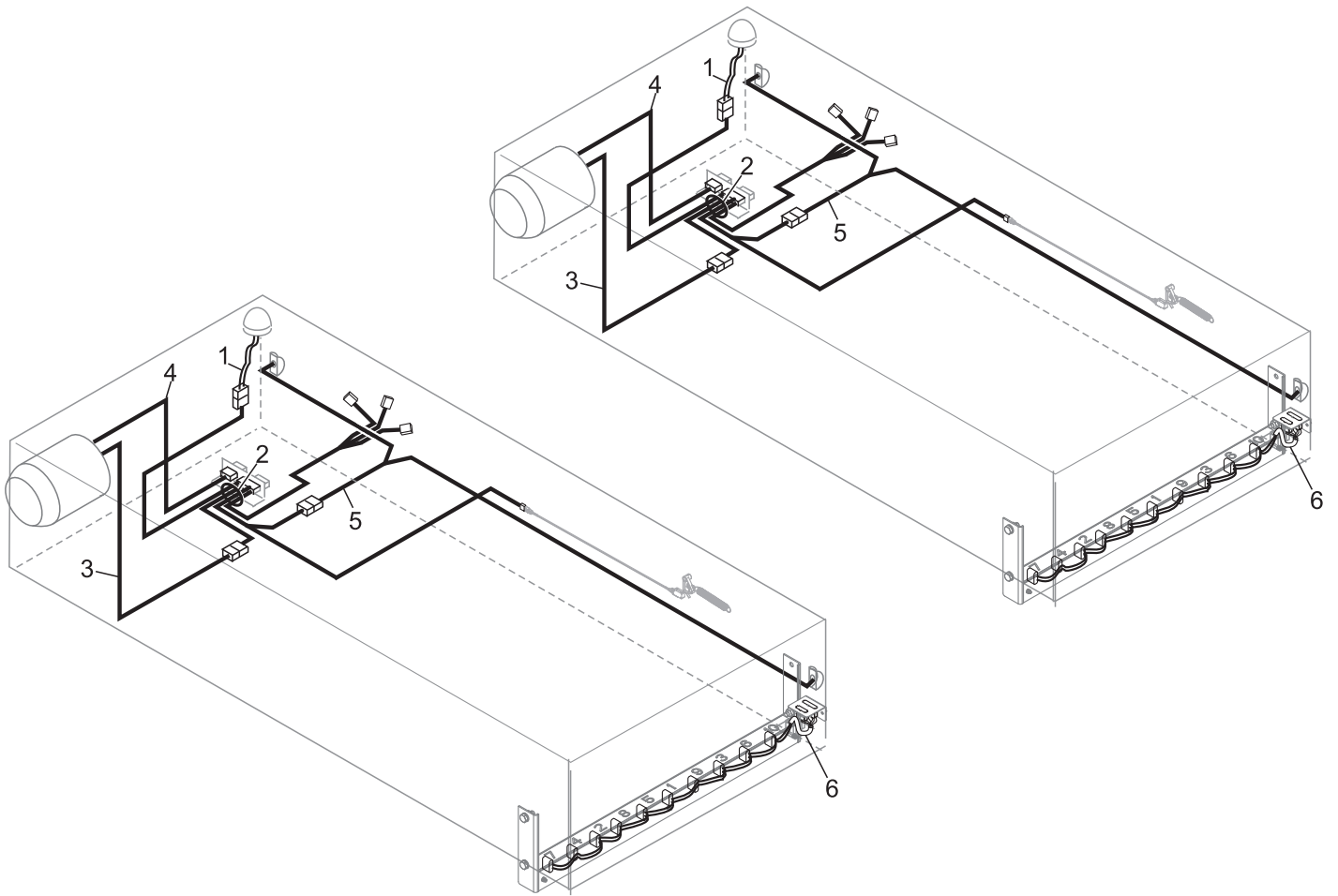
FOR CLARITY - ONLY THE BACK CONTROL BOX CONNECTIONS ARE SHOWN IN THIS ILLUSTRATION



### StringPin 360 Controller Back Connection Cabling

<b>Index No.</b>	<b>Part No.</b>	<b>Package / Order Reference</b>	<b>Description</b>
1.	55-143019-000		StringPin Trouble Light Cable Assembly
2.	55-143010-000		StringPin Switch Cluster Cable
3.	55-143018-000		StringPin Motor Overload Cable
4.	55-143011-000		String Pinsetter Motor Cable Assembly
5.	55-143017-000		Mechanic's Stop Switch Cable Assembly
6.	55-143009-000		Pin Station Cable Assembly

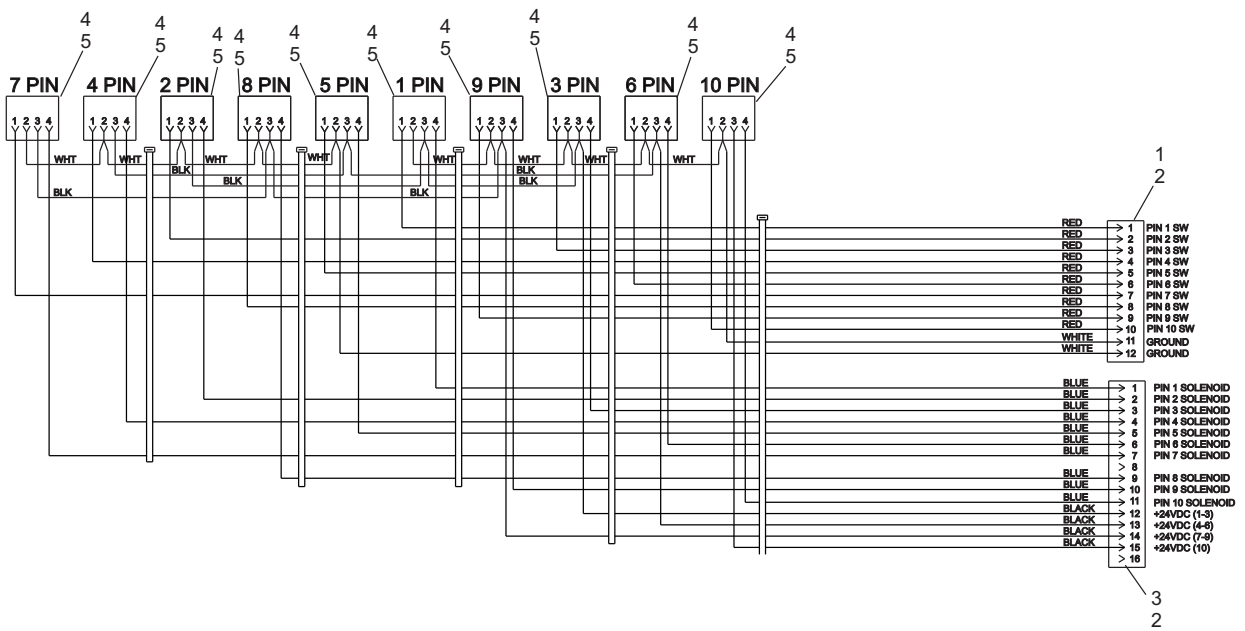
## String Pinsetttter Internal Cabling



## String Pinsetter Internal Cabling

<b>Index No.</b>	<b>Part No.</b>	<b>Package / Order Reference</b>	<b>Description</b>
1.	11-692212-000		Connector Housing (12 Position Mini-Fit Jr.)
2.	11-692090-000		Terminal (Mini-Fit Jr. - Male)
3.	11-692005-000		Connector Housing (16 Position Mini-Fit Jr.)
4.	11-680301-000		Terminal (.062 Female)
5.	11-680205-000		Connector Housing (4 Position .062)

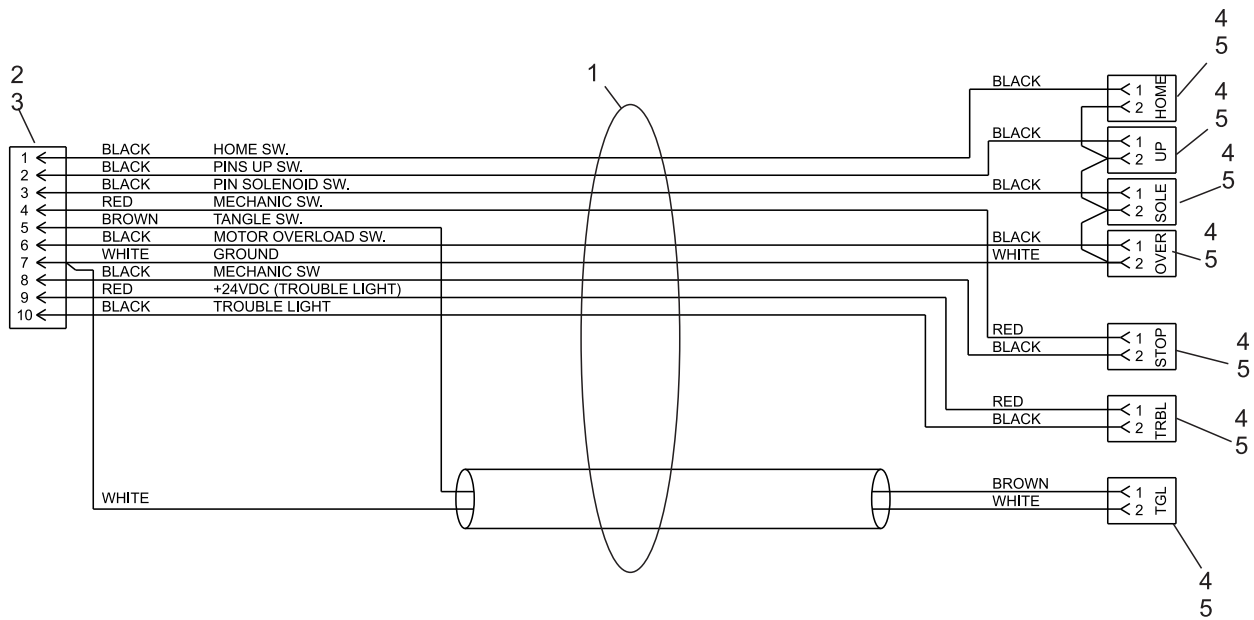
**Pin Station Cable Assembly  
55-143009-000**



**Pin Station Cable Assembly  
55-143009-000**

<b>Index No.</b>	<b>Part No.</b>	<b>Package / Order Reference</b>	<b>Description</b>
1.	55-143010-000		StringPin Switch Cluster Cable Assembly
2.	11-692210-000		Connector Housing (10 Position Mini-Fit Jr.)
3.	11-692090-000		Terminal (Mini-Fit Jr. - Male)
4.	11-680216-000		Connector Housing (2 Position .062)
5.	11-680301-000		Terminal (.062 Female)

**StringPin Switch Cluster Cable Assembly  
55-143010-000**



**StringPin Switch Cluster Cable Assembly**  
**55-143010-000**

<b>Index No.</b>	<b>Part No.</b>	<b>Package / Order Reference</b>	<b>Description</b>
1.	55-143011-000		String Pinsetter Motor Cable Assembly
2.	11-612010-000		Terminal - #8 Stud
3.	11-696738-000		4 Position Mate-N-Lok
4.	11-696737-000		Terminal - Socket, Mate-N-Lok

**StringPin Pinsetter Motor Cable Assembly  
55-143011-000**



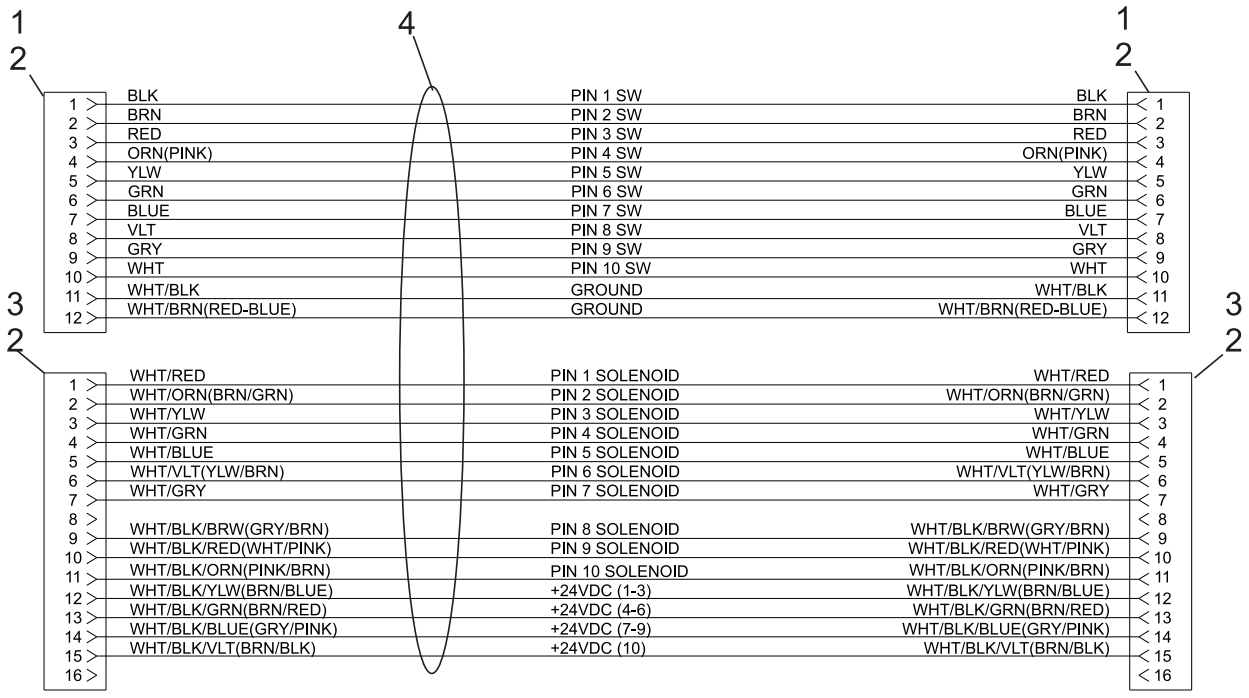


**StringPin Pinsetter Motor Cable Assembly**  
**55-143011-000**

<b>Index No.</b>	<b>Part No.</b>	<b>Package / Order Reference</b>	<b>Description</b>
1.	11-692312-000		Connector Housing (12 Position Mini-Fit Jr.)
2.	11-692091-000		Terminal (Mini-Fit Jr. - Female)
3.	11-692856-000		Connector Housing (16 Position Mini-Fit Jr.)
4.	55-143012-xxx		Cable Assembly, String Pinsetter Control to PMI

*xxx - 000 for rear mount controller  
100 for front mount controller  
200 for separated lane pair*

**StringPin 360 Controller to PMI  
55-143012-XXX**

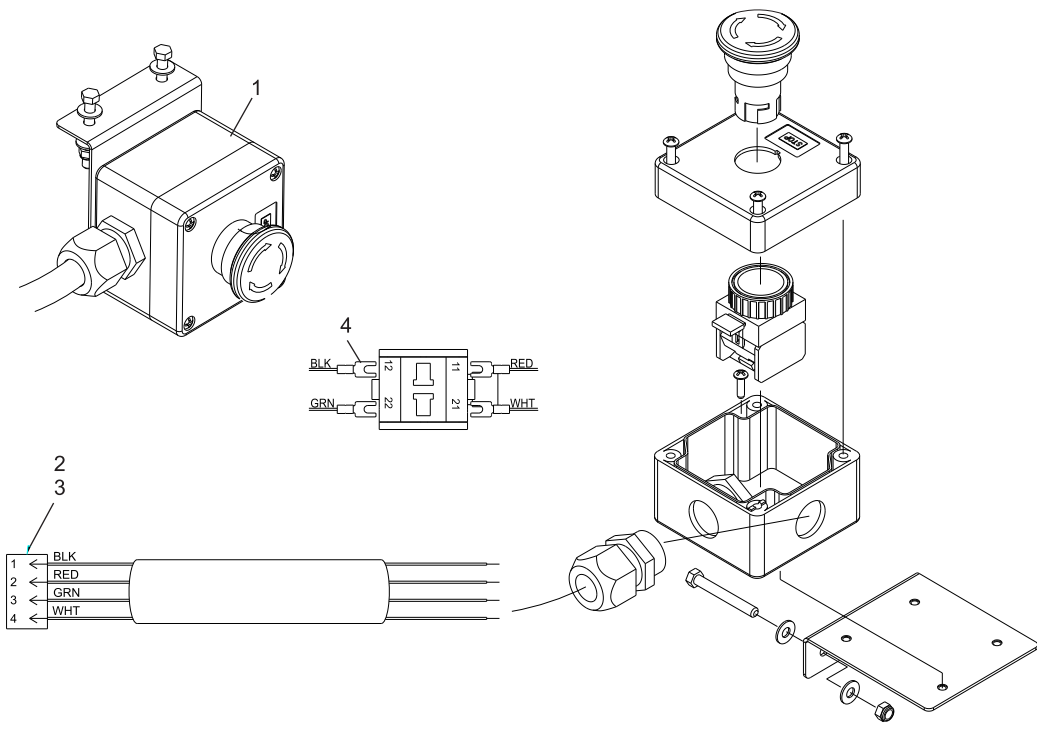


**StringPin 360 Controller to PMI  
55-143012-XXX**

<b>Index No.</b>	<b>Part No.</b>	<b>Package / Order Reference</b>	<b>Description</b>
1.	55-143013-xxx		Emergency Stop Box Assembly
2.	11-692091-000		Terminal (Mini-Fit Jr. - Female)
3.	11-692304-000		Connector Housing (4 Position Mini-Fit Jr.)
4.	11-612000-000		Terminal - Fork #6

*xxx - 000 for rear mount controller  
100 for front mount controller  
200 for separated lane pair*

**StringPin Emergency Stop Box - Rear Mount Cable  
55-143013-xxx**

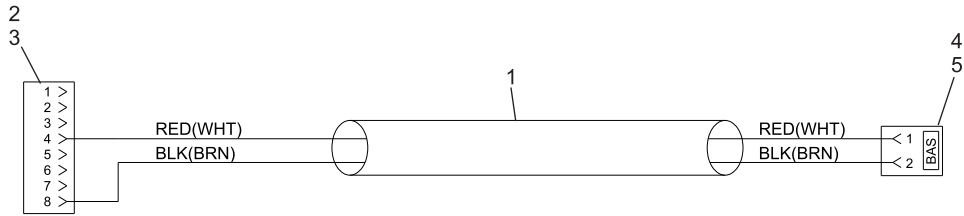


**StringPin Emergency Stop Box - Rear Mount Cable**  
**55-143013-xxx**

<b>Index No.</b>	<b>Part No.</b>	<b>Package / Order Reference</b>	<b>Description</b>
1.	55-143014-xxx		StringPin Ball Accelerator Overload Cable Assembly
2.	11-692091-000		Terminal - (Mini-Fit Jr. - Female)
3.	11-692308-000		Connector Housing (8 Position Mini-Fit Jr.)
4.	11-690216-000		Connector Housing (2 Position .062)
5.	11-680301-000		Terminal (.062 Female)

*xxx - 000 for rear mount controller  
100 for front mount controller  
200 for separated lane pair*

**Ball Accelerator Overload Cable - Rear Mount Cable  
55-143014-XXX**



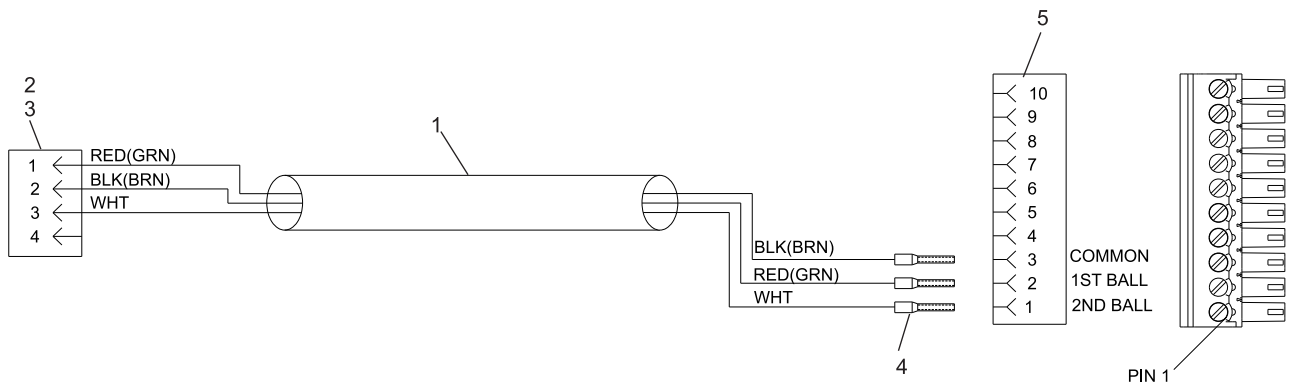
**Ball Accelerator Overload Cable - Rear Mount Cable**  
**55-143014-XXX**

<b>Index No.</b>	<b>Part No.</b>	<b>Package / Order Reference</b>	<b>Description</b>
1.	55-143015-xxx		1st/2nd Ball LED Lights Masking Unit Cable Assembly
2.	11-692091-000		Terminal (Mini-Fit Jr. - Female)
3.	11-692304-000		Connector Housing (4 Position Mini-Fit Jr.)
4.	11-680831-000		Ferrule
5.	11-697996-000		Connector Housing (10 Position)

*xxx - 000 for rear mount controller  
100 for front mount controller  
200 for separated lane pair*

**1st and 2nd Ball LED lights Cable Assembly  
55-143015-XXX**



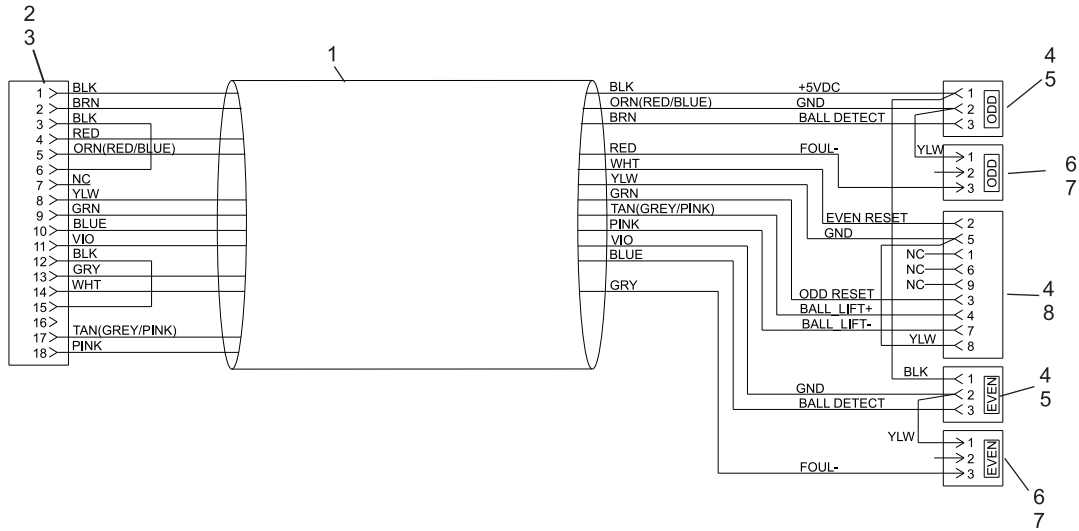


**1st and 2nd Ball LED lights Cable Assembly  
55-143015-XXX**

<b>Index No.</b>	<b>Part No.</b>	<b>Package / Order Reference</b>	<b>Description</b>
1.	55-143016-xxx		Foul Unit/ Ball Detect/ Ball Lift Cable Assembly
2.	11-692091-000		Terminal (Mini-Fit Jr. - Female)
3.	11-692318-000		Connector Housing (18 Position Mini-Fit Jr.)
4.	11-680301-000		Terminal (.062 Female)
5.	11-680201-000		Connector Housing (3 Position .062 Receptacle)
6.	11-680302-000		Terminal - (.062 Male)
7.	11-680101-000		Connector Housing (3 Position .062 Plug)
8.	11-680204-000		Connector Housing (9 Position .062 Receptacle)

*xxx - 000 for rear mount controller  
100 for front mount controller  
200 for separated lane pair*

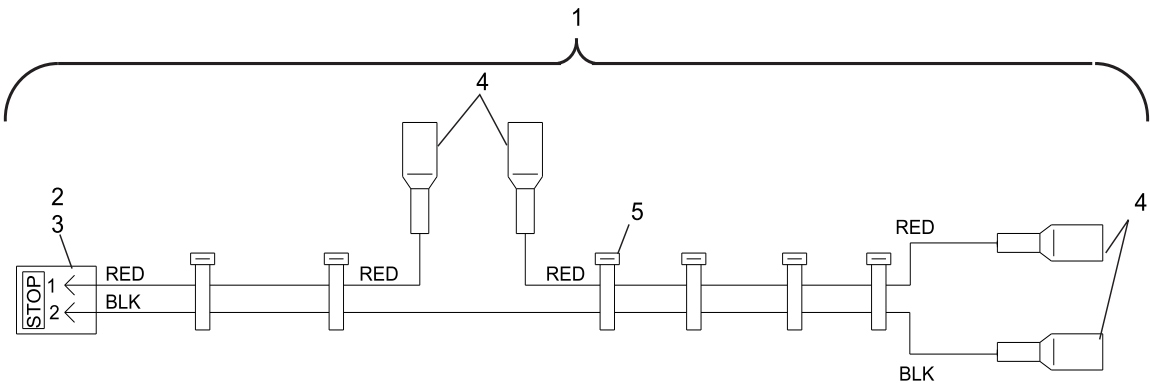
**Foul/Ball lift/ Ball Detect ,Cable Assembly  
55-143016-XXX**



**Foul/Ball lift/ Ball Detect ,Cable Assembly  
55-143016-XXX**

<b>Index No.</b>	<b>Part No.</b>	<b>Package / Order Reference</b>	<b>Description</b>
1.	55-143017-000		String Pinsetter Mechanic's Stop Switch Cable Assembly
2.	11-680116-000		Connector Housing (2 Position .062 Plug)
3.	11-680302-000		Terminal - (.062 Male)
4.	11-612152-000		Terminal - Faston
5.	11-603115-000		Wire Tie - 4"

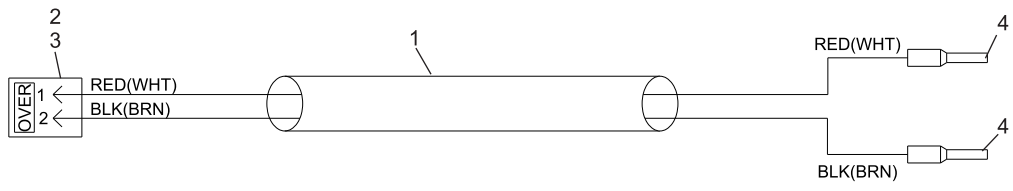
**String Pinsetter Mechanic's Stop Switch Cable Assembly  
55-143017-000**



**String Pinsetter Mechanic's Stop Switch Cable Assembly  
55-143017-000**

<b>Index No.</b>	<b>Part No.</b>	<b>Package / Order Reference</b>	<b>Description</b>
1.	55-143018-000		StringPin Motor Overload Cable Assembly
2.	11-680116-000		Connector Housing (.062 Plug)
3.	11-680302-000		Terminal (.062 - Male
4.	11-680831-000		erminal Ferulle

**String Pinsetter Motor Overload Cable Assembly  
55-143018-000**

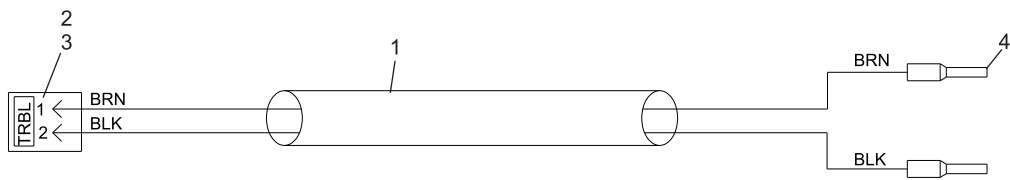


**String Pinsetter Motor Overload Cable Assembly**  
**55-143018-000**

<b>Index No.</b>	<b>Part No.</b>	<b>Package / Order Reference</b>	<b>Description</b>
1.	55-143019-000		StringPin Trouble Light Cable Assembly
2.	11-680116-000		Connector Housing (.062 Plug)
3.	11-680302-000		Terminal (.062 - Male
4.	11-680831-000		Terminal Ferulle

**String Pinsetter Trouble light Cable Assembly  
55-143019-000**



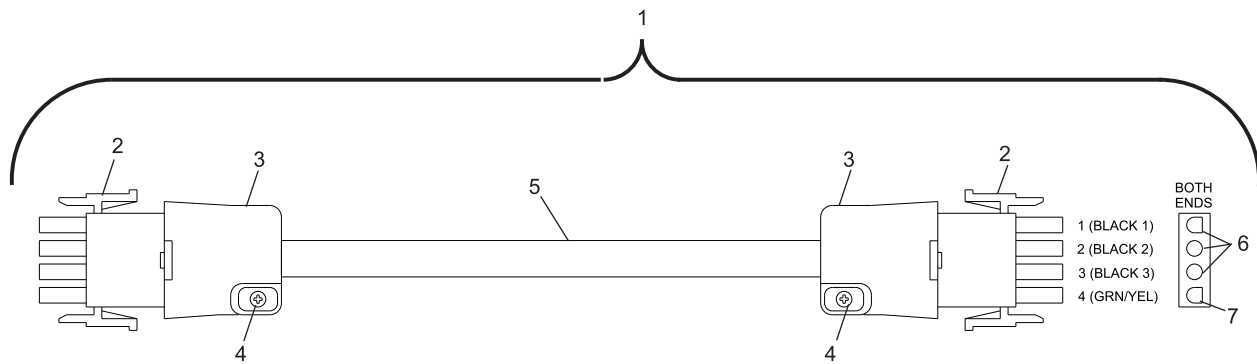


**String Pinsetter Trouble Light Cable Assembly**  
**55-143019-000**

<b>Index No.</b>	<b>Part No.</b>	<b>Package / Order Reference</b>	<b>Description</b>
1.	55-143067-xxx		StringPin Motor Power Cable Assembly
2.	11-696703-000		Connector Housing (4 Position Mate-N-Lok Plug)
3.	11-696721-000		Strain Relief, Cover (4 Position)
4.	11-082521-001		Screw (#6 x 3/8")
5.	27-619208-000		4 Conductor Cable (4500 mm)
6.	11-696736-000		Terminal - Pin, Mate-N-Lok
7.	11-696735-000		Terminal - Pin, Mate-N-Lok, Ground

*xxx - 000 for rear mount controller  
 100 for front mount controller  
 200 for separated lane pair*

**StringPin Motor Power, Cable Assembly - Rear Mount Cable**  
**55-143067-XXX**

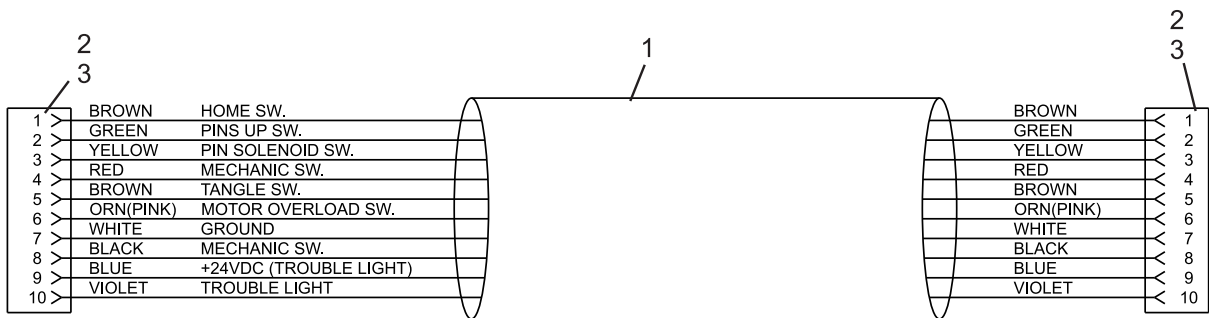


**StringPin Motor Power, Cable Assembly - Rear Mount Cable  
55-143067-XXX**

<b>Index No.</b>	<b>Part No.</b>	<b>Package / Order Reference</b>	<b>Description</b>
1.	55-143068-xxx		String Pinsetter Switch Cluster EXT Cable Assembly
2.	11-692309-000		Connector Housing (10 Position Mini-Fit Jr. Receptacle)
3.	11-692091-000		Terminal (Mini-Fit Jr. - Female)

*xxx - 000 for rear mount controller  
100 for front mount controller  
200 for separated lane pair*

**String Pinsetter Switch Cluster EXT Cable Assembly  
55-143068-XXX**

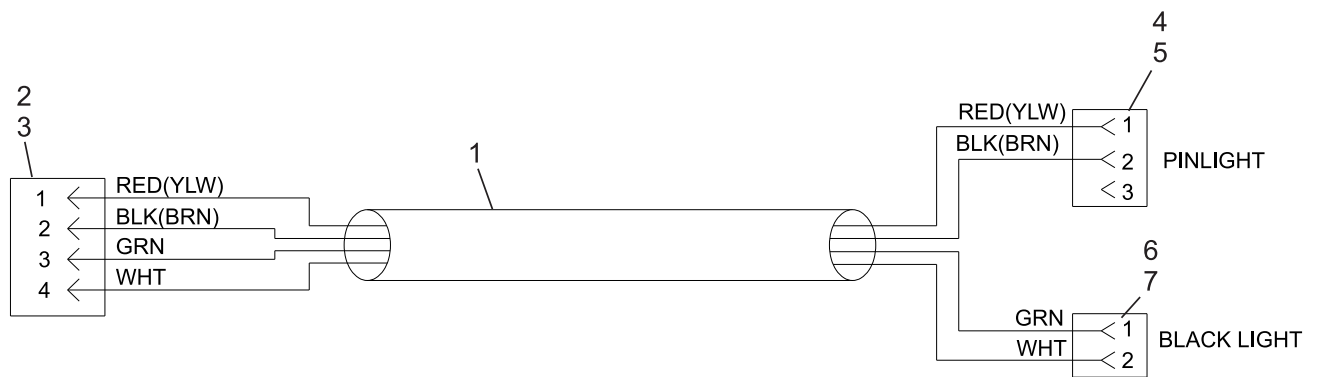


**String Pinsetter Switch Cluster EXT Cable Assembly  
55-143068-XXX**

<b>Index No.</b>	<b>Part No.</b>	<b>Package / Order Reference</b>	<b>Description</b>
1.	55-143069-xxx		String Pinsetter DC Pinlight Cable Assembly
2.	11-680019-000		Connector Housing (2 Position Plug .062)
3.	11-680302-000	57-860032-000	Terminal (.062 Male), Pkg Qty - 10
4.	11-697237-000		Connector Housing (3 Position .100kk)
5.	11-680326-000		Terminal (.100kk)
6.	11-697204-000		Connector Housing (2 Position.156kk)
7.	11-680322-000		Terminal (.156kk)

xxx - 000 for rear mount controller  
100 for front mount controller  
200 for separated lane pair

**String Pinsetter DC Pinlight Cable Assembly  
55-143069-XXX**



**String Pinsetter DC Pinlight Cable Assembly  
55-143069-XXX**

Intentionally Blank Page

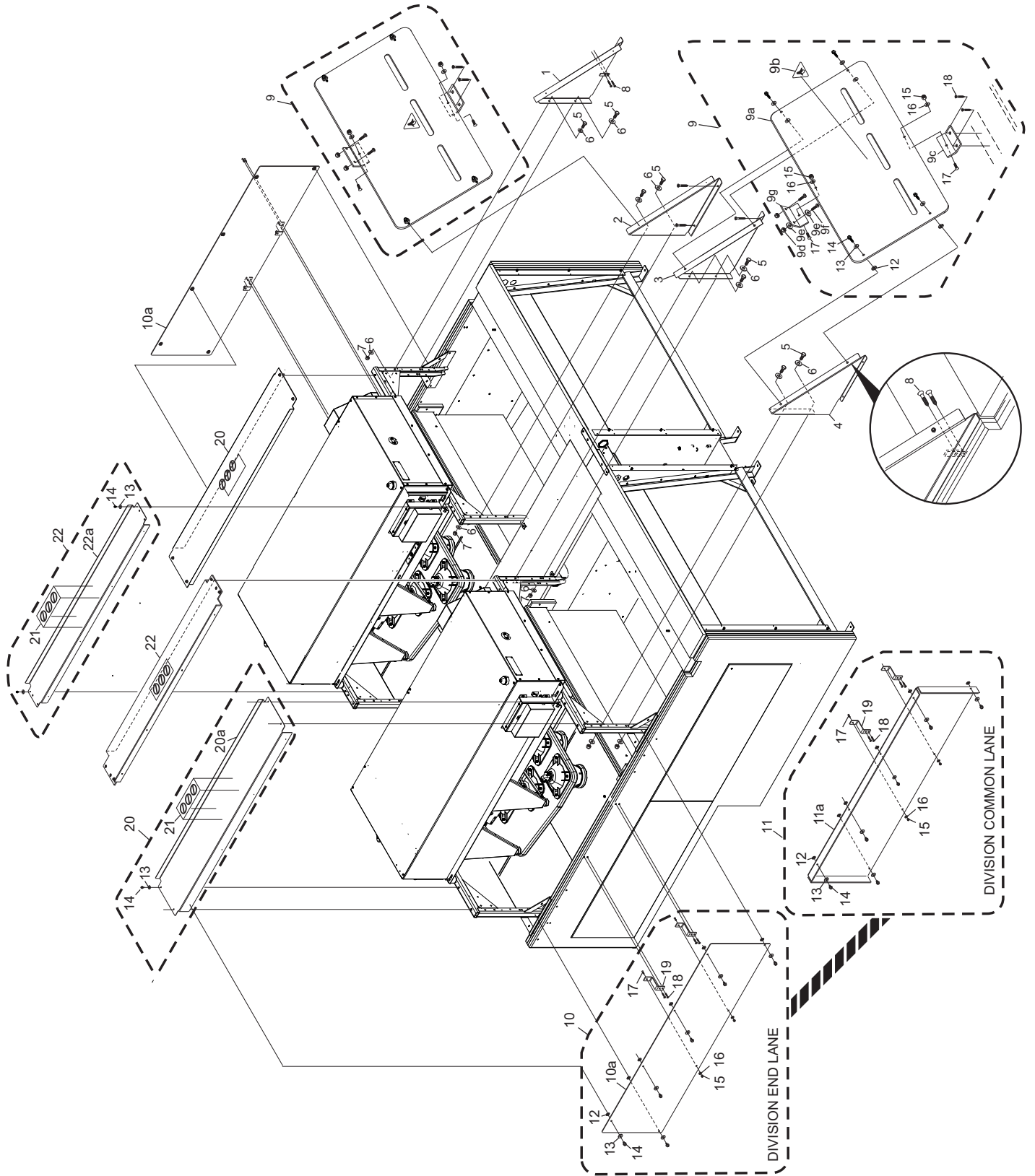


## **Section F**

# **Guards and Safety**

Index No.	Part No.	Package / Order Reference	Description
1.	55-098075-001		Division Side Frame Guard - Left Lane
2.	55-098076-001		Walkway Side Frame Guard - Left Lane
3.	55-098064-001		Walkway Side Frame Guard - Even Lane
4.	55-098063-001		Division Side Frame Guard - Even Lane
5.	11-051015-001		Hex Cap Screw (M8 x 25 mm)
6.	11-052006-001		Washer (8.4 mm x 20 mm x 2 mm)
7.	11-051744-001		Locknut
8.	11-051894-000		T-25 Torx Wood Screw (M5 x 35 mm)
9.	55-098090-009		Assembly - Rear PC Guard Plate
9a.	55-098090-001		Rear PC Guard Plate - (Plate Only)
9b.	99-268200-003		"Moving Parts" Safety Label
9c.	55-098083-001		Rear PC Guard Bottom Holder
9d.	11-051742-001		Locknut (M5)
9e.	11-052039-001		Washer (5.3 mm x 15 mm x 1.2 mm)
9f.	11-053781-001		Pan Head Screw (M5 x 20 mm)
9g.	55-098084-001		Rear PC Guard Top Holder
10.	55-098091-009		Assembly - Division Guard Plate - End Lane
10a.	55-098091-001		Division Guard Plate - End Lane (Plate Only)
11.	55-098086-009		Assembly - Division Guard Plate - Common Lane
11a.	55-098086-001		Division Guard Plate - Common Lane (Plate Only)
12.	11-690553-000		Retainer - Push On
13.	11-052020-001		Washer (5.3 mm x 12 mm x 1 mm)
14.	11-054901-001		Hex Cap Tapping Screw
15.	11-051743-001		Hex LockNut (M6)
16.	11-052037-001		Flat Washer (6.4 mm x 18 mm x 1.6 mm)
17.	11-052936-001		Screw Socket Head Cap Screw
18.	11-051892-000		Torx Self Counter Sink
19.	55-098088-001		Support For End Lane & Division PC Guard
20.	55-098055-009		Assembly - Upper Bent Plate, Wide (Division)
20a.	55-098055-001		Upper Bent Plate, Wide (Plate Only)
21.	11-681174-000		Label - DANGER "NO STEP, NO STAND, NO SIT"
22.	55-098054-009		Assembly - Upper Bent Plate, Narrow (Ball Return)
22a.	55-098054-001		Upper Bent Plate, Narrow (Plate Only)

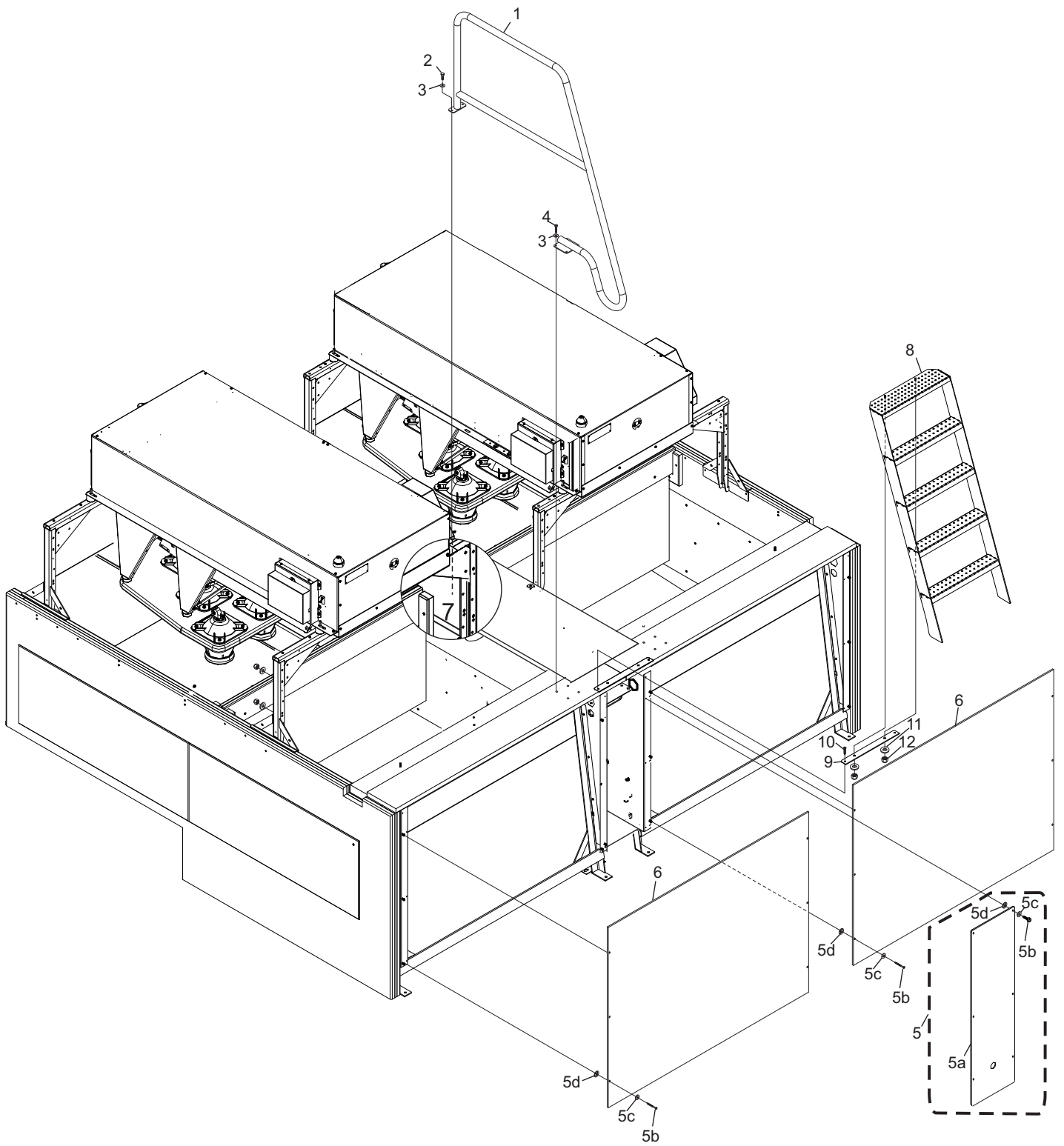
## Guards



## Guards

<b>Index No.</b>	<b>Part No.</b>	<b>Package / Order Reference</b>	<b>Description</b>
1.	55-278062-001		Rear Handrail
2.	11-051015-001		Hex Head Cap Screw (M8 x 25 mm)
3.	11-052006-001		Flat Washer
4.	11-051085-001		Hex Head Cap Screw (M8 x 45 mm)
5.	55-098093-009		Assembly - Ball Accelerator Guard
	5a. 55-098093-001		Ball Accelerator Guard Plate
	5b. 11-054901-001		Hex Cap Tapping Screw
	5c. 11-052020-001		Washer (5.3 mm x 12 mm x 1 mm)
	5d. 11-690553-000		Retainer - Push On
6.	55-278059-001		Back Guard Plate
7.	11-051744-001		LockNut (M8)
8.	55-278060-001		Ladder
9.	55-278170-003		Reinforcement Plate - For Rear Ladder
10.	11-051892-000		Torx Self Tap Counter Sink (M4.5 x 25 mm)
11.	11-052028-001		Flat Washer
12.	11-051745-001		LockNut (M10)

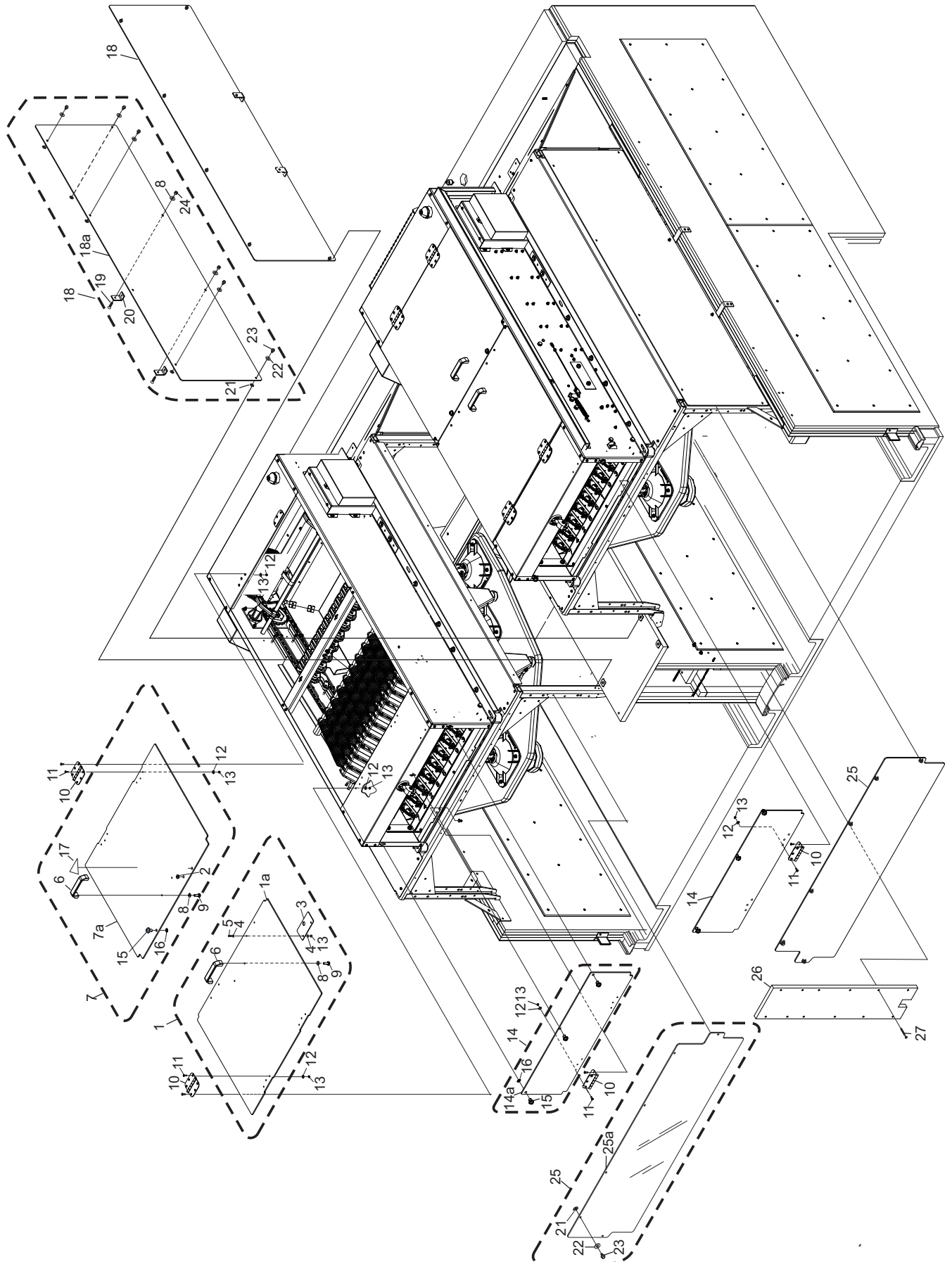
## Rear - Ladder, Handrail and Guards



**Rear - Ladder, Handrail and Guards**

Index No.	Part No.	Package / Order Reference	Description
1.	55-018110-009		Assembly - Upper PC Guard
	1a. 55-018110-000		Upper PC Guard (Plate Only)
2.	99-228264-000		Grommet
3.	55-018109-000		Mounting Plate
4.	11-052020-001		Flat Washer
5.	11-054813-001		Screw Button Head Cap Screw (M5 x 16 mm)
6.	47-085826-004		Handle
7.	55-018111-009		Assembly - Upper PC Guard
	7a. 55-018111-000		Upper PC Guard (Plate Only)
8.	11-052037-001		Flat Washer (M10)
9.	11-051035-001		Screw Hex Head Cap (M6 x 16 mm)
10.	11-077000-000		Hinge
11.	11-052947-001		Screw Flat Head Socket
12.	11-052039-001		Flat Washer
13.	11-051742-001		Locknut (M5)
14.	55-018114-009		Assembly - Front PC Guard
	14a. 55-018114-000		Front PC Guard (Plate Only)
15.	47-016383-004		Quick Loc Fastener
16.	47-015905-004		Quick Loc Retainer
17.	99-268200-003		Label Safety
18.	55-098065-009		Assembly Side PC Guard
	18a. 55-098091-001		Side PC Guard (Plate Only)
19.	11-051892-001		Torx Self Counter Sink Screw
20.	55-098087-001		Bracket
21.	11-690553-000		Push -On Retainer
22.	11-052020-001		Flat Washer
23.	11-054901-001		Screw Hex Head Cap Tapping (M4.8 x 16 mm)
24.	11-051743-001		Locknut (M6)
25.	55-098169-009		Assembly - Front Vertical PC Guard Plate
	25a. 55-098169-001		Front Vertical PC Guard (Plate Only)
26.	55-278147-000		Front Cover
27.	11-051893-000		Pan Head Screw (5 mm x 60 mm)

## Guards and Doors

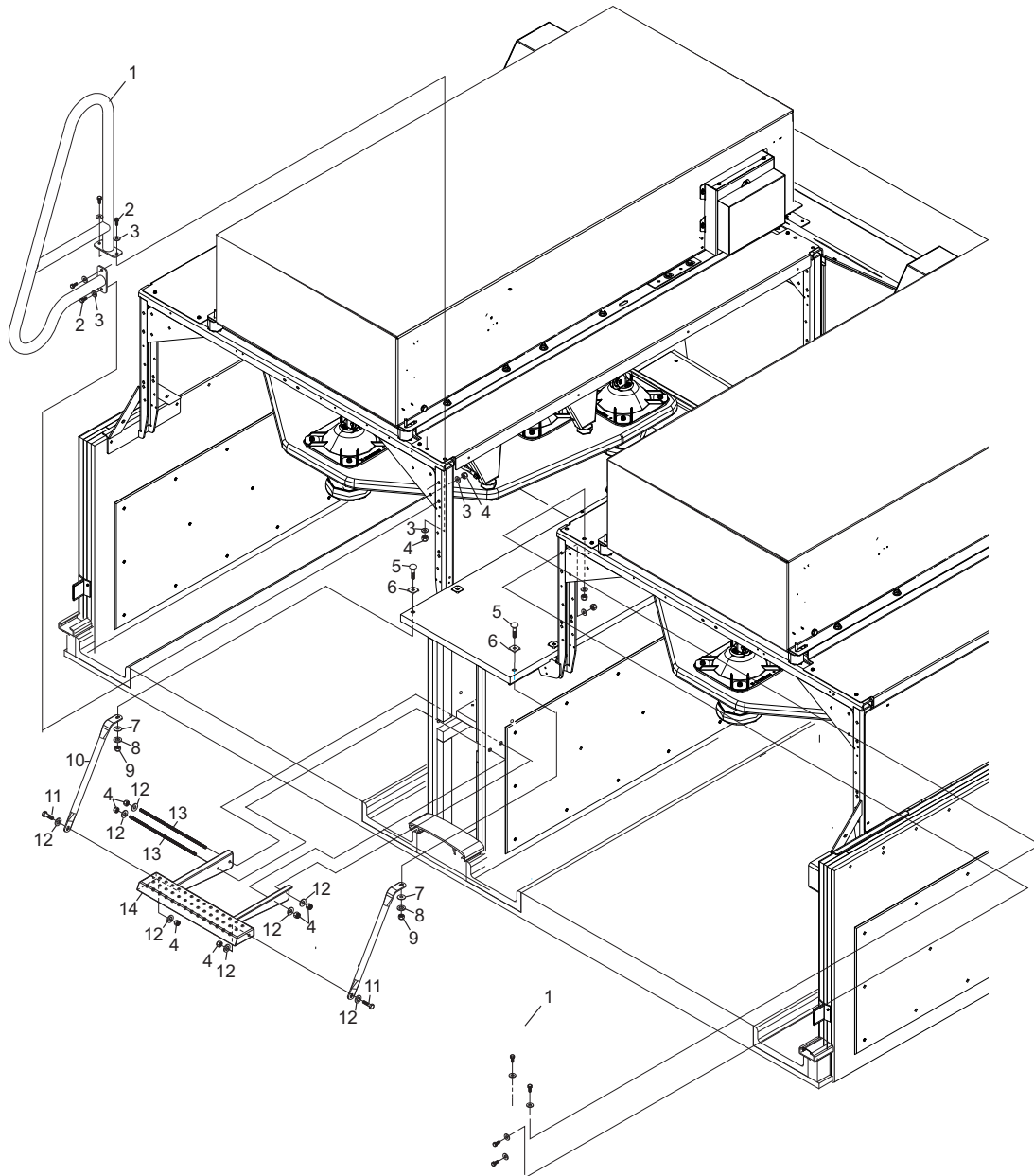


## Guards and Doors

<b>Index No.</b>	<b>Part No.</b>	<b>Package / Order Reference</b>	<b>Description</b>
1.	55-278068-001		Front Hand Rail
2.	11-051015-001		Hex Cap Screw (M8 x 25 mm)
3.	11-052006-001		Washer (8.4 mm x 20 mm x 2 mm)
4.	11-051744-001		Locknut (M8)
5.	11-052619-001		Carriage Bolt (M8 x 55 mm)
6.	11-278137-004		Square Washer
7.	11-052019-001		Flat Washer (8.4 mm x 24 mm x 2 mm)
8.	11-051770-001		Lock Washer (8.1 mm x 14.8 mm x 2 mm)
9.	11-051704-001		Hex Nut (M8)
10.	55-278089-001		Reinforce Tube for Front Step
11.	55-051010-001		Hex Head Cap Screw (M8 x 20 mm)
12.	11-052003-001		Flat Washer (8.4 mm x 16 mm x 1.6 mm)
13.	55-278134-004		Threaded Rod (M8 x 300 mm)
14.	55-278069-001		Front Step

## Front Hand Rails and Step

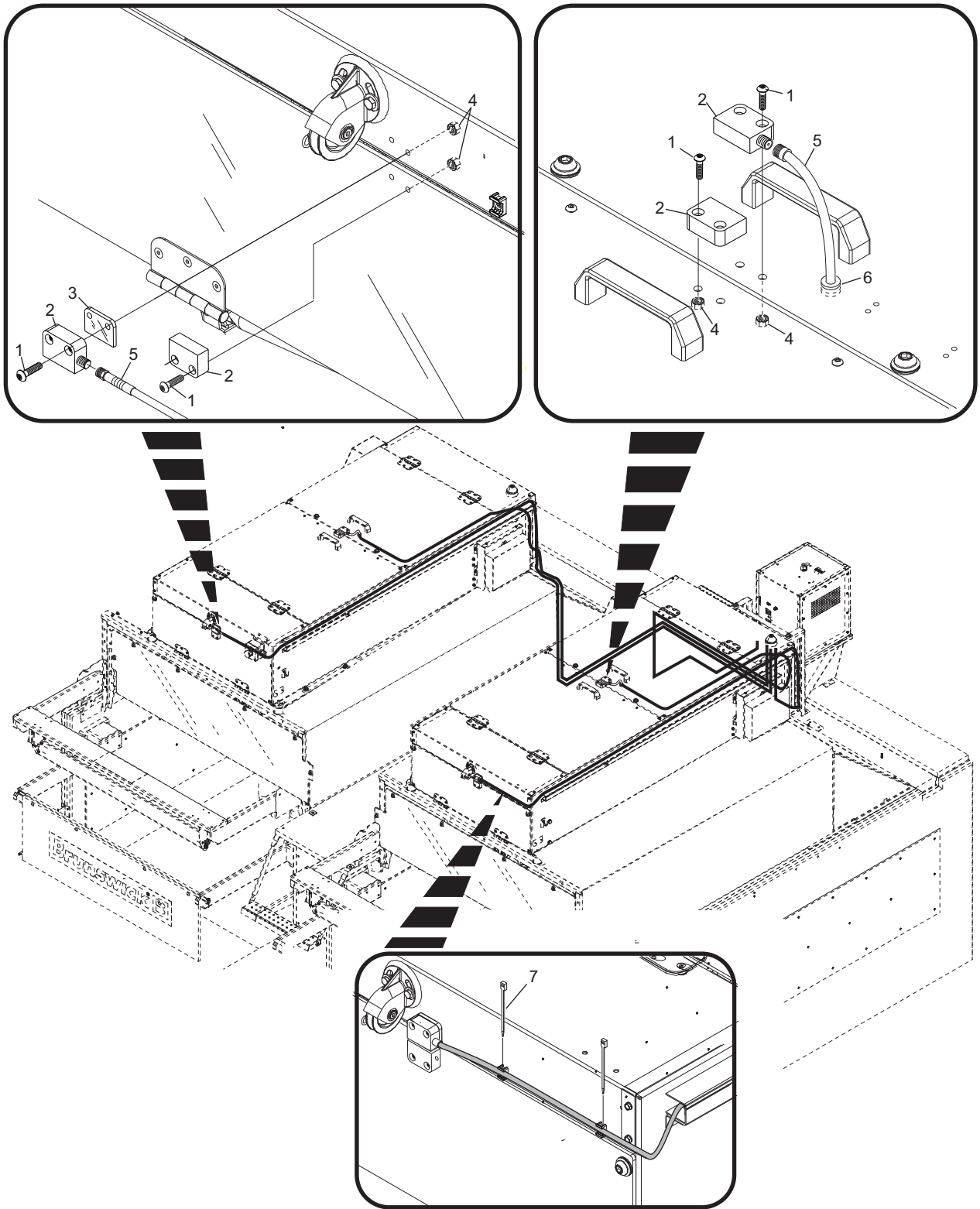




### Front Hand Rails and Step

<b>Index No.</b>	<b>Part No.</b>	<b>Package / Order Reference</b>	<b>Description</b>
1.	11-054915-000		Screw TORX Tamper Resistant (M4 x 0.7 mm x 20 mm)
2.	11-696016-000		Interlock Switch / Magnet
3.	55-098263-000		Spacer
4.	11-055477-001		Hex Nut w/External Tooth Lockwasher
5.	55-143079-000		Interlock Cable
6.	99-228264-000		Grommet
7.	11-603119-000		Cable Tie

## Magnetic Interlocks



## Magnetic Interlocks

Intentionally Blank Page