

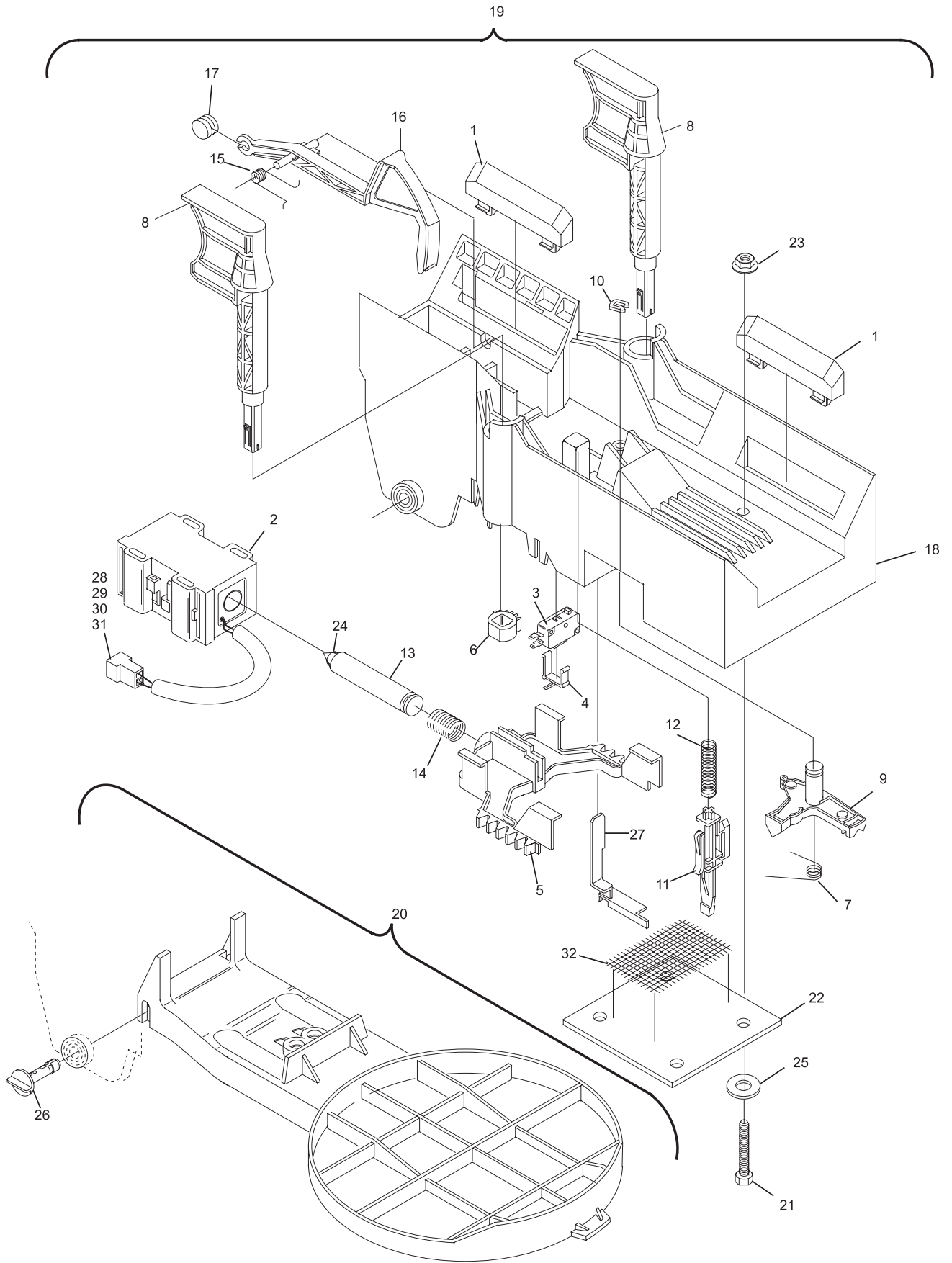
**Index**

<b>No.</b>	<b>Part No.</b>	<b>Description</b>
1.	47-050308-004	Damper
2.	99-060351-004	Solenoid - Only
3.	47-055323-004	Micro Switch
4.	47-055001-004	Clip (Micro Switch)
5.	47-054983-002	Drive
6.	47-054984-004	Gear
7.	47-055006-004	Torsion Spring
8.	47-054981-002	Pin Gripper
9.	47-054985-001	Switch Lever
10.	47-054986-004	Grip Ring
11.	47-054988-003	Switch Button
12.	47-055008-004	Tension Spring
13.	47-055004-004	Solenoid Plunger
14.	47-054987-004	Solenoid Spring
15.	47-055005-004	Tension Spring
16.	47-054982-002	Switch Finger
17.	47-052124-004	Counter Weight
18.	47-054980-001	N.A. Pin Holder Housing - Only
	47-054980-201	R.O. Pin Holder w/Damper
19.	47-055314-009	Pin Holder Assembly Complete - does not include index numbers 21, 22, 23, 25, 28, 29, 30, 31,32.
20.	47-054298-001	Pin Detector Plate w/Pin
21.	11-051014-001	Hex Hd. Cap Screw (6 mm x 45 mm)
22.	47-055003-004	Mount Plate
23.	11-055500-001	Hex Nut (6 mm)
24.	99-090349-004	O-Ring for Plunger
25.	11-055961-001	N.A. Washer
	47-861040-001	R.O. Washer (6.1 mm) Pkg. of 10
26.	47-860005-000	Pivot Pin (Pkg. of 10)
27.	47-055328-003	Connector Clip
28.	11-680206-000	Connector - Male (4 pos)
29.	11-680302-000	N.A. Terminal - Male
	57-860032-000	R.O. Terminal - Male (Pkg. of 10)
30.	11-680301-000	N.A. Terminal - Female
	57-860031-000	R.O. Terminal - Female (Pkg. of 20)
31.	11-680118-000	Connector - Switch (4 pos)
32.	47-055785-004	Steel Mesh

*N.A. = No Longer Available*

*R.O. = Replacement Option*

## GS-X/CPO Pin Holder Assembly



**GS-X/CPO Pin Holder Assembly**