

Index

No.	Part No.	Description
1.	99-020163-004	Tension Spring
2.	11-051743-001	Locknut (6 mm)
3.	47-071362-004	Bracket
4.	47-075147-003	Motor Mount Bracket
5.	99-010102-004	Bearing
6.	11-052036-001	Flat Washer (15 mm)
7.	11-054301-001	N.A. Hitch Pin
8.	47-861032-001	R.O. Cotter Pin (25 mm x 62 mm) Pkg. of 10
9.	11-051703-001	Hex Nut (10 mm)
10.	11-051771-001	Lockwasher (10 mm)
11.	11-053901-000	V-Belt (10 mm x 6 mm x 875 mm)
12.	*47-073862-004	Motor Drive Pulley (50 or 60 Hz)
13.	47-073785-004	N.A. Strap Joint
14.	11-053499-000	N.A. Key (4 mm x 4 mm x 18 mm)
15.	11-053101-000	Set Screw (6 mm x 8 mm)
16.	11-051028-001	Hex Hd. Cap Screw (6 mm x 25 mm)
17.	11-052048-001	Flat Washer (6.4 mm)
18.	N.A.	Motor (1/4 H.P., replaced by index number 28)
19.	11-053500-000	Key (4 mm x 4 mm x 20 mm)
20.	46-070378-004	N.A. Tension Spring
21.	N.A.	Brake Assembly
22.	47-071820-004	N.A. Shoe
23.	47-071558-004	N.A. Spiral Brake Pulley
24.	11-052802-001	Set Screw (5 mm x 8 mm)
25.	N.A.	Shaft (8 mm x 55 mm)
26.	11-053478-001	N.A. Speed Nut (8 mm)
27.	47-861050-000	R.O. Speed Nut (8 mm) Pkg. of 10
28.	11-052017-001	Flat Washer (8.4 mm)
29.	11-051059-001	Hex Hd. Cap Screw (10 mm x 110 mm)
30.	99-040241-004	N.A. Sweep Motor - Siemens Motor (1/4 H.P.) w/Integral Brake (230/380VAC)
31.	99-040293-004	R.O. Sweep Motor (1/4 H.P.) w/Integral Brake (208VAC)
32.	11-053617-001	Stop Collar (10 mm)
33.	47-073786-003	N.A. Shoe Holder
34.	11-680925-000	N.A. Strain Relief (all drum and external brake motors)
35.	11-055080-000	Strain Relief (all disc brake motors)
36.	99-070408-004	N.A. PCB for New Brake Motor
37.	**N/A	Brake Motor Repair Kit

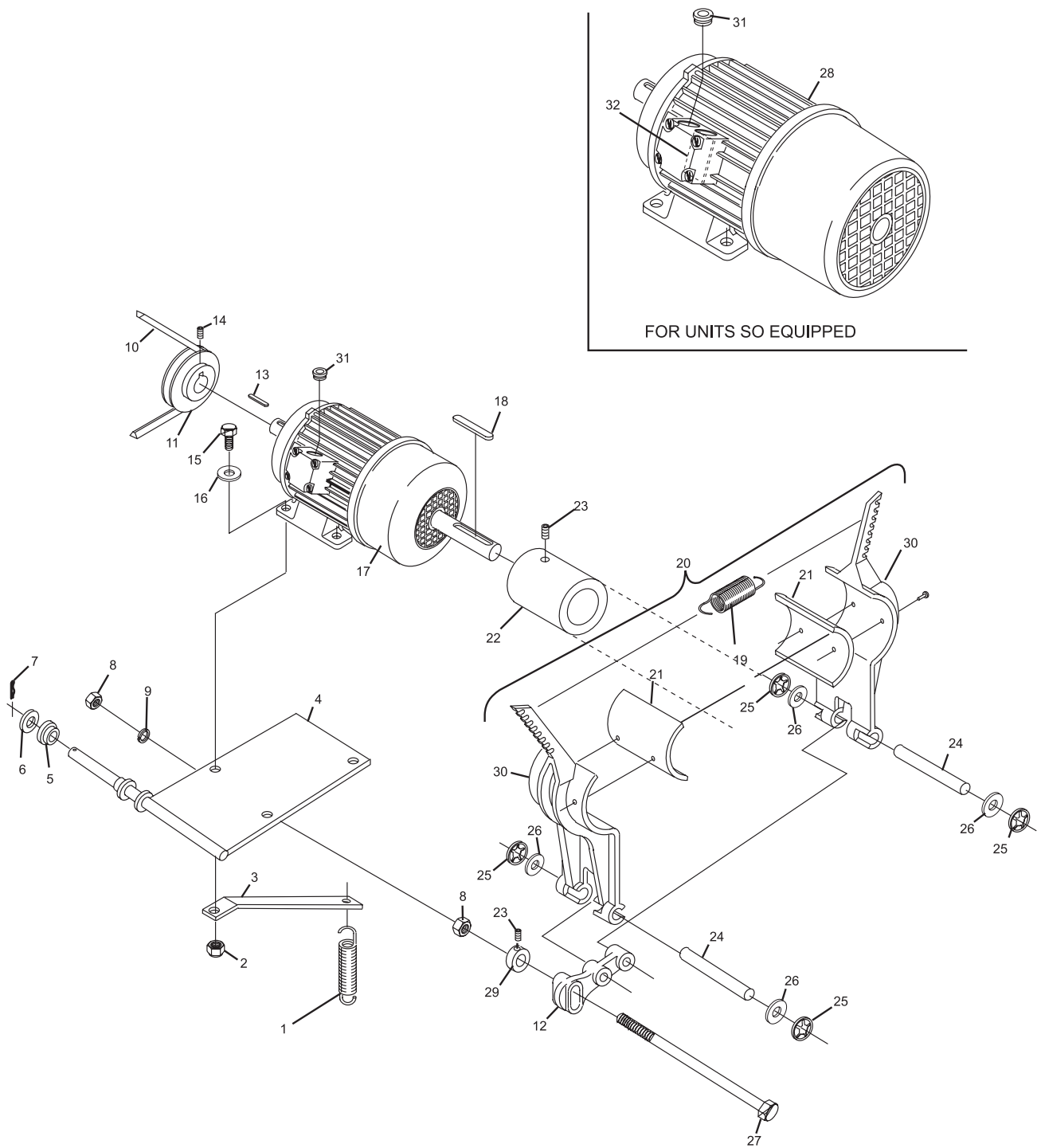
N.A. = No Longer Available

R.O. = Replacement Option

* Replaces 47-0711364-004 and 47-073739-004 Motor Drive Pulleys.

** Not Illustrated

Sweep Motor and Brake Assembly



Sweep Motor and Brake Assembly