

Index

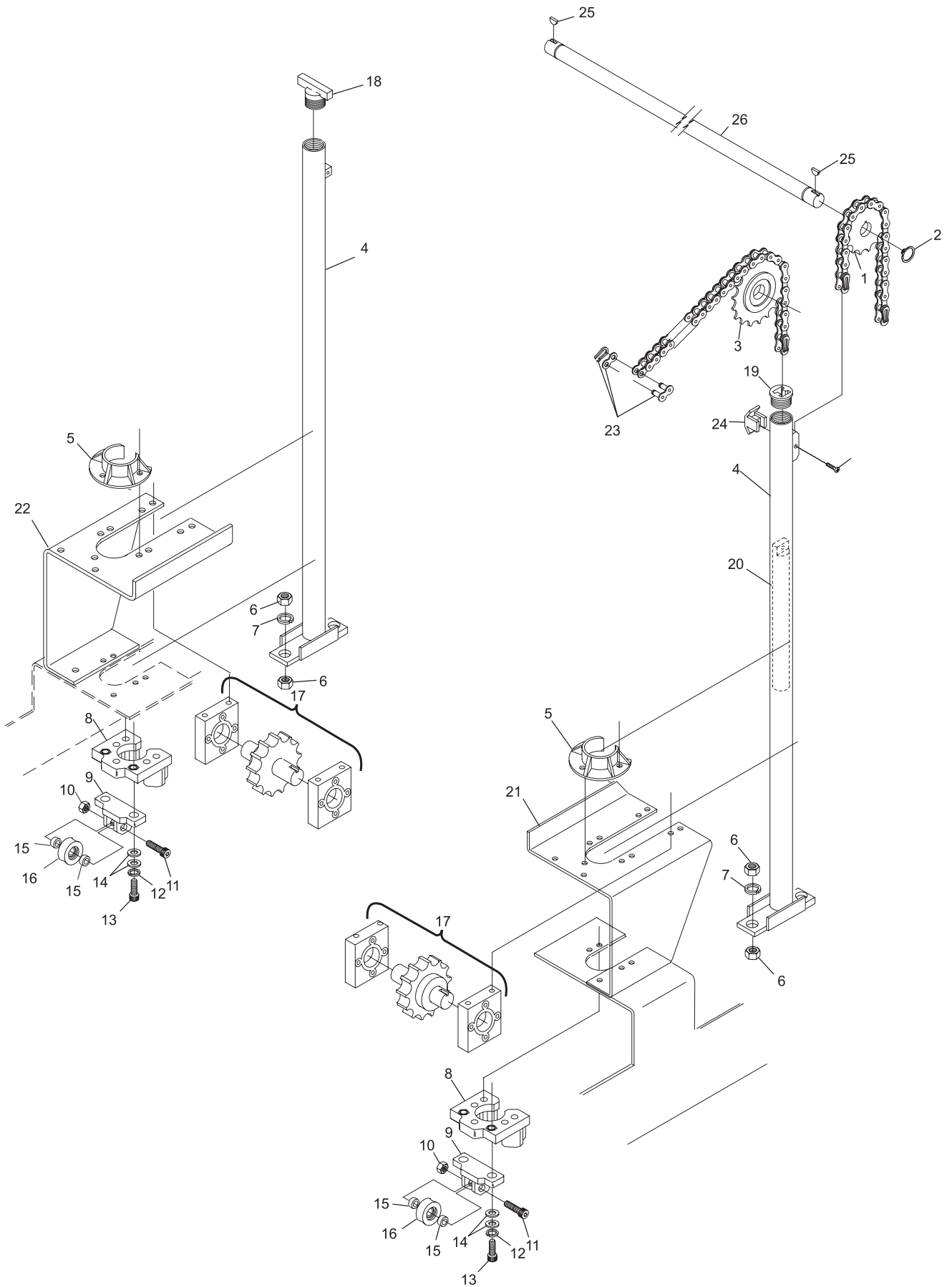
No.	Part No.		Description
1.	47-075474-004	N.A.	Chain Gear
	47-075474-009	R.O.	Chain Gear w/Set Screws
2.	11-051856-001		Retaining Ring (25 mm)
3.	47-011053-004		Sprocket
4.	47-055461-003		Tube
5.	47-085349-003		Tube Guide
6.	11-051707-001		Hex Nut (16 mm)
7.	11-055255-001		Ribbed Lockwasher (16 mm)
8.	47-071171-003		Roller Support (large)
9.	47-071170-003		Roller Support (small)
10.	11-051745-000	N.A.	Locknut (10 mm)
11.	11-051074-001	N.A.	Hex Head Cap Screw (10 mm x 45 mm)
12.	11-051771-001		Lockwasher (10 mm)
13.	11-051532-001		Socket Head Cap Screw (10 mm x 30 mm)
14.	11-052018-001		Flat Washer (10.5 mm)
15.	47-071162-004		Spacer Bushing
16.	47-071148-004		Roller
17.	47-075553-003	S.O.	Lower Chain Gear w/Bearing Block - Complete
18.	47-071871-003		T-Stop
19.	47-070401-004		Threaded Cap
20.	47-070386-004		Counter Weight
21.	47-085436-003		R.H. Support Bracket
22.	47-085430-003		L.H. Support Bracket
23.	11-600500-000		Master Link (3-pieces)
24.	47-055350-004		Out of Range Cam
25.	11-053503-000		Key (8 mm x 7 mm x 28 mm)
26.	47-075476-004		Shaft

N.A. = No Longer Available

R.O. = Replacement Option

S.O. = Special Order

**Table Rack and Roller Assembly
(Machine Series 443 and Above)**



**Table Rack and Roller Assembly
(Machine Series 443 and Above)**