

Index

No.	Part No.		Description
1.	11-053902-000		V-Belt (Setting Table Motor)
2.	11-053100-000		Set Screw (5 mm x 8 mm)
3.	*47-073866-004		Motor Drive Pulley (dual sheave, 50 or 60 Hz)
4.	11-053501-000		Key (5 mm x 5 mm x 25 mm)
5.	11-051028-001		Hex Hd. Cap Screw (6 mm x 25 mm)
6.	11-052048-001		Flat Washer (6.4 mm)
7.	99-040116-002	N.A.	Motor (1/2 H.P., 230VAC/380VAC)
	99-076365-000	R.O.	Motor (1/2 H.P., 230VAC/380VAC)
	99-040294-004		Motor (1/2 H.P., 208VAC)
8.	47-070167-004		Bracket
9.	47-075147-003		Motor Mount Bracket
10.	99-020163-004		Spring
11.	11-051743-001		Locknut (6 mm)
12.	99-010102-004		Bearing
13.	11-052036-001		Flat Washer (15 mm)
14.	11-054301-001	N.A.	Hitch Pin
	47-861032-001	R.O.	Cotter Pin (25 mm x 62 mm) Pkg. of 10
15.	11-680925-000	N.A.	Strain Relief (all drum brake motors)
	11-055080-000	N.A.	Strain Relief (all disc brake motors)
16.	11-051022-001		Hex Hd. Cap Screw (6 mm x 30 mm)
17.	11-055400-000		Circlip
18.	99-070408-004	N.A.	Motor PCB
19.	**99-070407-004	N.A.	New Brake Kit

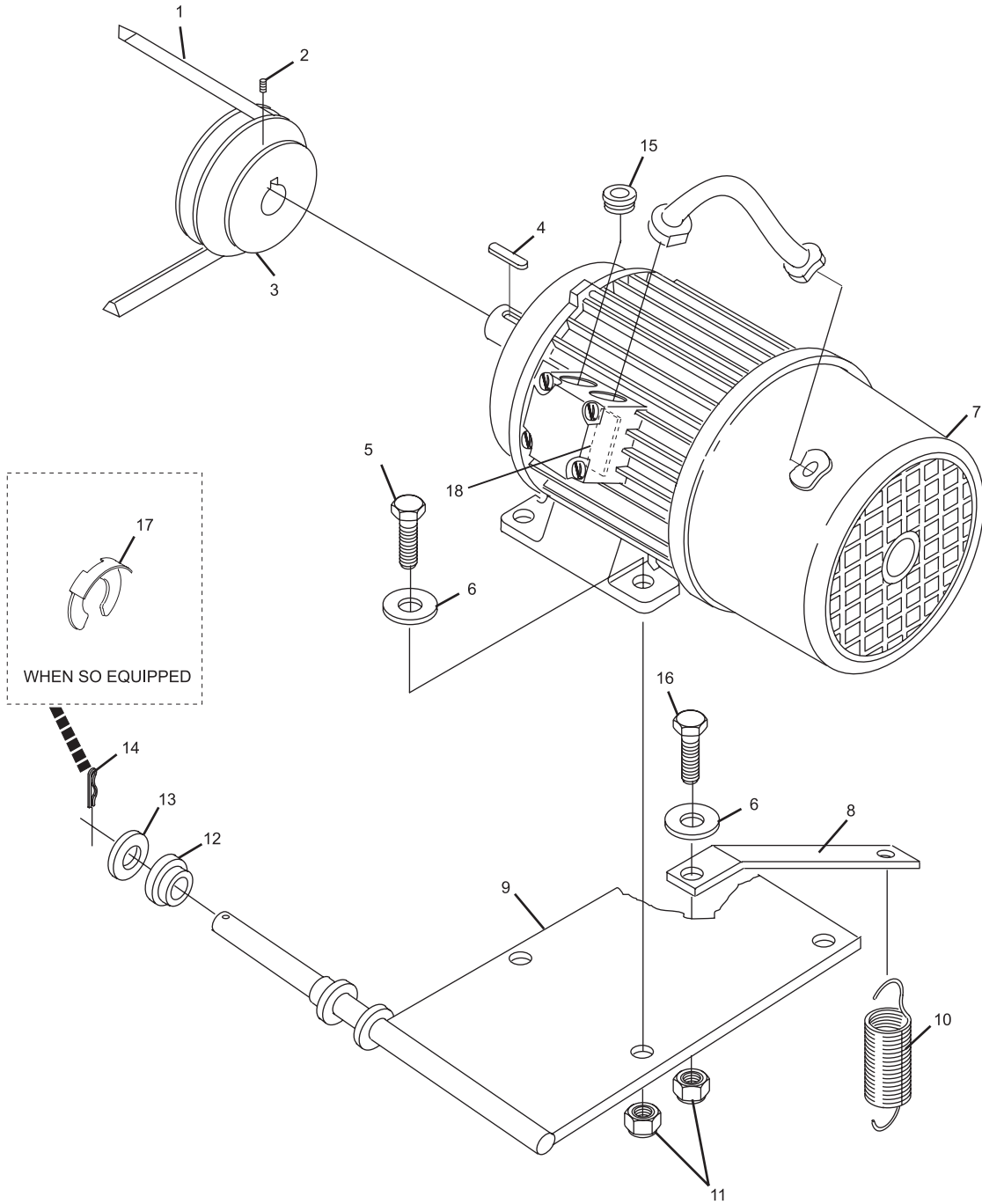
N.A. = No Longer Available

R.O. = Replacement Option

* Replaces 47-073740-004 and 47-071445-004 Single Sheave Motor Drive Pulleys.

** Not Illustrated

Setting Table Stop Motor and Mount Assembly



Setting Table Stop Motor and Mount Assembly