

**Index**

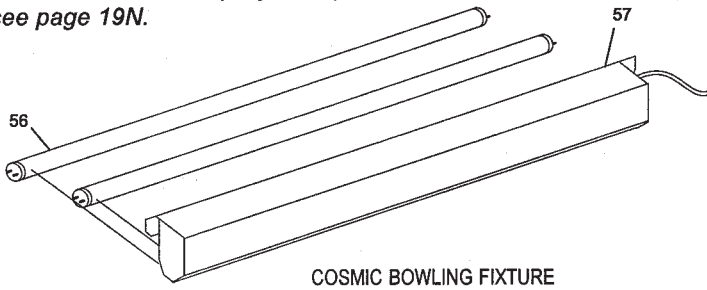
<b>No.</b>	<b>Part No.</b>	<b>Description</b>
1.	11-051005-001	Hex Hd. Cap Screw (10 mm x 20 mm)
2.	11-051055-001	Hex Head Screw (8 mm x 60 mm)
3.	47-080207-003	Angle Bracket
4.	47-080206-004	Common Mounting Plate
5.	11-052453-001	N.A. Flat Hd. Wood Screw (8 mm x 60 mm)
	11-052552-001	R.O. Phillips Screw (M8 x 60 mm)
6.	47-082375-002	L.H. Side Frame
7.	11-051771-001	Lockwasher (10 mm)
8.	47-081164-004	N.A. L.H. Support Brace
9.	11-051035-001	Hex Hd. Cap Screw (6 mm x 16 mm)
10.	11-051769-001	Lockwasher (6 mm)
11.	11-051702-001	Hex Nut (6 mm)
12.	47-082379-004	N.A. Rear Brace Supports
13.	47-082377-001	N.A. Upper Rear Cross Brace
14.	11-051038-001	Hex Hd. Cap Screw (8 mm x 16 mm)
15.	11-051770-001	Lockwasher (8 mm)
16.	11-051704-001	Hex Nut (8 mm)
17.	47-081251-004	N.A. U-Bracket
18.	47-081256-004	N.A. R.H.Support
19.	47-082376-002	R.H. Side Frame
20.	47-080201-001	N.A. Front Frame Support (all GS-Series)
21.	47-081961-003	N.A. Support Strap
	47-083659-004	R.O. New Style Support Straps (index No. 42)
22.	47-082128-003	Catwalk
23.	11-052603-001	Carriage Bolt (8 mm x 45 mm)
24.	47-081857-002	N.A. Electrical Box Mounting Plate
25.	47-084955-002	Cable Channel
26.	47-083506-003	L.H. Catwalk Support
27.	11-051745-001	Locknut (10 mm)
28.	11-051010-001	Hex Hd. Cap Screw (8 mm x 20 mm)
29.	11-051744-001	Locknut (8 mm)
30.	11-053575-000	Rubber Mount
31.	11-053576-000	Rubber Mount
32.	47-081960-003	R.H. Catwalk Support
33.	11-051509-001	Socket Hd. Cap Screw (6 mm x 12 mm)
34.	11-052048-001	Flat Washer (6.4 mm)
35.	11-051539-001	Socket Hd. Cap Screw (4 mm x 6 mm)
36.	99-050229-004	Switch Assembly Complete (red box only)
37.	11-052019-001	Flat Washer (8.4 mm)
38.	47-082378-003	N.A. Lower Rear Cross Brace
39.	47-082135-002	N.A. Pin Lamp Assembly Guard
	47-223075-004	N.A. Pin Light & Bulb Assembly
40.	47-091316-003	N.A. Pin Deflector (for Single Feed Distributors only)
41.	47-081664-004	New Style Support Brace
42.	47-083659-004	New Style Support Strap
43.	47-083667-003	Electrical Box Mounting Plate (silver box)
44.	47-223075-004	N.A. Pin Lamp Assembly Complete (silver box)
45.	47-203152-000	Bulb (White)
46.	47-203147-000	Starter
47.	N.A.	Plug
48.	*N.A.	Quick-Lock Fastener Receptacle (w/Retaining Nuts)
49.	*11-601800-000	N.A. Quick-Lock Fastener Stud
50.	11-052050-001	Flat Washer (10.5 mm)
51.	47-083662-004	N.A. Angle Bracket
52.	11-051001-001	Hex Hd. Cap Screw (6 mm x 12 mm)
53.	11-051743-001	Locknut (6 mm)
54.	11-052008-001	Flat Washer (6.4 mm x 12.5 mm x 1.6 mm)
55.	84-200073-000	Barrel Nut
56.	12-862933-000	Black Light Bulb - Pkg. of 6
57.	12-862922-000	Dual Lamp Assembly w/Bulbs

*N.A. = No Longer Available*  
*R.O. = Replacement Option*

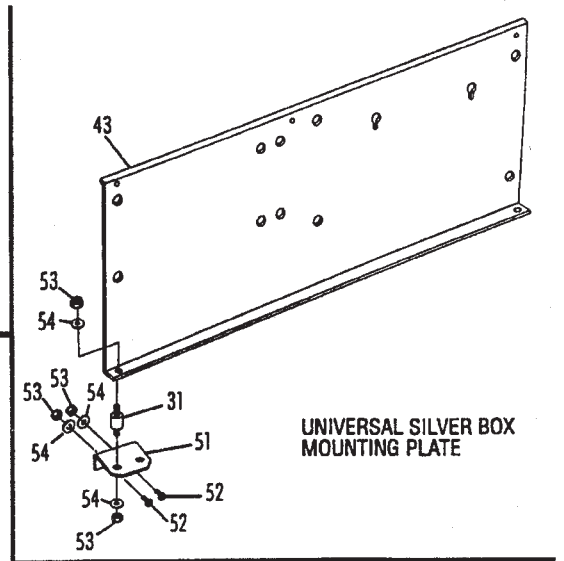
\* Not Illustrated

**Frame Assembly (GS-96 and Below)**

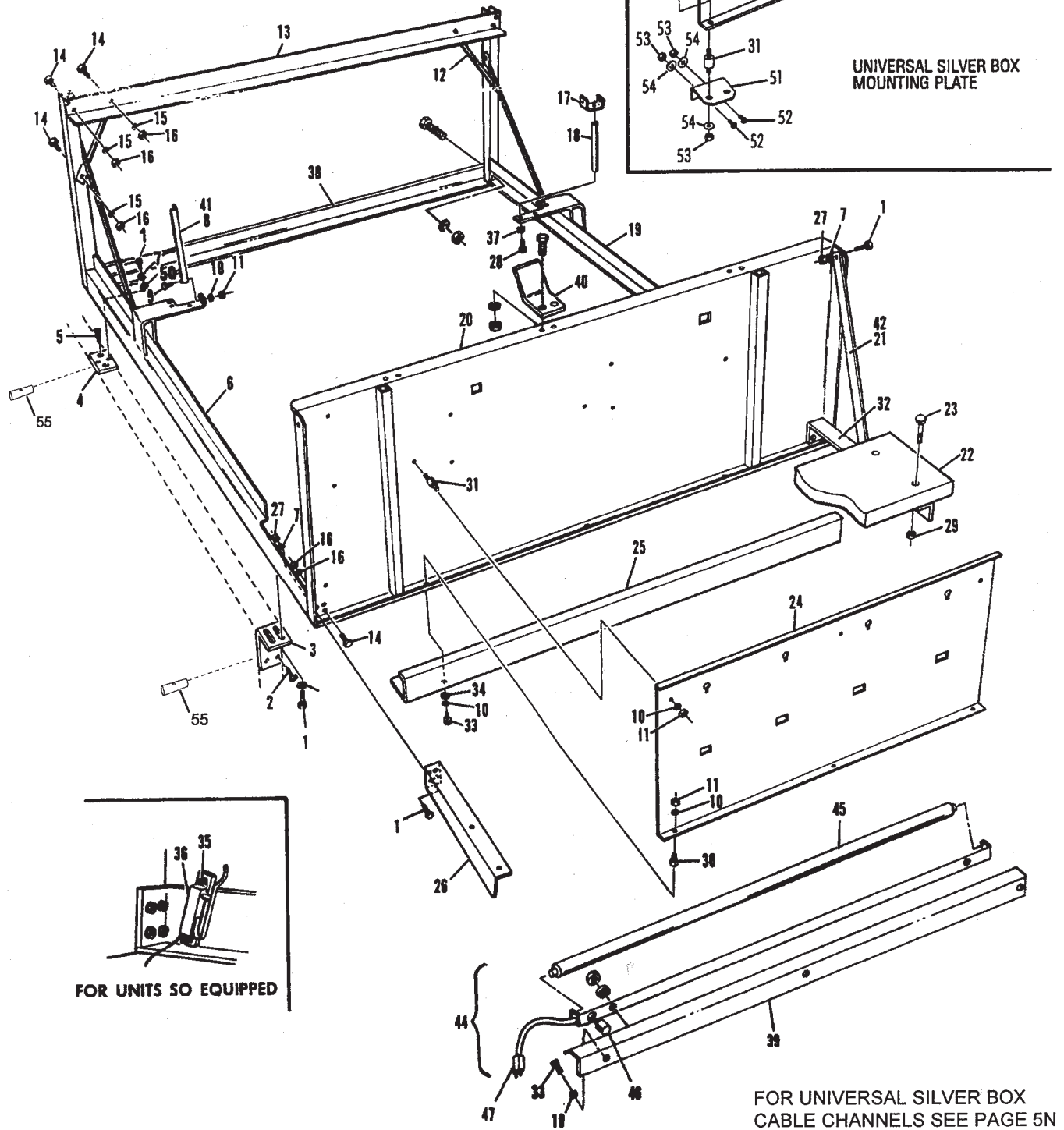
**NOTE:** For Dual Lamp System (Machine Series 424 and Above), see page 19N.



COSMIC BOWLING FIXTURE



UNIVERSAL SILVER BOX MOUNTING PLATE



FOR UNITS SO EQUIPPED

FOR UNIVERSAL SILVER BOX CABLE CHANNELS SEE PAGE 5N

**Frame Assembly (GS-96 and Below)**