

Index

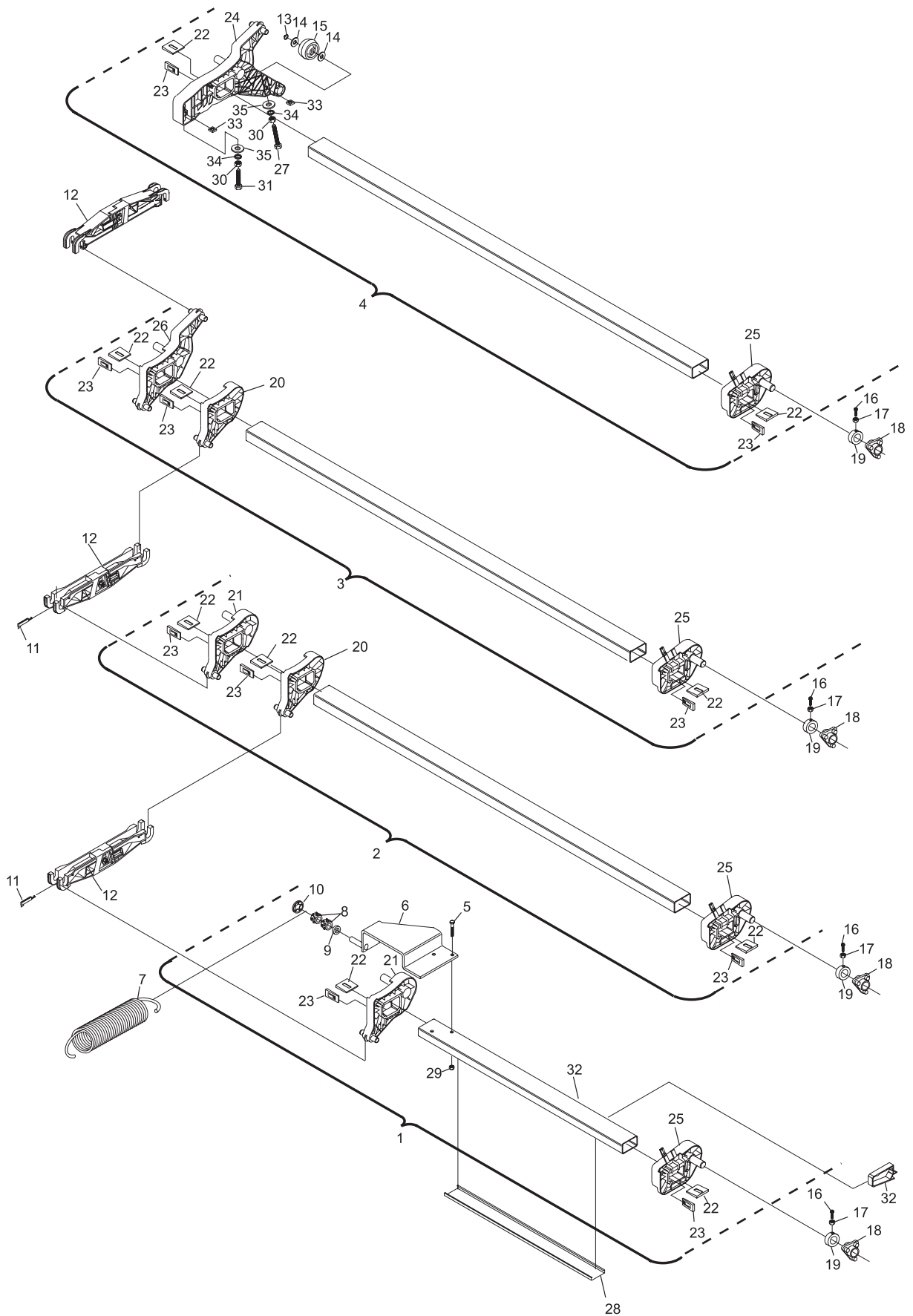
No.	Part No.	Description
1.	47-055316-002	Shaft Assembly
2.	47-055318-002	Shaft Assembly
3.	47-055324-002	Shaft Assembly
4.	47-055326-002	Shaft Assembly
5.	11-051007-001	Hex Hd. Cap Screw (6mm x 40 mm)
6.	47-055321-003	Spring Bracket
7.	47-052240-004	Tension Spring
8.	47-041813-004	Bushing
9.	47-071162-004	Spacer Bushing
10.	11-053480-001	Speed Nut (10 mm)
11.	47-054997-003	Pin
12.	47-055002-002	Link Assembly
13.	11-051851-000	Retaining Ring
14.	11-052024-001	N.A. Flat Washer (13 mm)
	47-861010-001	R.O. Flat Washer (13 mm) Pkg. of 20
15.	47-051295-004	Roller
16.	11-051522-001	Socket Hd. Cap Screw (5 mm x 16 mm)
17.	11-051701-001	Hex Nut (5 mm)
18.	46-050305-004	Plastic Bearing
19.	47-055009-004	Stop Collar
20.	47-054992-002	Lever
21.	47-054991-001	Lever
22.	47-055320-003	Wedge (large)
23.	47-055319-003	Wedge (small)
24.	47-054989-001	Lever (7-10 pin)
25.	47-054993-001	Lever
26.	47-054990-001	Lever
27.	11-051054-001	Hex Head Cap Screw (8 mm x 60 mm)
28.	*47-055332-004	Channel Cover (1030 mm)
29.	11-051743-001	Lock Nut (6 mm)
30.	11-051704-001	Hex Nut (8 mm)
31.	11-051026-001	Hex Head Cap Screw (8 mm x 40 mm)
32.	47-055327-001	Cable Support/Holder
33.	11-055900-001	Square Nut (8 mm)
34.	11-051770-001	Lockwasher (8 mm)
35.	11-052003-001	Flatwasher (8.4 mm)

N.A. = No Longer Available

R.O. = Replacement Option

* Channel Cover is 1030 mm long. Cut to fit index number 1, 2, 3 or 4 as necessary.

GS-X/CPO Setting Table Swing Shafts



GS-X/CPO Setting Table Swing Shafts