

**Index**

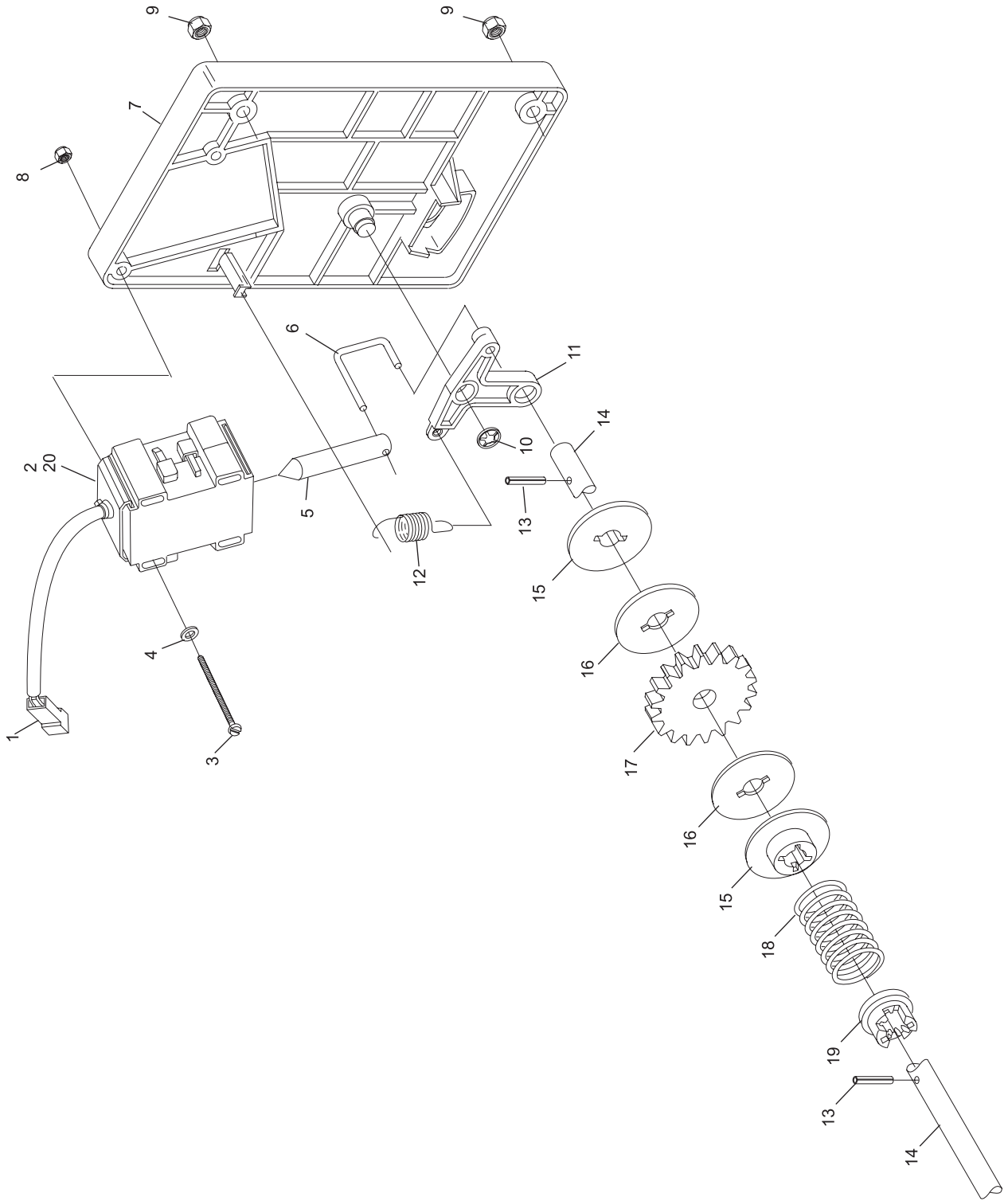
| <b>No.</b> | <b>Part No.</b> | <b>Description</b>                                             |
|------------|-----------------|----------------------------------------------------------------|
| 1.         | N.A.            | Plug Only                                                      |
| 2.         | *99-060219-004  | Solenoid Assembly w/Plug (red box)                             |
| 3.         | 11-052202-001   | Slotted Machine Screw (5 mm x 55 mm)                           |
| 4.         | 11-052039-001   | Flat Washer (5.3 mm)                                           |
| 5.         | 99-060133-004   | Plunger                                                        |
| 6.         | 47-071865-004   | Connecting Link                                                |
| 7.         | 47-075128-002   | Solenoid Holder                                                |
| 8.         | 11-051742-001   | Locknut (5 mm)                                                 |
| 9.         | 11-051745-001   | Locknut (10 mm)                                                |
| 10.        | 11-053478-001   | N.A. Speed Nut (8 mm)                                          |
|            | 47-861050-000   | R.O. Speed Nut (8 mm) Pkg. of 10                               |
| 11.        | 47-075130-003   | Pivot Lever Plate                                              |
| 12.        | 47-071866-004   | Tension Spring                                                 |
| 13.        | 11-052688-001   | Roll Pin (3 mm x 18 mm)                                        |
| 14.        | 47-071883-004   | Clutch Shaft                                                   |
| 15.        | 47-071863-004   | Spring Retainer                                                |
| 16.        | 47-071864-004   | Clutch Disc                                                    |
| 17.        | 47-071862-004   | Clutch Gear                                                    |
| 18.        | 47-071868-004   | Compression Spring                                             |
| 19.        | 47-071869-003   | Spring Tightener                                               |
| 20.        | *47-243030-004  | N.A. Solenoid Assembly w/Plug<br>(silver and consolidated box) |
|            | 99-070356-004   | R.O. Solenoid                                                  |

*N.A. = No Longer Available*

*R.O. = Replacement Option*

\* Does not include Index No. 5, Plunger

## **Gear Cluster Assembly (GS-96/GS-98/GS-X)**



**Gear Cluster Assembly  
(GS-96/GS-98/GS-X)**